



US00D600727S

(12) **United States Design Patent**
Apotheloz et al.

(10) **Patent No.:** **US D600,727 S**
(45) **Date of Patent:** **** Sep. 22, 2009**

- (54) **OPERATION TERMINAL FOR A MICROSCOPE**
- (75) Inventors: **Christophe Apotheloz**, Zurich (CH);
Matthias Heimmermann, Wolfenbuettel (DE);
Markus Missall, Braunschweig (DE);
Sandra Scholz, Hannover (DE)
- (73) Assignee: **Leica Microsystems (Schweiz) AG**,
Heerbrugg (CH)

(**) Term: **14 Years**

(21) Appl. No.: **29/309,785**

(22) Filed: **Oct. 10, 2008**

(30) **Foreign Application Priority Data**

Apr. 11, 2008 (DE) 40 2008 001 825

(51) **LOC (9) Cl.** **16-06**

(52) **U.S. Cl.** **D16/131**

(58) **Field of Classification Search** D16/130,
D16/133, 136, 225, 232; D14/496, 423;
D21/329, 330; D24/232, 234; 353/39, 63,
353/64, 72, 76, 71, 78, 27 R, 101; 359/369,
359/376; D10/61, 81; 348/63; 352/104,
352/133

See application file for complete search history.

(56) **References Cited**

U.S. PATENT DOCUMENTS

- D197,419 S * 1/1964 Preble, Jr. D16/225
- 3,205,770 A * 9/1965 Koch et al. 353/39
- D204,964 S * 5/1966 Wally, Jr. D16/225
- D219,405 S * 12/1970 Nemesnyik D16/235

- 4,094,598 A * 6/1978 Hodges 353/76
- 4,136,935 A * 1/1979 Cook et al. 352/104
- 4,410,248 A * 10/1983 Schaefer et al. 353/27 R
- 4,423,933 A * 1/1984 Behr et al. 353/27 R
- 4,444,475 A * 4/1984 Yamada 359/369
- 4,621,913 A * 11/1986 Yamada et al. 353/39
- D359,059 S * 6/1995 Omi D16/131
- D369,654 S * 5/1996 Chiu et al. D23/356
- 5,694,242 A * 12/1997 Omi 359/369
- D476,020 S * 6/2003 Chih D16/131
- D494,074 S * 8/2004 Ishii D10/66
- 7,336,295 B2 * 2/2008 Sukenari et al. 348/63
- D564,033 S * 3/2008 Itskov et al. D21/329

* cited by examiner

Primary Examiner—Paula Greene

(74) *Attorney, Agent, or Firm*—Crowell & Moring LLP

(57) **CLAIM**

The ornamental design for a operation terminal for a microscope, as shown and described.

DESCRIPTION

FIG. 1 is a right, front perspective view of a operation terminal for a microscope according to our novel design, the left, front perspective view being mirror symmetrical;

FIG. 2 is a left side view thereof;

FIG. 3 is a right side view thereof;

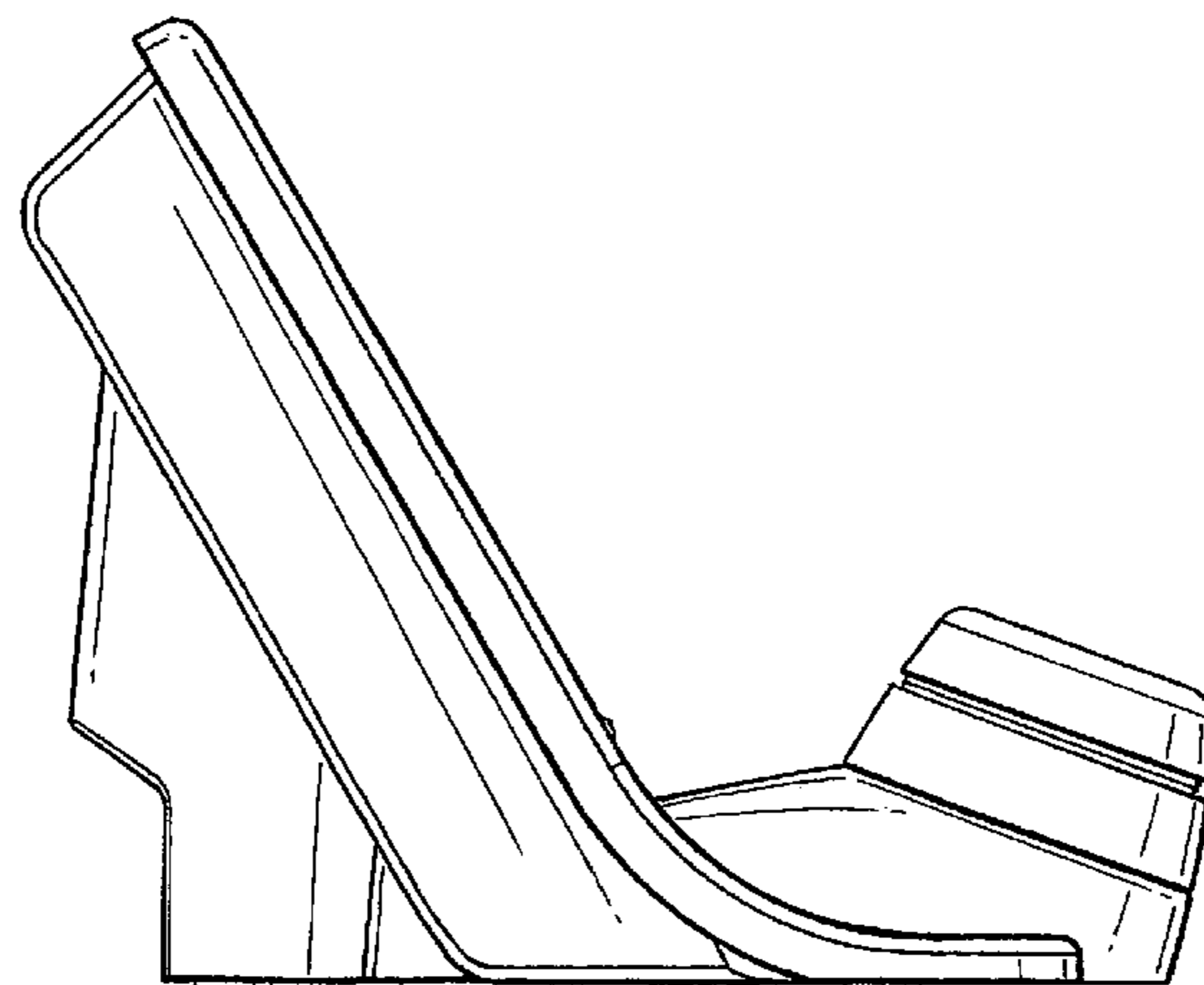
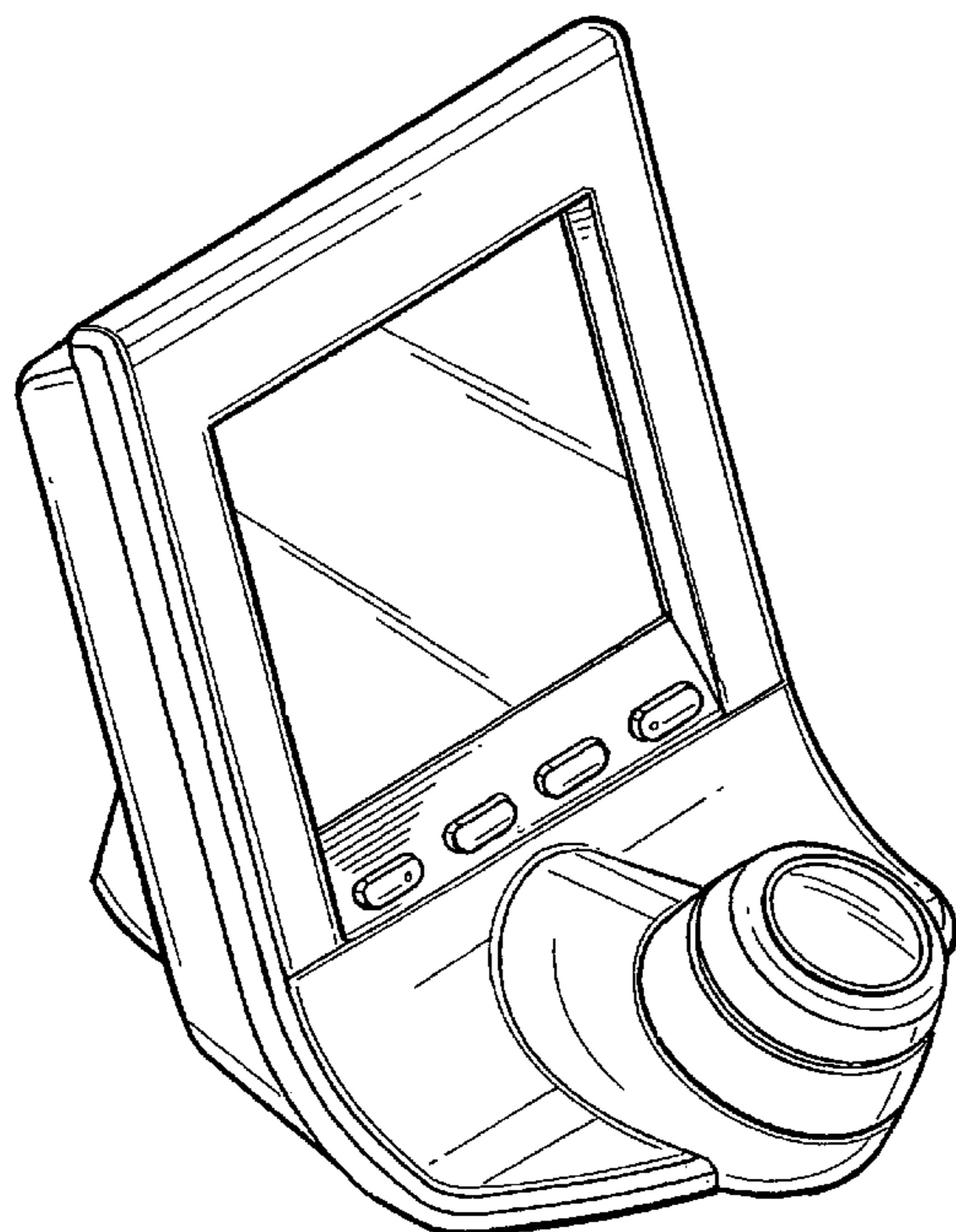
FIG. 4 is a front view thereof;

FIG. 5 is a rear view thereof;

FIG. 6 is a top view thereof; and,

FIG. 7 is a bottom view thereof.

1 Claim, 5 Drawing Sheets



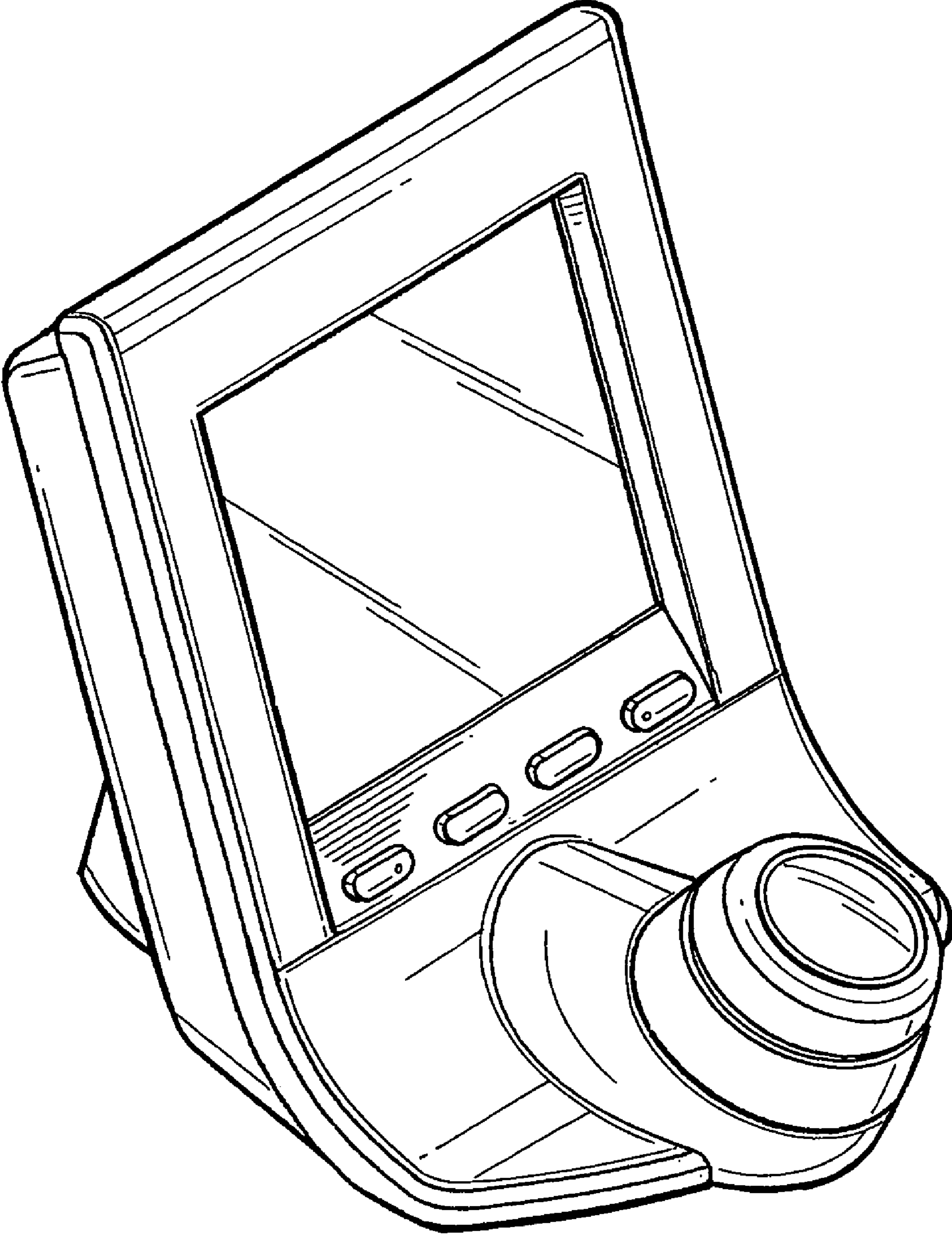


FIG. 1

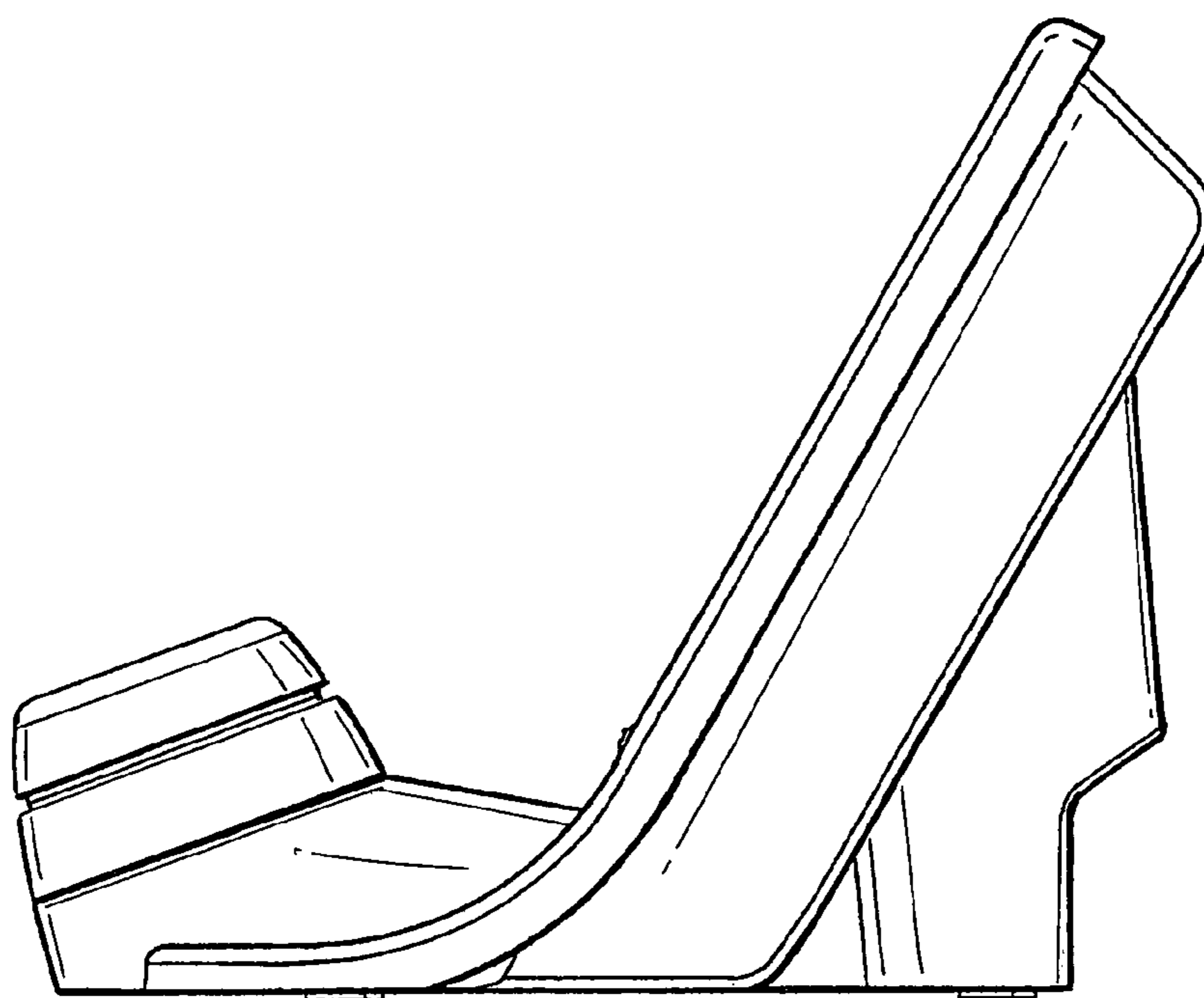


FIG. 2

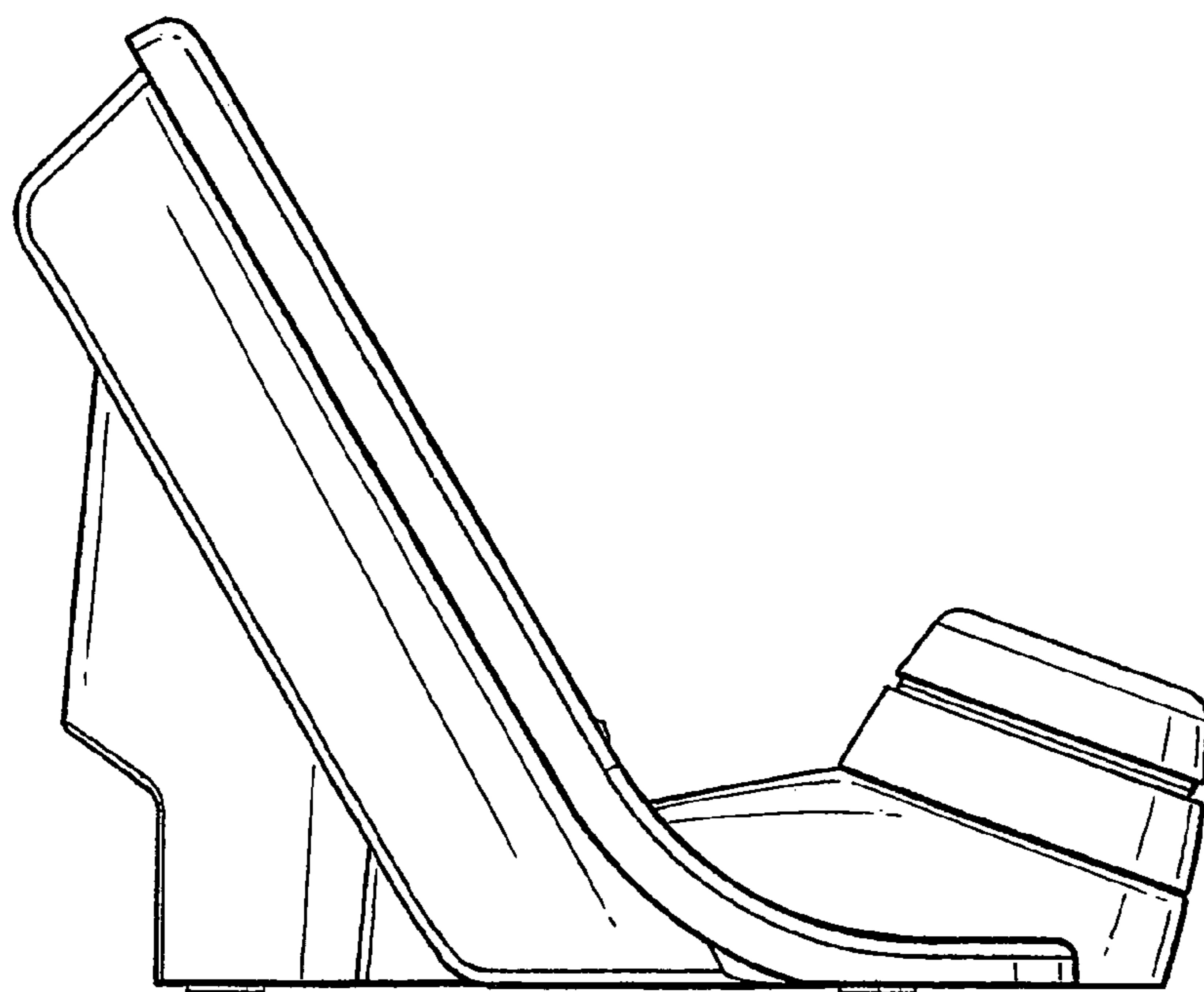


FIG. 3

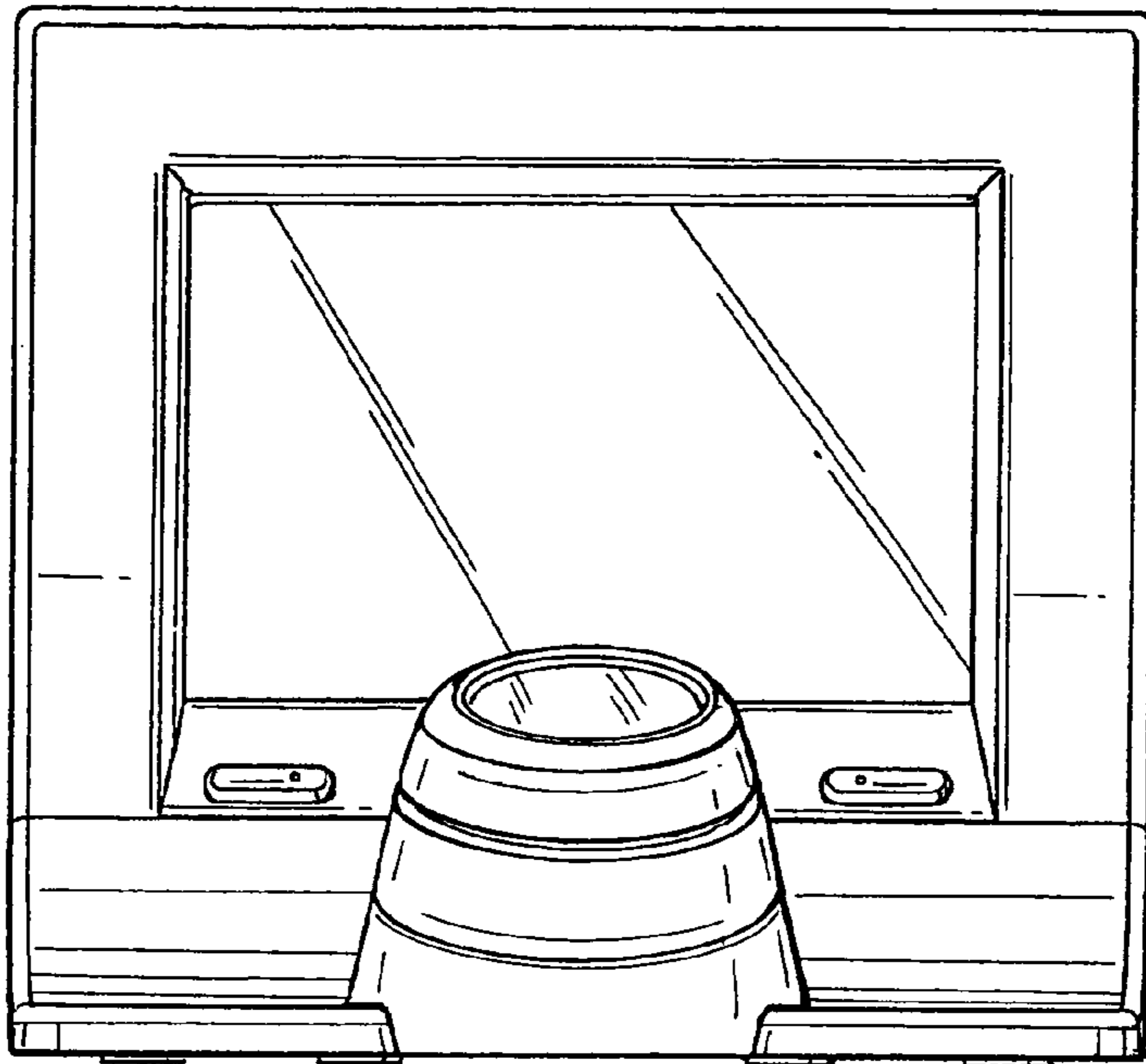


FIG. 4

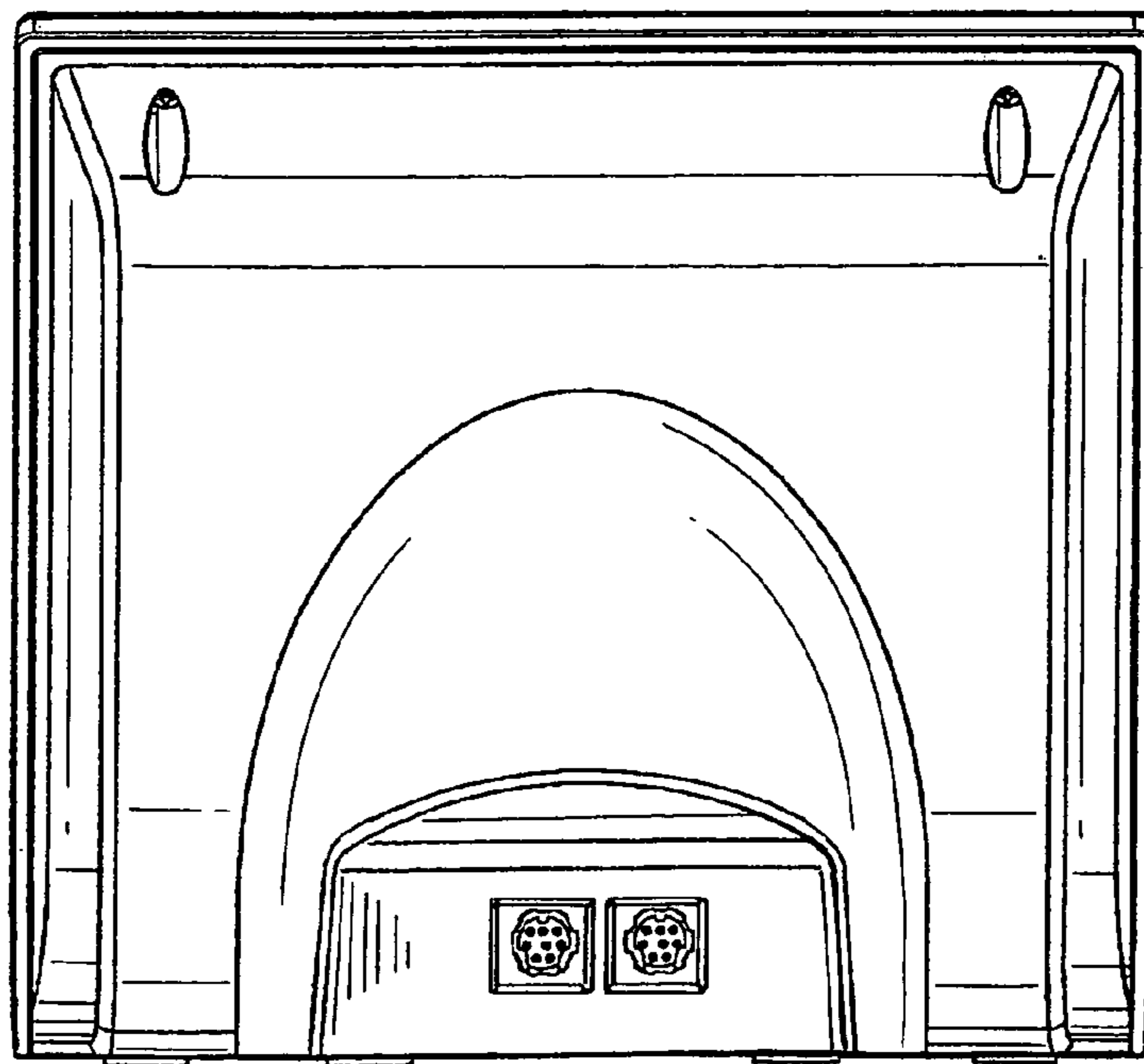


FIG. 5

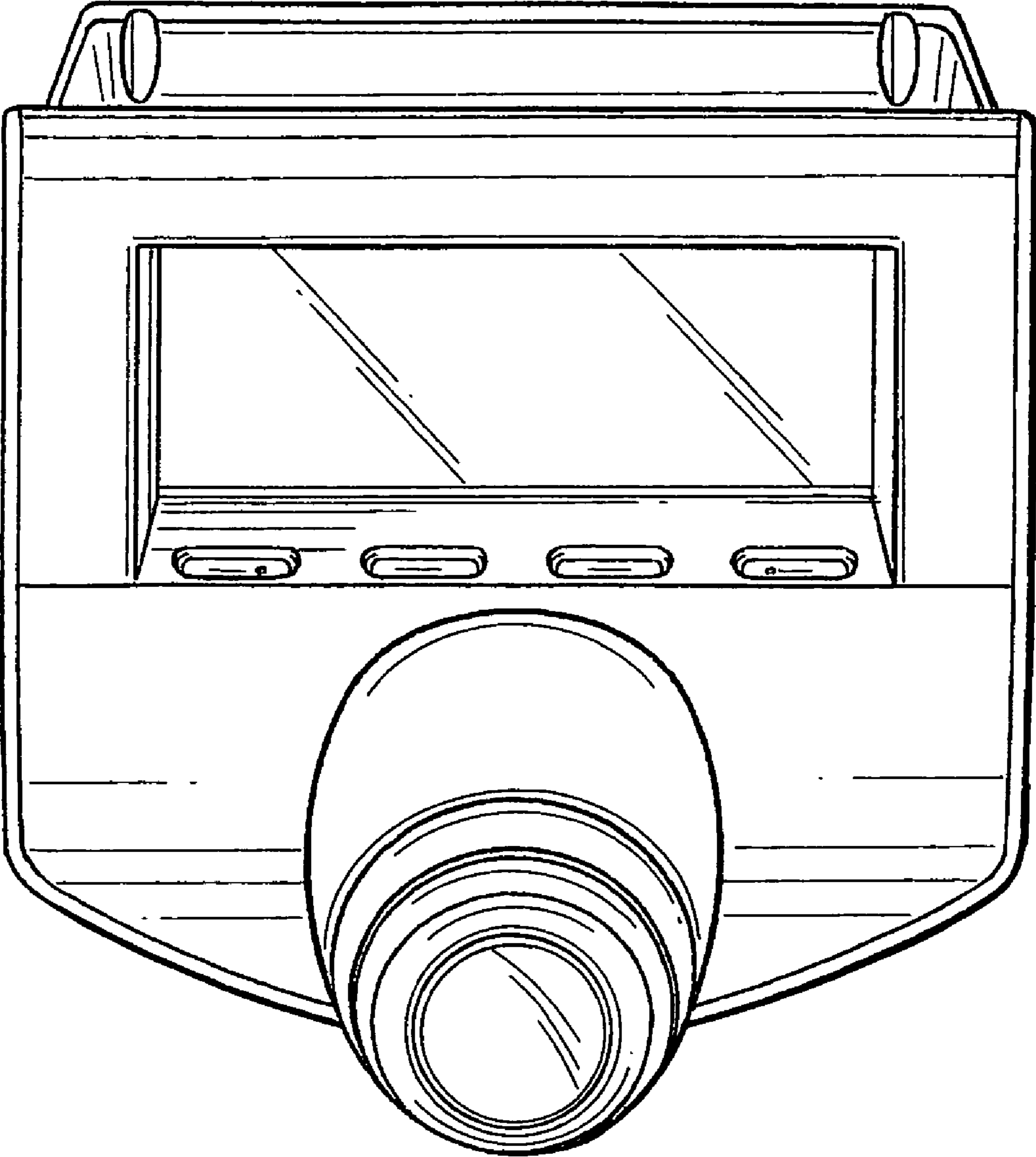


FIG. 6

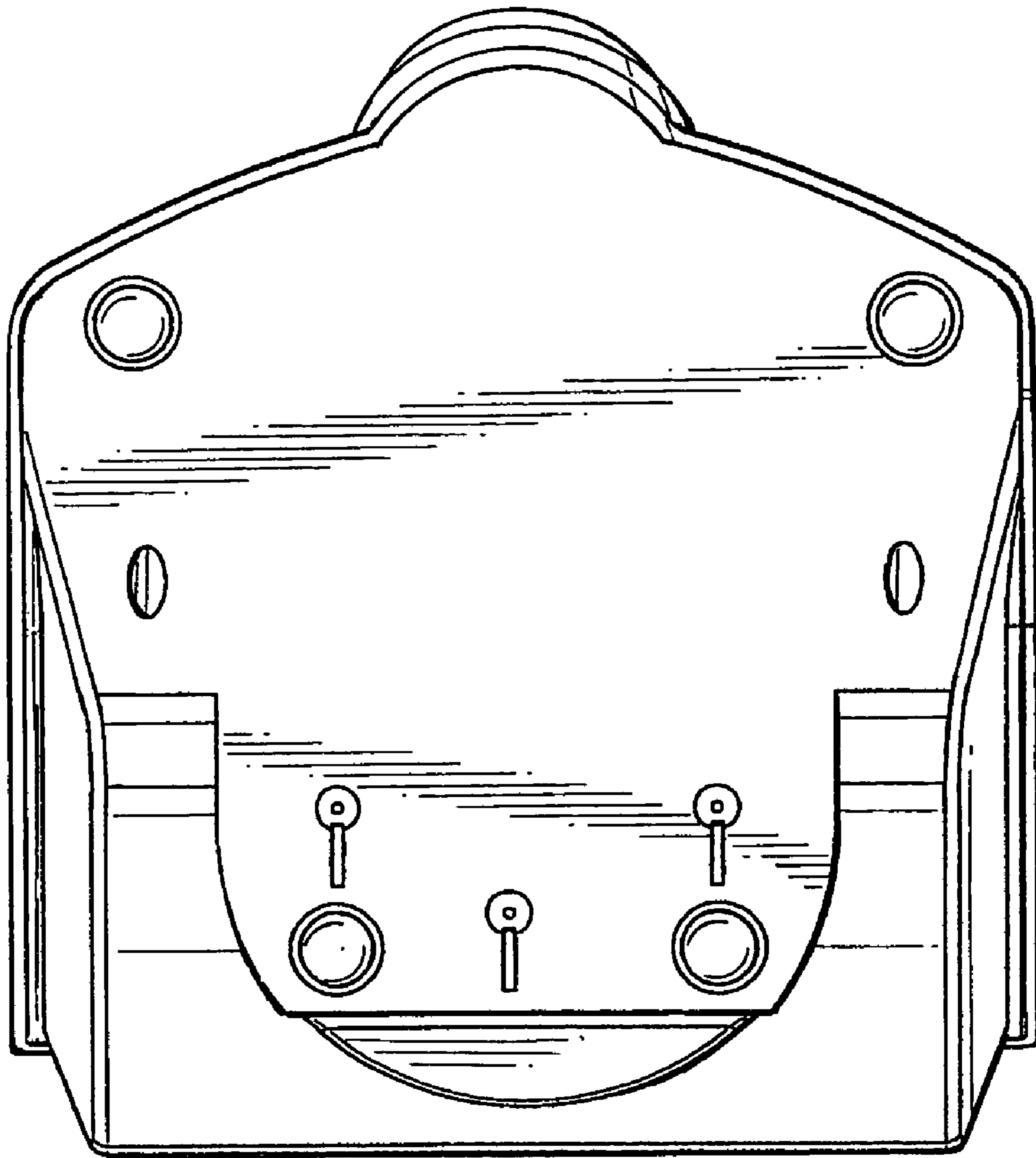


FIG. 7