

US00D600725S

(12) **United States Design Patent**  
**Iwai**

(10) **Patent No.:** **US D600,725 S**

(45) **Date of Patent:** **\*\* Sep. 22, 2009**

(54) **POSITIONER**

D409,725 S \* 5/1999 Ito et al. .... D23/235

(75) Inventor: **Seiji Iwai**, Osaka (JP)

FOREIGN PATENT DOCUMENTS

JP 2000-15446 1/2000

(73) Assignee: **Panasonic Corporation**, Osaka (JP)

\* cited by examiner

(\*\*) Term: **14 Years**

*Primary Examiner*—Sandra Snapp

*Assistant Examiner*—Patricia Palasik

(21) Appl. No.: **29/332,564**

(74) *Attorney, Agent, or Firm*—Brinks Hofer Gilson & Lione

(22) Filed: **Feb. 19, 2009**

(57) **CLAIM**

(30) **Foreign Application Priority Data**

I claim the ornamental design for a positioner, as shown and described.

Sep. 24, 2008 (JP) ..... 2008-024404

**DESCRIPTION**

(51) **LOC (9) Cl.** ..... **15-09**

FIG. 1 is a top perspective view of a positioner of the present invention;

(52) **U.S. Cl.** ..... **D15/143**

FIG. 2 is a front view thereof;

(58) **Field of Classification Search** ..... D15/144,

FIG. 3 is a rear view thereof;

D15/144.1, 144.2, 143, 148, 199; D23/233–235,

FIG. 4 is a first side view thereof;

D23/244–246; 137/85, 116.3, 505, 557

FIG. 5 is a second side view thereof;

See application file for complete search history.

FIG. 6 is a top view thereof; and,

(56) **References Cited**

FIG. 7 is a bottom view thereof.

U.S. PATENT DOCUMENTS

The broken lines in the drawings depict unclaimed environmental subject matter.

3,696,713 A \* 10/1972 Ragard ..... 92/121

3,783,222 A \* 1/1974 Gwin et al. .... 219/60 A

4,021,711 A \* 5/1977 Erickson et al. .... 318/480

D336,095 S \* 6/1993 Carlson ..... D15/140

5,222,457 A \* 6/1993 Friedrich ..... 116/284

**1 Claim, 4 Drawing Sheets**

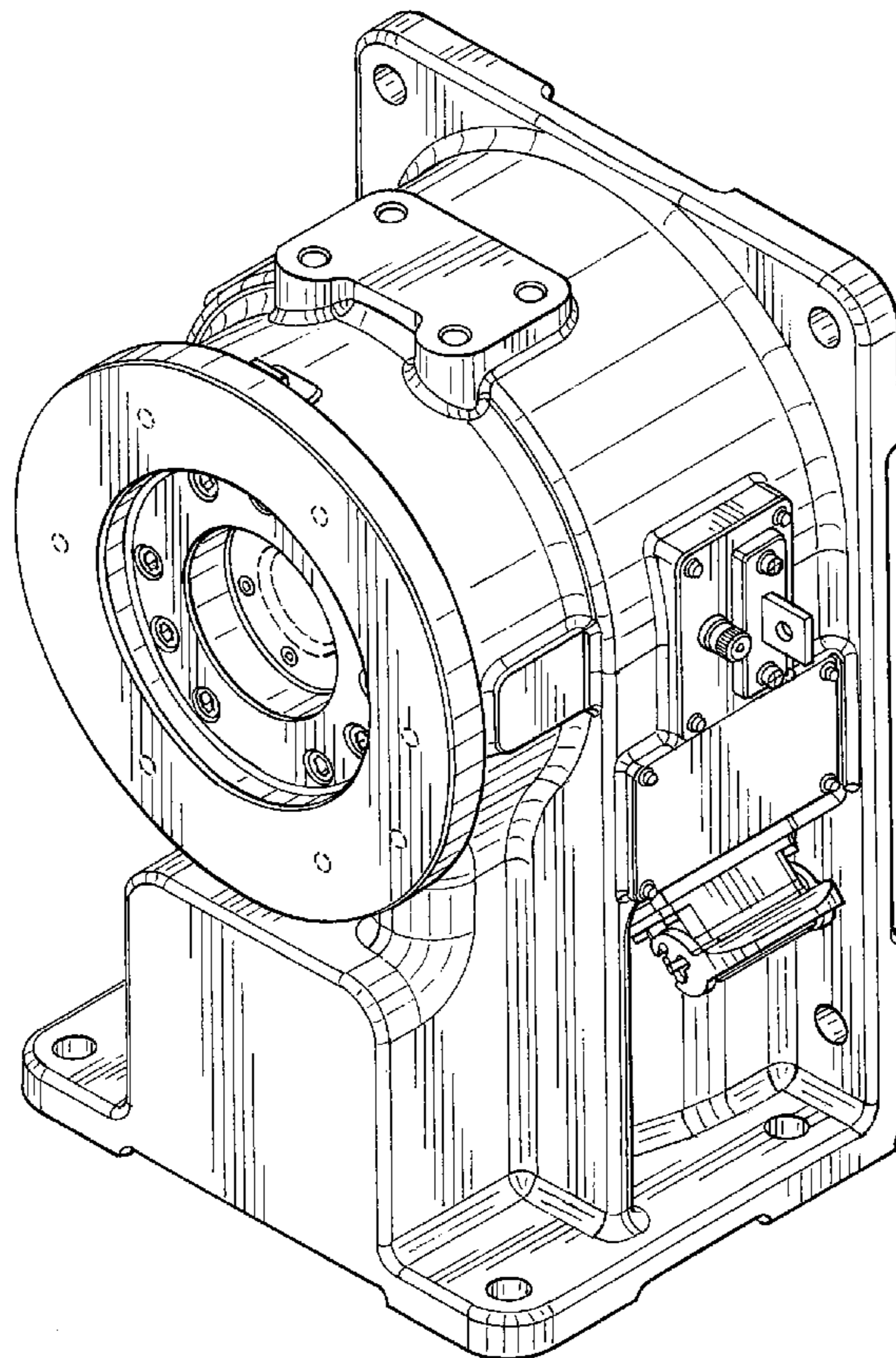


FIG. 1

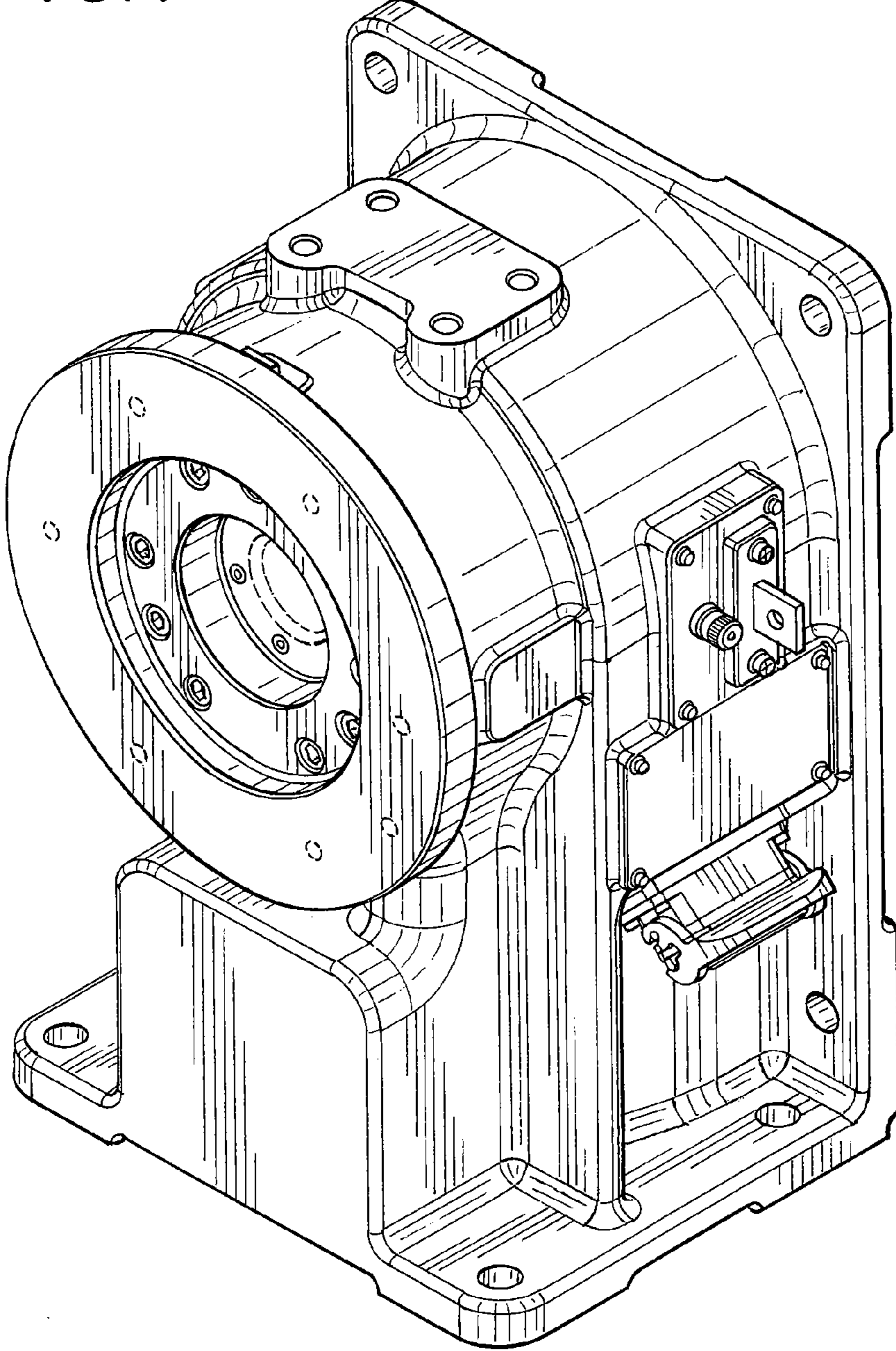


FIG. 3

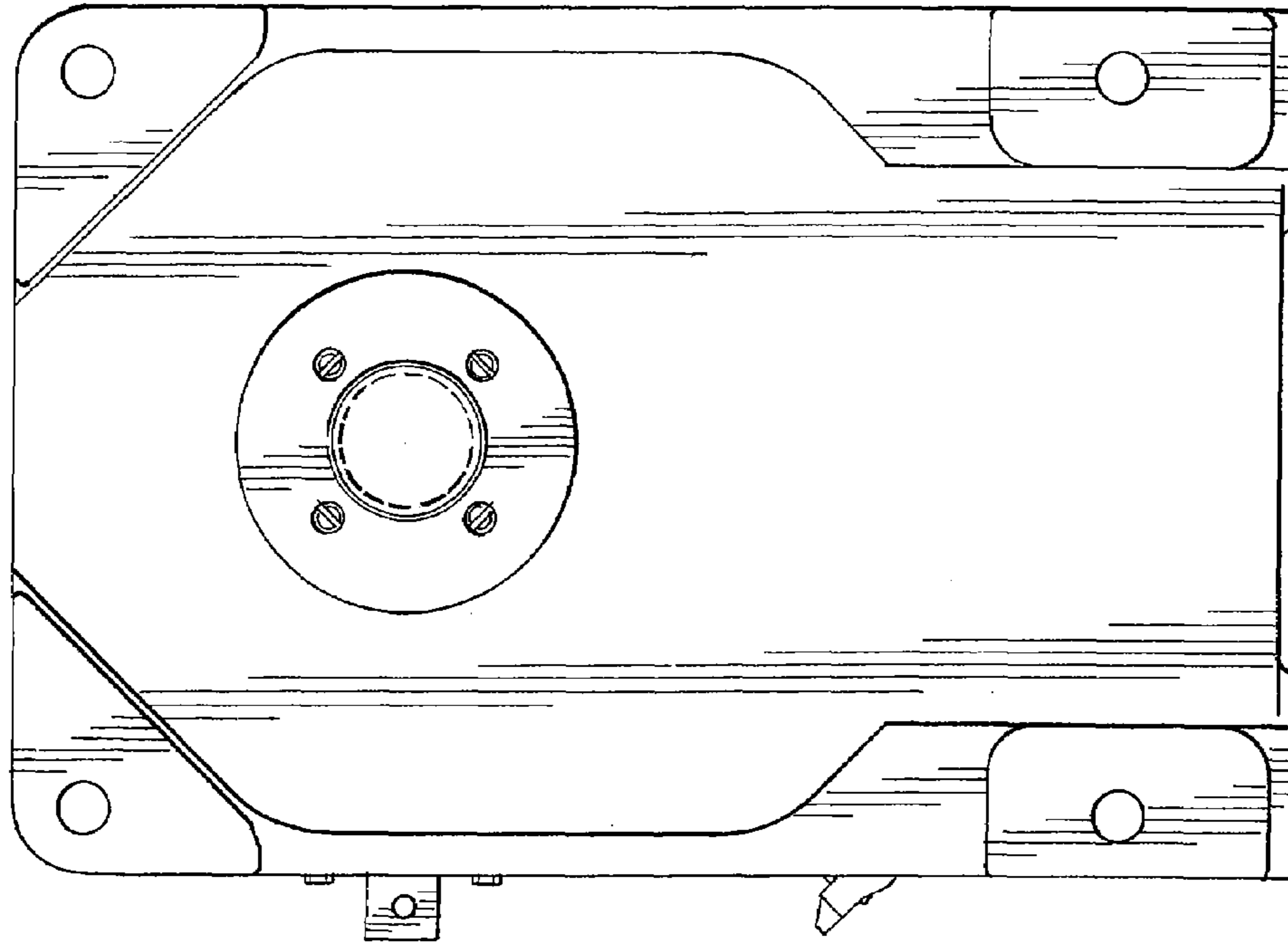


FIG. 2

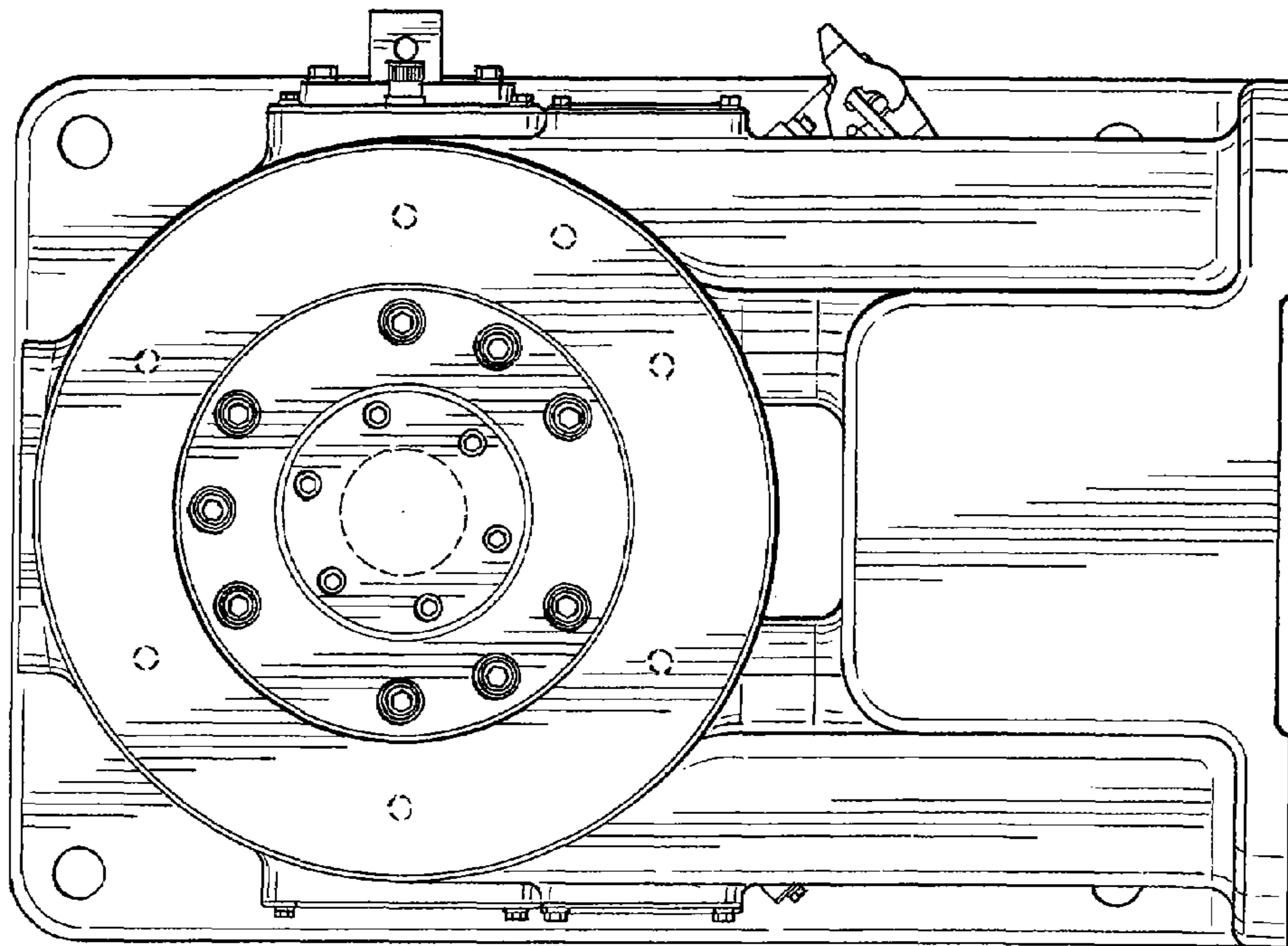


FIG.5

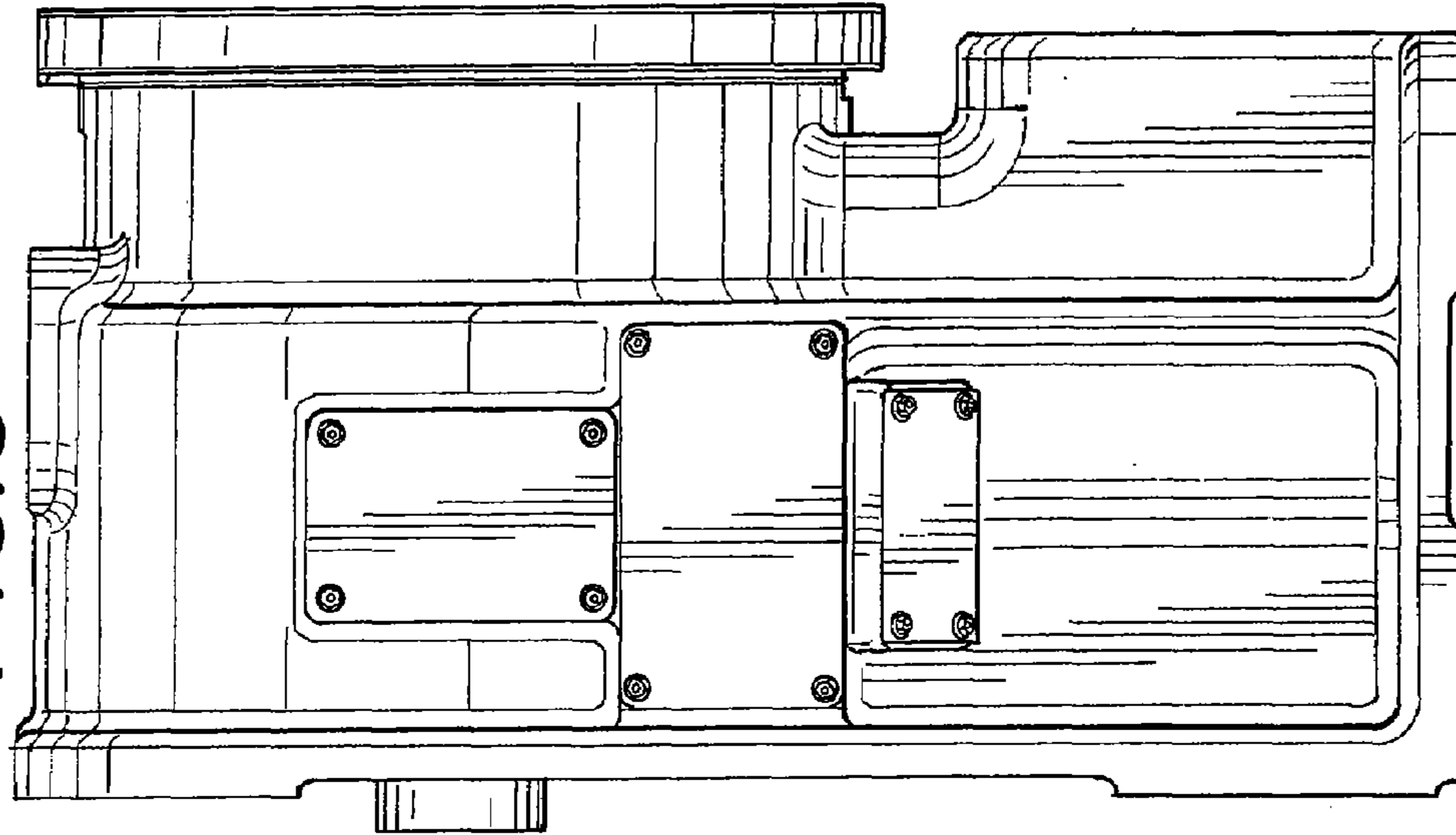


FIG.4

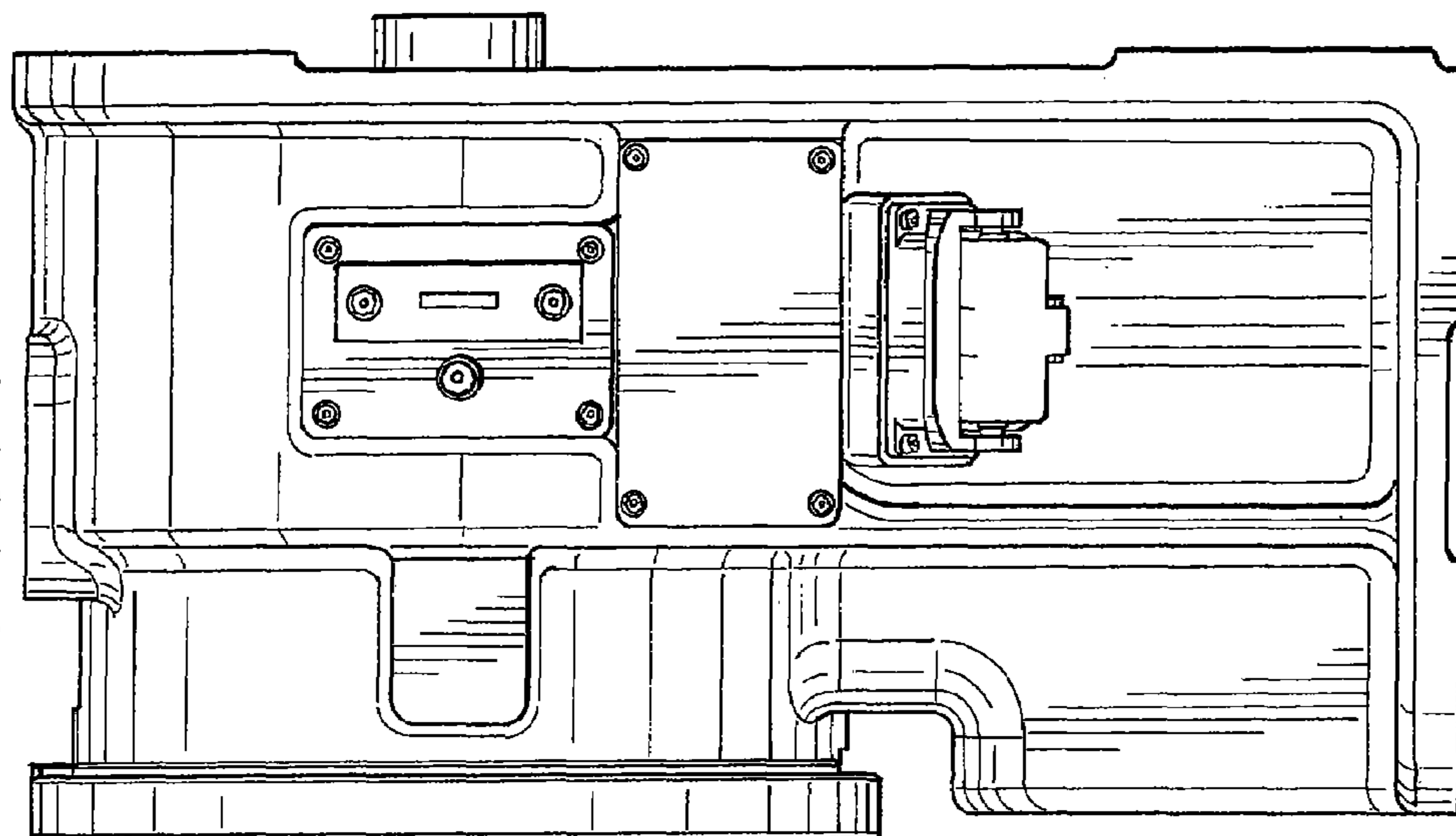


FIG.6

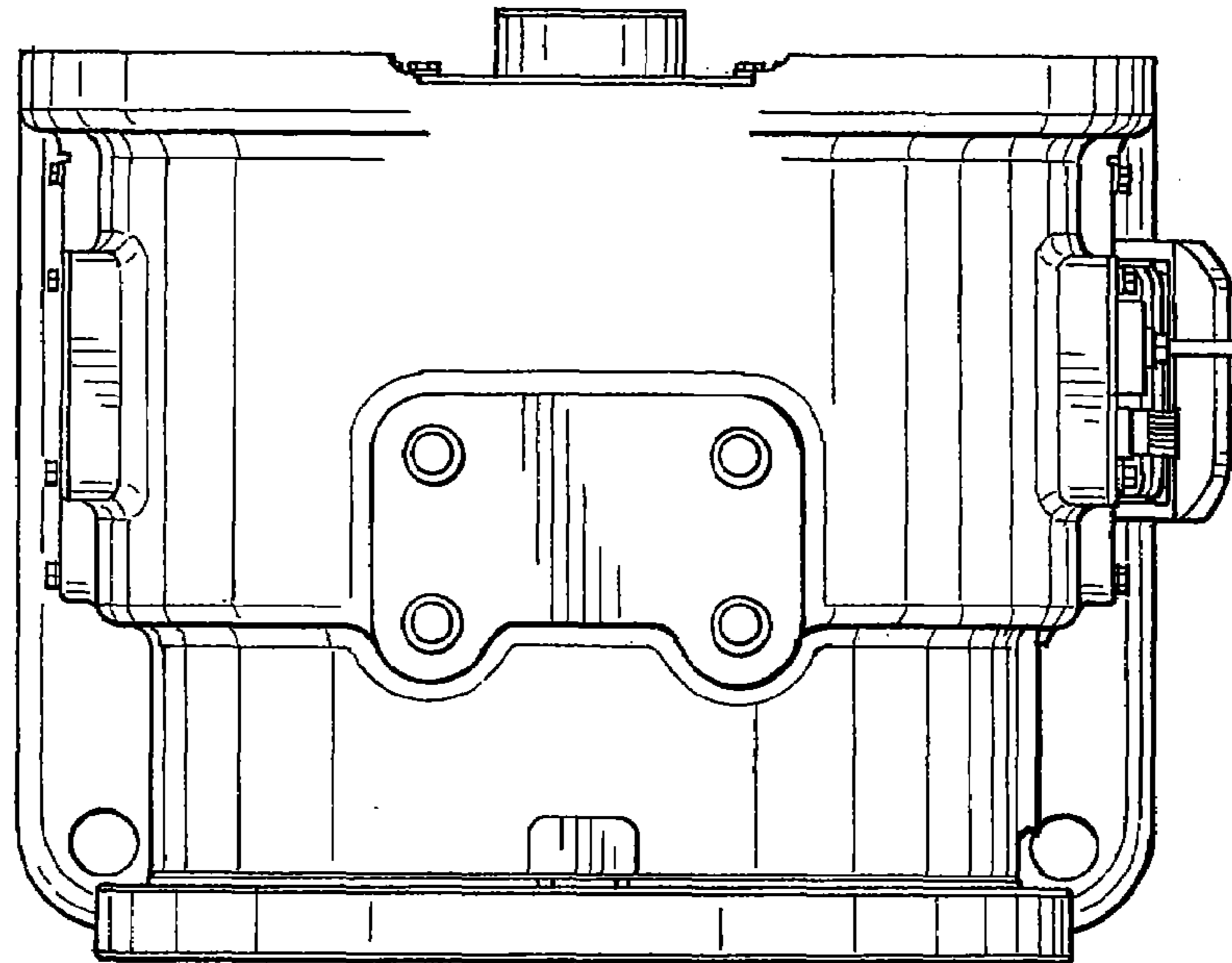


FIG.7

