



US00D600723S

(12) **United States Design Patent**  
**Bartolome**

(10) **Patent No.:** **US D600,723 S**

(45) **Date of Patent:** **\*\* Sep. 22, 2009**

(54) **ROCK PENETRATION TOOTH**

(75) Inventor: **Javier Bartolome**, Barcelona (ES)

(73) Assignee: **BYG, S.A.**, Barcelona (ES)

(\*\*) Term: **14 Years**

(21) Appl. No.: **29/324,383**

(22) Filed: **Sep. 11, 2008**

(30) **Foreign Application Priority Data**

Mar. 11, 2008 (EM) ..... 000895396-0009

(51) **LOC (9) Cl.** ..... **15-03**

(52) **U.S. Cl.** ..... **D15/29**

(58) **Field of Classification Search** ..... D15/11,  
D15/21, 28, 29, 32; 172/701.2, 701.3, 713,  
172/719, 772.5, 770, 771, 699; 37/444, 446,  
37/449, 452-456, 448, 903  
See application file for complete search history.

(56) **References Cited**

**U.S. PATENT DOCUMENTS**

D385,286 S *	10/1997	Moreno	.....	D15/29
D391,583 S *	3/1998	Moreno	.....	D15/29
D391,584 S *	3/1998	Moreno	.....	D15/29
D392,292 S *	3/1998	Moreno	.....	D15/29
D395,661 S *	6/1998	Moreno	.....	D15/29
D408,422 S *	4/1999	Moreno	.....	D15/29
D417,877 S *	12/1999	Lauder et al.	.....	D15/29
D460,464 S *	7/2002	Ketting et al.	.....	D15/29
D460,764 S *	7/2002	Ketting et al.	.....	D15/29

D461,198 S *	8/2002	Ketting et al.	.....	D15/29
D461,832 S *	8/2002	Ketting et al.	.....	D15/29
D527,029 S *	8/2006	Lauder et al.	.....	D15/29
D541,311 S *	4/2007	Oh	.....	D15/29
D567,825 S *	4/2008	Clendenning et al.	.....	D15/29
D567,826 S *	4/2008	Clendenning et al.	.....	D15/29
D567,827 S *	4/2008	Clendenning et al.	.....	D15/29
D576,644 S *	9/2008	Clendenning et al.	.....	D15/29

\* cited by examiner

*Primary Examiner*—Stella M Reid

*Assistant Examiner*—Mark A Goodwin

(74) *Attorney, Agent, or Firm*—Akerman Senterfitt; Peter A. Chiabotti

(57) **CLAIM**

The ornamental design for a rock penetration tooth, as shown and described.

**DESCRIPTION**

FIG. 1 is a top and right side perspective view of a rock penetrating tooth showing my new design;

FIG. 2 is a right side elevation view thereof, the left side being a mirror image thereof;

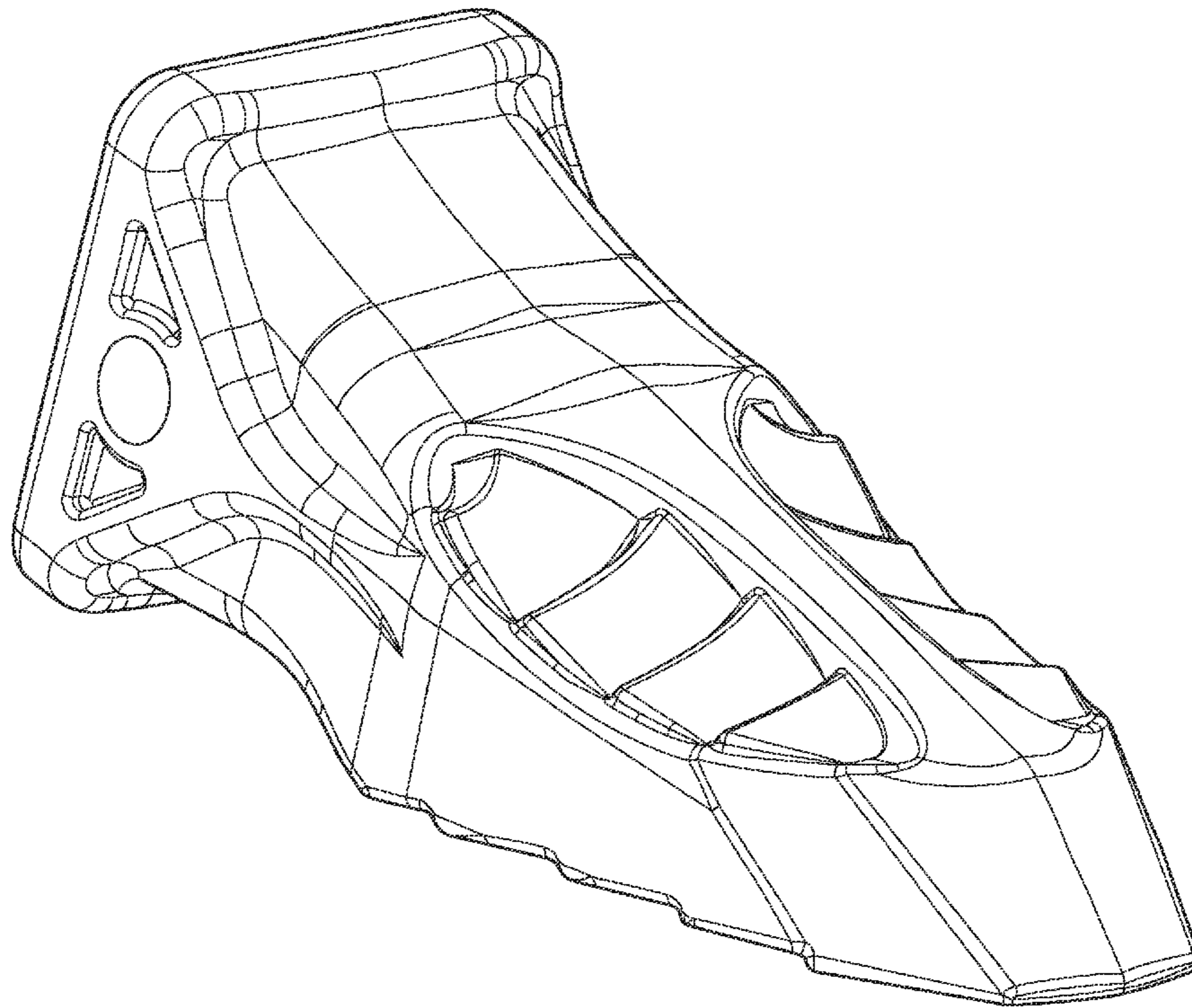
FIG. 3 is a top view thereof;

FIG. 4 is a bottom view thereof;

FIG. 5 is a front view thereof; and,

FIG. 6 is a rear view thereof. The broken lines in FIG. 6 are included for the purpose of illustrating portions of the rock penetrating tooth that form no part of the claimed design.

**1 Claim, 6 Drawing Sheets**



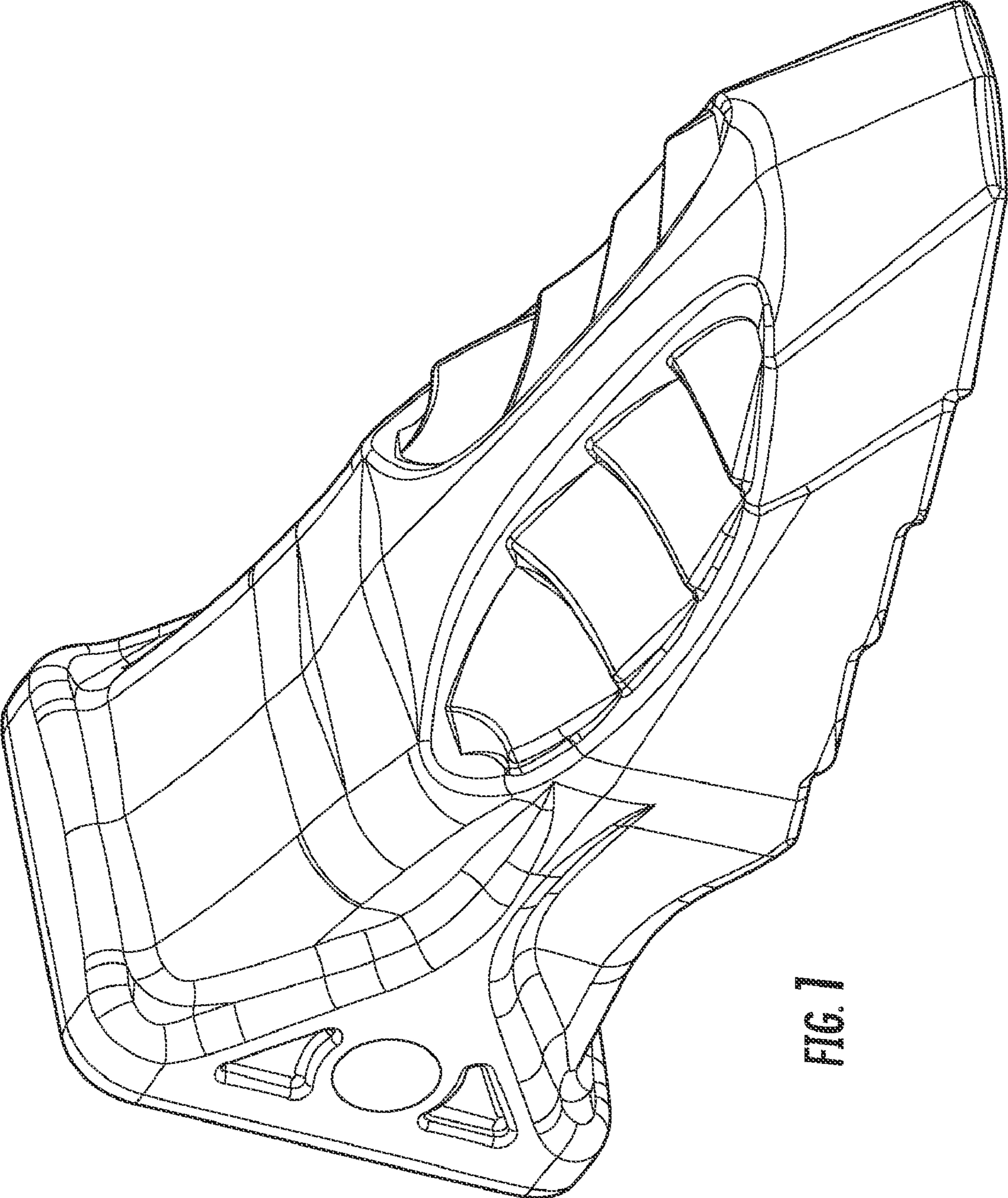


FIG. 1

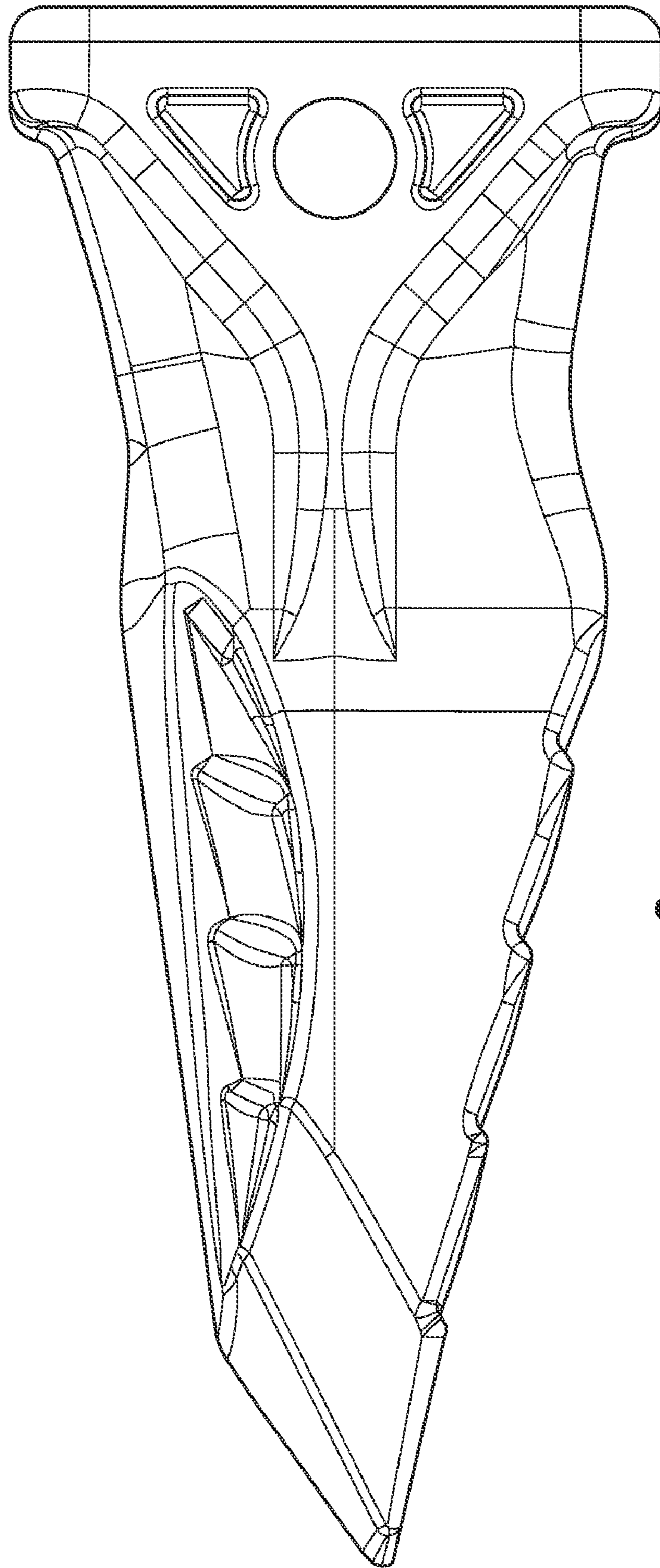


FIG. 2

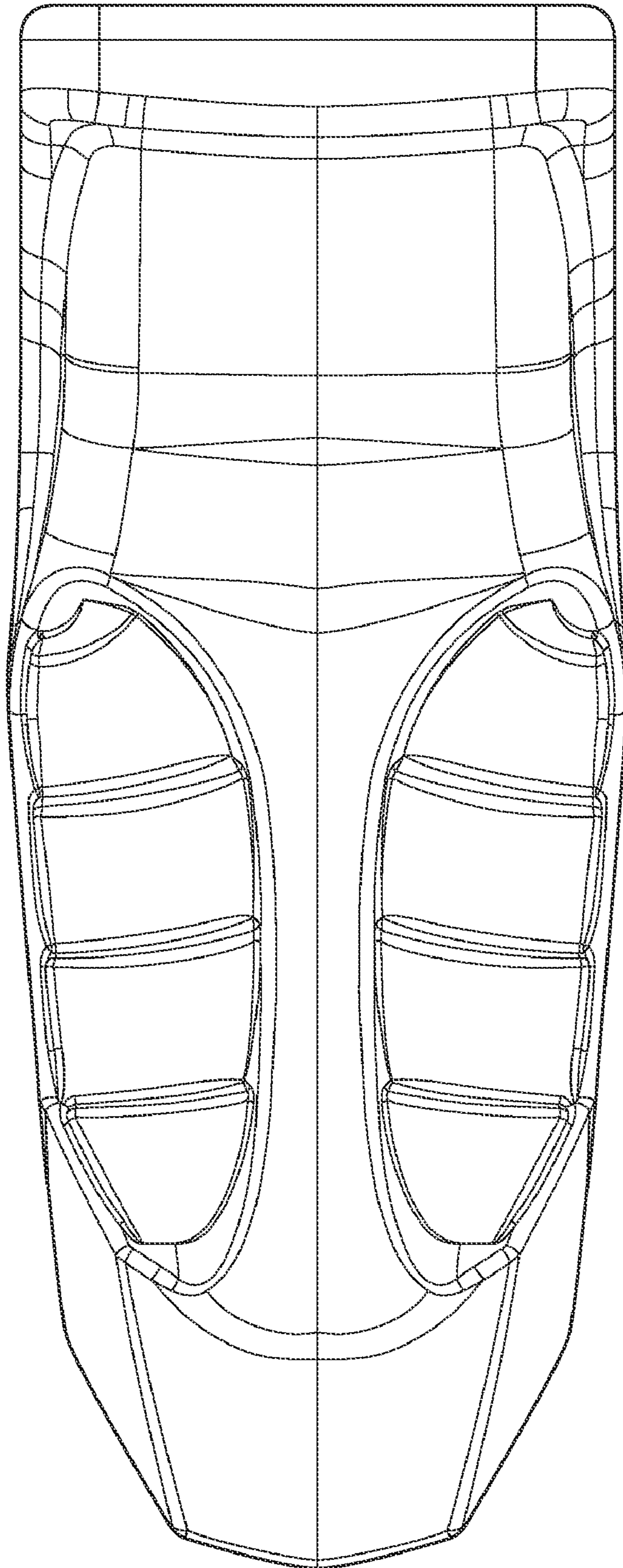


FIG. 3

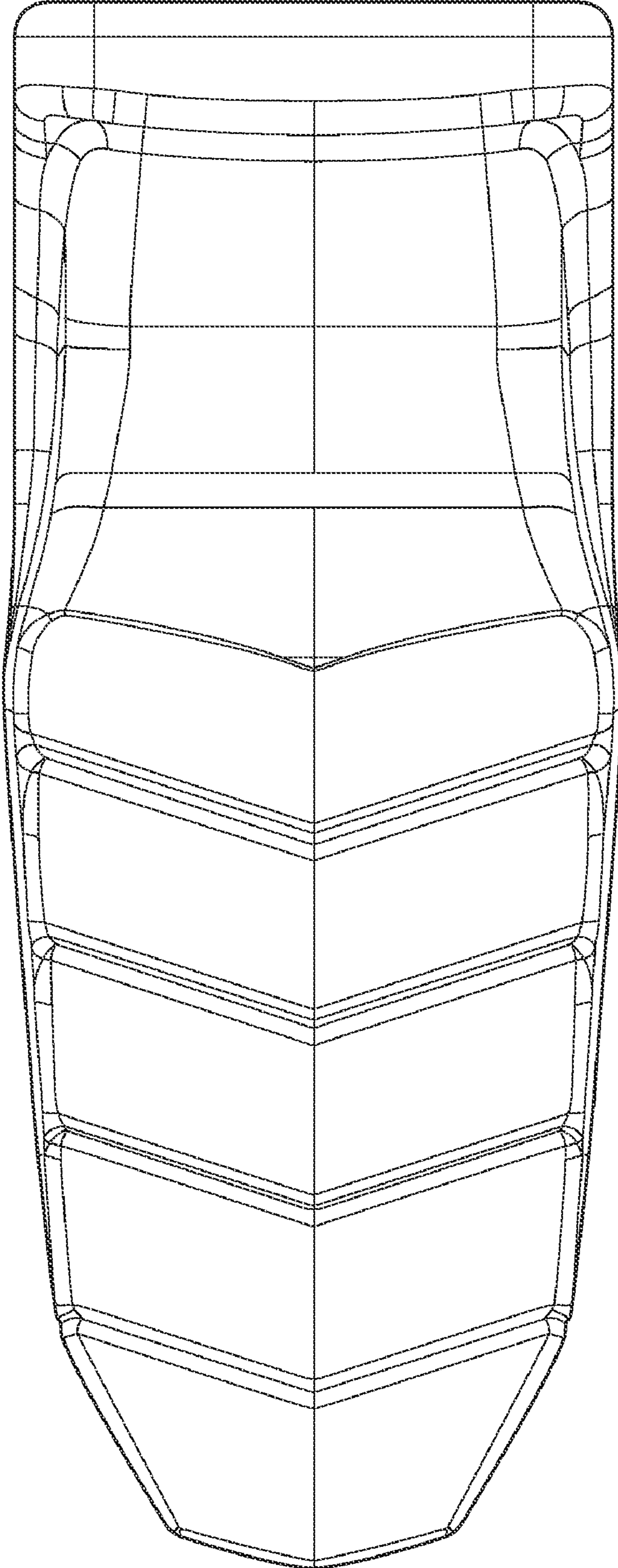
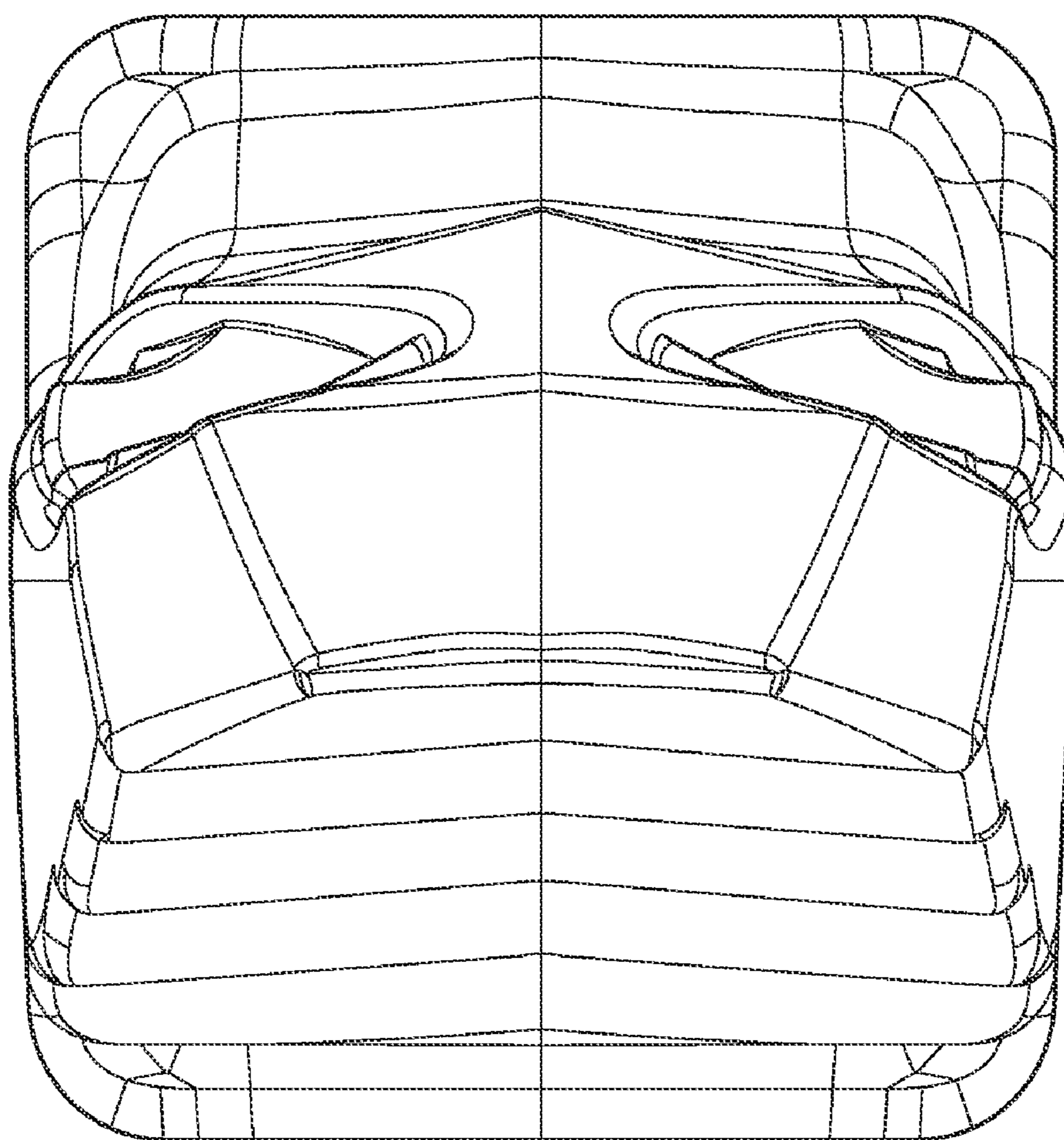


FIG. 4



**FIG. 5**

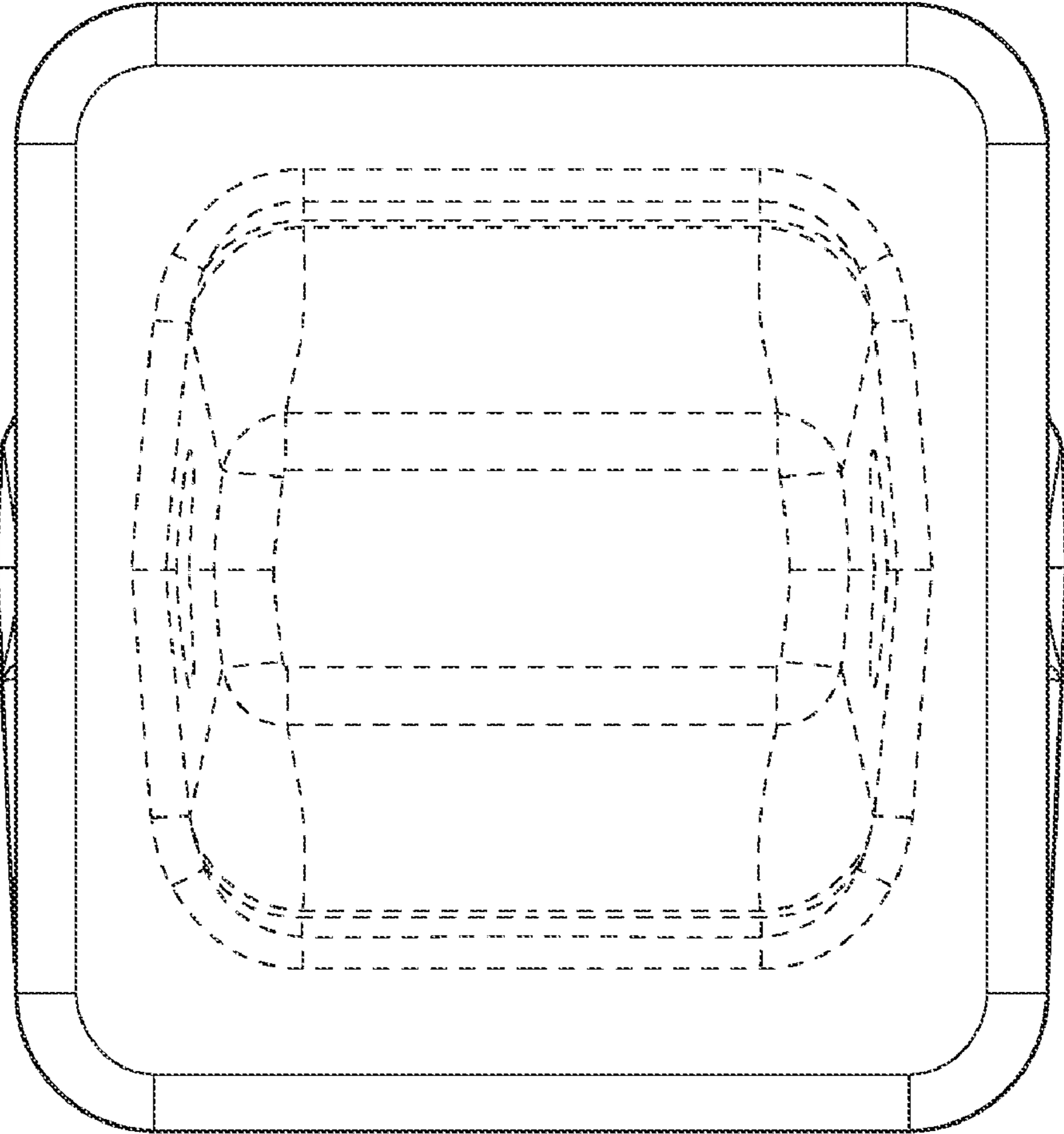


FIG. 6