



US00D600721S

(12) **United States Design Patent**
Shimomura et al.

(10) **Patent No.:** **US D600,721 S**

(45) **Date of Patent:** **** Sep. 22, 2009**

(54) **SKID STEER LOADER**

(75) Inventors: **Takashi Shimomura**, Takatsuki (JP);
Tadashi Kusunoki, Sakai (JP)

(73) Assignee: **Kubota Corporation**, Osaka (JP)

(**) Term: **14 Years**

(21) Appl. No.: **29/310,796**

(22) Filed: **Sep. 10, 2008**

(30) **Foreign Application Priority Data**

Jun. 6, 2008 (JP) 2008-014498

(51) **LOC (9) Cl.** **12-09**

(52) **U.S. Cl.** **D15/23**

(58) **Field of Classification Search** D15/10,
D15/22-26; 180/89.1, 89.12, 900; 37/118 R;
414/685, 686

See application file for complete search history.

(56) **References Cited**

U.S. PATENT DOCUMENTS

D224,588 S	8/1972	Bauer	
D231,482 S	4/1974	Bauer	
D247,814 S *	5/1978	Johnson et al.	D15/23
D251,088 S	2/1979	Johnson et al.	
4,682,666 A *	7/1987	Klee et al.	180/89.13
4,705,449 A *	11/1987	Christianson et al.	414/685
D314,389 S *	2/1991	Lynnes et al.	D15/25
D317,926 S	7/1991	Lynnes et al.	
D322,792 S *	12/1991	Park	D15/25
5,240,366 A *	8/1993	Bamford	414/686
D376,372 S *	12/1996	Little et al.	D15/23
5,807,061 A *	9/1998	Donoghue et al.	414/710
D407,415 S	3/1999	Flatau et al.	
5,918,694 A *	7/1999	Miller et al.	180/89.14

D419,568 S	1/2000	Baig et al.	
D423,521 S *	4/2000	Walter et al.	D15/23
6,132,163 A *	10/2000	Andrews et al.	414/685
6,171,050 B1 *	1/2001	Johnson	414/685
D450,718 S	11/2001	Muraro	
6,733,062 B1 *	5/2004	Albright et al.	296/51
D492,327 S *	6/2004	Albright et al.	D15/23
D504,136 S *	4/2005	Albright et al.	D15/23
D520,525 S	5/2006	Enmeiji et al.	
7,128,518 B2 *	10/2006	Yamashita	414/694
2003/0150663 A1 *	8/2003	Farbotnik et al.	180/312
2004/0018078 A1 *	1/2004	Vicars et al.	414/900
2006/0269386 A1 *	11/2006	Layko et al.	414/685

* cited by examiner

Primary Examiner—Stella M Reid

Assistant Examiner—Mark A Goodwin

(74) *Attorney, Agent, or Firm*—The Webb Law Firm

(57) **CLAIM**

The ornamental design for a skid steer loader, as shown and described.

DESCRIPTION

FIG. 1 is a left side view of a skid steer loader showing our new design. The parts of the photographs shown in FIGS. 1, 2 and 4-7 in a coarse dot pattern and outlined in dashed lines illustrate portions of the skid steer loader that form no part of the claimed design.

FIG. 2 is a right side view thereof.

FIG. 3 is a rear side view thereof.

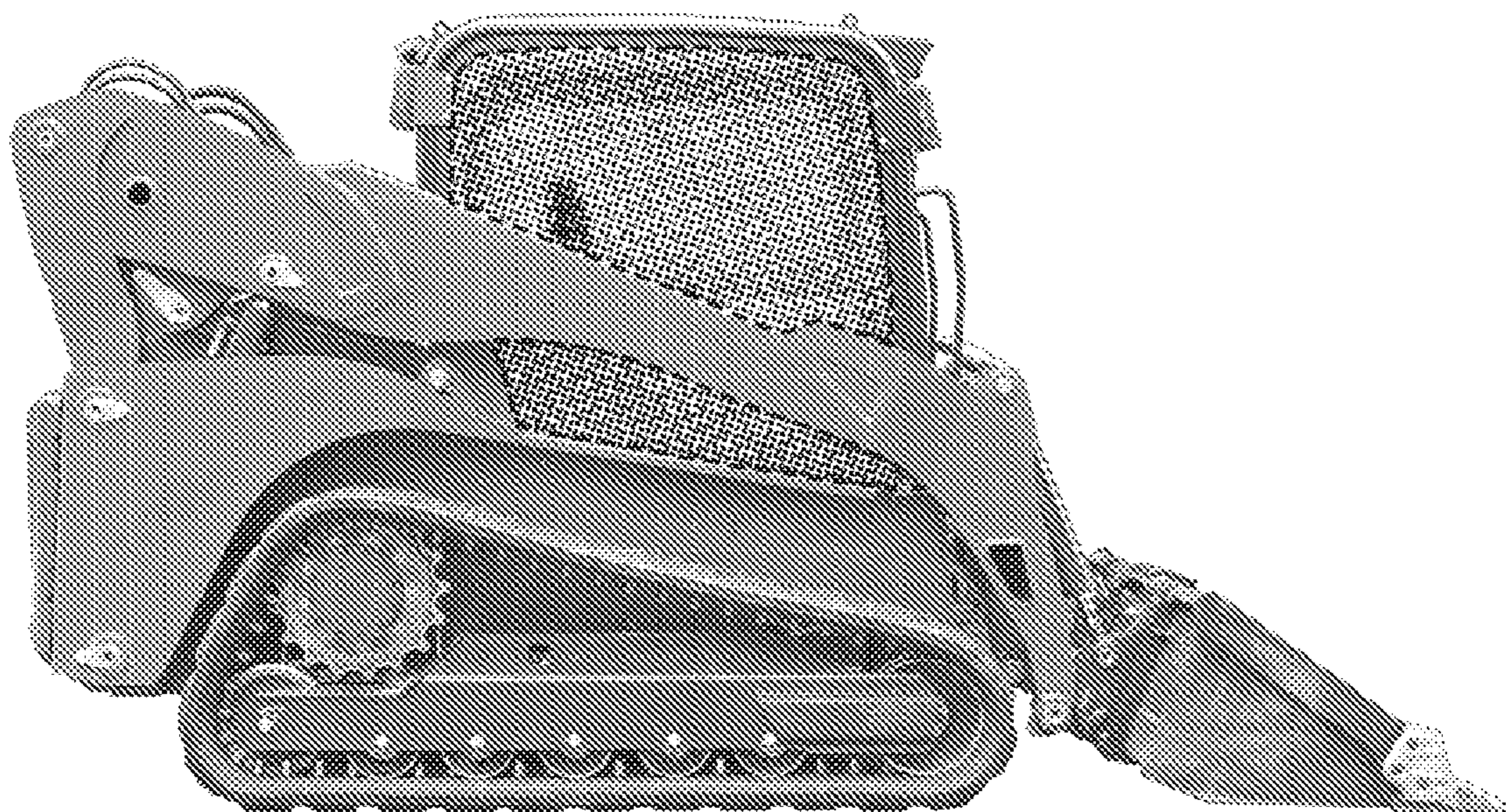
FIG. 4 is a front side view thereof.

FIG. 5 is a top plan view thereof.

FIG. 6 is a left front perspective view thereof; and,

FIG. 7 is a right rear perspective view thereof.

1 Claim, 7 Drawing Sheets



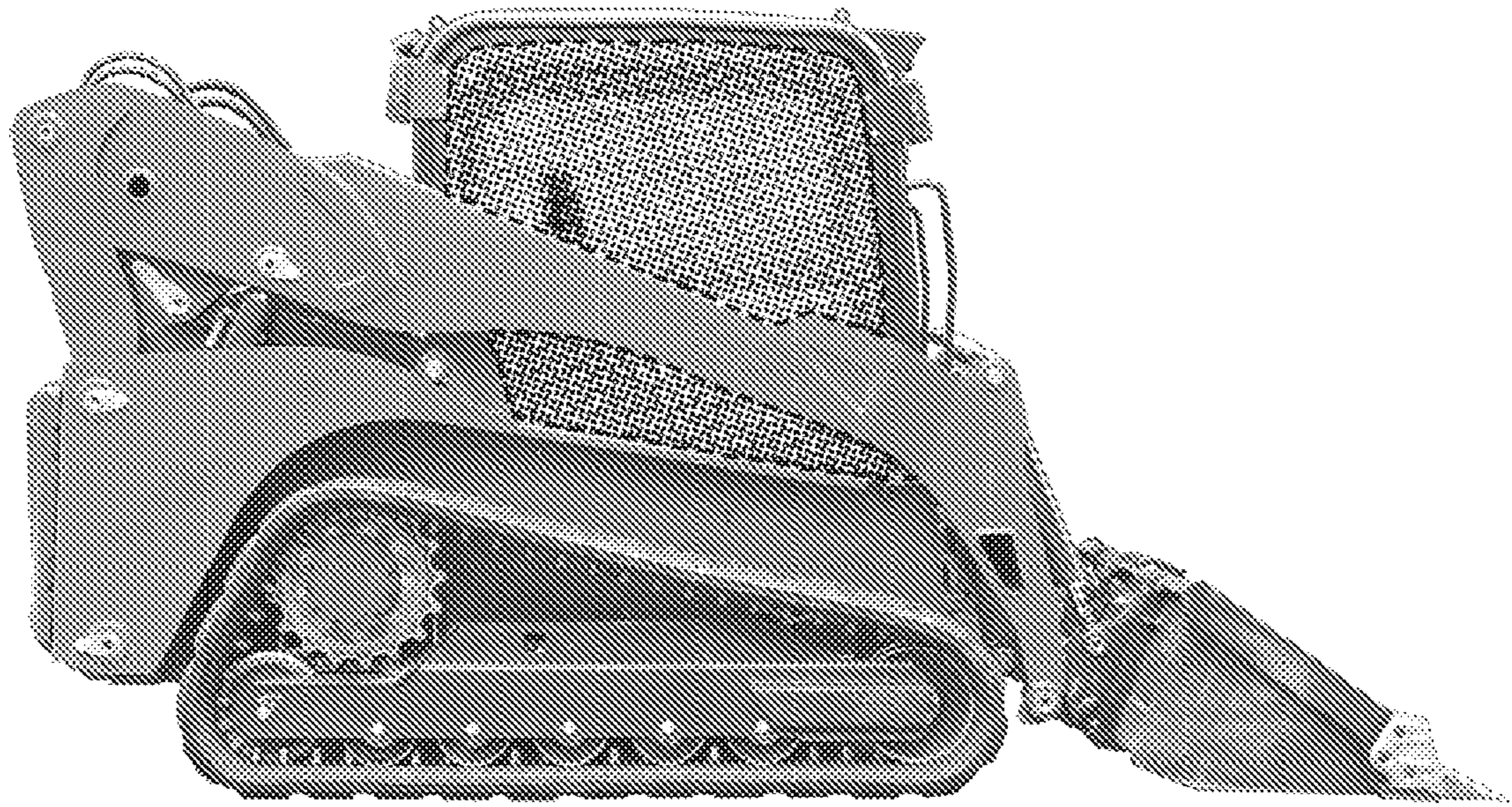


FIG. 1

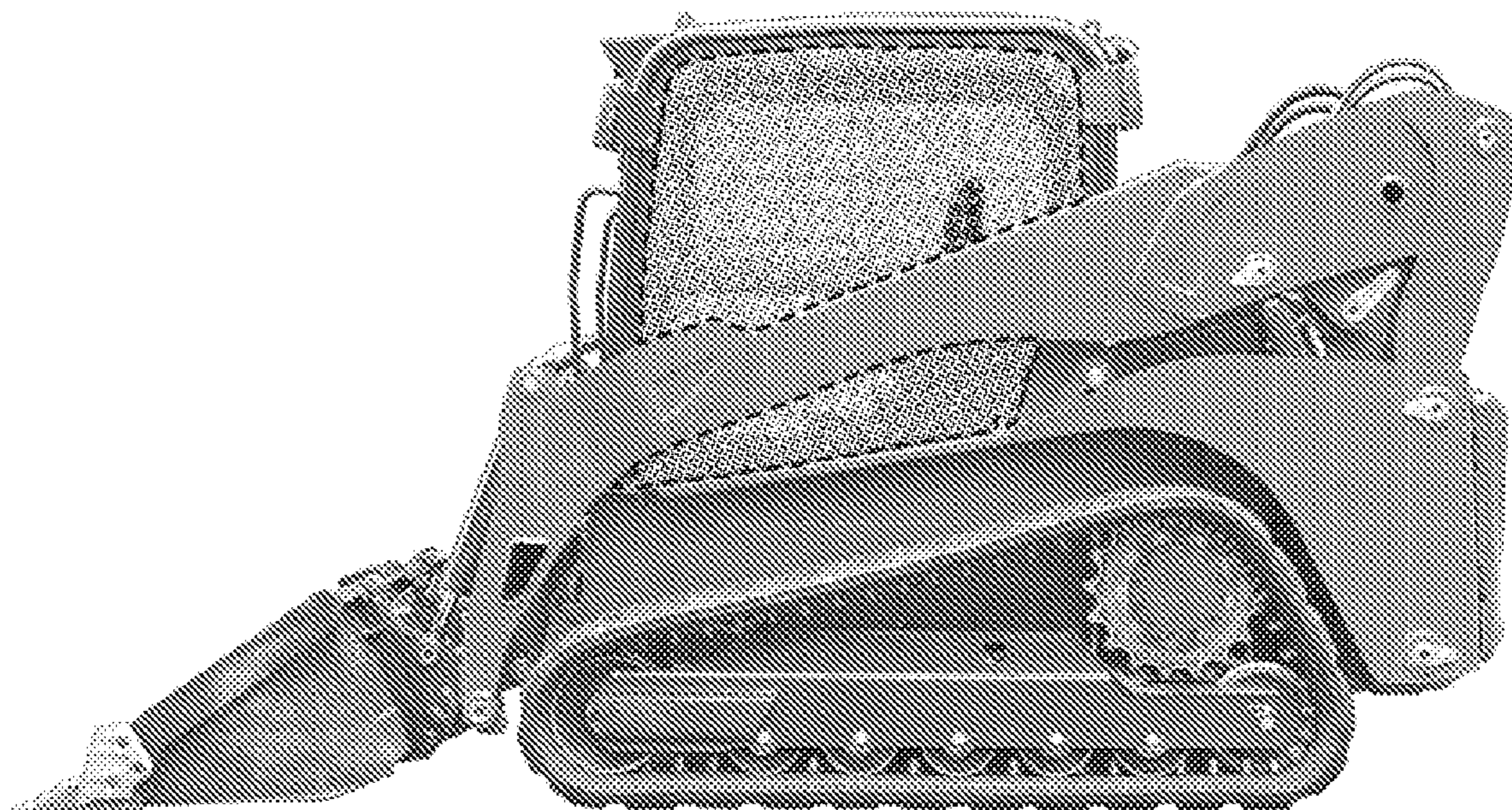


FIG. 2

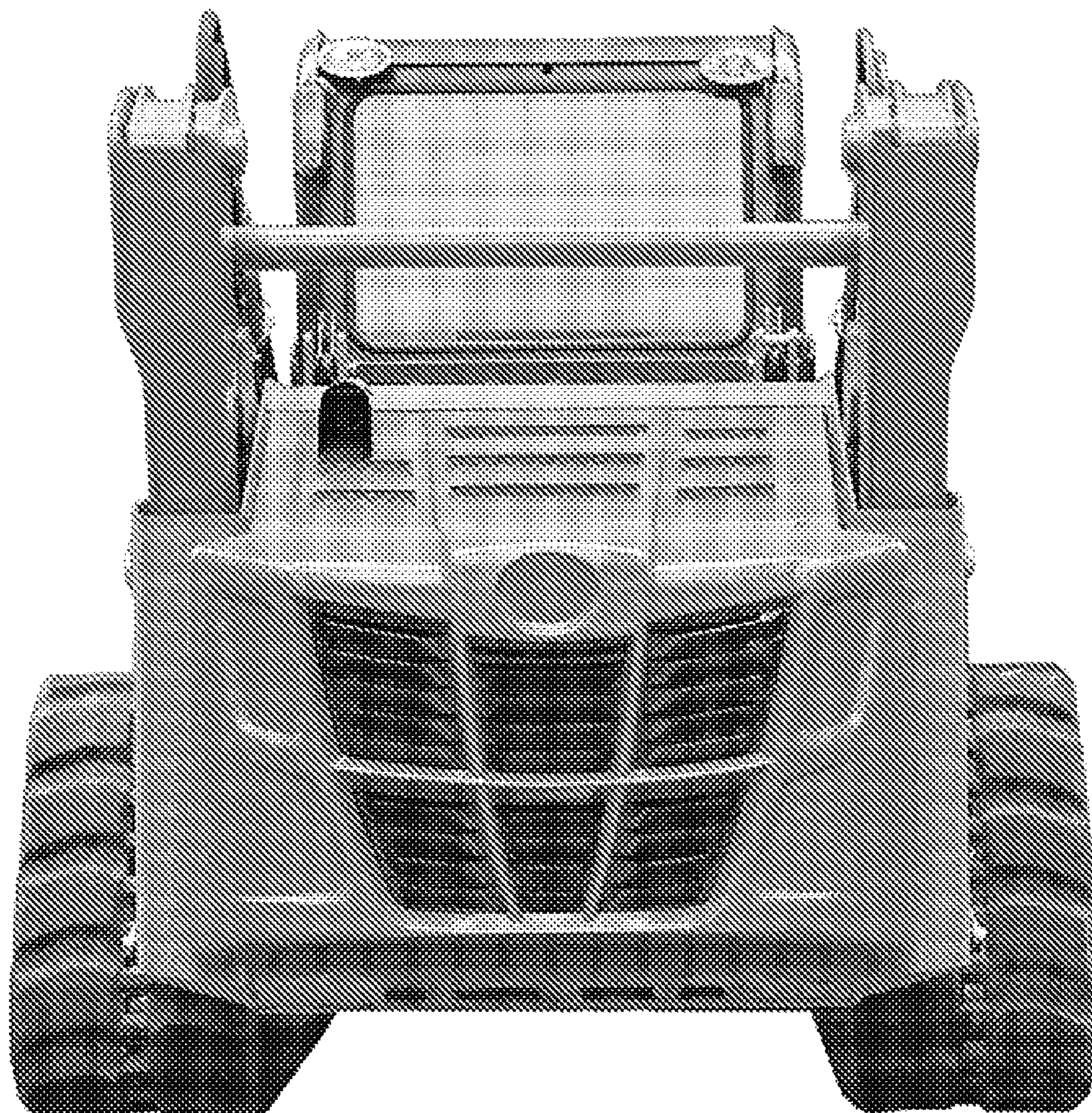


FIG. 3

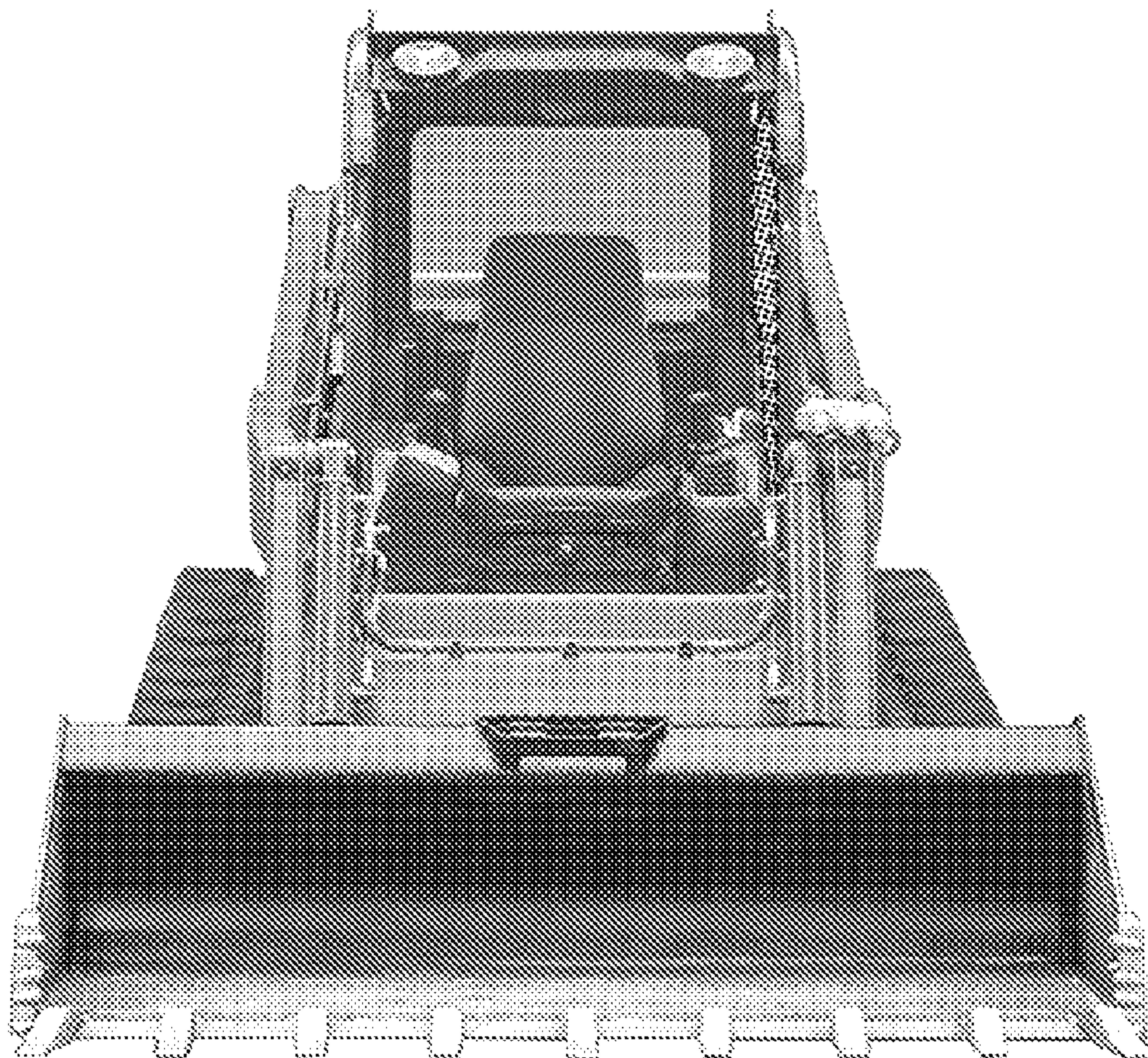


FIG. 4

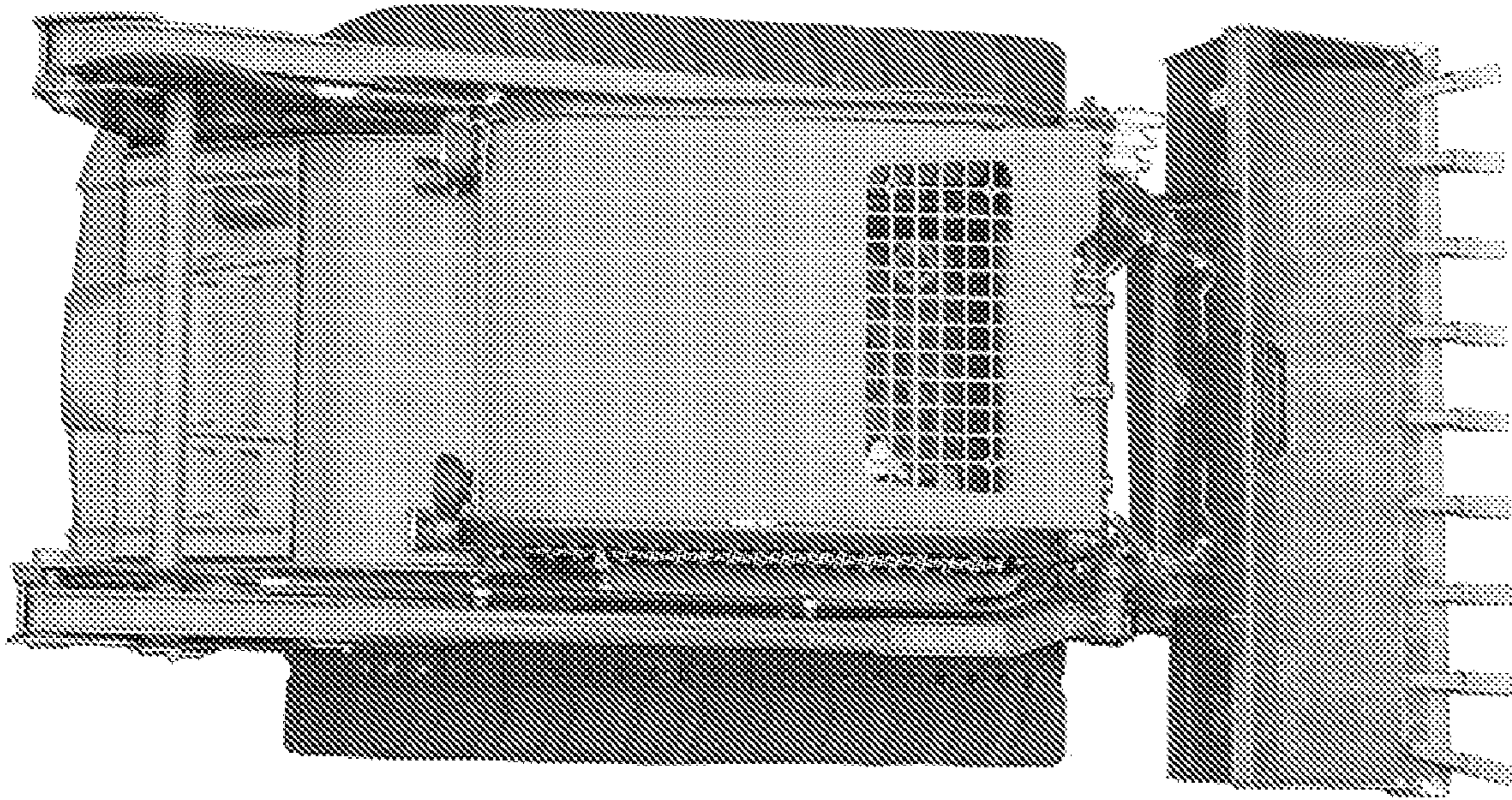


FIG. 5

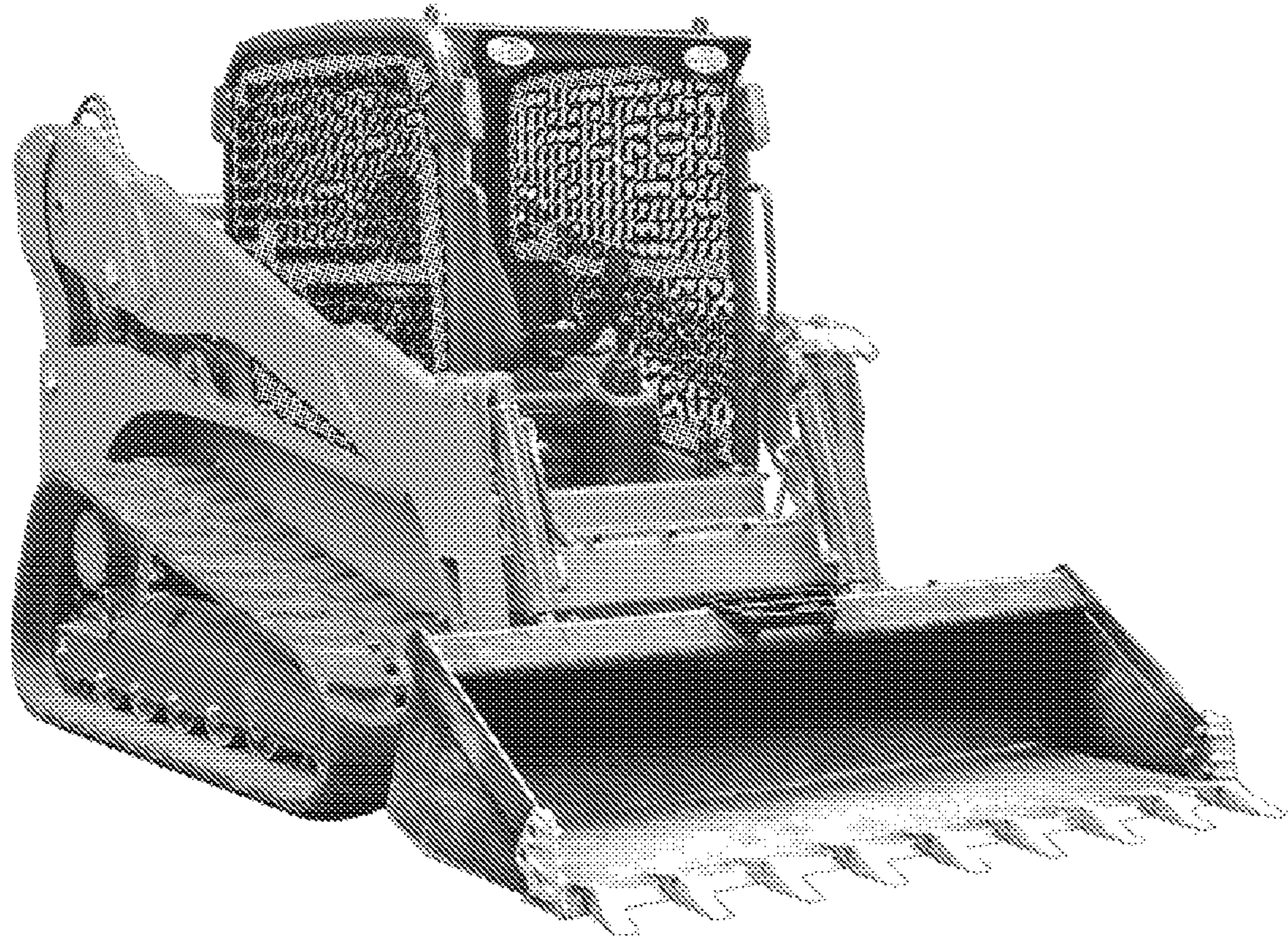


FIG. 6

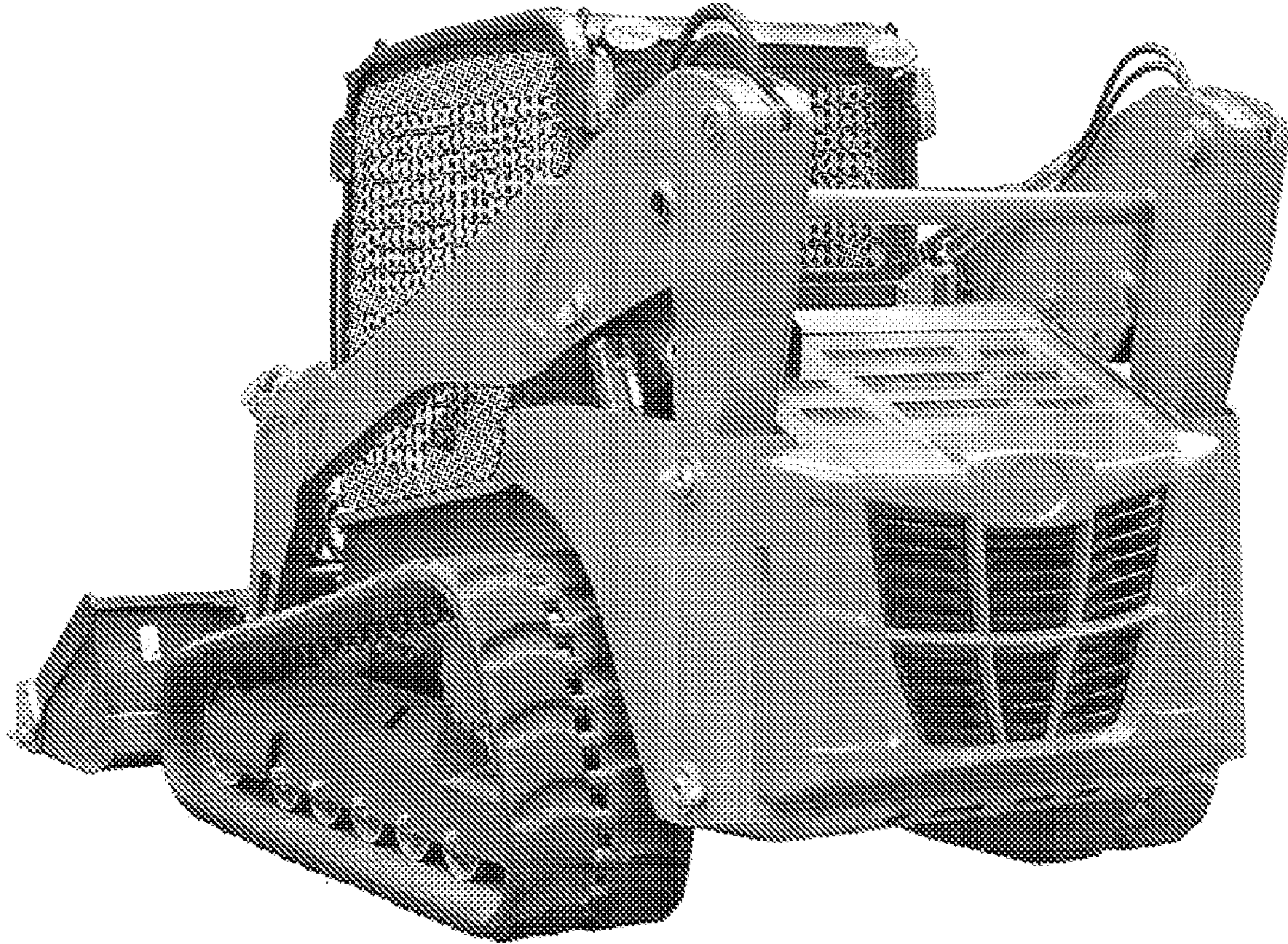


FIG. 7