



US00D600720S

(12) **United States Design Patent**
Iwanicki

(10) **Patent No.:** **US D600,720 S**

(45) **Date of Patent:** **** Sep. 22, 2009**

(54) **COMBINATION VACUUM PUMP AND ALTERNATOR MOUNT**

7,011,068 B2 * 3/2006 Yamagata et al. 123/195 A
7,194,994 B1 * 3/2007 Chisenhall et al. 123/195 A

* cited by examiner

(75) Inventor: **David Iwanicki**, Niantic, CT (US)

Primary Examiner—Ian Simmons

(73) Assignee: **Moroso Performance Products, Inc.**, Guilford, CT (US)

Assistant Examiner—Wan Laymon

(74) *Attorney, Agent, or Firm*—St. Onge Steward Johnston & Reens LLC

(**) Term: **14 Years**

(21) Appl. No.: **29/327,522**

(22) Filed: **Nov. 7, 2008**

(57) **CLAIM**

The ornamental design for a combination vacuum pump and alternator mount, as shown and described.

(51) **LOC (9) Cl.** **15-01**

(52) **U.S. Cl.** **D15/5**

(58) **Field of Classification Search** D15/1-5,
D15/7; 123/198 R, 198 C, 195 A, 41.44,
123/647

See application file for complete search history.

DESCRIPTION

FIG. 1 is a perspective view of a combination vacuum pump and alternator mount in accordance with the new design;

FIG. 2 is a top view thereof;

FIG. 3 is a right side view thereof;

FIG. 4 is a bottom view thereof;

FIG. 5 is a left side view thereof;

FIG. 6 is a rear view thereof; and,

FIG. 7 is a front view thereof.

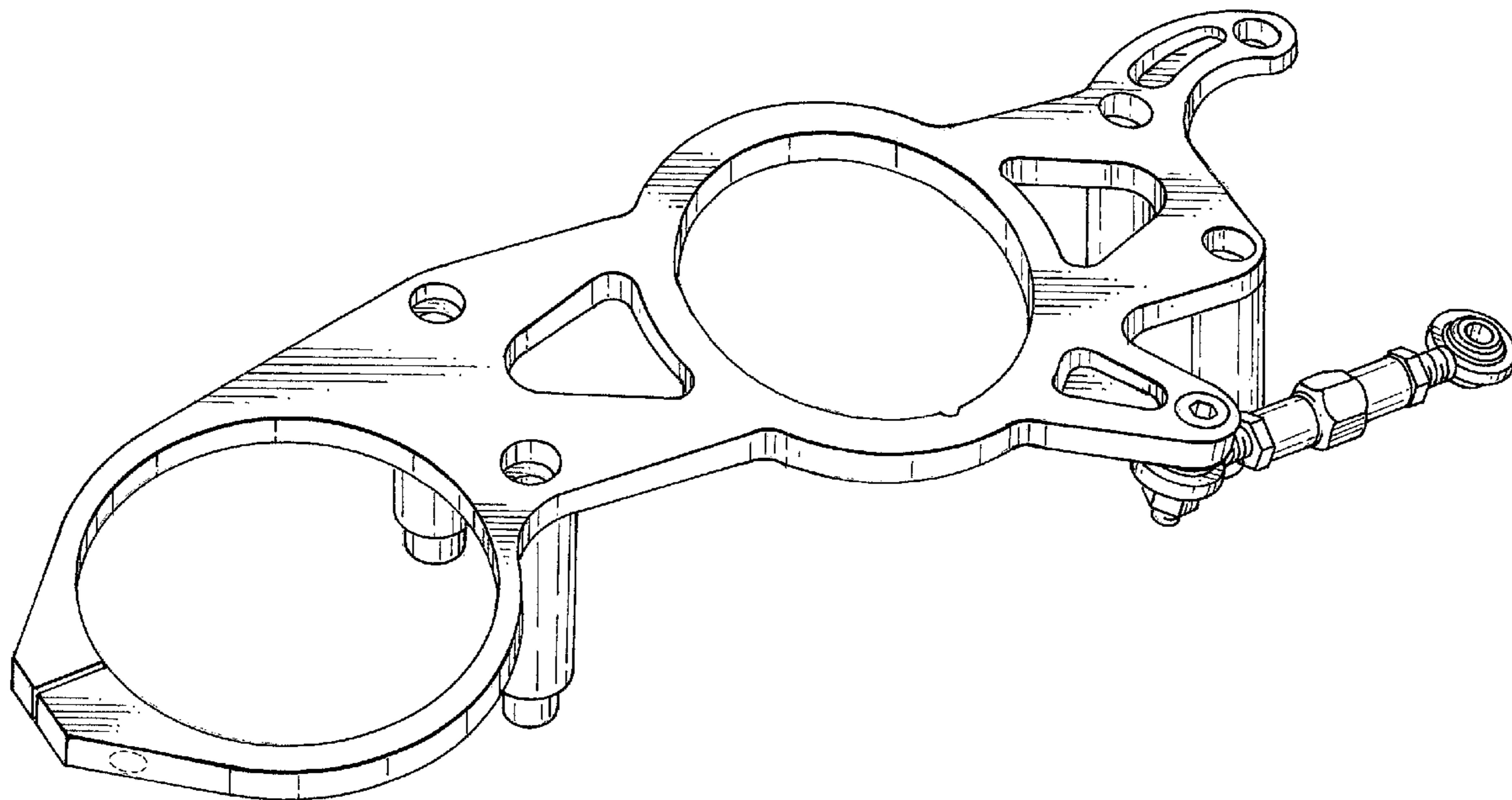
The broken lines represent the oval of the combination vacuum pump and alternator mount, which forms no part of the claimed design.

(56) **References Cited**

U.S. PATENT DOCUMENTS

D273,297 S *	4/1984	Nolff	D15/5
4,977,870 A *	12/1990	Hashimoto et al.	123/195 C
D383,140 S *	9/1997	Middlebrook	D15/5
5,692,466 A *	12/1997	Hausmann et al.	123/195 A
5,704,329 A *	1/1998	Bublitz et al.	123/195 A
D394,617 S *	5/1998	Kerlin et al.	D12/16
6,244,239 B1 *	6/2001	Sisco et al.	123/198 R

1 Claim, 4 Drawing Sheets



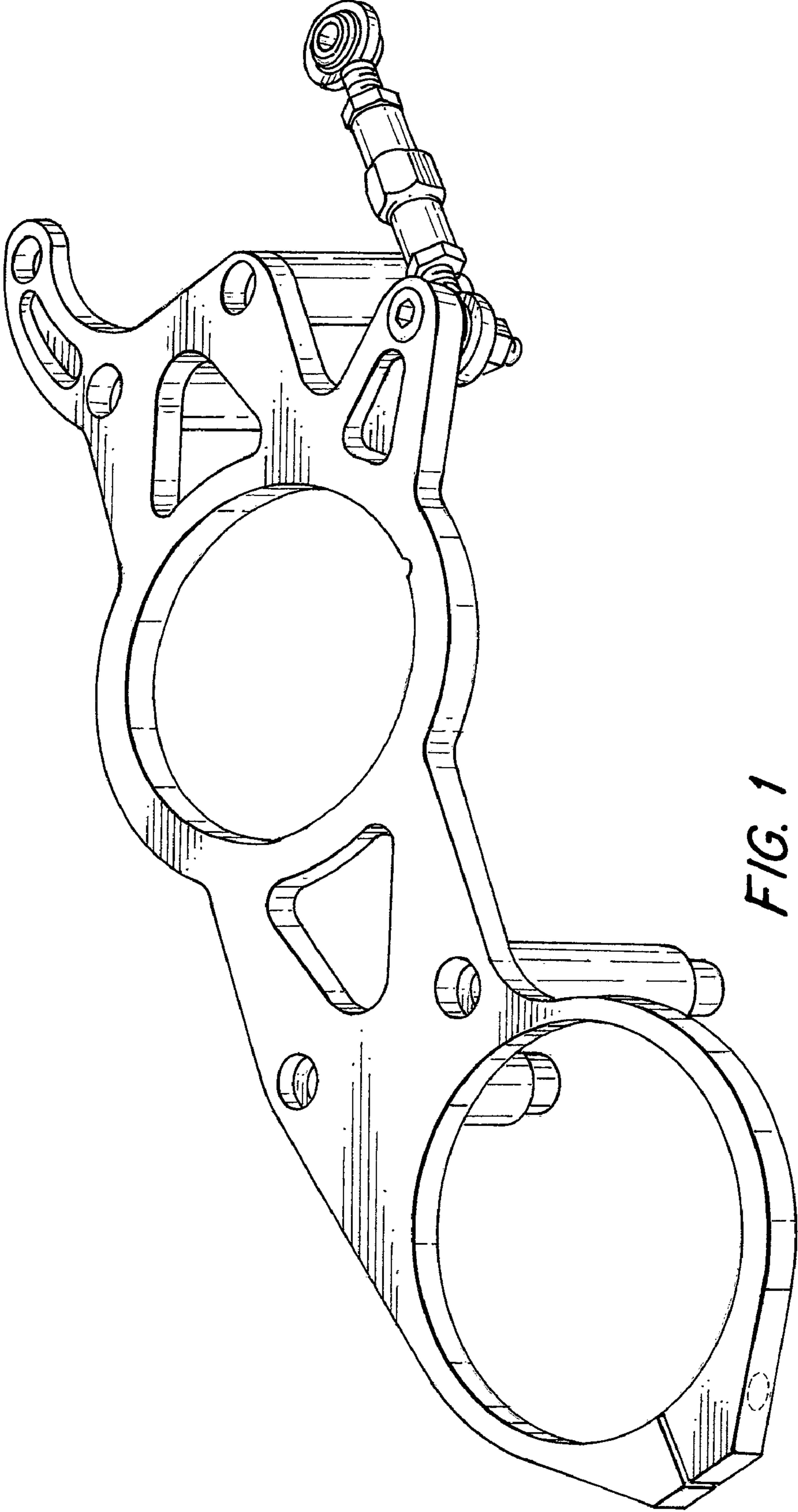


FIG. 1

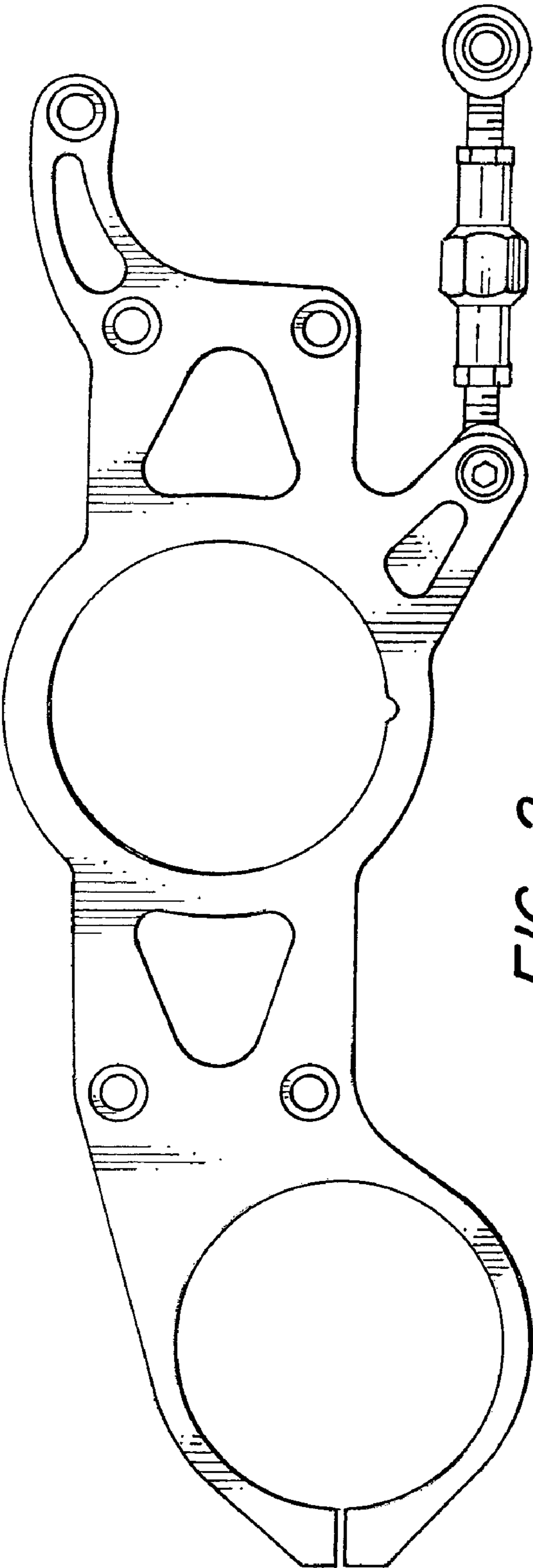


FIG. 2

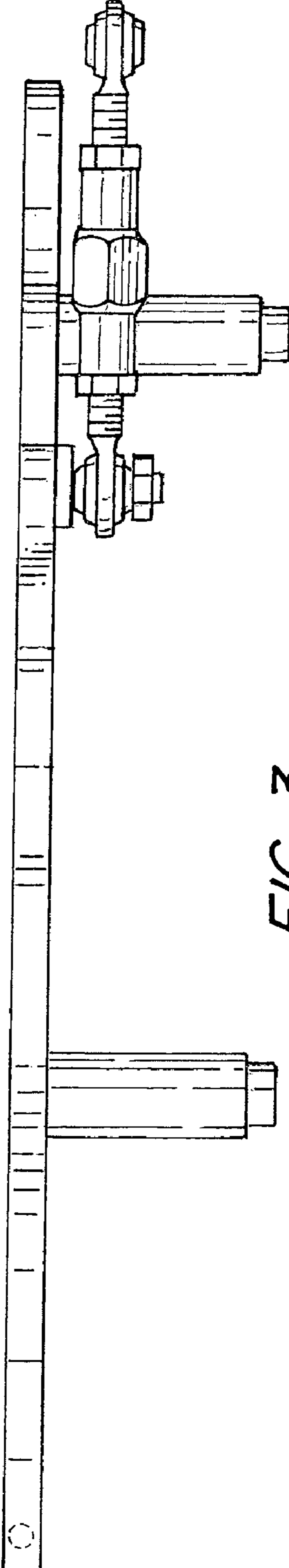


FIG. 3

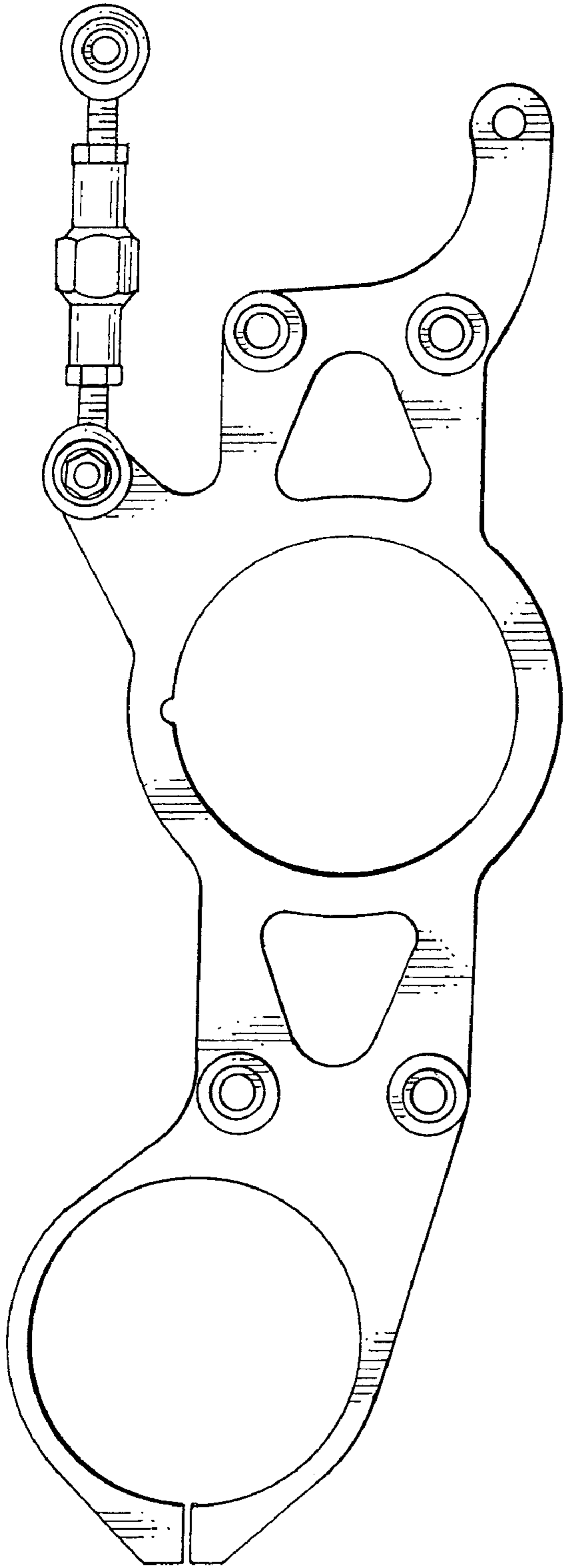


FIG. 4

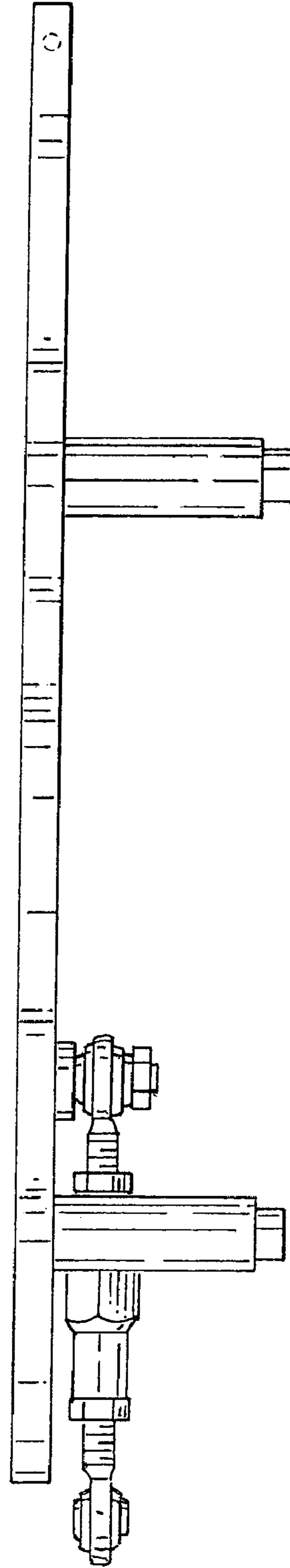


FIG. 5

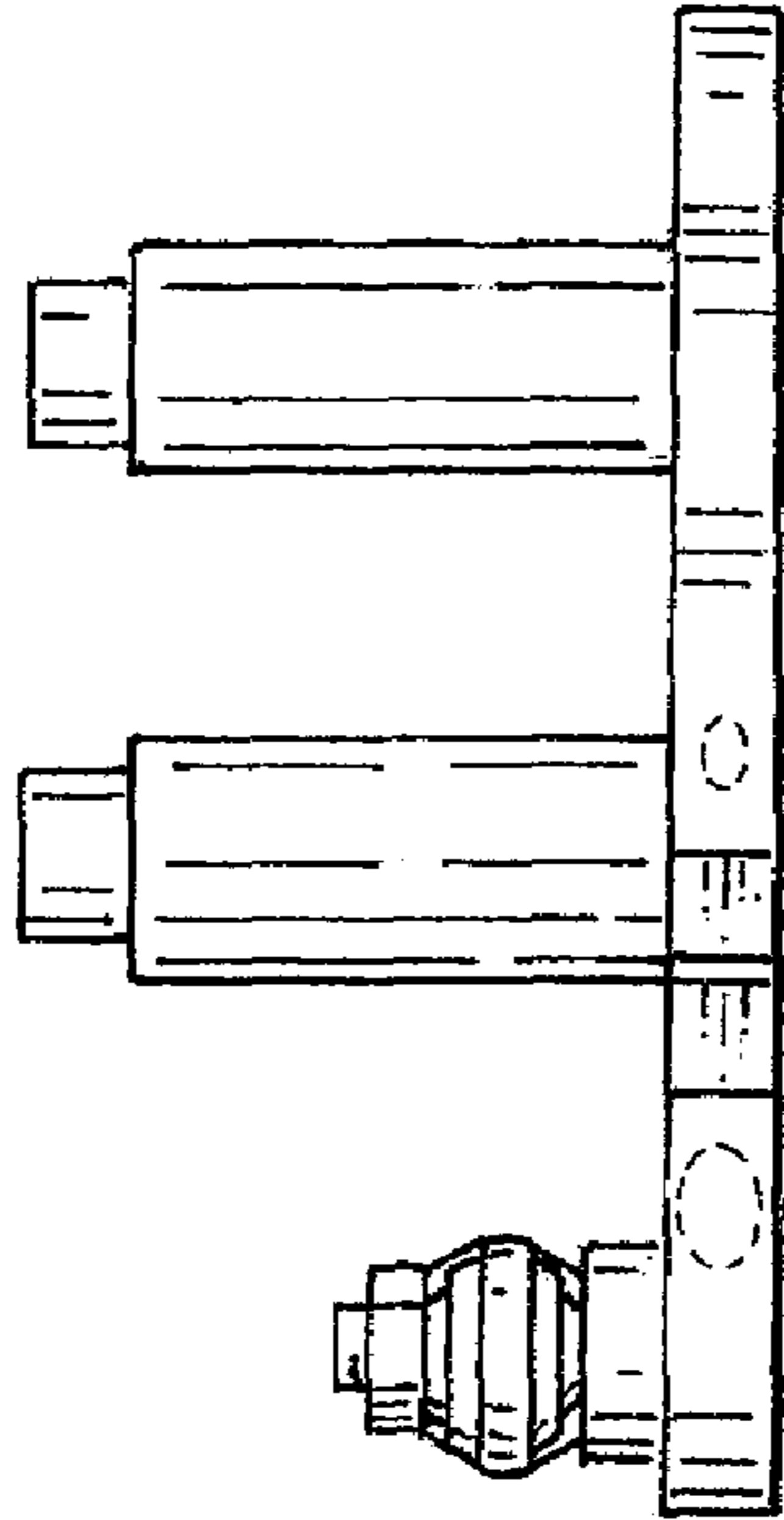


FIG. 6

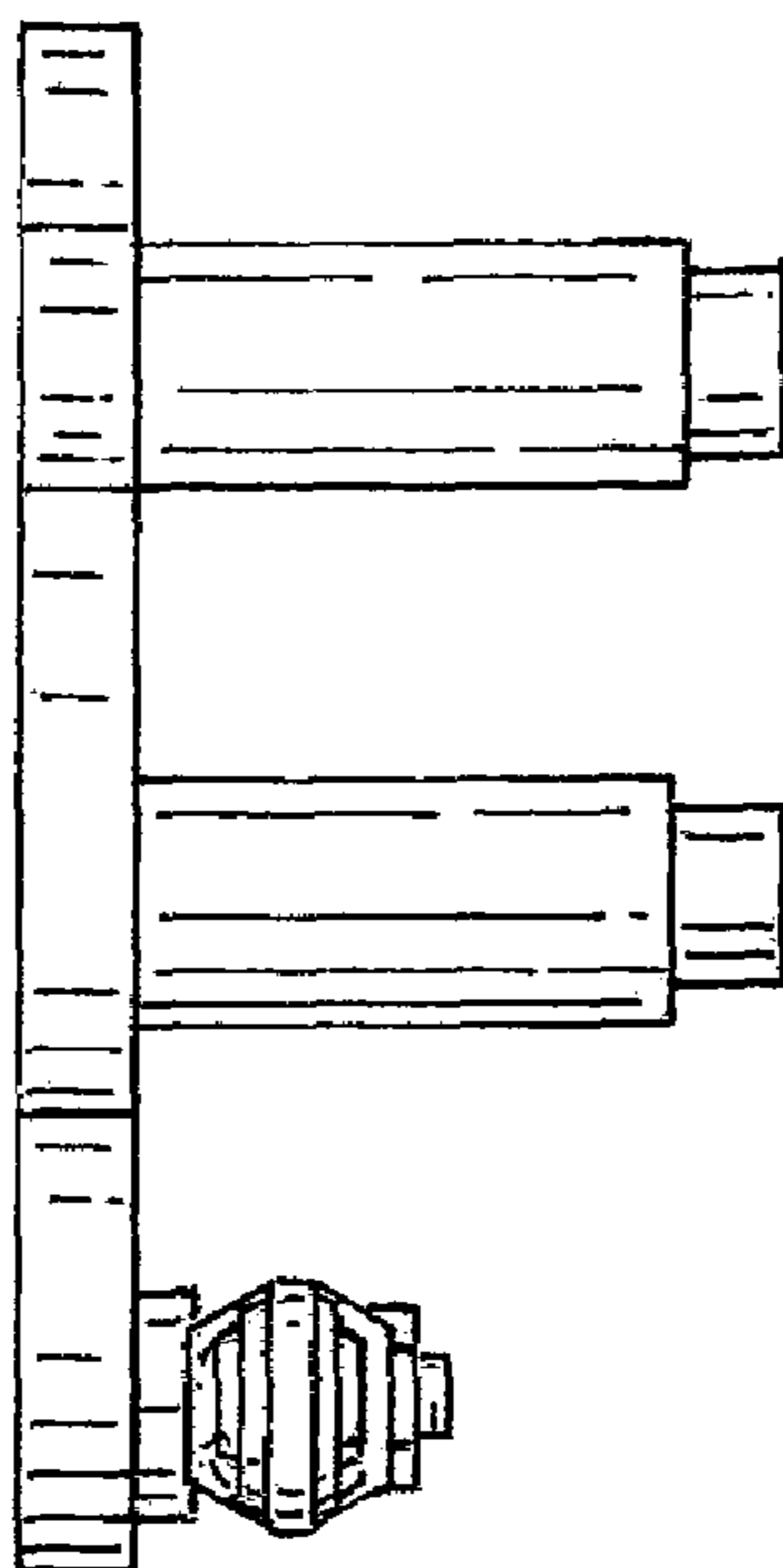


FIG. 7