



US00D600702S

(12) **United States Design Patent**  
**Osborne et al.**

(10) **Patent No.:** **US D600,702 S**  
(45) **Date of Patent:** **\*\* Sep. 22, 2009**

(54) **ICON FOR A PORTION OF A DISPLAY SCREEN**

(75) Inventors: **Chris Osborne**, Efland, NC (US); **James H. Y. Lee**, San Diego, CA (US); **Michael Tsay**, Irvine, CA (US)

(73) Assignee: **Honda Motor Co., Ltd.**, Tokyo (JP)

(\*\*) Term: **14 Years**

(21) Appl. No.: **29/323,144**

(22) Filed: **Aug. 19, 2008**

(51) **LOC (9) Cl.** ..... **32-00**

(52) **U.S. Cl.** ..... **D14/492**

(58) **Field of Classification Search** ..... D14/485-495;  
D18/26, 31-33; D20/11-12, 23-25, 29-32,  
D20/36-38; 715/700-867, 973-977

See application file for complete search history.

(56) **References Cited**

**U.S. PATENT DOCUMENTS**

D278,804 S *	5/1985	Tanikawa .....	D14/490
D343,419 S *	1/1994	Pearce .....	D20/11
D343,866 S *	2/1994	Pearce .....	D20/11
D344,103 S *	2/1994	Pearce .....	D20/11
D425,499 S *	5/2000	Millington .....	D14/488
D445,428 S *	7/2001	Pattenden .....	D14/488
D468,750 S *	1/2003	Lane .....	D14/492
2005/0165777 A1 *	7/2005	Hurst-Hiller et al. ....	707/4

**OTHER PUBLICATIONS**

1000 Icons, Symbols+Pictograms: Visual Communication for Every Language, Rockport Publishers, Gloucester, MA © 2006, pp. 165 and 194.\*

Iconfactory : Freeware : Baby Spaceships, [online] Sep. 12, 2006 [retrieved on Apr. 4, 2007]. Retrieved from the Internet <URL: http://iconfactory.com/freeware/preview/bss1>.\*

Iconfactory : Freeware : Star Wars: Attack of the Clones, [online] May 16, 2002 [retrieved on Apr. 4, 2007]. Retrieved from the Internet <URL: http://iconfactory.com/freeware/preview/aotc>.\*

IconExperience—'Objects and People', © Copyright 2006, Incors GmbH, p. 13, airplane [online], [retrieved on Jan. 24, 2007]. Retrieved from the Internet <URL: http://www.IconExperience.com>.\*

Excerpt from Future Web Design Catalog, Plan\_5b [online], [retrieved on Apr. 4, 2007]. Retrieved from the Internet <URL: http://www.icons shock.com>.\*

Excerpt from Plastic Accounting Catalog, Plane [online], [retrieved on Apr. 4, 2007]. Retrieved from the Internet <URL: http://www.icons shock.com>.\*

Excerpt from Lumina Web Design Catalog, Plan\_bb [online], [retrieved on Apr. 4, 2007]. Retrieved from the Internet <URL: http://www.icons shock.com>.\*

Excerpt from Lumina Web Design Catalog, Plan\_cb [online], [retrieved on Apr. 4, 2007]. Retrieved from the Internet <URL: http://www.icons shock.com>.\*

\* cited by examiner

*Primary Examiner*—Cathron C Brooks

*Assistant Examiner*—Karen E Kearney

(74) *Attorney, Agent, or Firm*—Plumsea Law Group, LLC; Mark E. Duell

(57) **CLAIM**

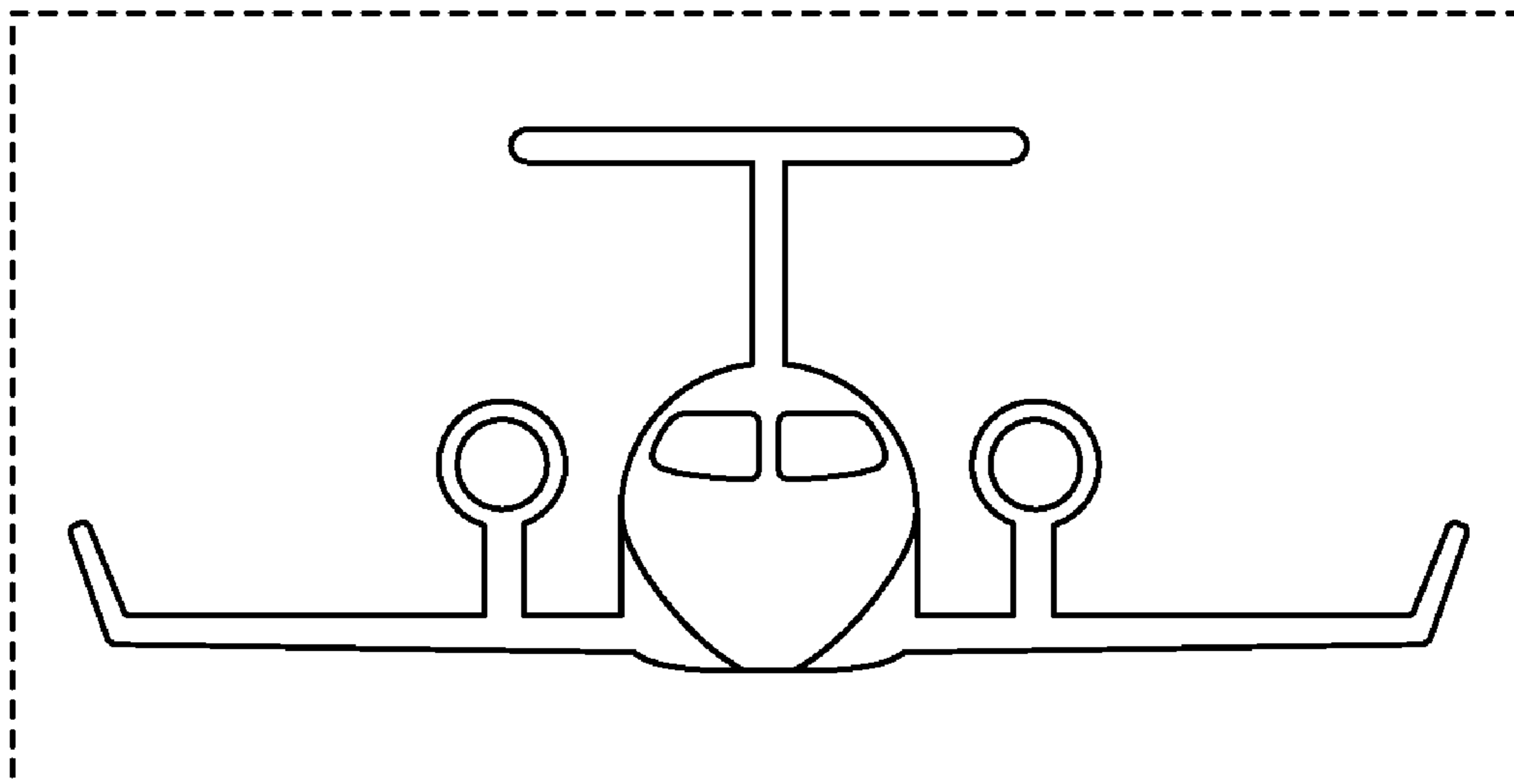
The ornamental design for an icon for a portion of a display screen, as shown and described.

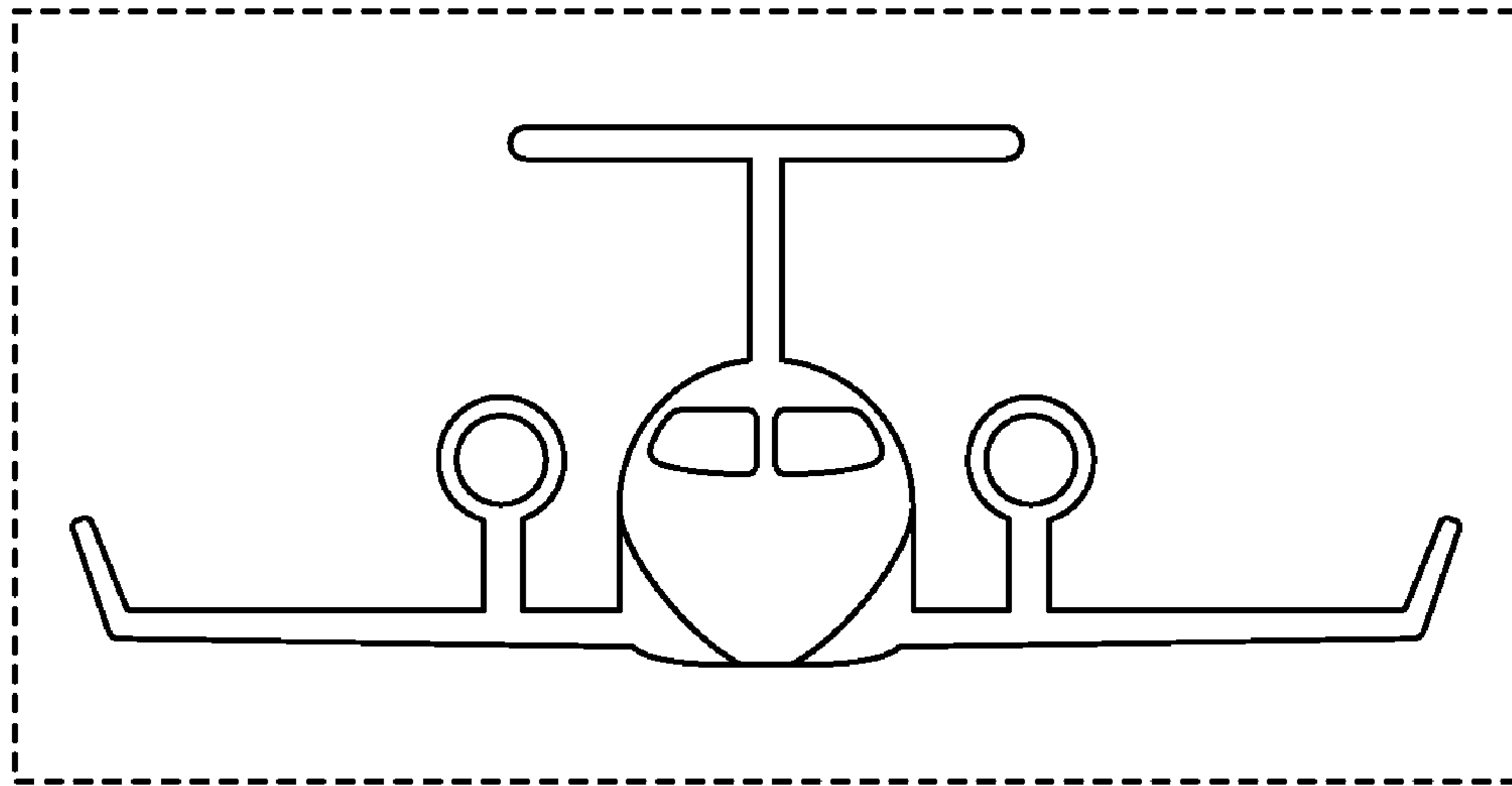
**DESCRIPTION**

The FIGURE is a front view of an icon for a portion of a display screen showing our new design.

The broken line showing of a portion of a display screen depicts environmental subject matter and form no part of the claimed design

**1 Claim, 1 Drawing Sheet**





FIGURE