



(12) **United States Design Patent**  
**Kuehn et al.**

(10) **Patent No.:** **US D600,700 S**  
(45) **Date of Patent:** **\*\* Sep. 22, 2009**

(54) **COMPUTER TOWER BEZEL**

(75) Inventors: **Keith J. Kuehn**, Spring, TX (US);  
**Belgie B. McClelland**, Tomball, TX  
(US); **George R. Daniels**, Cypress, TX  
(US); **Stefan Pannenbecker**, Cologne  
(DE)

(73) Assignee: **Hewlett-Packard Development  
Company, L.P.**, Houston, TX (US)

(\*\*) Term: **14 Years**

(21) Appl. No.: **29/321,458**

(22) Filed: **Jul. 16, 2008**

(51) **LOC (9) Cl.** ..... **14-02**

(52) **U.S. Cl.** ..... **D14/441**

(58) **Field of Classification Search** ..... D14/300,  
D14/308–313, 348, 356, 441–446, 214, 358;  
D13/184, 199; 360/99.01–99.12; 361/680–687,  
361/690–696, 752, 679.55, 679.57; 369/34.01,  
369/36.01; 312/223.1–223.3, 298, 326  
See application file for complete search history.

(56) **References Cited**

**U.S. PATENT DOCUMENTS**

D425,044 S \* 5/2000 Jean et al. .... D14/446

6,478,392 B2 \* 11/2002 Gan et al. .... 312/326  
D500,043 S \* 12/2004 Zhang et al. .... D14/441  
D514,110 S \* 1/2006 Liu et al. .... D14/441  
D521,007 S \* 5/2006 Huang et al. .... D14/444  
D530,332 S \* 10/2006 Wang ..... D14/444  
D539,288 S \* 3/2007 Li ..... D14/444  
7,265,971 B2 \* 9/2007 Chen et al. .... 361/679.55  
D572,258 S \* 7/2008 Chen et al. .... D14/444

\* cited by examiner

*Primary Examiner*—Freda S Nunn

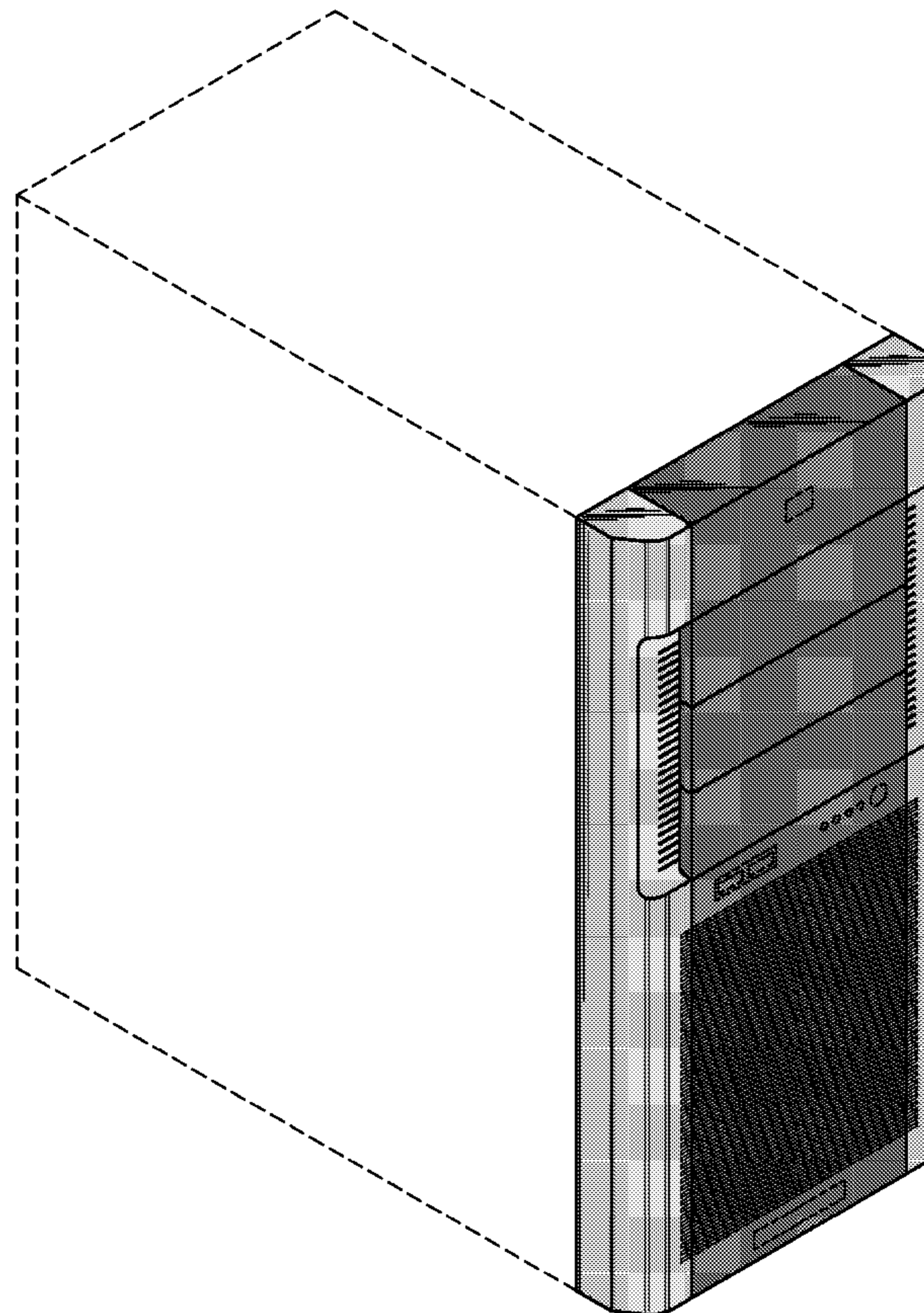
(57) **CLAIM**

The ornamental design for computer tower bezel, as shown and described.

**DESCRIPTION**

FIG. 1 is a perspective view of a computer tower bezel;  
FIG. 2 is a front view thereof;  
FIG. 3 is a side view thereof;  
FIG. 4 is a top view thereof; and,  
FIG. 5 is a perspective view thereof showing a color scheme.  
Broken lines shown in the drawings illustrate portions of the computer tower bezel and computer tower, and form no part of the claimed design.

**1 Claim, 4 Drawing Sheets**



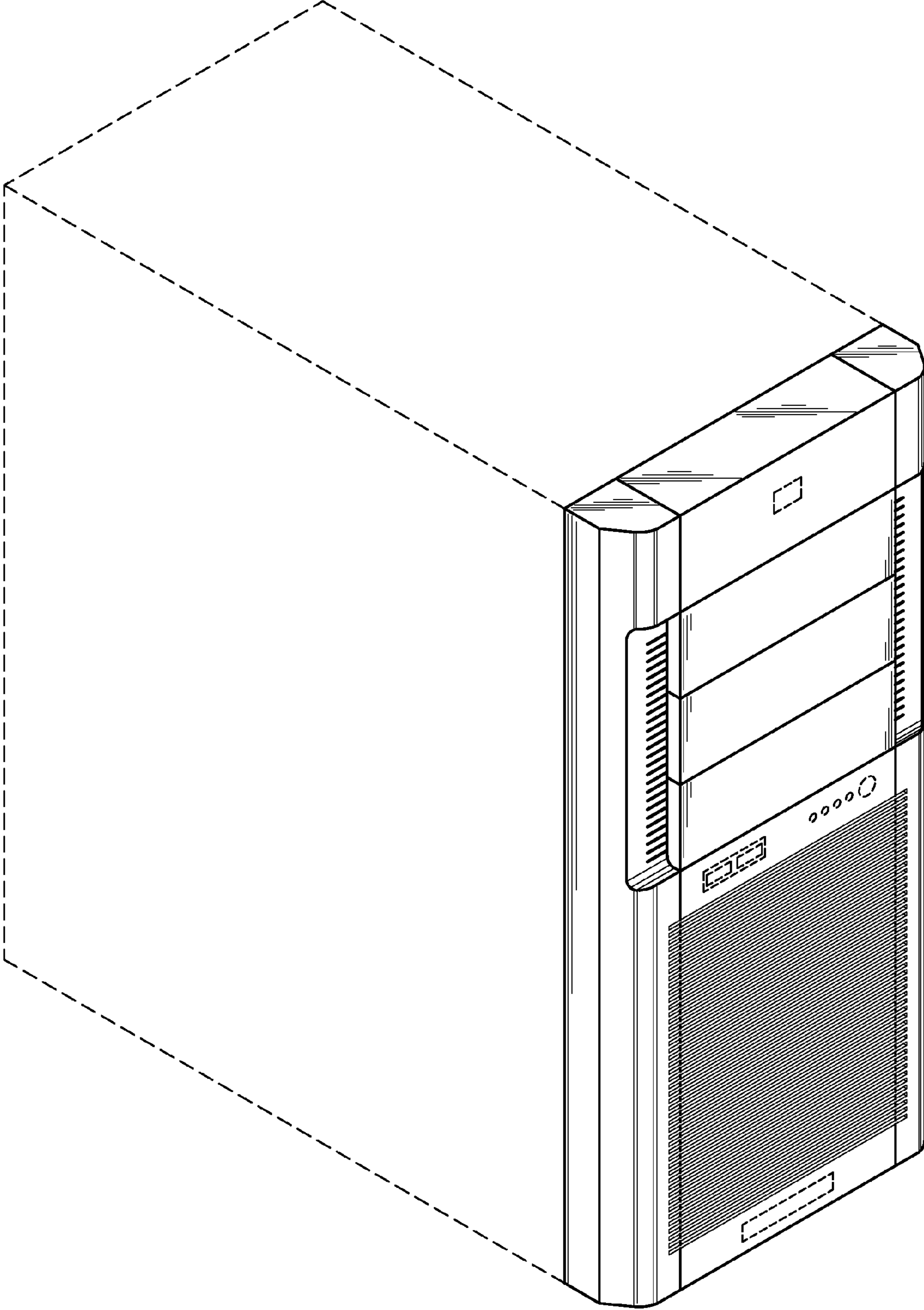
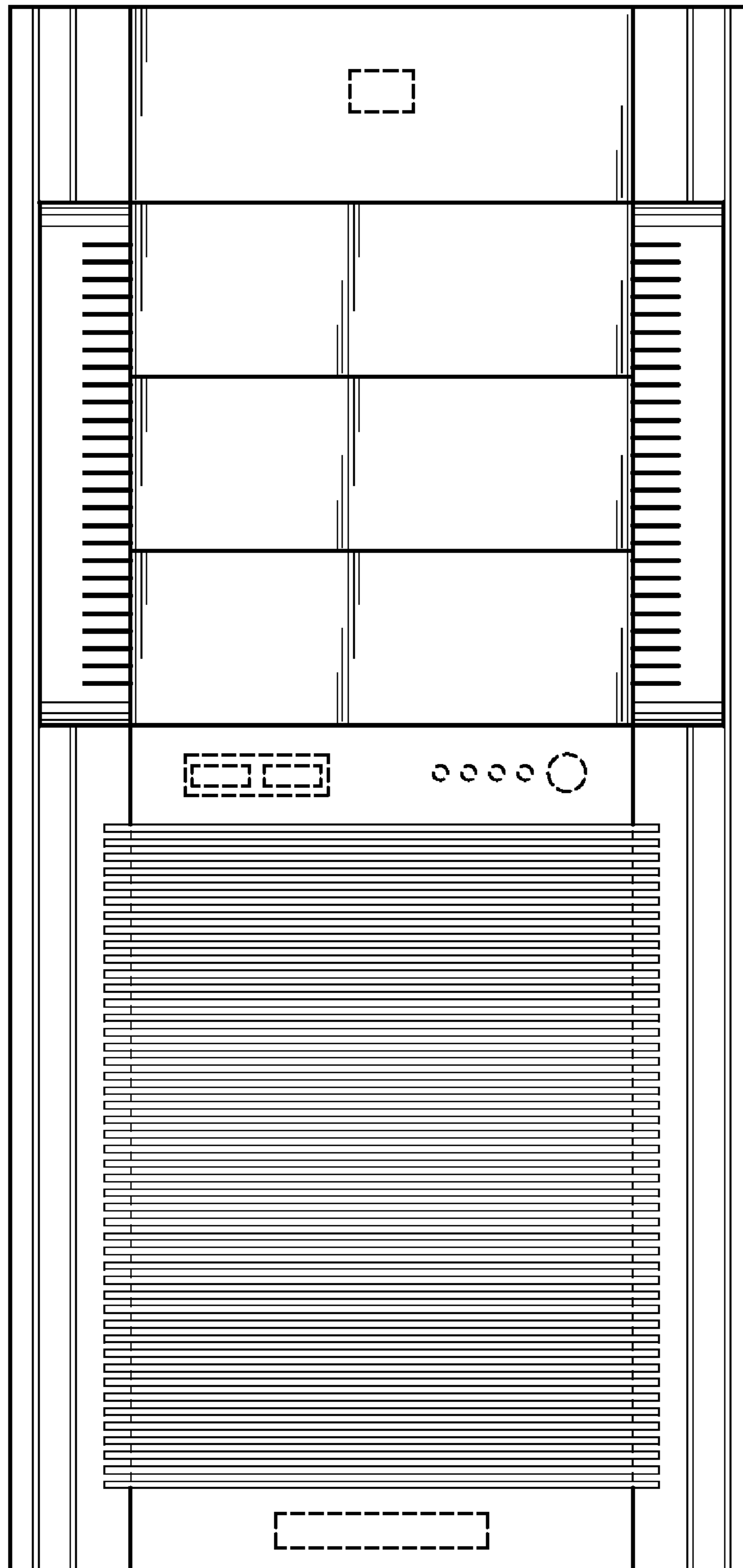


FIG. 1



**FIG.2**



FIG. 4

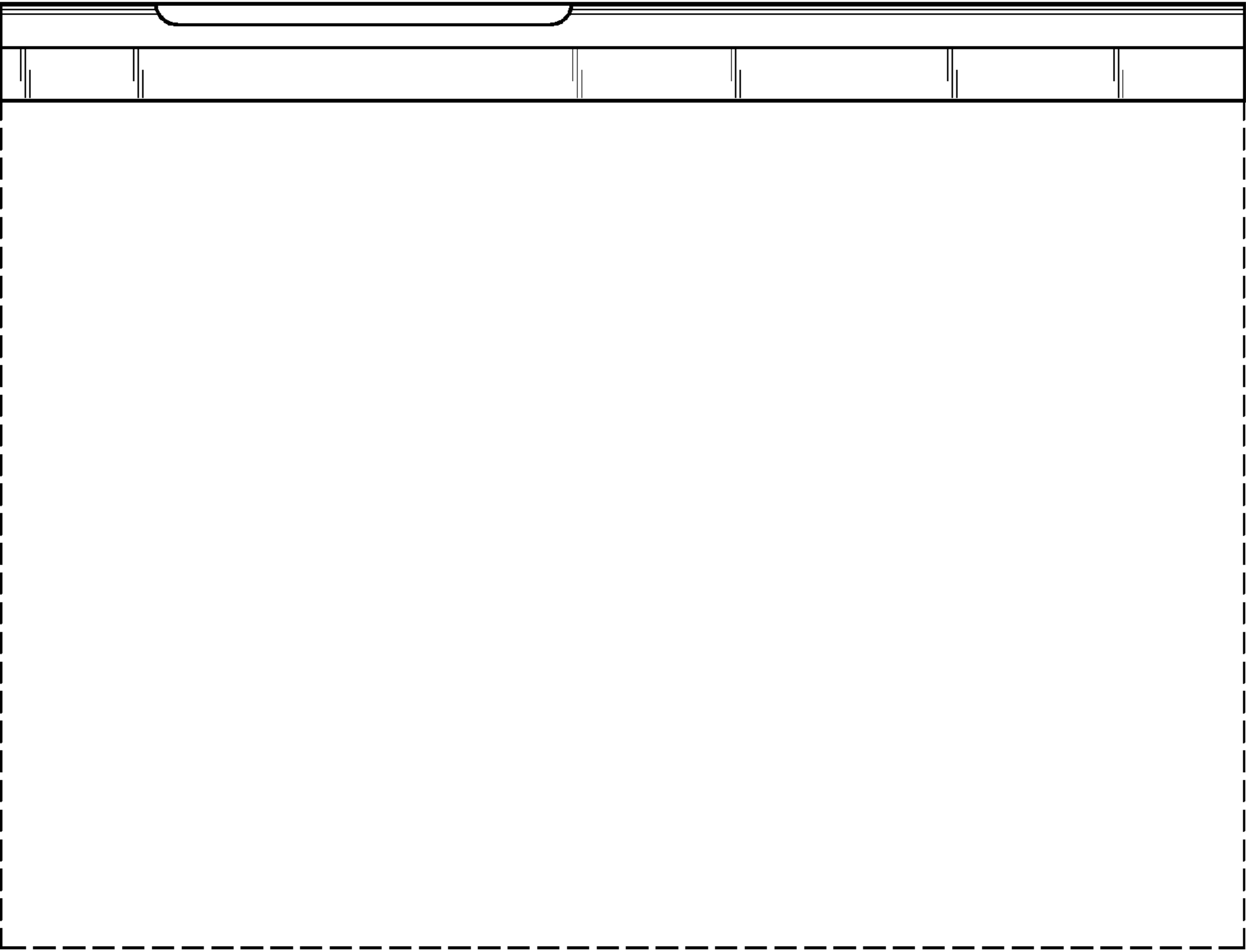


FIG. 3

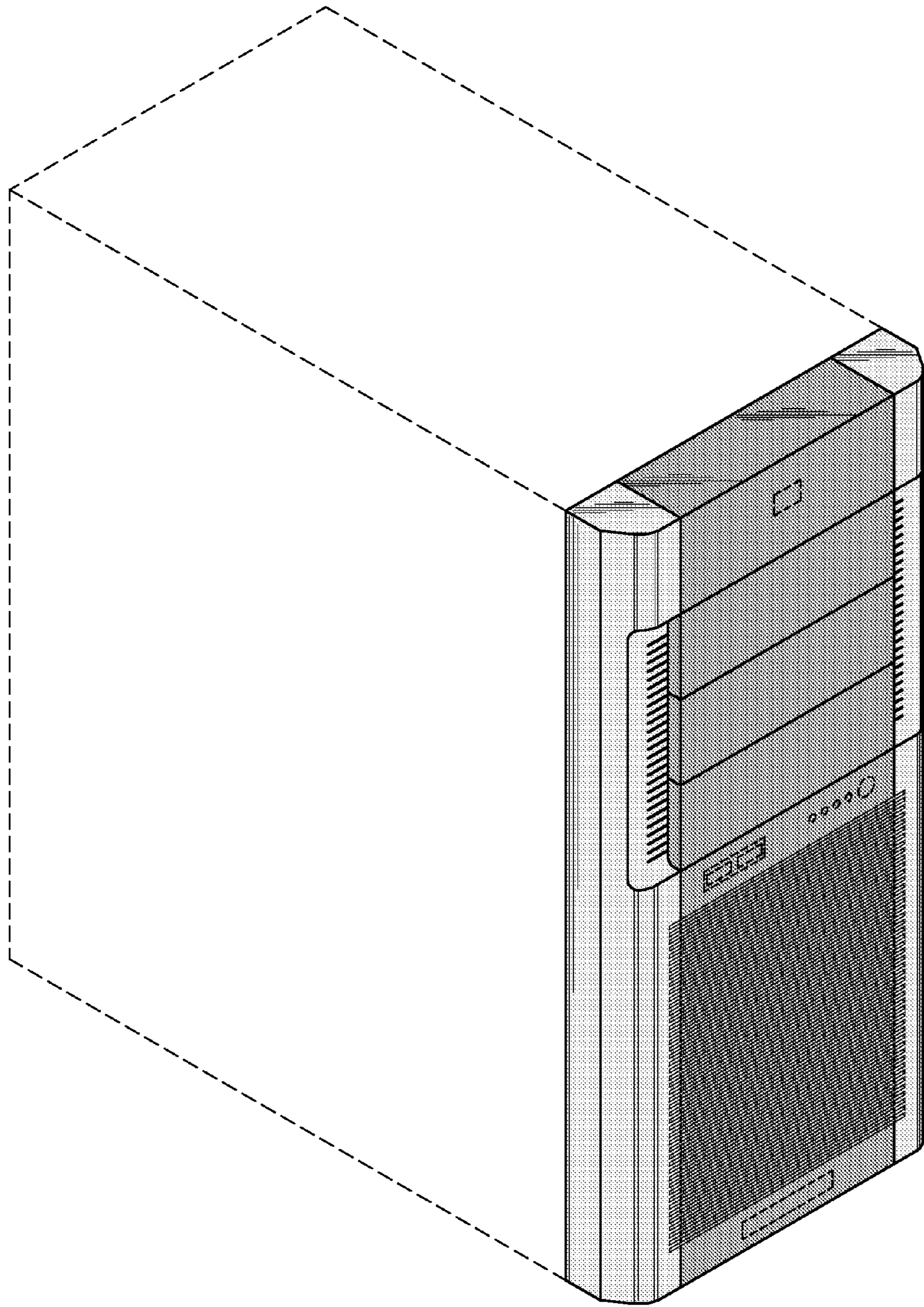


FIG. 5