



(12) **United States Design Patent**
Kramer et al.

(10) **Patent No.:** **US D600,698 S**
(45) **Date of Patent:** **** Sep. 22, 2009**

(54) **BLADE INFORMATION HANDLING SYSTEM HANDLE**

(75) Inventors: **Paul Kramer**, Austin, TX (US);
Richard Crisp, Austin, TX (US);
Vincent Lam, Austin, TX (US)

(73) Assignee: **Dell Products L.P.**, Round Rock, TX (US)

(**) Term: **14 Years**

(21) Appl. No.: **29/275,830**

(22) Filed: **Jan. 8, 2007**

(51) **LOC (9) Cl.** **14-02**

(52) **U.S. Cl.** **D14/432**

(58) **Field of Classification Search** D14/300–302,
D14/308–314, 328, 348, 349, 356–370, 432,
D14/439–447, 465, 134; D13/123, 133,
D13/146, 147, 154, 156, 158, 162, 173, 175,
D13/177, 184, 110; D8/331, 336, 338, 349;
361/683–686, 725–727; 439/372, 116, 157;
312/333, 332.1, 223.1

See application file for complete search history.

(56) **References Cited**

U.S. PATENT DOCUMENTS

D300,921	S	*	5/1989	Tetreault	D13/154
D312,632	S	*	12/1990	Furuya	D14/465
D332,256	S	*	1/1993	Lewis	D14/367
D348,259	S	*	6/1994	Bates et al.	D14/367
5,344,194	A	*	9/1994	Hatagishi et al.	439/157
5,417,513	A	*	5/1995	Hayashi	439/372
D370,892	S	*	6/1996	Shima et al.	D14/314
D383,736	S	*	9/1997	Corrington et al.	D14/367
D391,556	S	*	3/1998	Corrington et al.	D14/367
5,791,753	A	*	8/1998	Paquin	312/332.1
D404,383	S	*	1/1999	Chang	D14/367
D410,451	S	*	6/1999	Konshak et al.	D14/367
6,040,981	A	*	3/2000	Schmitt et al.	361/695
D423,451	S	*	4/2000	Heckenast et al.	D13/110

D424,027	S	*	5/2000	Shoda et al.	D13/184
D429,213	S	*	8/2000	Colver et al.	D13/110
6,134,115	A	*	10/2000	Sim et al.	361/747
6,178,086	B1	*	1/2001	Sim et al.	361/683
6,222,736	B1	*	4/2001	Sim et al.	361/727
6,231,145	B1	*	5/2001	Liu	312/332.1
6,407,913	B1	*	6/2002	Peachey et al.	361/685
D476,631	S	*	7/2003	Frank et al.	D13/182
D477,605	S	*	7/2003	Frank et al.	D14/441
6,631,536	B2	*	10/2003	Feldmeyer	361/685
D483,377	S		12/2003	Mundt	D14/440

(Continued)

Primary Examiner—Cathron C Brooks

Assistant Examiner—Deanna Fluegeman

(74) *Attorney, Agent, or Firm*—Hamilton & Terrile, LLP;
Robert W. Holland

(57) **CLAIM**

The ornamental design for a blade information handling system handle, as shown and described.

DESCRIPTION

FIG. 1 is a front perspective view of the handle coupled to a blade information handling system comprising the present invention;

FIG. 2 is a front perspective view thereof with the handle extended from the blade information handling system;

FIG. 3 is a front side view thereof;

FIG. 4 is a left side view thereof;

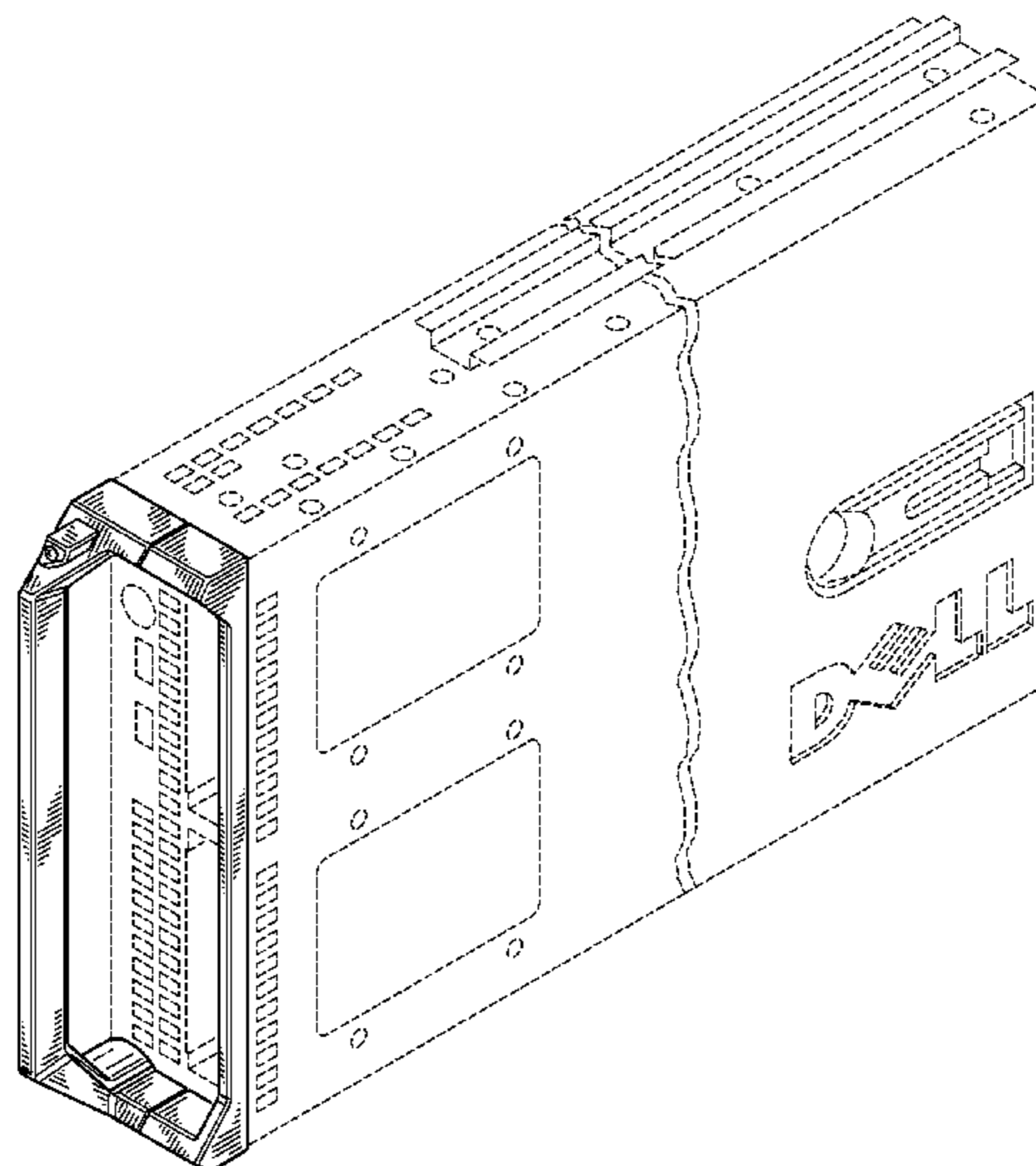
FIG. 5 is a right side view thereof;

FIG. 6 is a top plan view thereof; and,

FIG. 7 is a bottom plan view thereof.

The broken line showing of portions of the blade information handling system handle is included for the purpose of illustrating environmental structure and forms no part of the claimed design.

1 Claim, 4 Drawing Sheets



US D600,698 S

Page 2

U.S. PATENT DOCUMENTS

D483,766 S	12/2003	Mundt	D14/440	D517,062 S *	3/2006	Yu et al.	D14/300
D484,509 S *	12/2003	Frank et al.	D14/441	D551,620 S *	9/2007	McClelland, II	D13/110
D494,159 S *	8/2004	Wilson et al.	D14/313	7,354,293 B2 *	4/2008	Liang	439/372
D494,975 S	8/2004	McClelland, II et al. ...	D14/435	D570,848 S *	6/2008	Deng	D14/441
D514,109 S *	1/2006	McClelland et al.	D14/439	2002/0101713 A1 *	8/2002	Eland	361/686

* cited by examiner

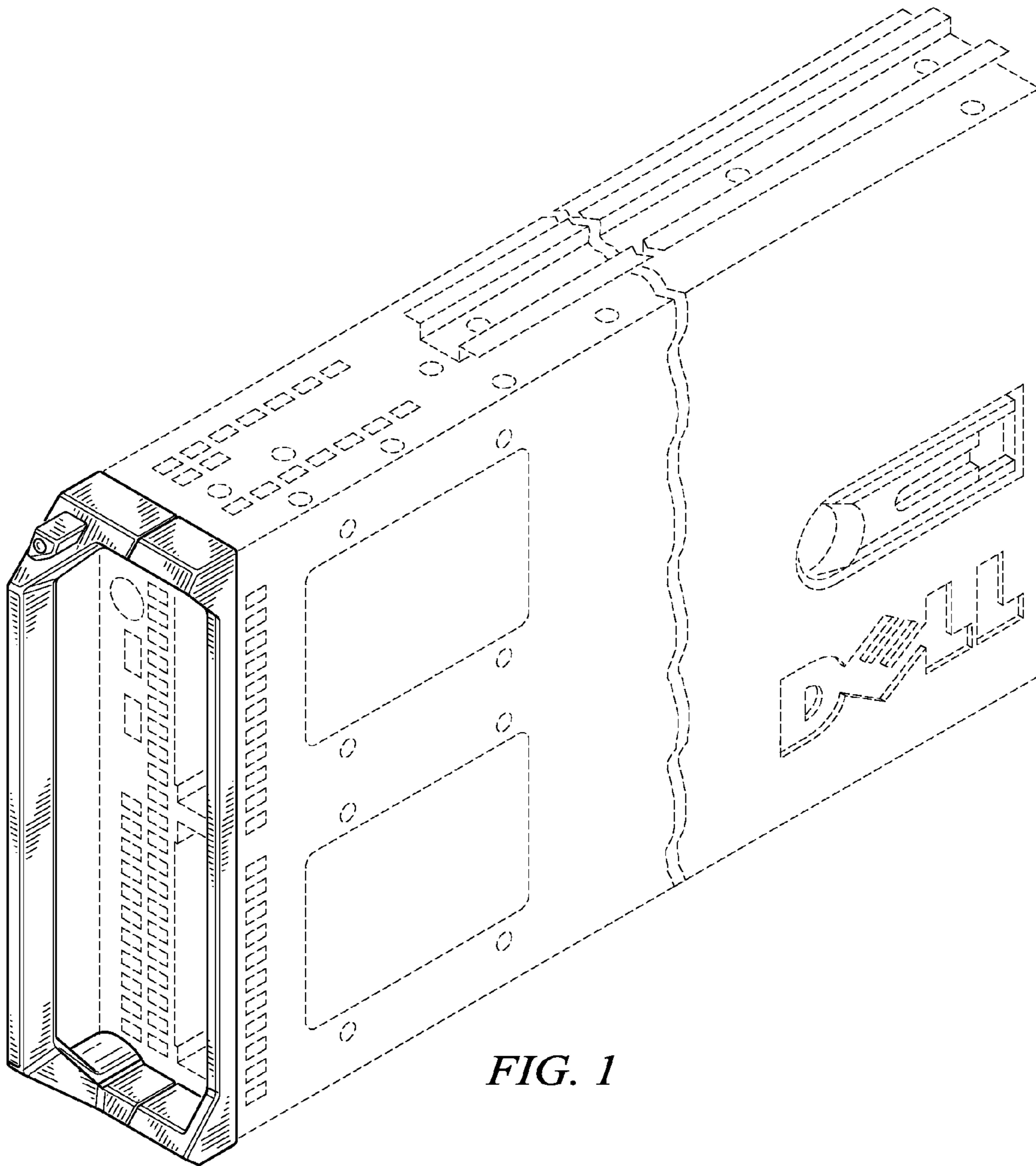


FIG. 1

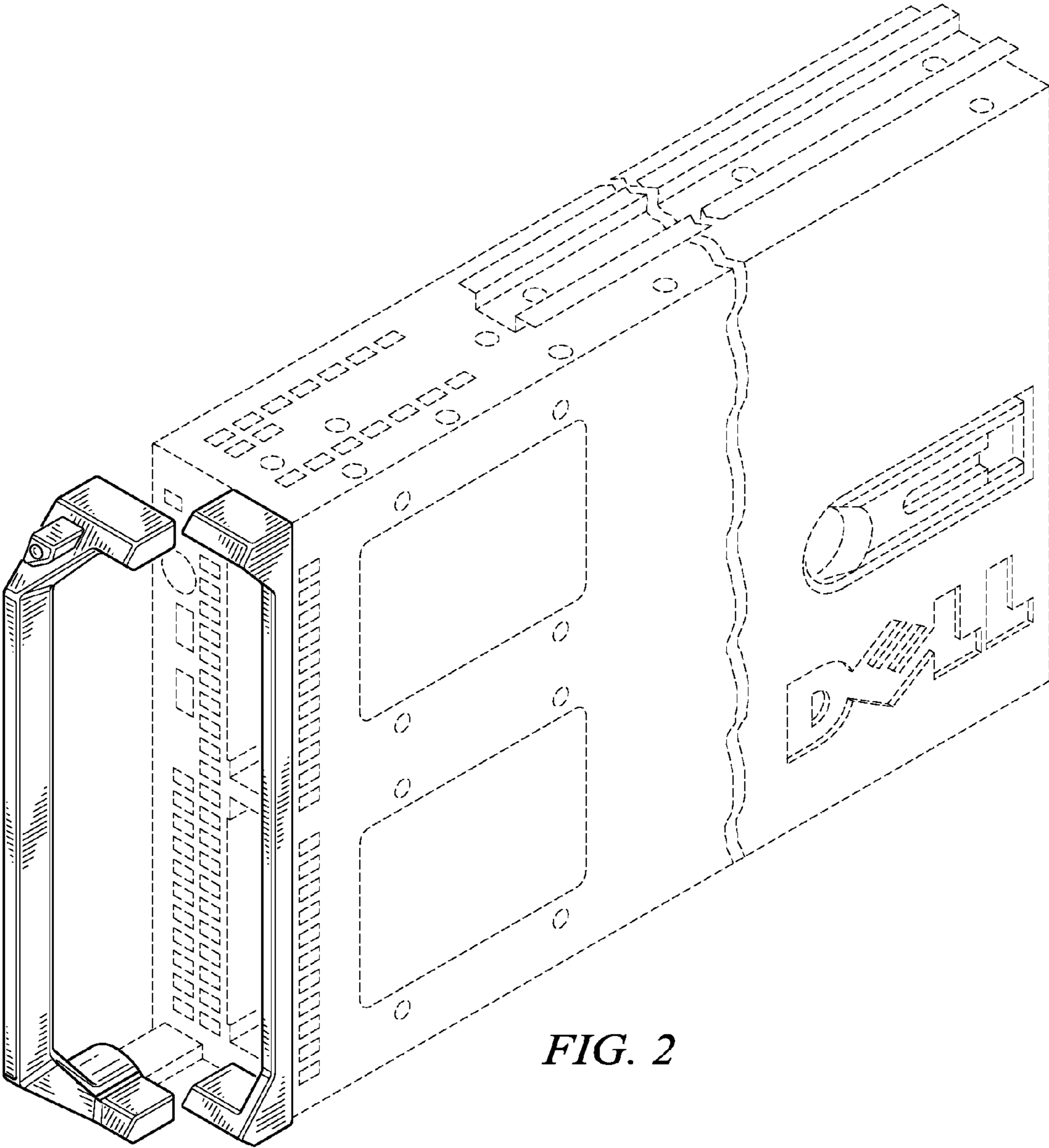


FIG. 2

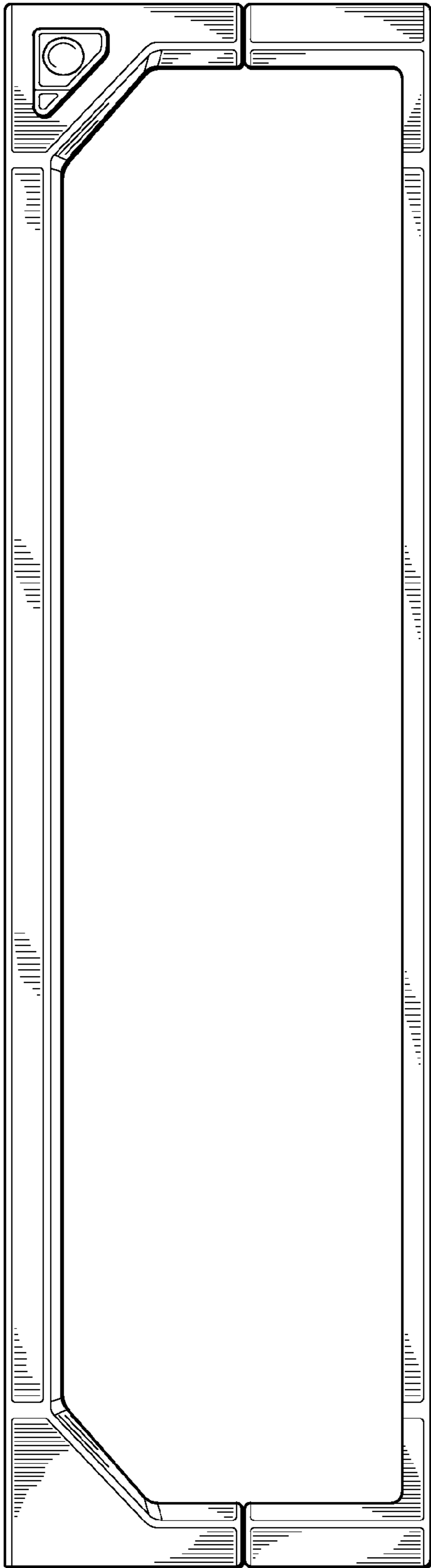


FIG. 3

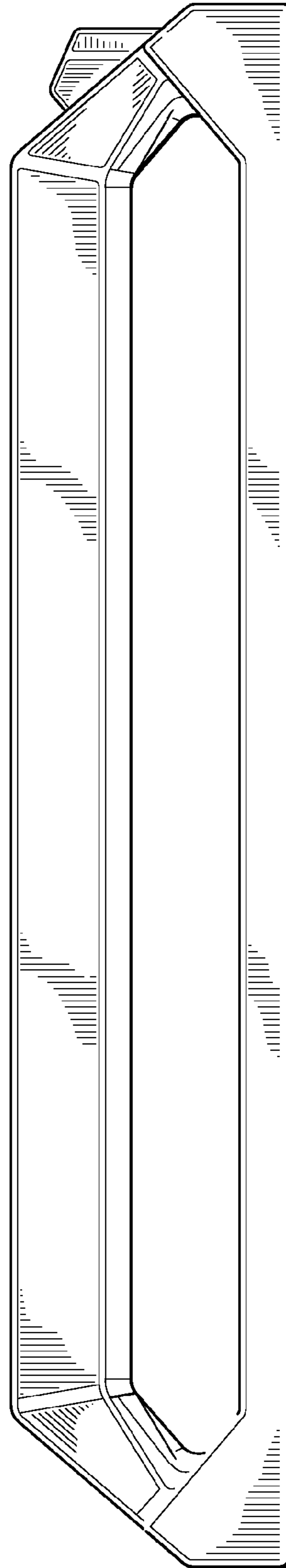


FIG. 4

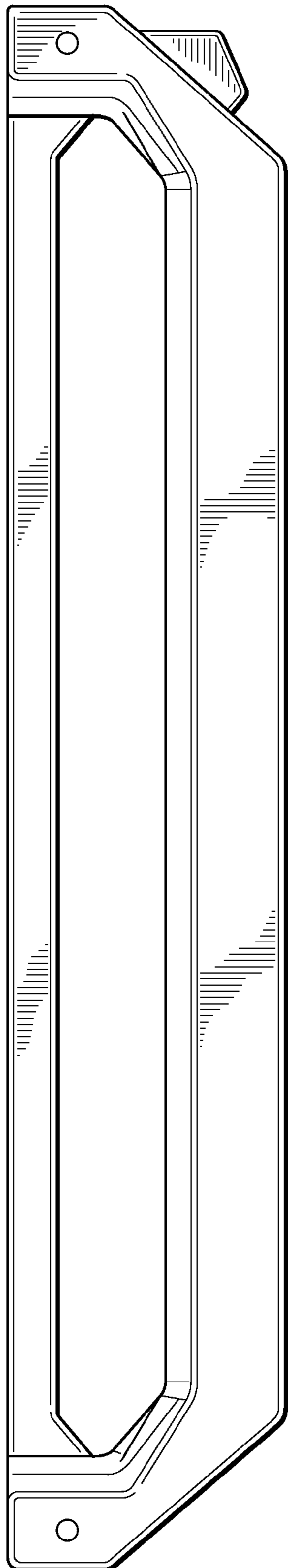


FIG. 5

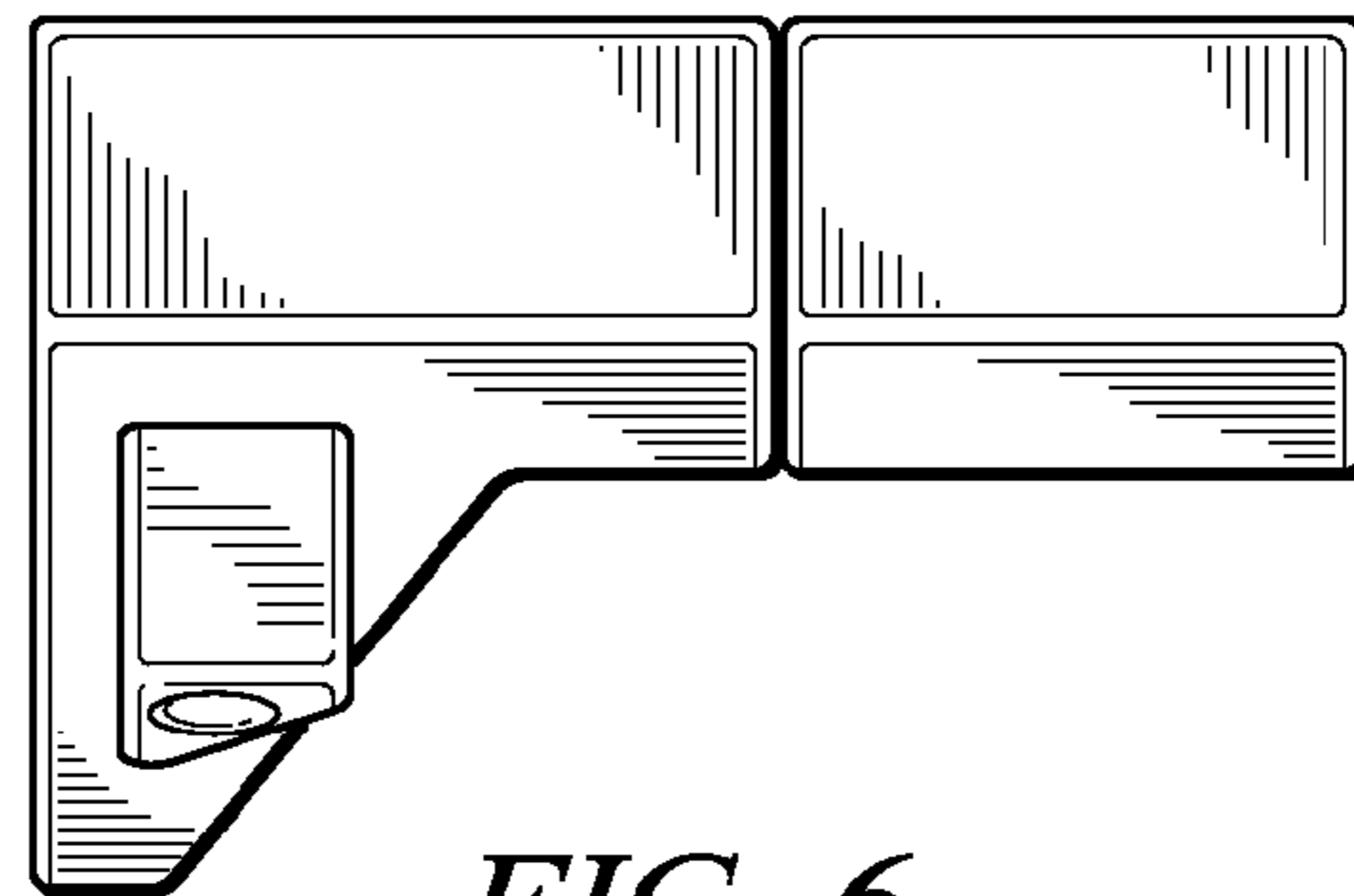


FIG. 6

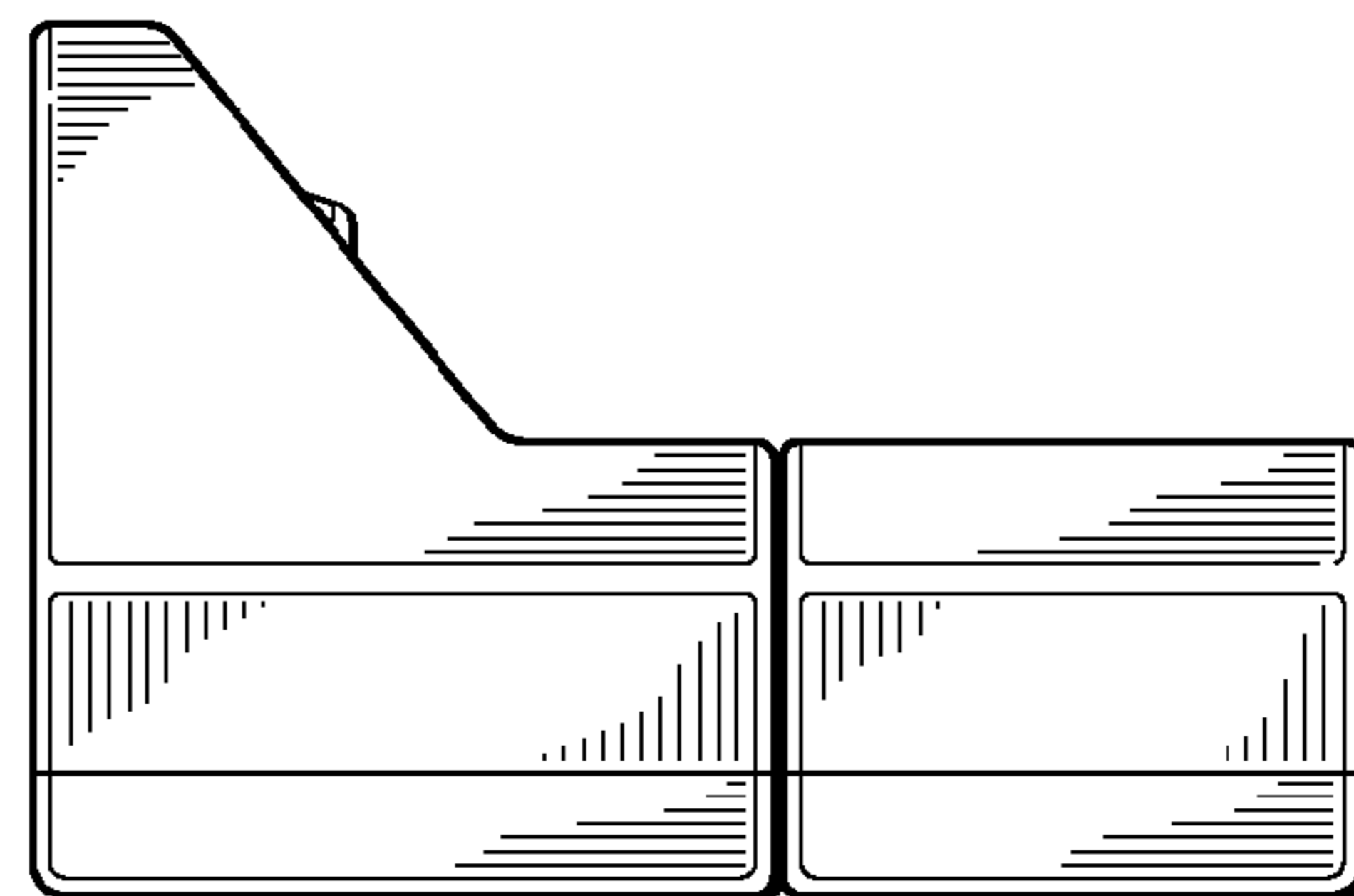


FIG. 7