



US00D600695S

(12) **United States Design Patent**  
**Niitsu et al.**

(10) **Patent No.:** **US D600,695 S**  
(45) **Date of Patent:** **\*\* Sep. 22, 2009**

- (54) **COMPUTER MONITOR DISPLAY**
- (75) Inventors: **Takuya Niitsu**, Tokyo (JP); **Yasuaki Isonaga**, Tokyo (JP)
- (73) Assignee: **Sony Corporation**, Tokyo (JP)
- (\*\*) Term: **14 Years**
- (21) Appl. No.: **29/287,966**
- (22) Filed: **Oct. 5, 2007**
- (30) **Foreign Application Priority Data**  
Apr. 6, 2007 (JP) ..... 2007-009322
- (51) **LOC (9) Cl.** ..... **14-02**
- (52) **U.S. Cl.** ..... **D14/371**
- (58) **Field of Classification Search** ..... D14/328,  
D14/331, 336-33, 343, 371-376, 125-129;  
248/917-924, 146; 341/12; 345/1.1, 104,  
345/156, 157, 168, 173; 348/180, 184, 352,  
348/739; 349/1, 2, 11, 62; 361/680-686  
See application file for complete search history.

- JP D1298289 S 4/2007
- JP D1298290 S 4/2007
- JP D1298291 S 4/2007
- JP D1298292 S 4/2007
- JP D1306081 S 7/2007
- JP D1306082 S 7/2007

\* cited by examiner

*Primary Examiner*—Freda S Nunn  
(74) *Attorney, Agent, or Firm*—Rsader, Fishman & Grauer, PLLC

(56) **References Cited**

**U.S. PATENT DOCUMENTS**

- D378,083 S \* 2/1997 Ando ..... D14/336
- D424,538 S \* 5/2000 Hayashi et al. .... D14/374
- D432,101 S 10/2000 Oba
- D458,238 S \* 6/2002 Niitsu ..... D14/126
- D460,056 S \* 7/2002 Niitsu ..... D14/126
- D495,706 S \* 9/2004 Lin et al. .... D14/374
- D496,361 S \* 9/2004 Hotta ..... D14/374
- D502,179 S \* 2/2005 Cha et al. .... D14/375
- D508,914 S \* 8/2005 Ishii ..... D14/337
- D510,351 S \* 10/2005 Choi ..... D14/371
- D519,117 S \* 4/2006 Lewis ..... D14/374
- D533,519 S \* 12/2006 Ellison ..... D14/126
- D543,164 S \* 5/2007 Yang et al. .... D14/126
- D549,973 S 9/2007 Petruccelli
- 2004/0113031 A1\* 6/2004 Sung ..... 248/146

**FOREIGN PATENT DOCUMENTS**

- JP D1284670 S 10/2006
- JP D1297822 S 4/2007
- JP D1297823 S 4/2007
- JP D1298288 S 4/2007

(57) **CLAIM**

The ornamental design for a computer monitor display, as shown and described.

**DESCRIPTION**

FIG. 1 is a perspective view of a computer monitor display showing our new design;

FIG. 2 is a front elevational view thereof;

FIG. 3 is a rear elevational view thereof;

FIG. 4 is a left side elevational view thereof;

FIG. 5 is a right side elevational view thereof;

FIG. 6 is a top plan view thereof; and

FIG. 7 is a bottom plan view thereof.

FIG. 8 is a perspective view of another computer monitor display;

FIG. 9 is a front elevational view thereof;

FIG. 10 is a rear elevational view thereof;

FIG. 11 is a left side elevational view thereof;

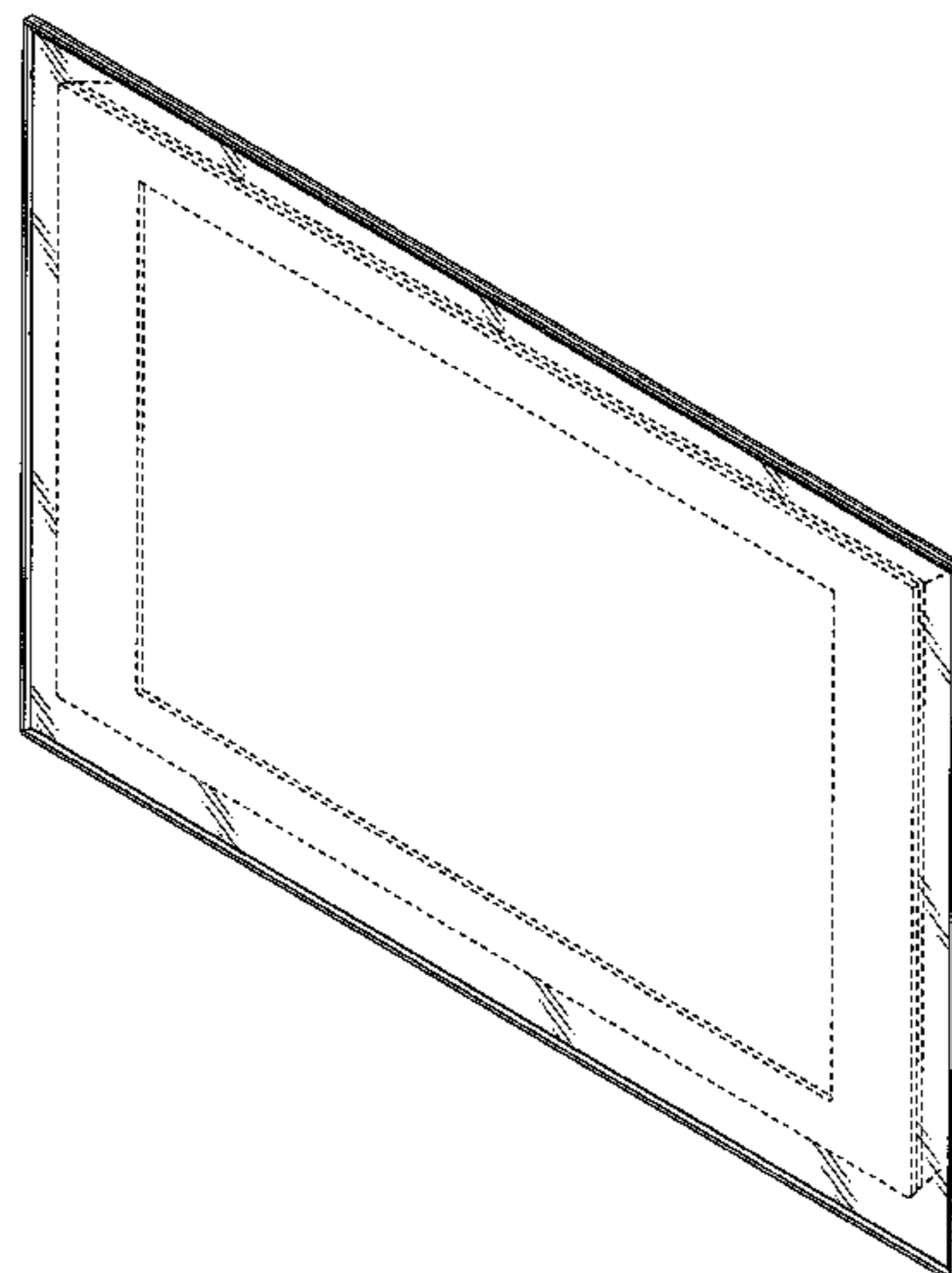
FIG. 12 is a right side elevational view thereof;

FIG. 13 is a top plan view thereof; and,

FIG. 14 is a bottom plan view thereof.

Broken lines shown in the drawings illustrate portions of the computer monitor display, and form no part of the claimed design.

**1 Claim, 14 Drawing Sheets**



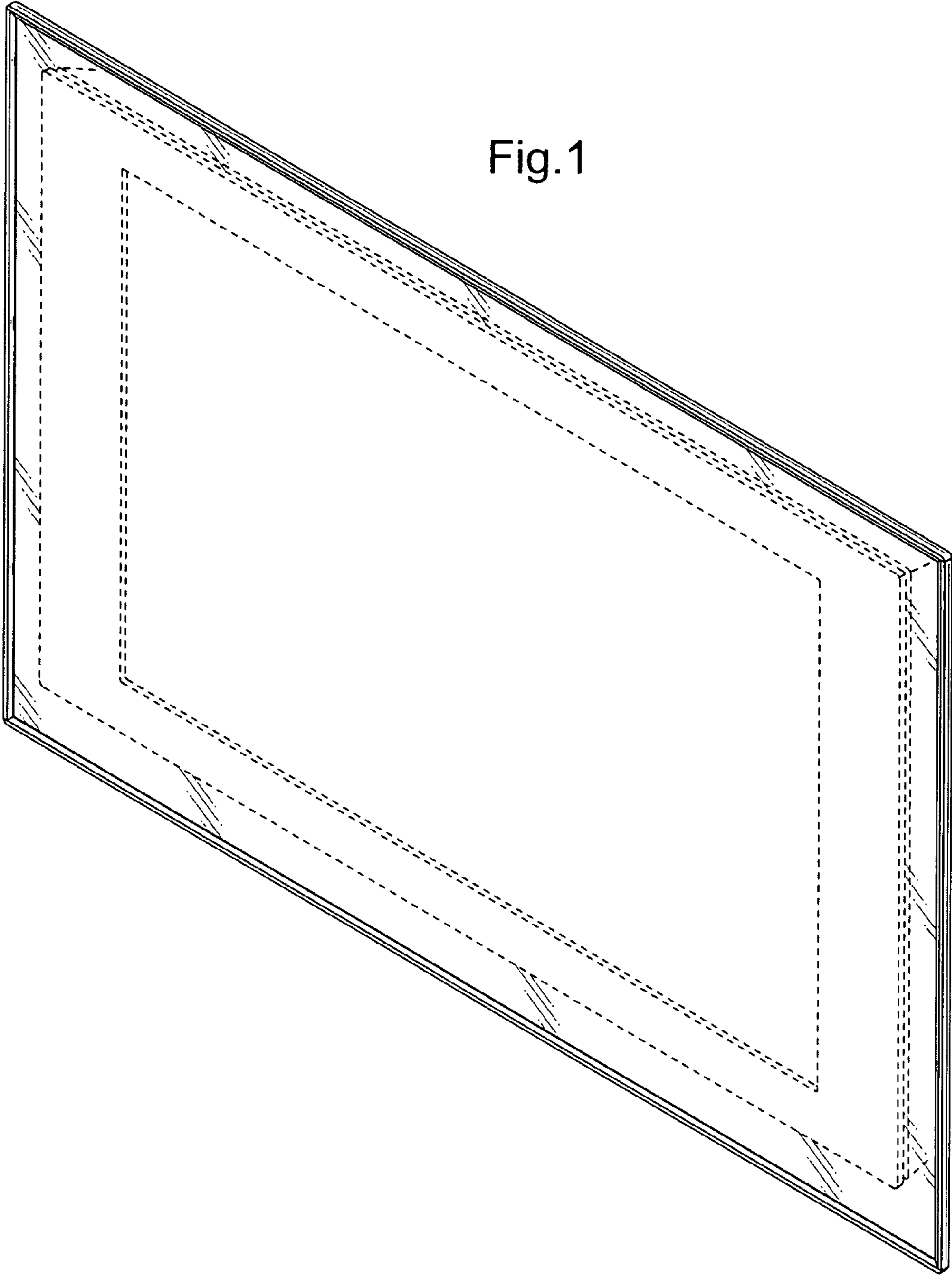


Fig.1

Fig.2

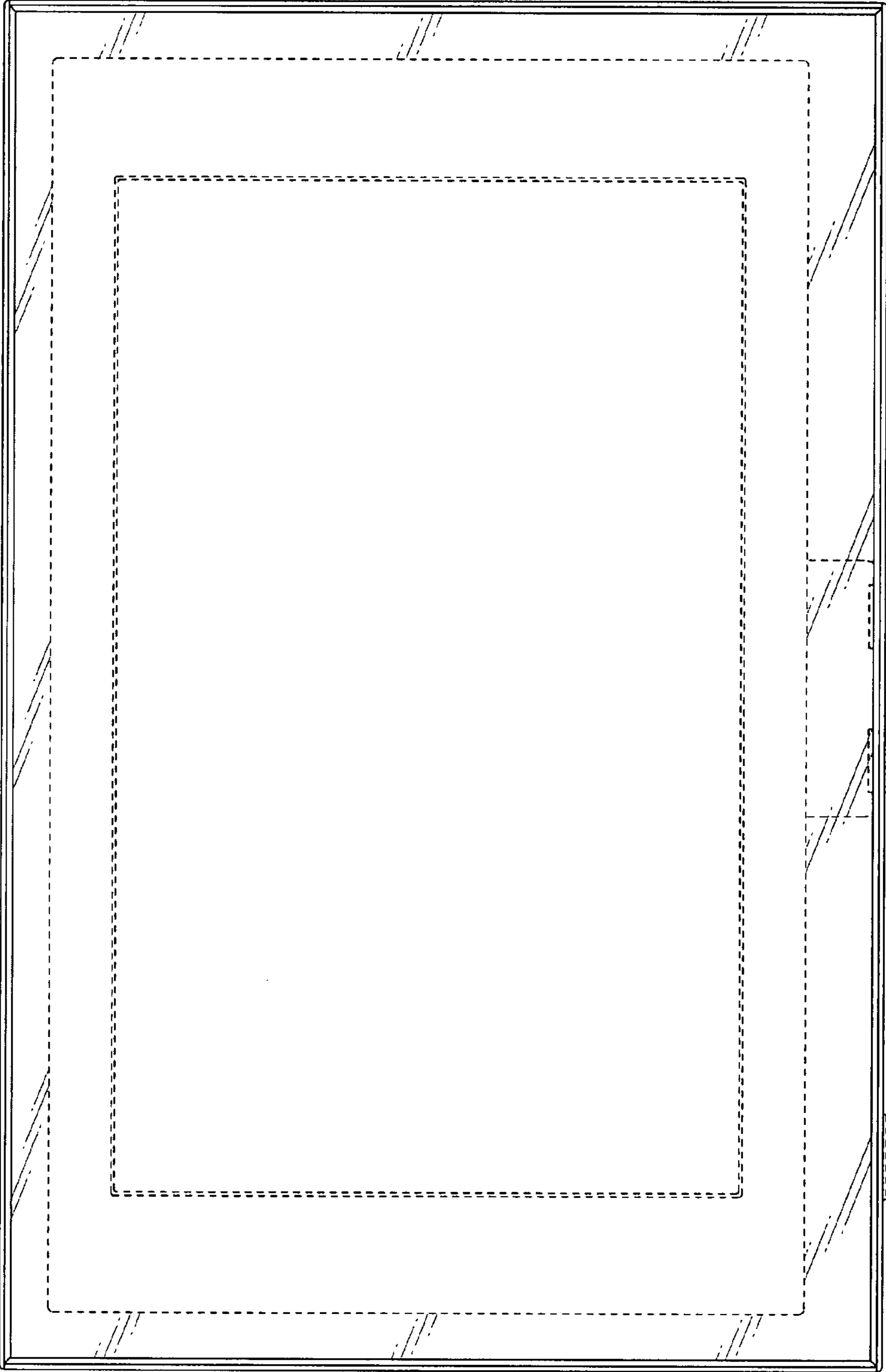
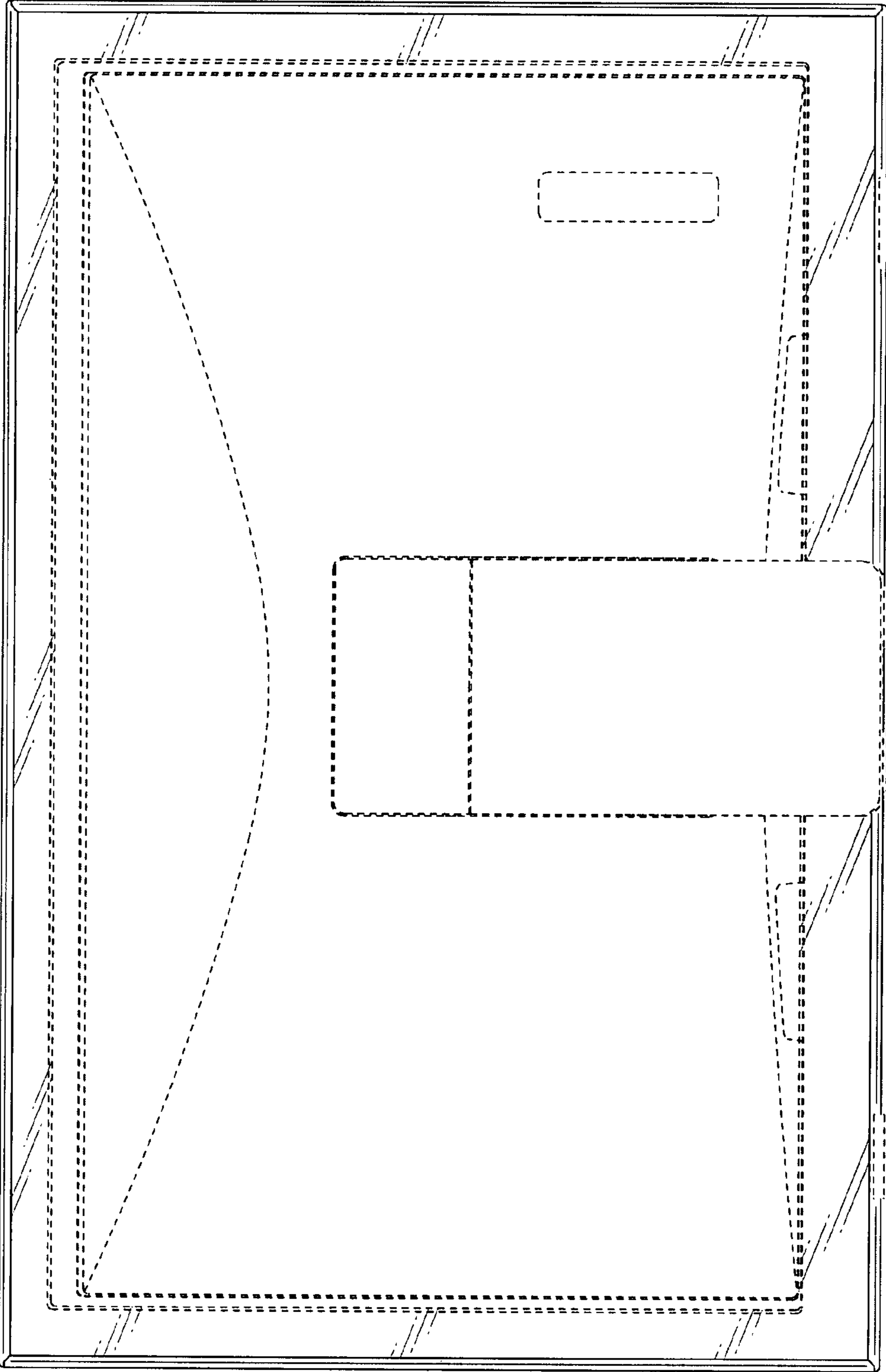


Fig.3



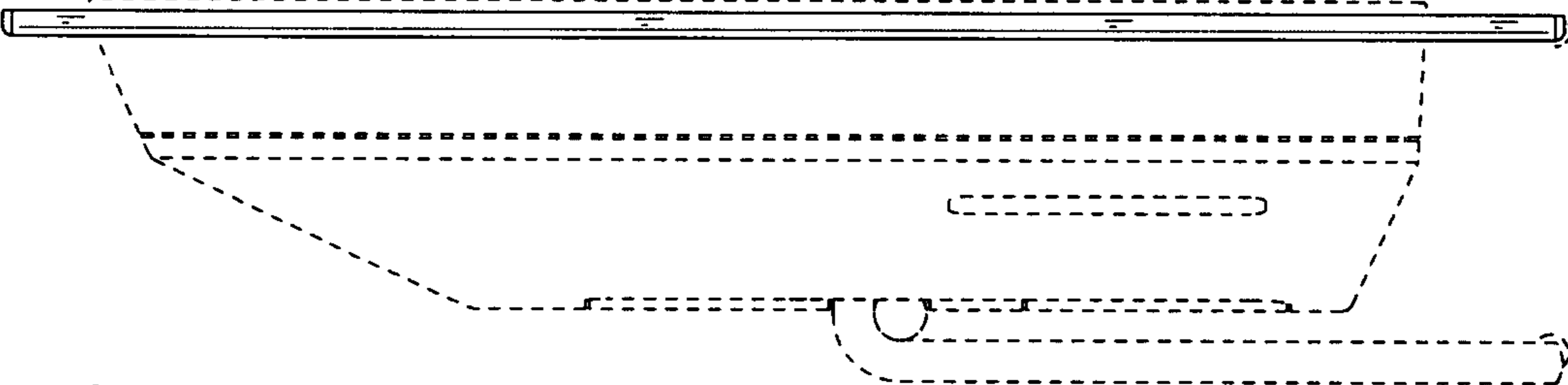


Fig.4

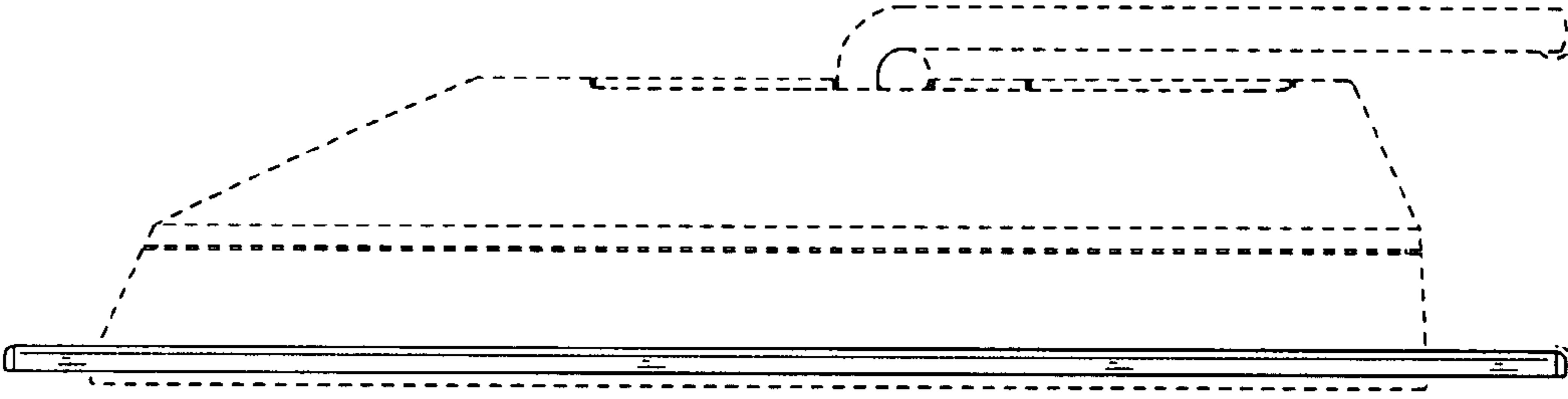


Fig. 5

Fig.6

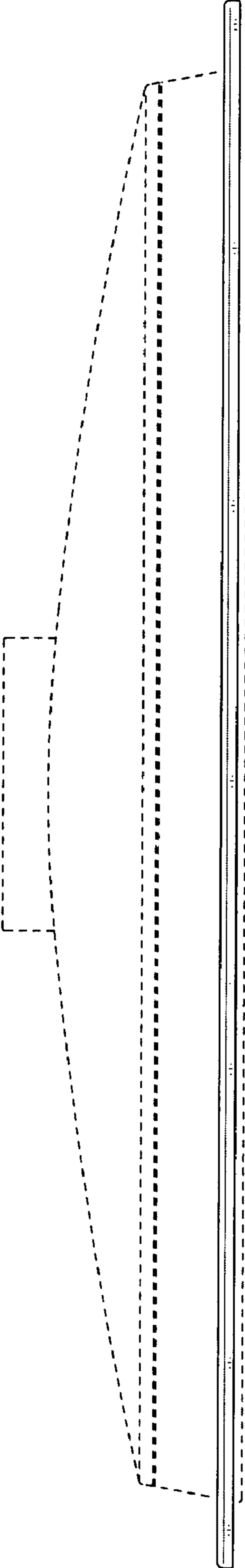




Fig.7

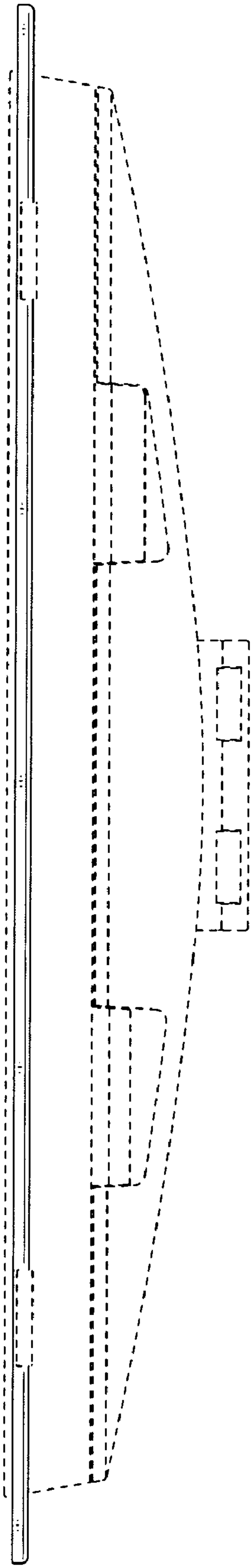




Fig.8

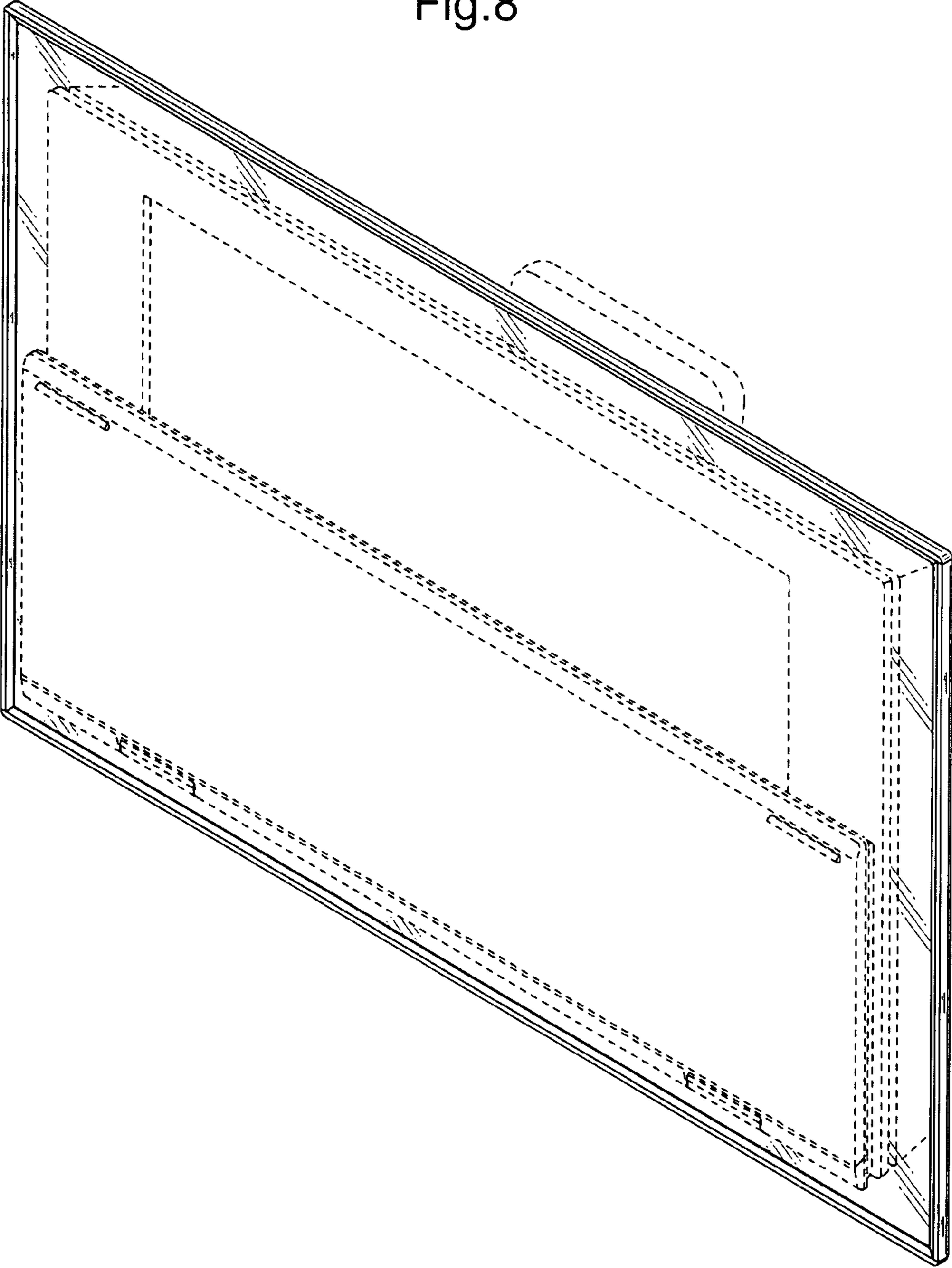


Fig.9

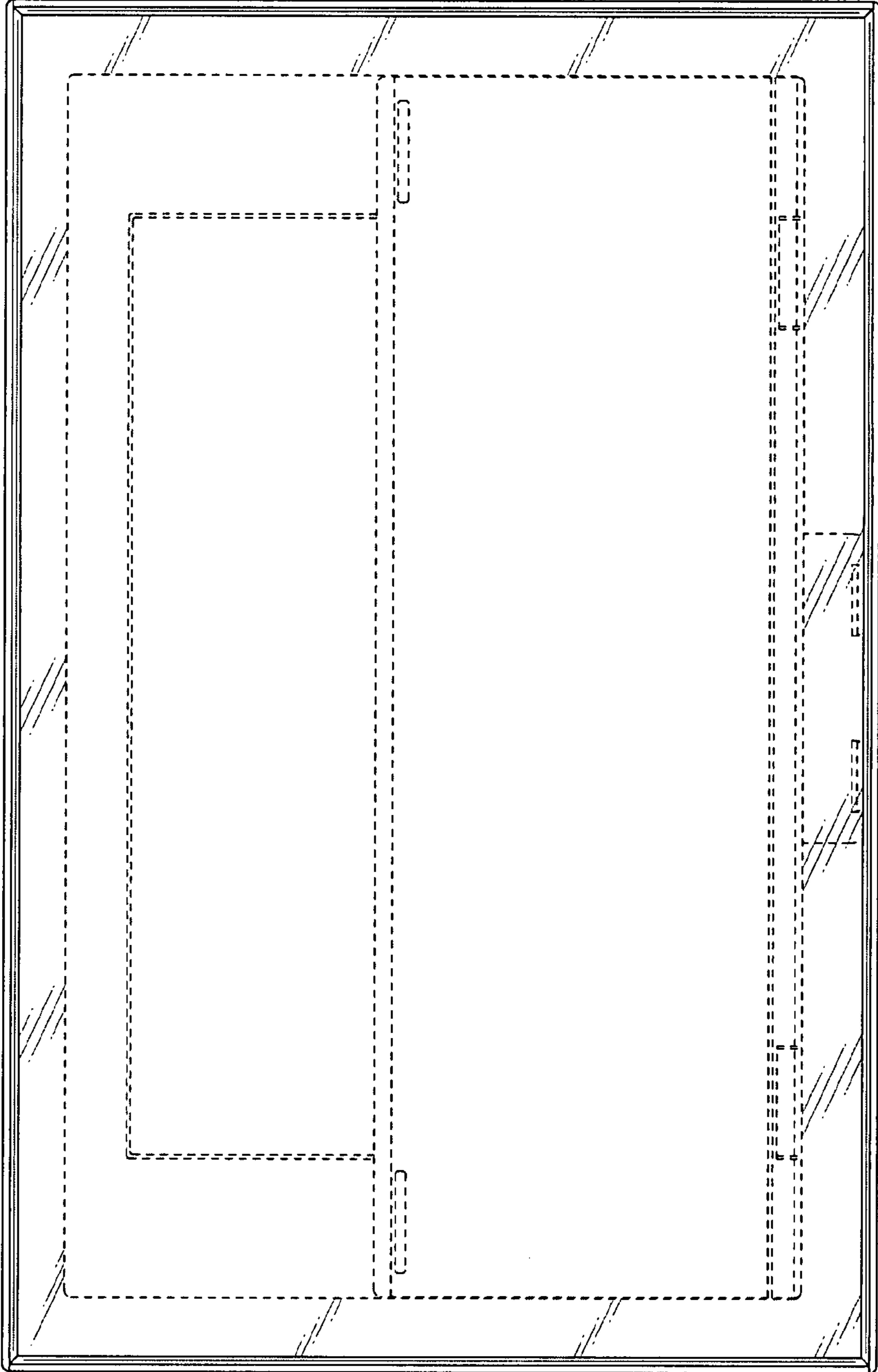


Fig.10

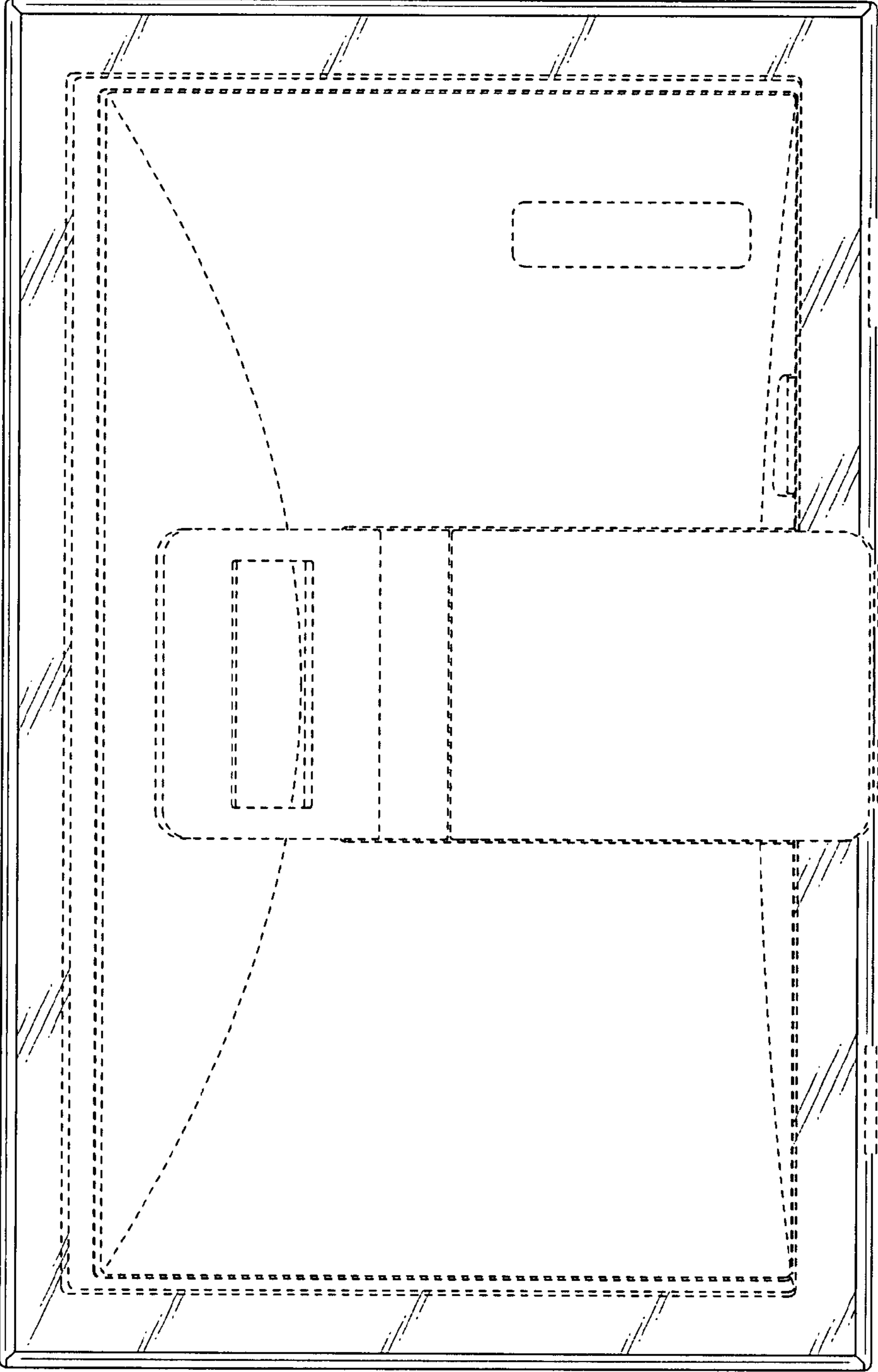


Fig.11

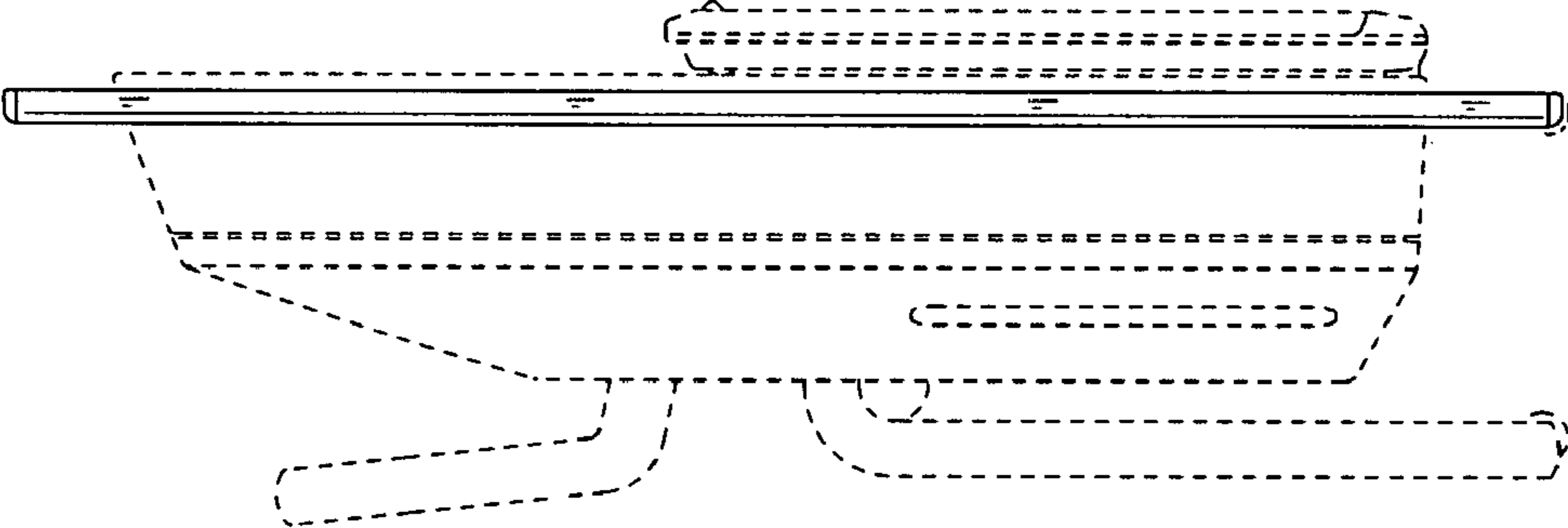


Fig.12

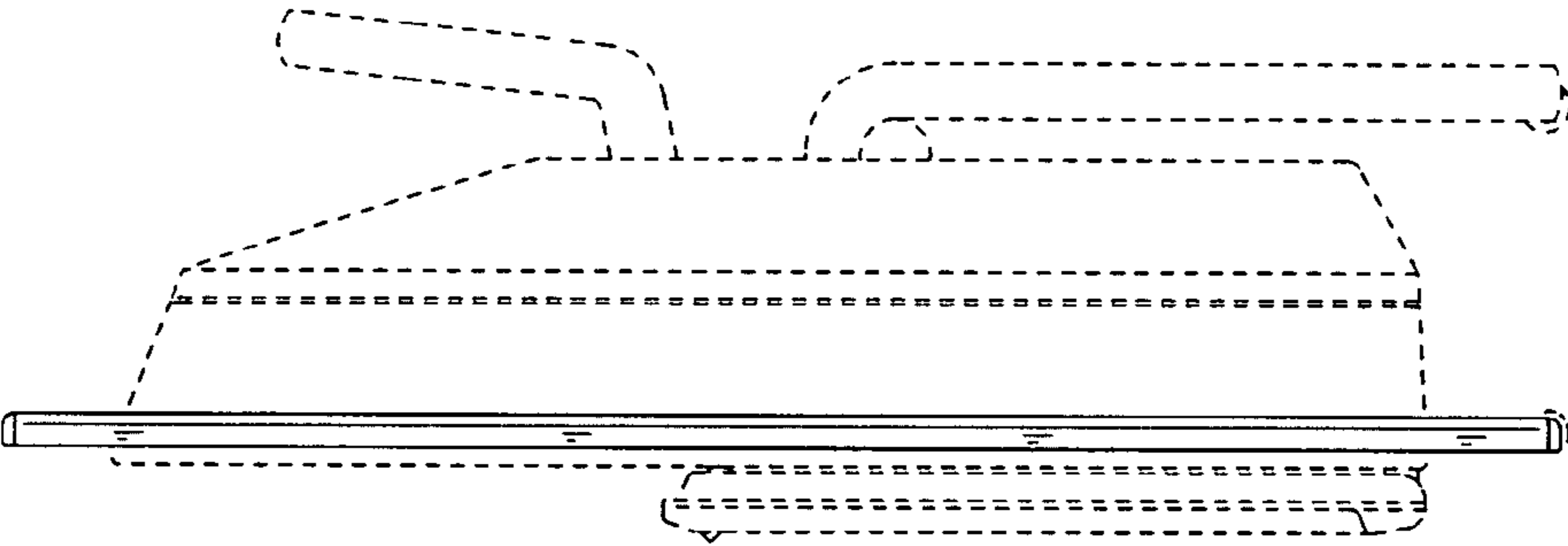


Fig. 13

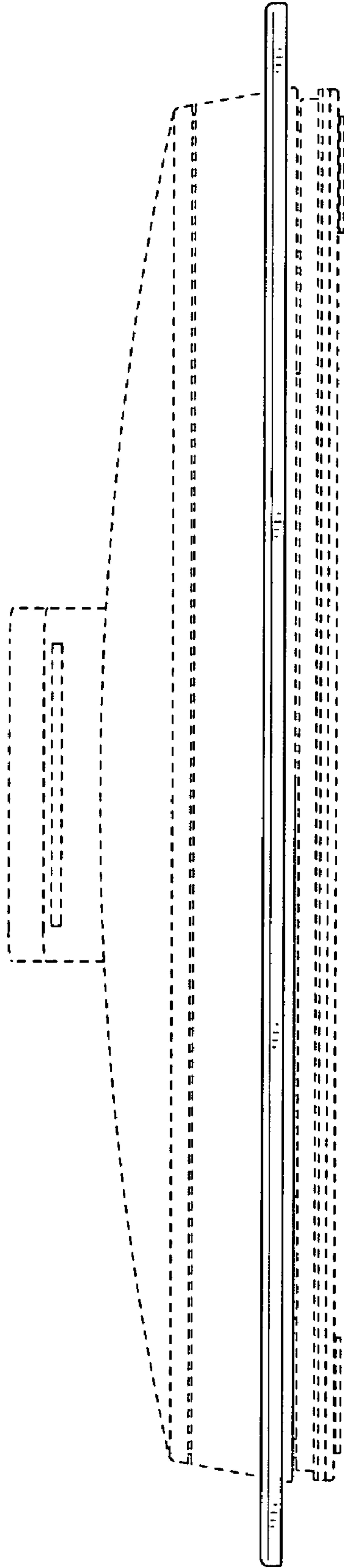


Fig. 14

