



US00D600689S

(12) **United States Design Patent**  
**Jen**

(10) **Patent No.:** **US D600,689 S**  
(45) **Date of Patent:** **\*\* Sep. 22, 2009**

(54) **NOTEBOOK COMPUTER**

(75) Inventor: **Shin-Hao Jen**, Taipei County (TW)

(73) Assignee: **Quanta Computer Inc.**, Taoyuan Shien (TW)

(\*\*) Term: **14 Years**

(21) Appl. No.: **29/311,625**

(22) Filed: **May 5, 2009**

(30) **Foreign Application Priority Data**

Mar. 12, 2009 (TW) ..... 98301015

(51) **LOC (9) Cl.** ..... **14-02**

(52) **U.S. Cl.** ..... **D14/341**; D14/300; D14/371

(58) **Field of Classification Search** ..... D14/371-375,  
D14/126-129, 341, 315, 336, 337; 248/917-924;  
341/12; 345/104, 156, 168, 173, 87, 901-905;  
348/180, 184, 373, 739; D6/300; 361/679.26,  
361/679.58; 40/714

See application file for complete search history.

(56) **References Cited**

**U.S. PATENT DOCUMENTS**

D408,383 S \* 4/1999 Carter et al. .... D14/374  
D454,870 S \* 3/2002 Lee et al. .... D14/341  
6,781,824 B2 \* 8/2004 Krieger et al. .... 361/679.58  
D496,047 S \* 9/2004 Hoehn ..... D14/375

D524,312 S \* 7/2006 Young ..... D14/375  
D529,910 S \* 10/2006 Ota ..... D14/374  
D532,395 S \* 11/2006 Rashid ..... D14/126  
D533,857 S \* 12/2006 Bradley ..... D14/126  
7,145,769 B2 \* 12/2006 Chen ..... 361/679.26  
D562,320 S \* 2/2008 Kim ..... D14/375  
D572,023 S \* 7/2008 Park ..... D6/300  
7,398,613 B2 \* 7/2008 Liou et al. .... 40/745  
7,421,812 B2 \* 9/2008 Liou et al. .... 40/745  
2002/0040541 A1 \* 4/2002 Wang ..... 40/714  
2002/0135974 A1 \* 9/2002 Bell et al.

\* cited by examiner

*Primary Examiner*—Freda S Nunn

(74) *Attorney, Agent, or Firm*—Rabin & Berdo, PC

(57) **CLAIM**

The ornamental design for a notebook computer, as shown.

**DESCRIPTION**

FIG. 1 is a perspective view of a notebook computer showing my new design;

FIG. 2 is a front view thereof;

FIG. 3 is a rear view thereof;

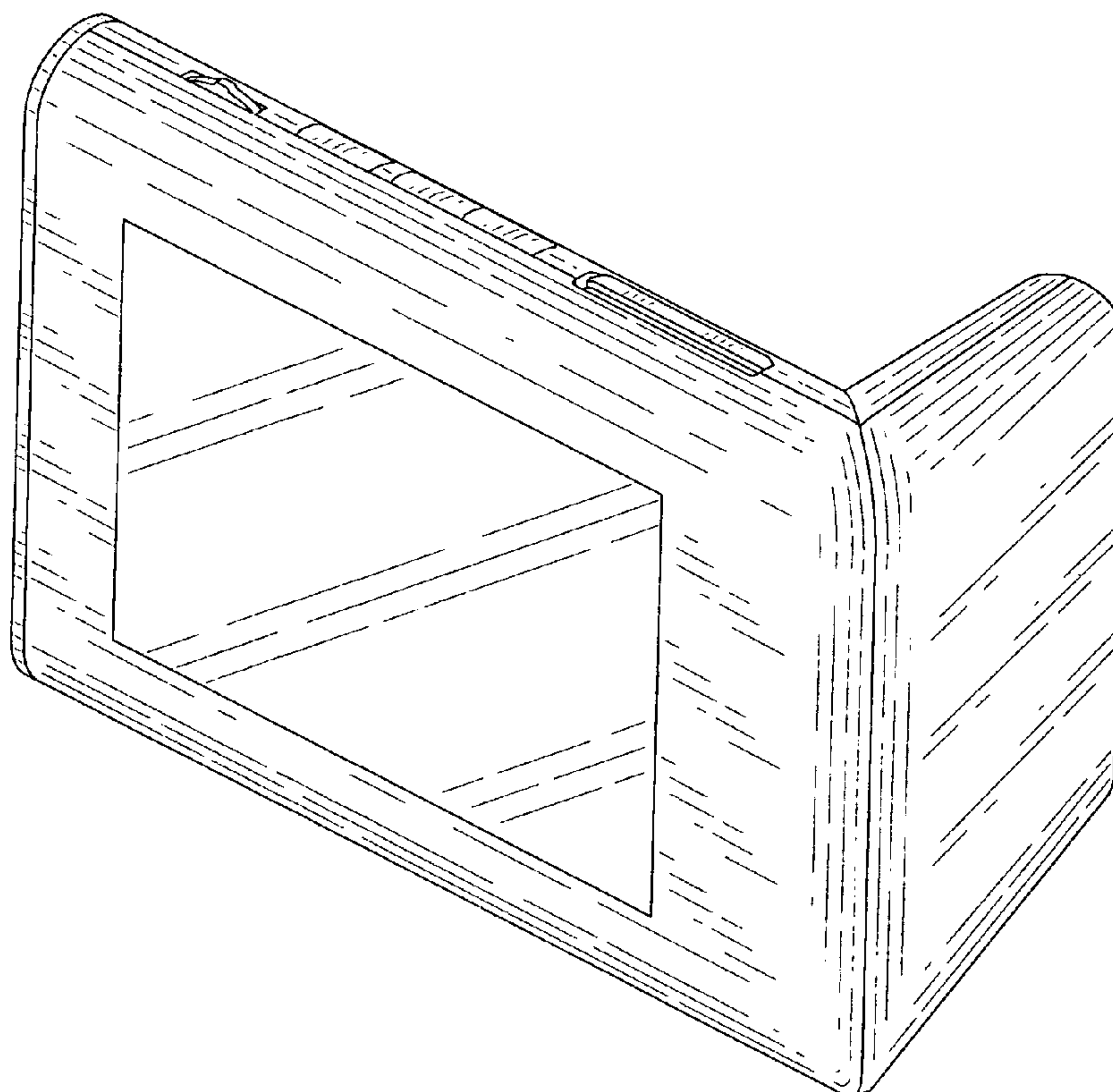
FIG. 4 is a left side view thereof;

FIG. 5 is a right side view thereof;

FIG. 6 is a top view thereof; and,

FIG. 7 is a bottom view thereof.

**1 Claim, 4 Drawing Sheets**



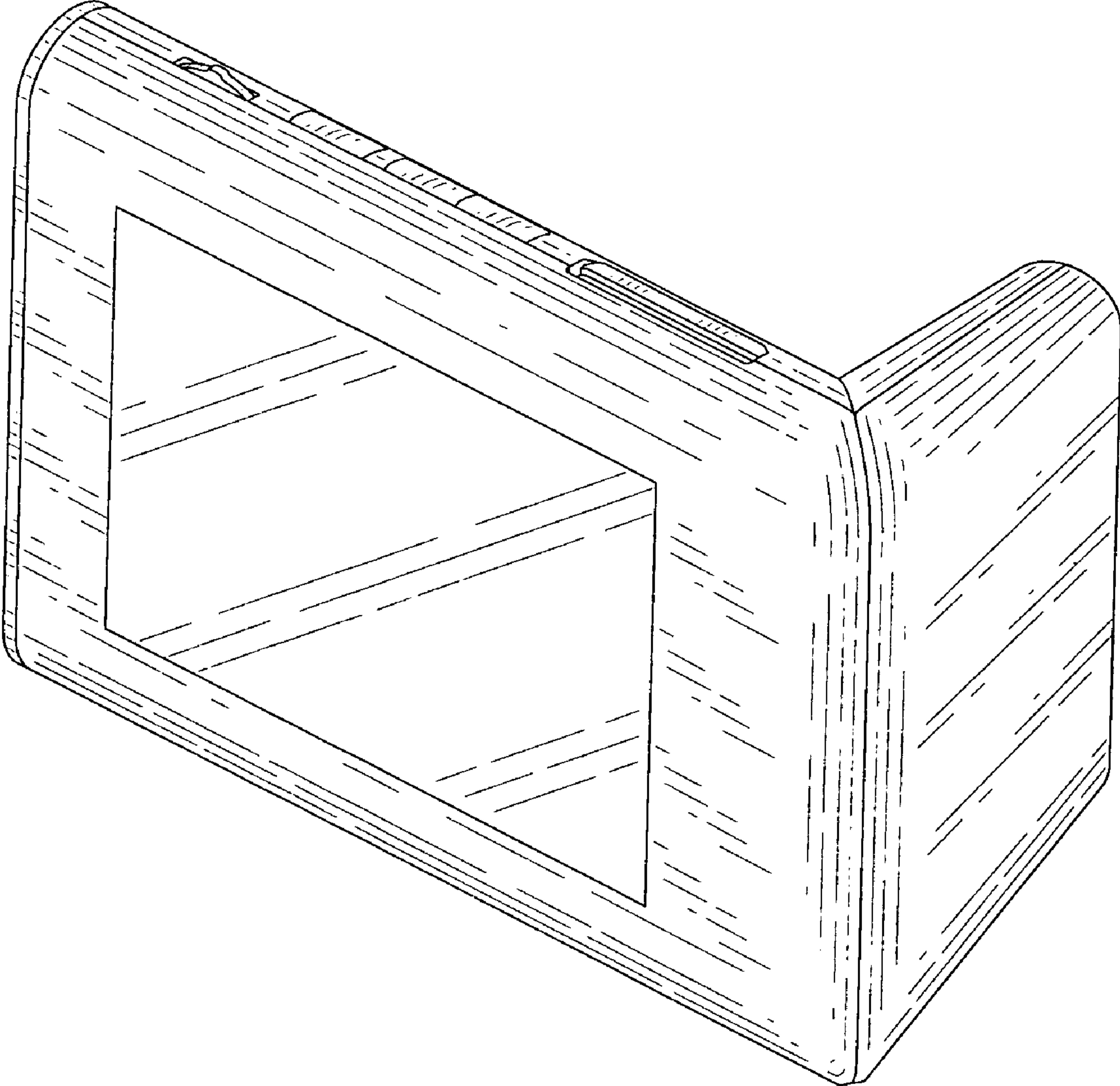


FIG. 1

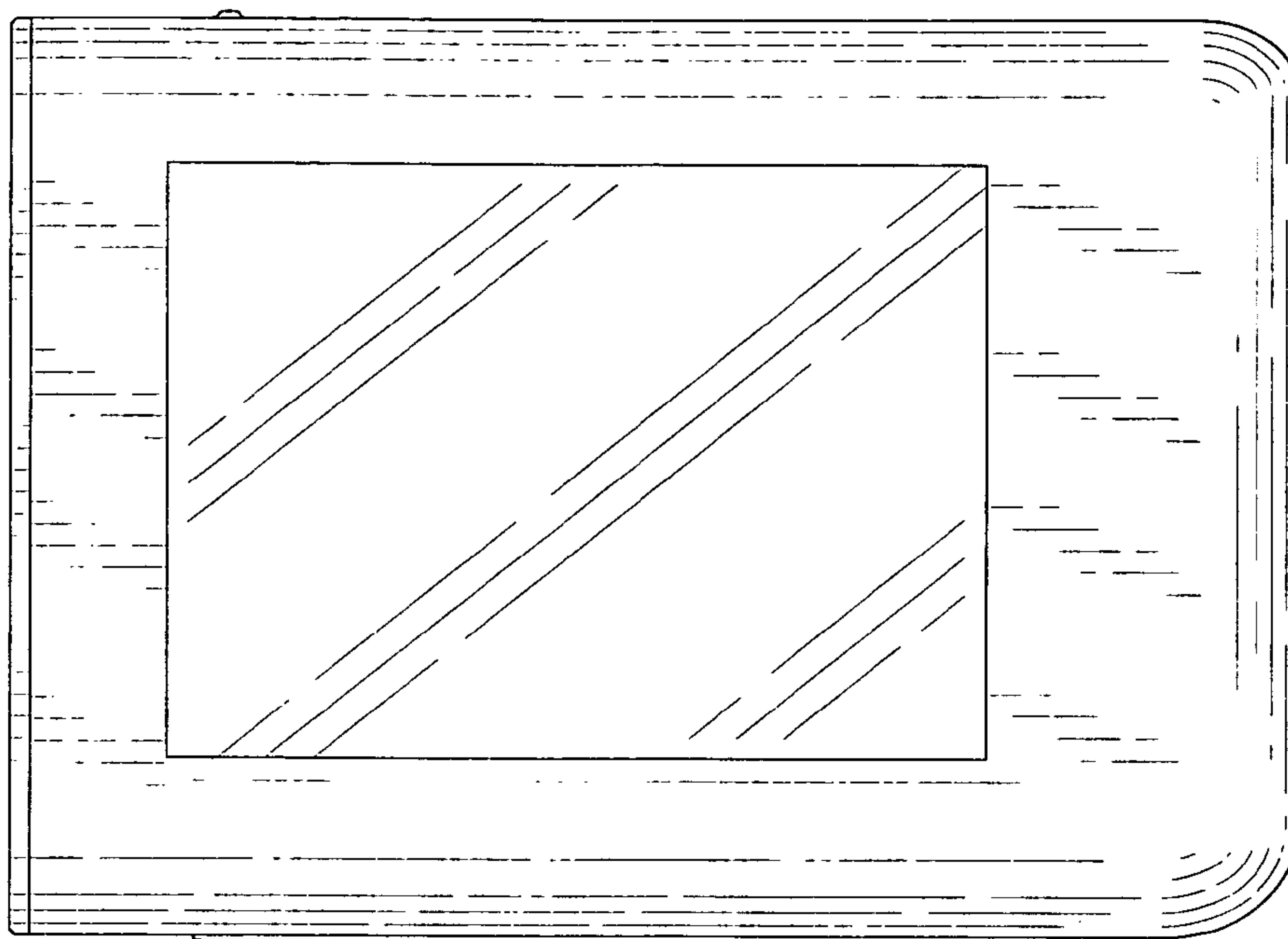


FIG. 2

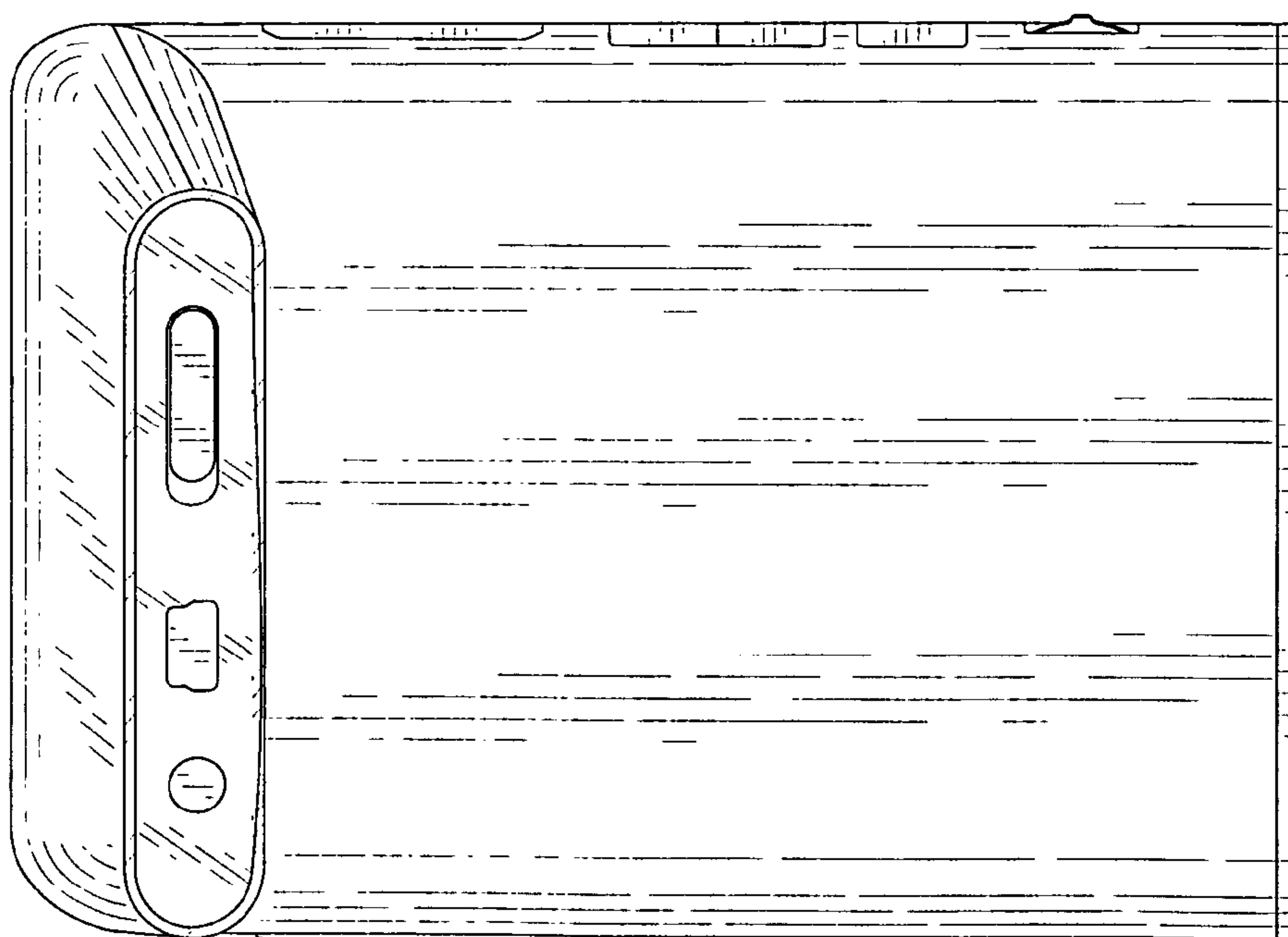


FIG. 3

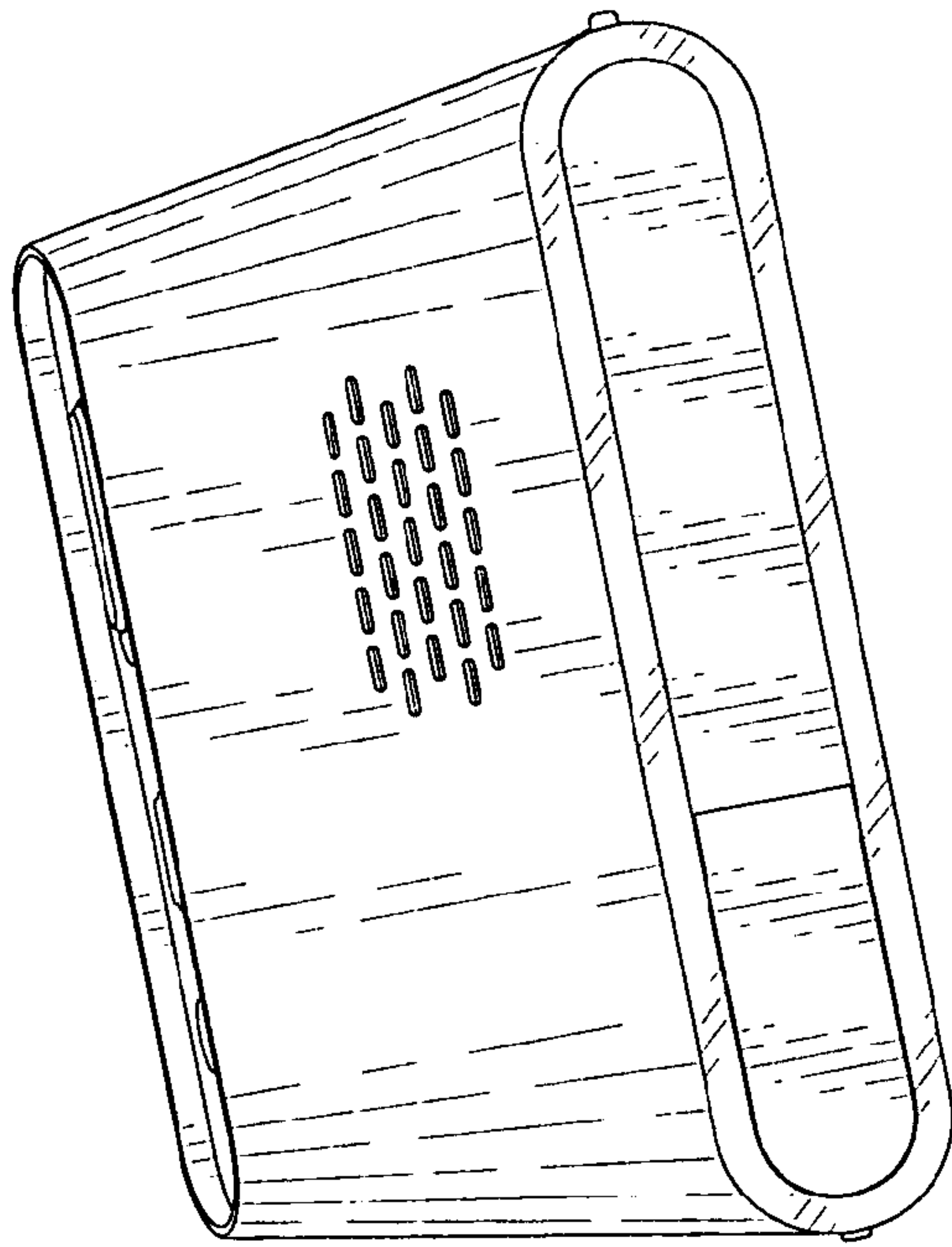


FIG. 4

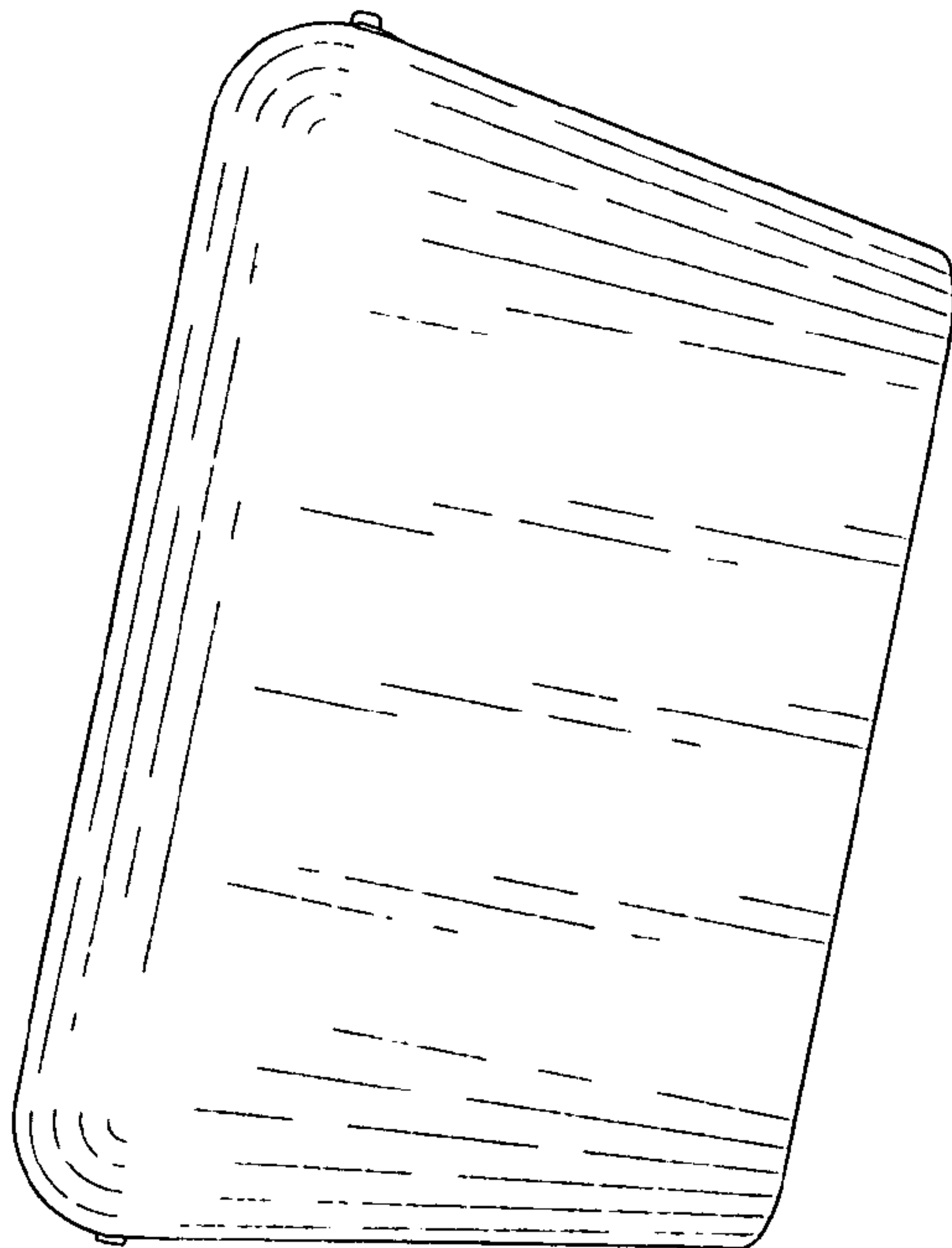


FIG. 5



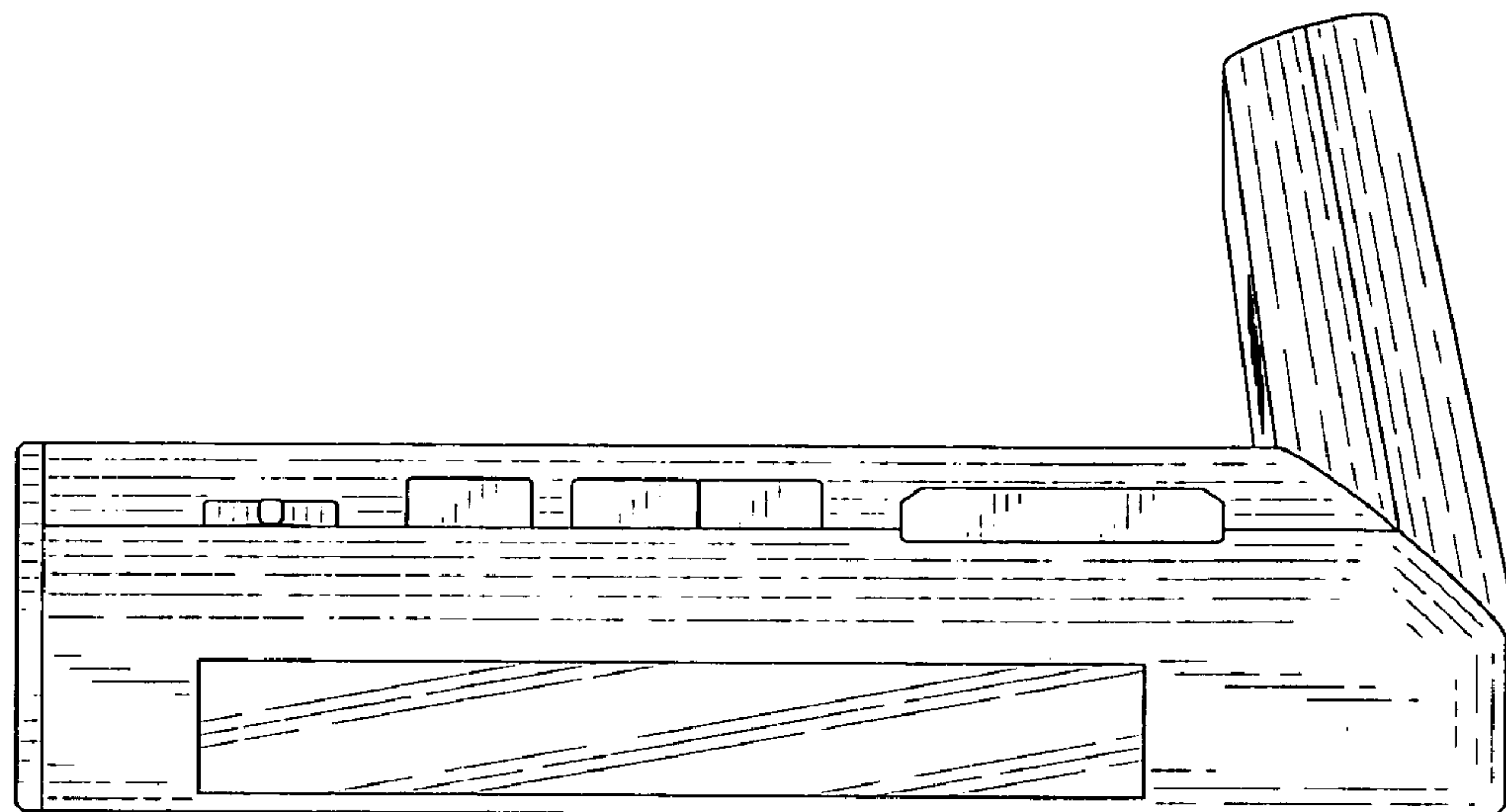


FIG. 6

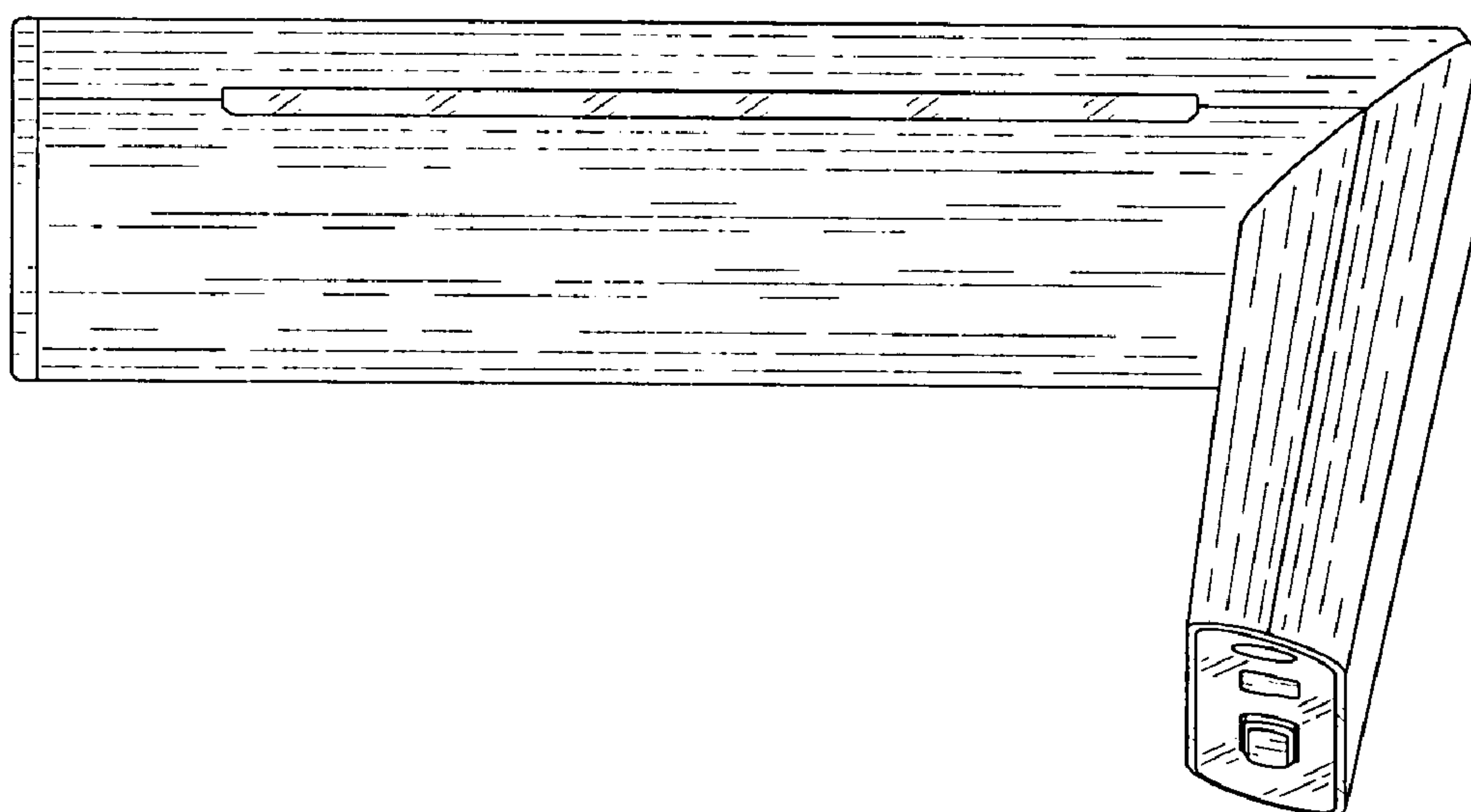


FIG. 7