



US00D600688S

(12) **United States Design Patent**
Andre et al.

(10) **Patent No.:** **US D600,688 S**
(45) **Date of Patent:** **** Sep. 22, 2009**

(54) **ELECTRONIC DEVICE**

(75) Inventors: **Bartley K. Andre**, Menlo Park, CA (US); **Daniel J. Coster**, San Francisco, CA (US); **Daniele De Iuliis**, San Francisco, CA (US); **Evans Hankey**, San Francisco, CA (US); **Richard P. Howarth**, San Francisco, CA (US); **Jonathan P. Ive**, San Francisco, CA (US); **Steve Jobs**, Palo Alto, CA (US); **Duncan Robert Kerr**, San Francisco, CA (US); **Shin Nishibori**, Portola Valley, CA (US); **Matthew Dean Rohrbach**, San Francisco, CA (US); **Peter Russell-Clarke**, San Francisco, CA (US); **Douglas B. Satzger**, Menlo Park, CA (US); **Christopher J. Stringer**, Woodside, CA (US); **Eugene Antony Whang**, San Francisco, CA (US); **Rico Zorkendorfer**, San Francisco, CA (US)

(73) Assignee: **Apple Inc.**, Cupertino, CA (US)

(**) Term: **14 Years**

(21) Appl. No.: **29/294,335**

(22) Filed: **Jan. 4, 2008**

(51) **LOC (9) Cl.** **14-02**
(52) **U.S. Cl.** **D14/327**
(58) **Field of Classification Search** D14/315-328;
D18/1, 2, 7, 11; 235/145 A, 145 R; 341/22,
341/23; 455/566; 345/168, 169, 173, 87,
345/901-905; 361/680-686, 679.09, 679.27;
715/783; 400/486, 489

See application file for complete search history.

(56) **References Cited**

U.S. PATENT DOCUMENTS

6,067,224 A * 5/2000 Nobuchi 361/679.27
6,166,737 A * 12/2000 Lee et al. 715/783
D463,797 S 10/2002 Andre et al.
6,657,854 B2 * 12/2003 Horii et al. 361/679.09

D491,177 S 6/2004 Andre et al.
D493,785 S 8/2004 Andre et al.
D513,509 S * 1/2006 Kawa D14/318
7,035,665 B2 * 4/2006 Kido et al. 455/566
D527,730 S * 9/2006 Dong D14/315
D529,907 S * 10/2006 Dong D14/315
D547,310 S * 7/2007 Yoon D14/315
D556,192 S * 11/2007 Jeong et al. D14/327
D558,752 S 1/2008 Andre et al.
D558,753 S 1/2008 Andre et al.
2005/0018396 A1 * 1/2005 Nakajima et al. 361/683
2005/0041378 A1 * 2/2005 Hamada et al. 361/680

OTHER PUBLICATIONS

U.S. Appl. No. 29/296,817 entitled "Computing Device", filed Oct. 29, 2007.
U.S. Appl. No. 29/296,887 entitled "Computing Device", filed Oct. 30, 2007.

* cited by examiner

Primary Examiner—Freda S Nunn

(74) *Attorney, Agent, or Firm*—SAIDMAN DesignLaw Group

(57) **CLAIM**

The ornamental design for an electronic device, as shown and described.

DESCRIPTION

FIG. 1 is a front, top perspective view of a first embodiment of an electronic device showing our new design;
FIG. 2 is rear, bottom perspective view thereof;
FIG. 3 is a front view thereof;
FIG. 4 is a rear view thereof;
FIG. 5 is a left side view thereof;
FIG. 6 is a right side view thereof;
FIG. 7 is a top view thereof;
FIG. 8 is a bottom view thereof;
FIG. 9 is an additional top view thereof, with the electronic device shown in an open position;

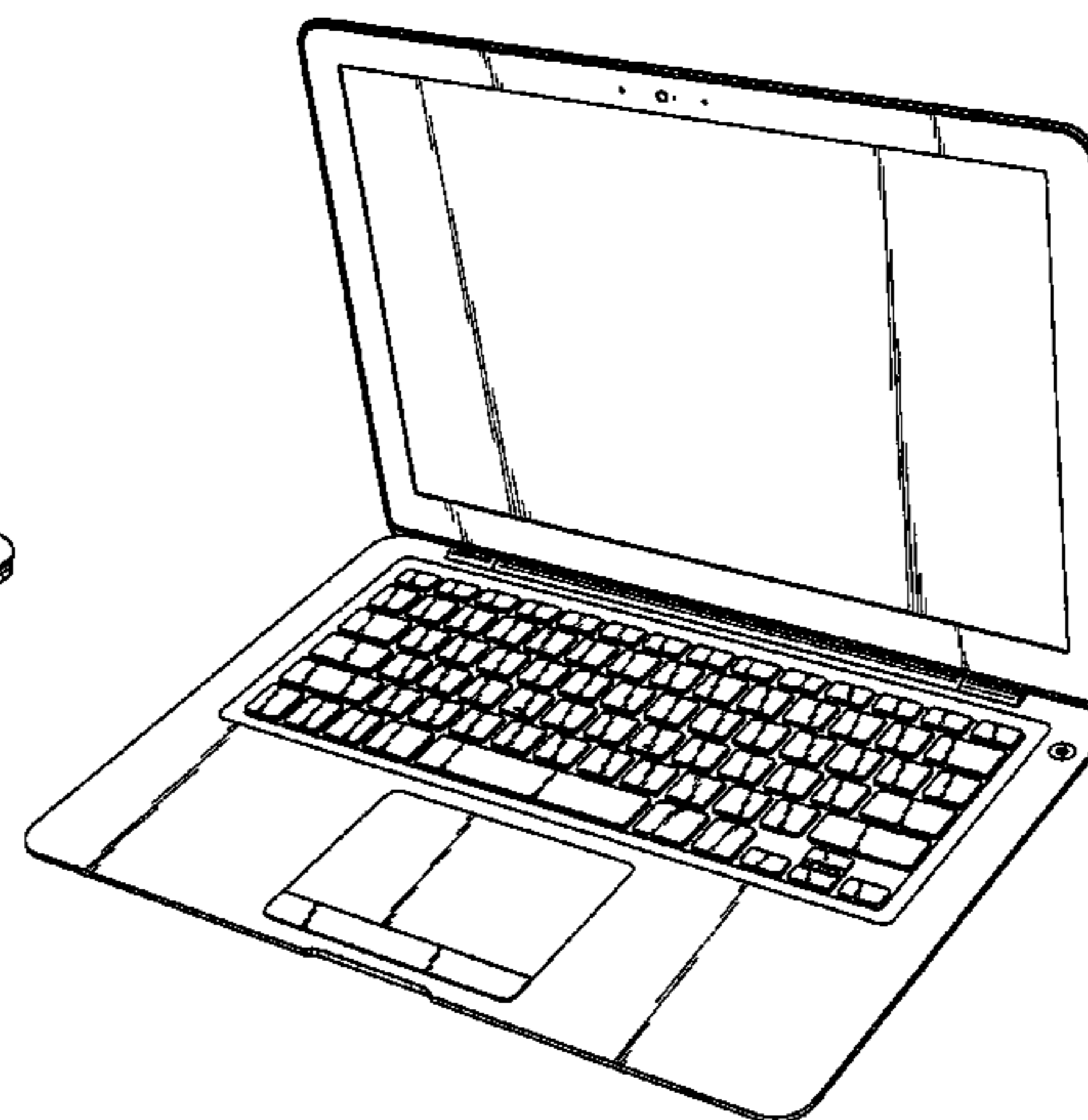
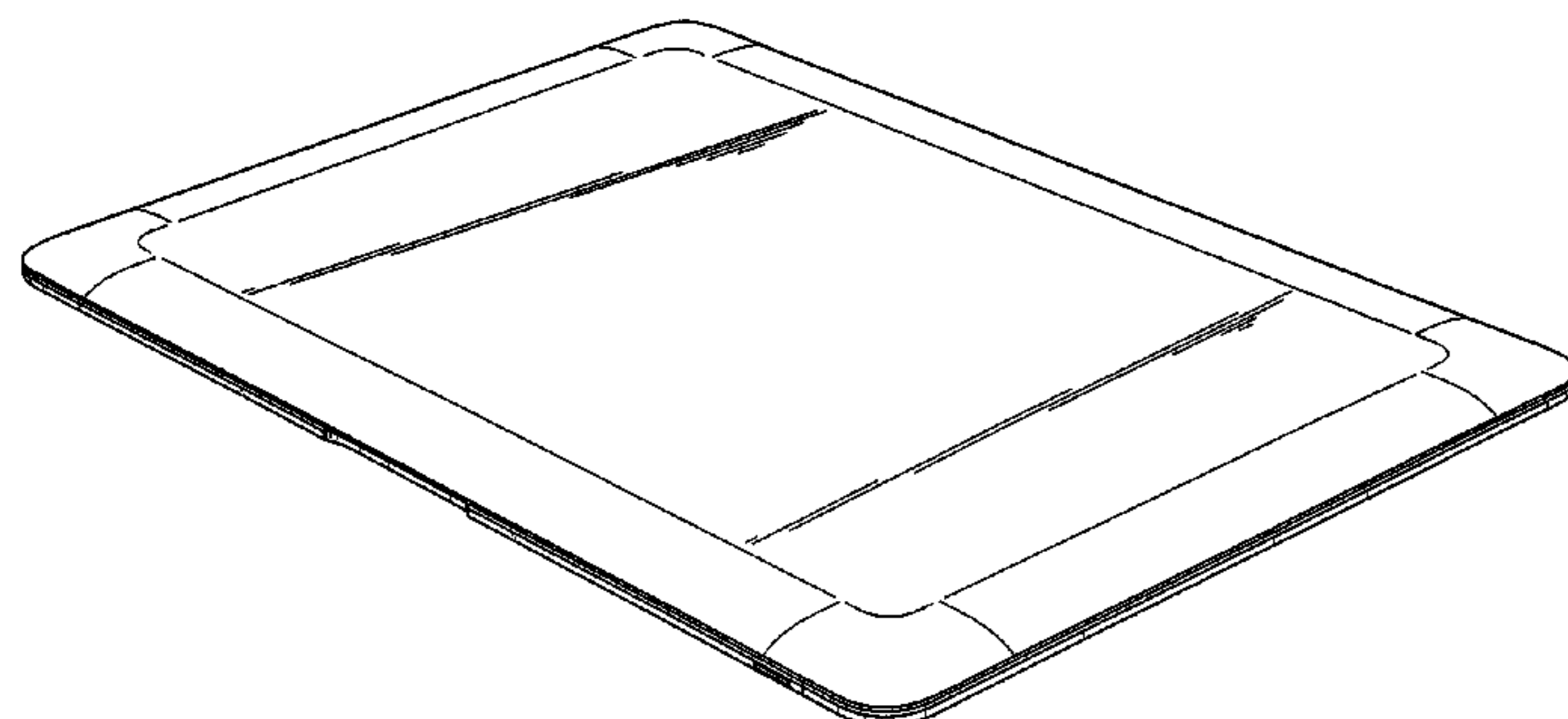


FIG. **10** is an additional top, front perspective view thereof, with the electronic device shown in an open position;

FIG. **11** is an additional bottom, rear perspective view thereof, with the electronic device shown in an open position;

FIG. **12** is an additional left side view thereof, with the electronic device shown in an open position;

FIG. **13** is a front, top perspective view of a second embodiment of an electronic device showing our new design;

FIG. **14** is rear, bottom perspective view thereof;

FIG. **15** is a front view thereof;

FIG. **16** is a rear view thereof;

FIG. **17** is a left side view thereof;

FIG. **18** is a right side view thereof;

FIG. **19** is a top view thereof;

FIG. **20** is a bottom view thereof;

FIG. **21** is an additional top view thereof, with the electronic device shown in an open position;

FIG. **22** is an additional top, front perspective view thereof, with the electronic device shown in an open position;

FIG. **23** is an additional bottom, rear perspective view thereof, with the electronic device shown in an open position; and,

FIG. **24** is an additional left side view thereof, with the electronic device shown in an open position.

The broken lines are environmental and form no part of the claimed design.

1 Claim, 20 Drawing Sheets

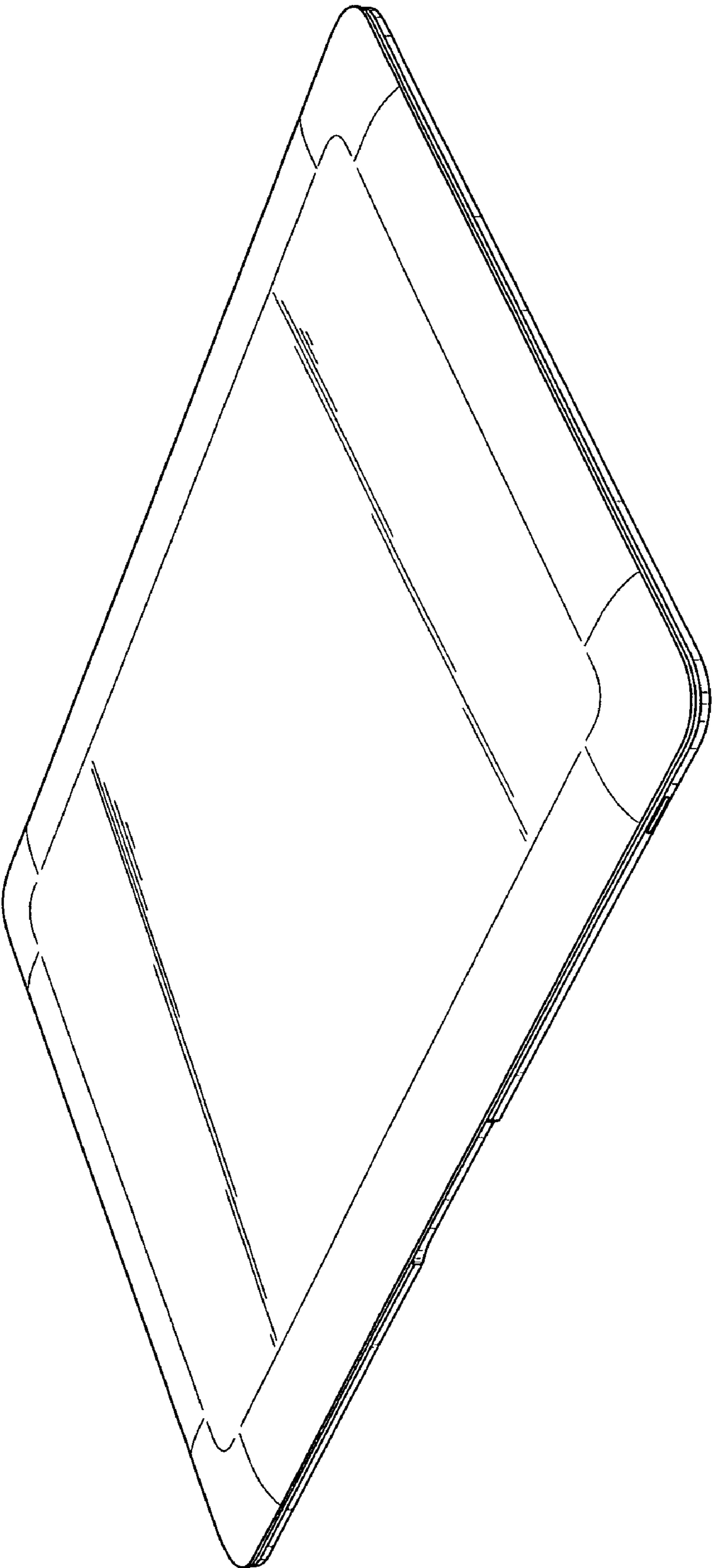


Fig. 1

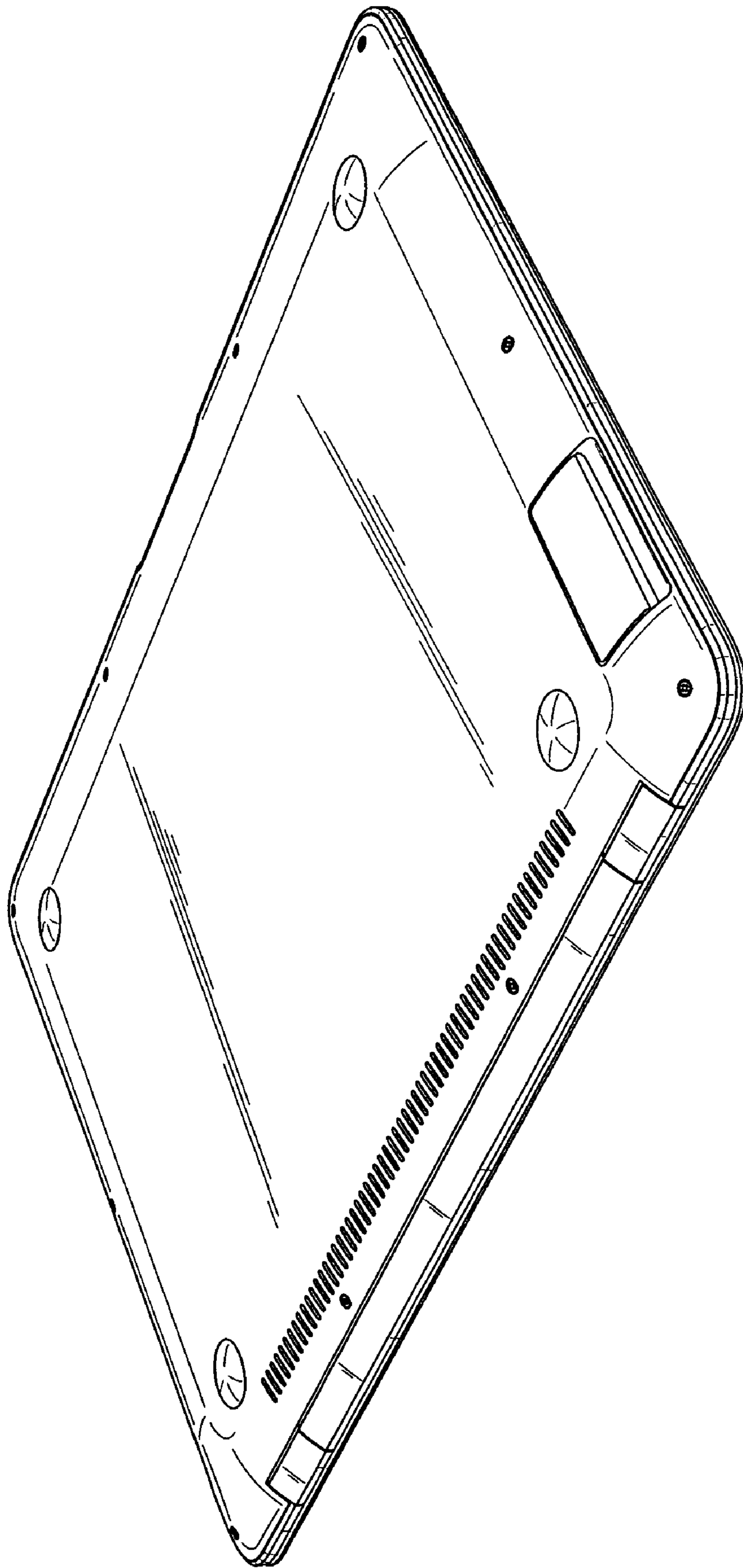


Fig. 2

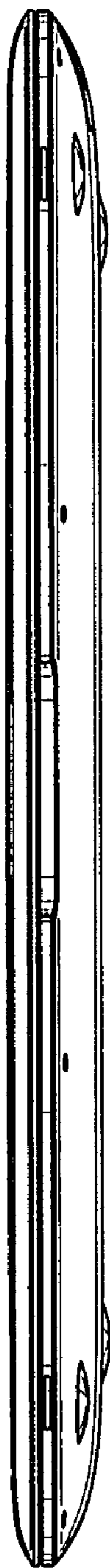


Fig. 3

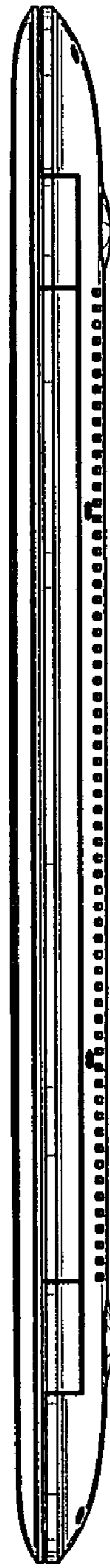


Fig. 4



Fig. 5



Fig. 6

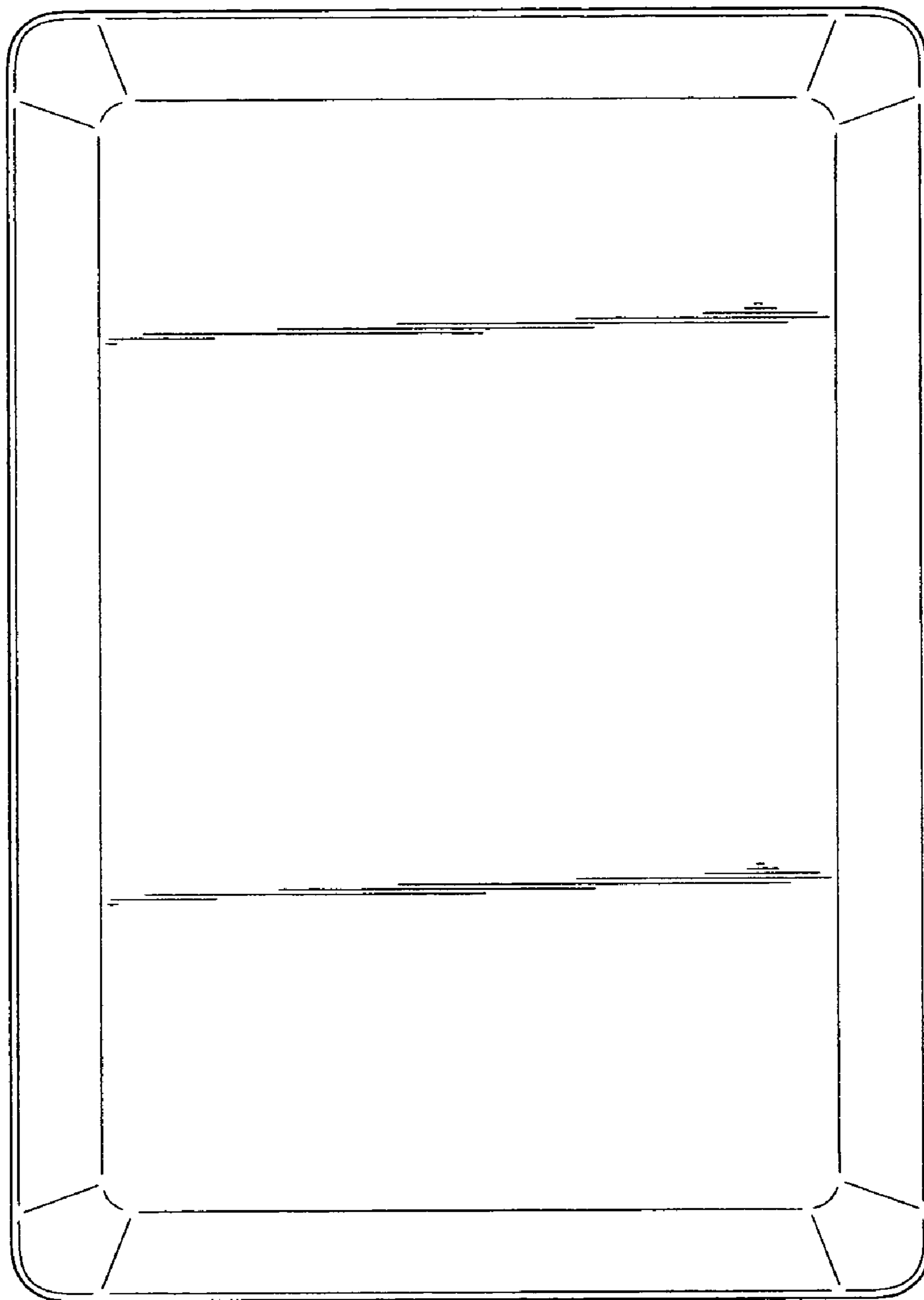


Fig. 7

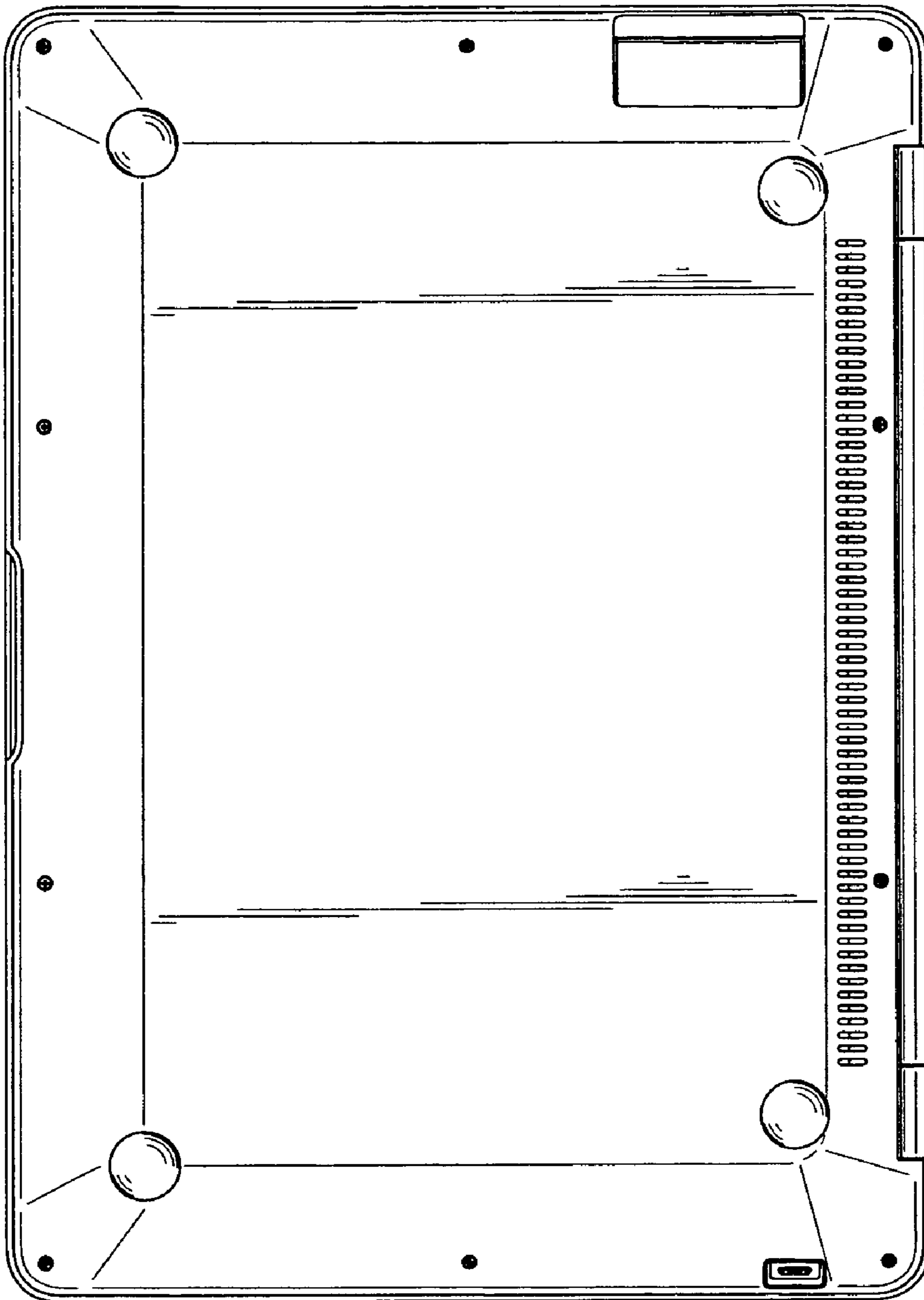


Fig. 8

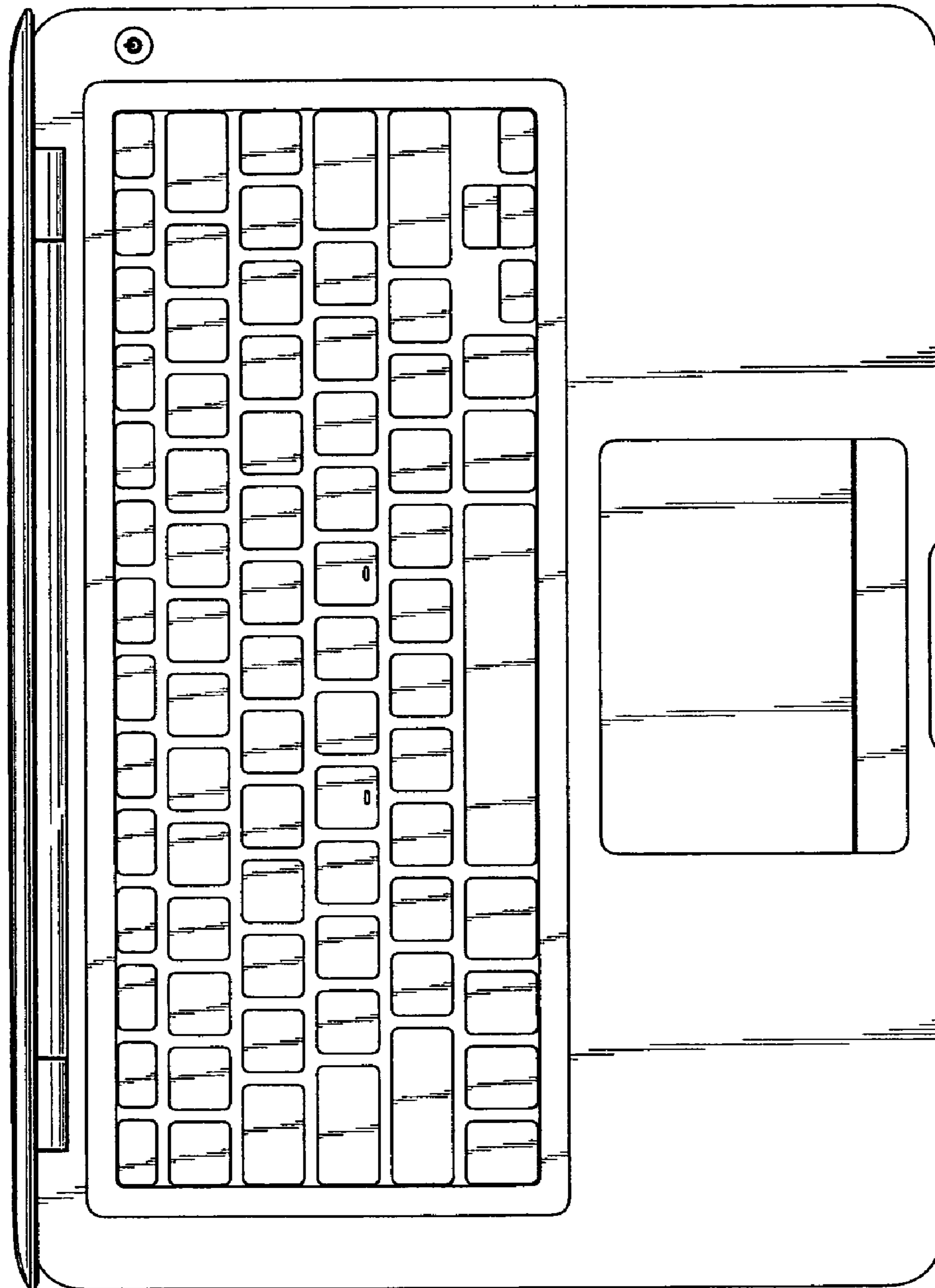


Fig. 9

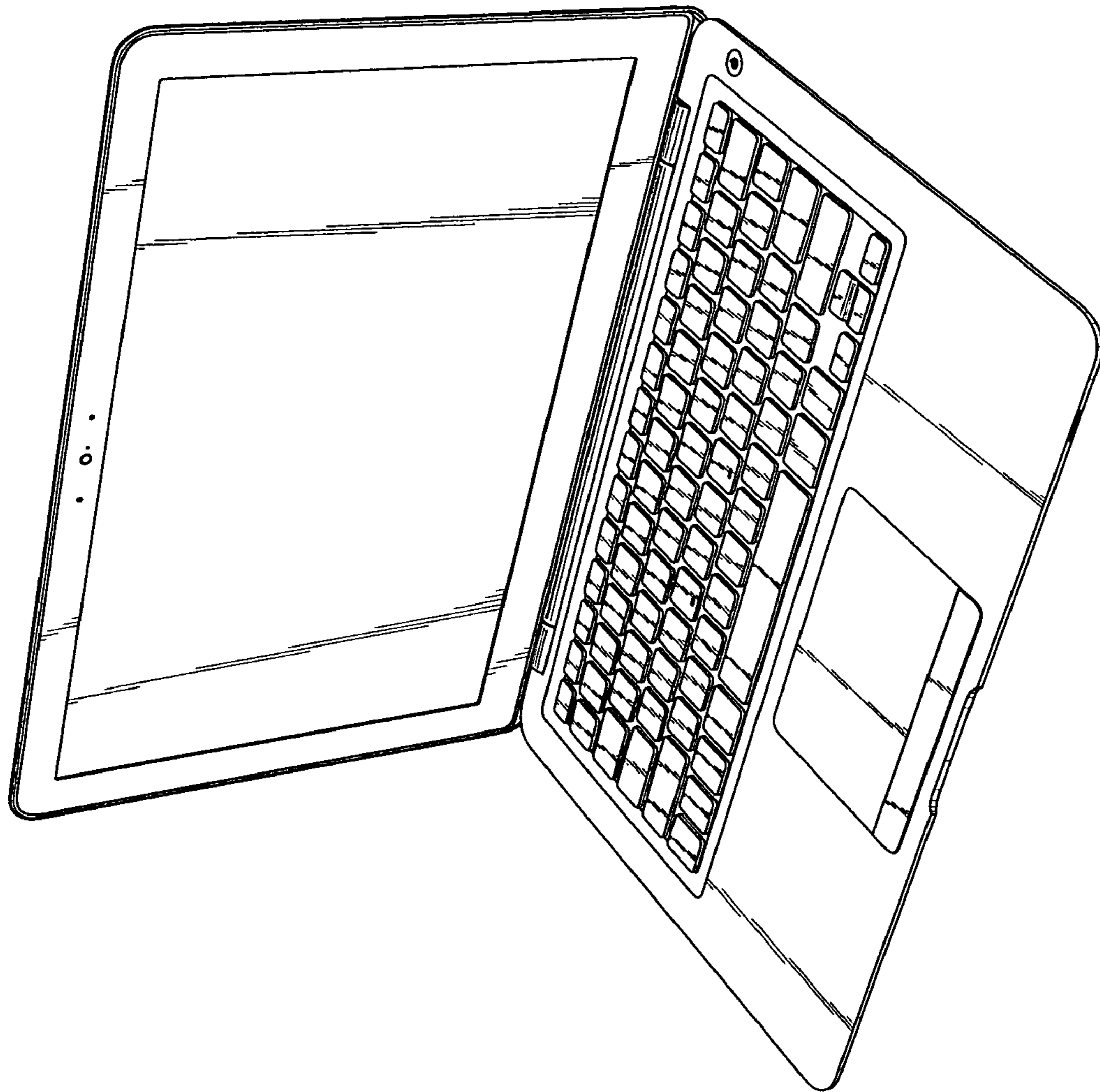


Fig. 10

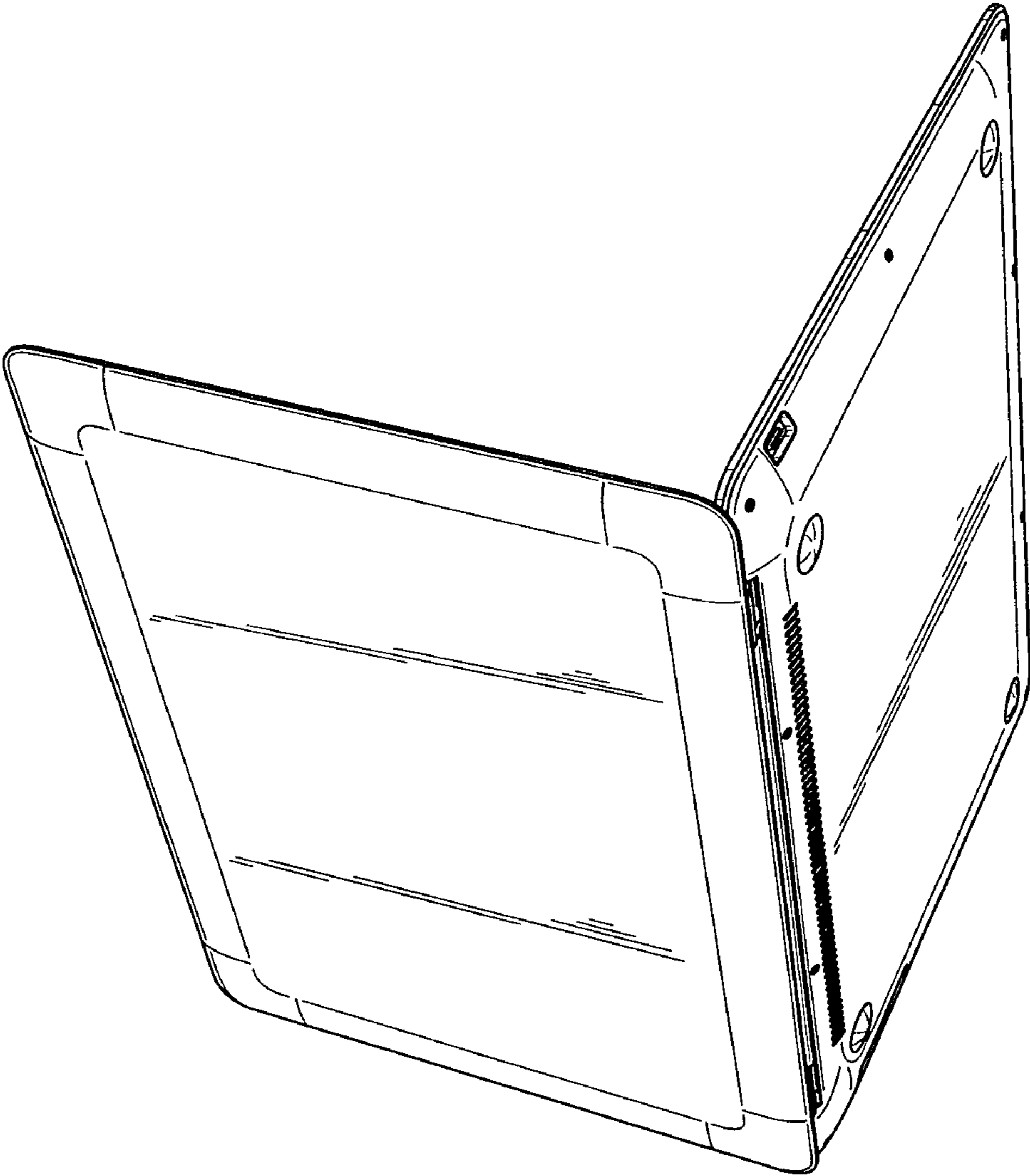


Fig. 11

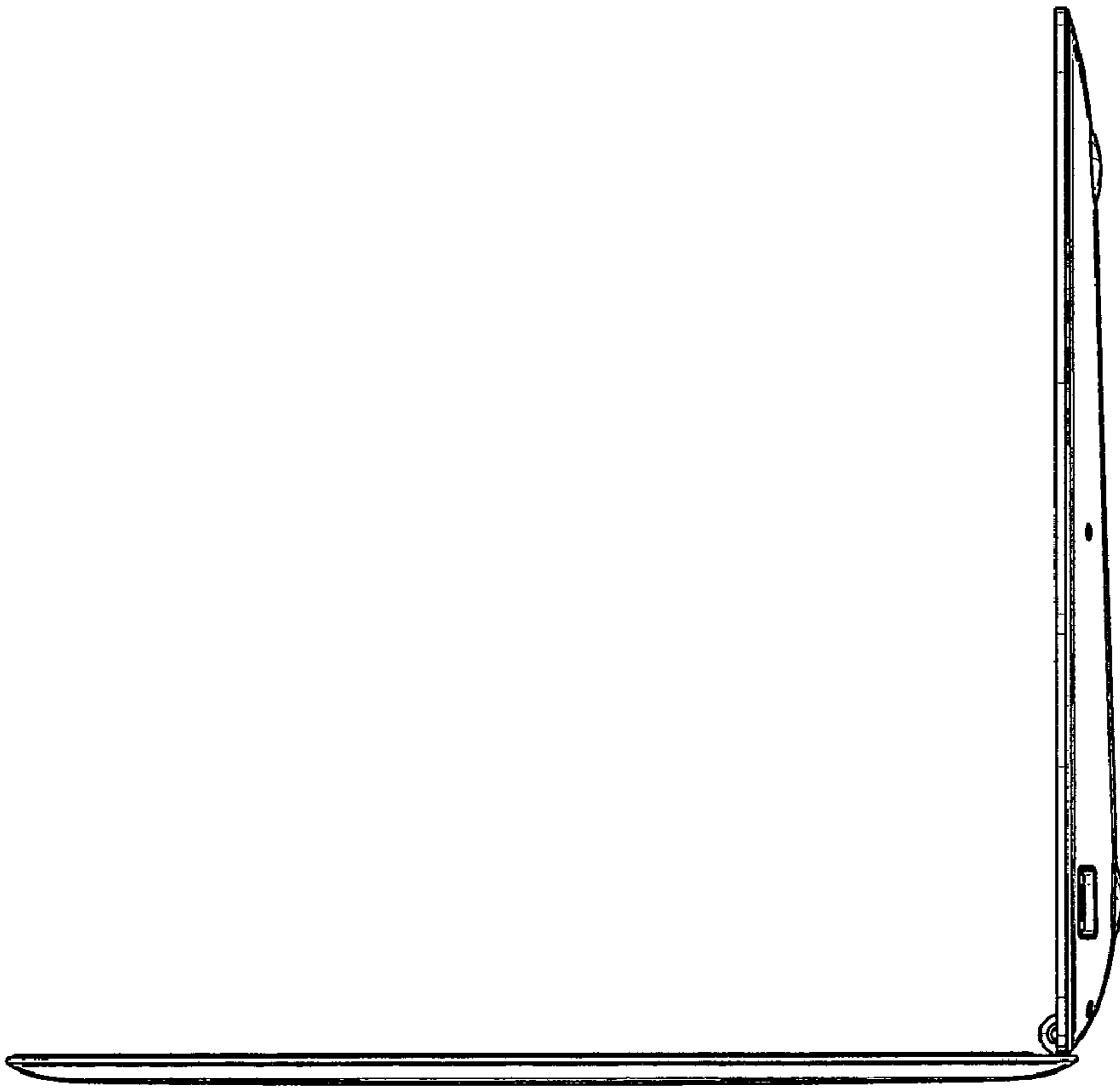


Fig. 12

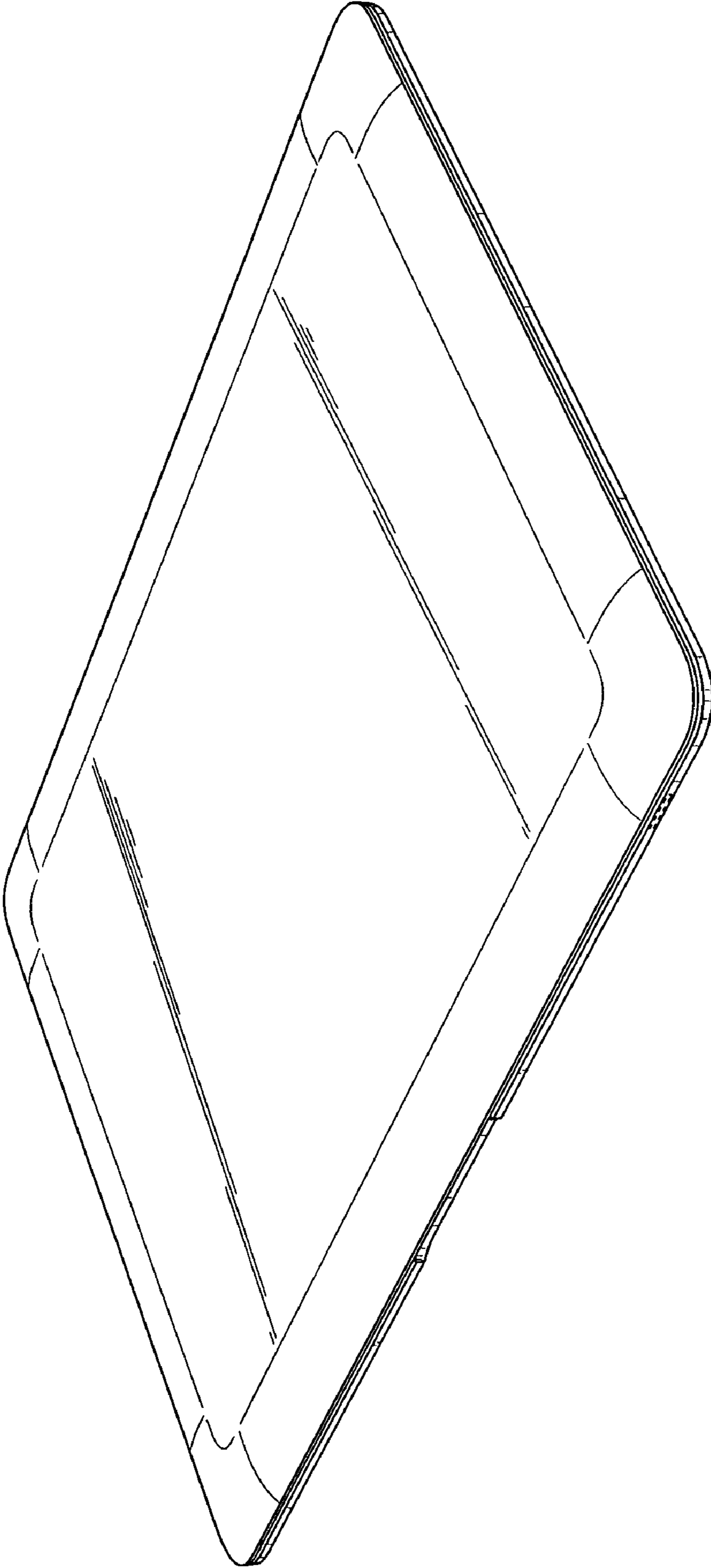


Fig. 13

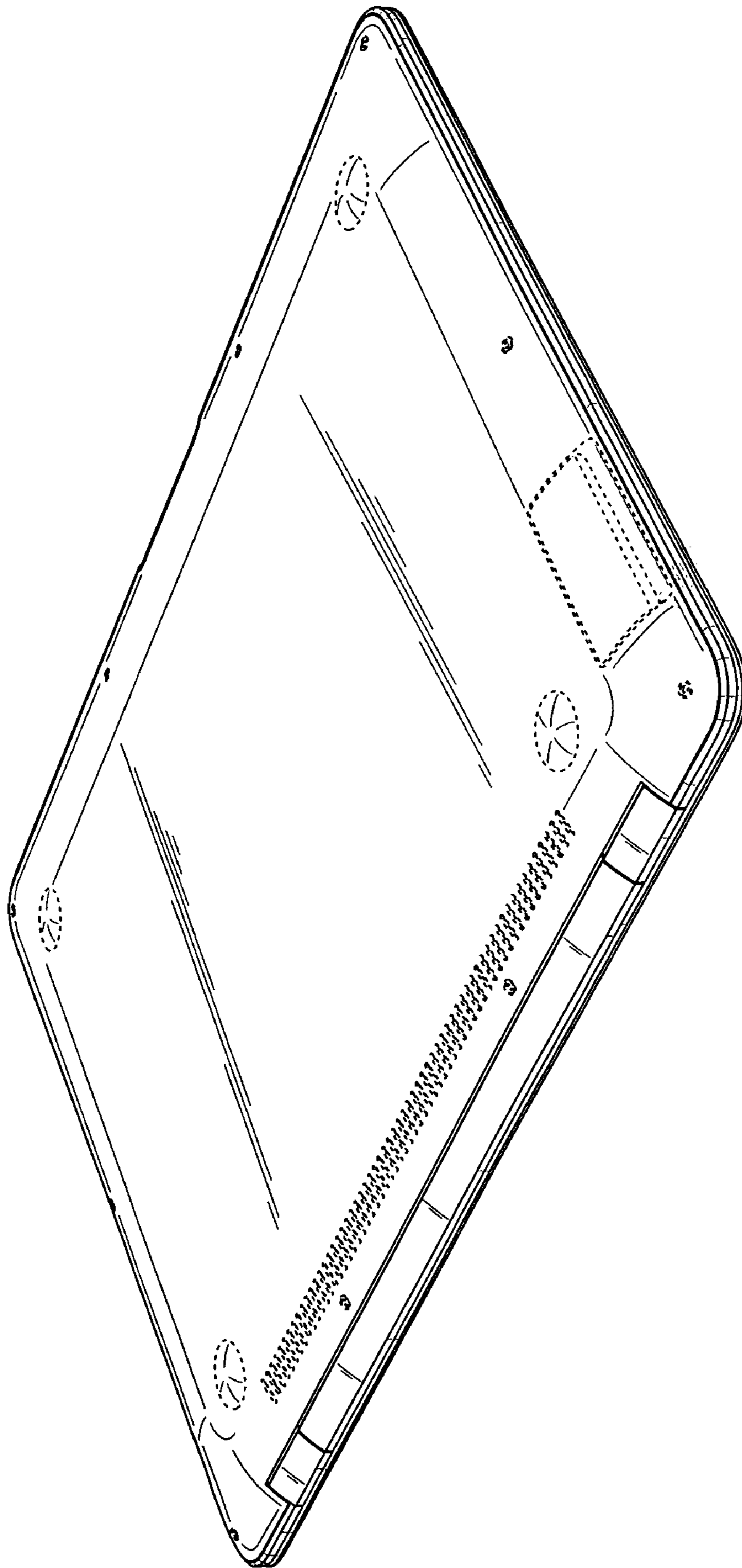


Fig. 14

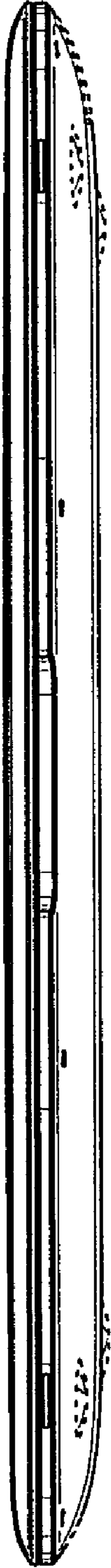


Fig. 15

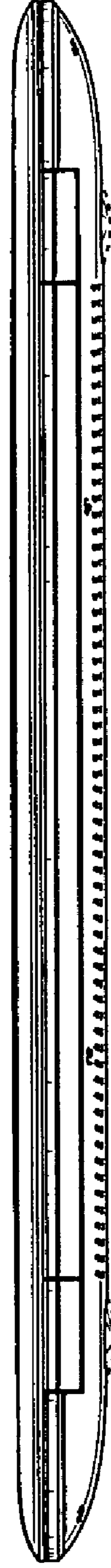


Fig. 16



Fig. 17



Fig. 18

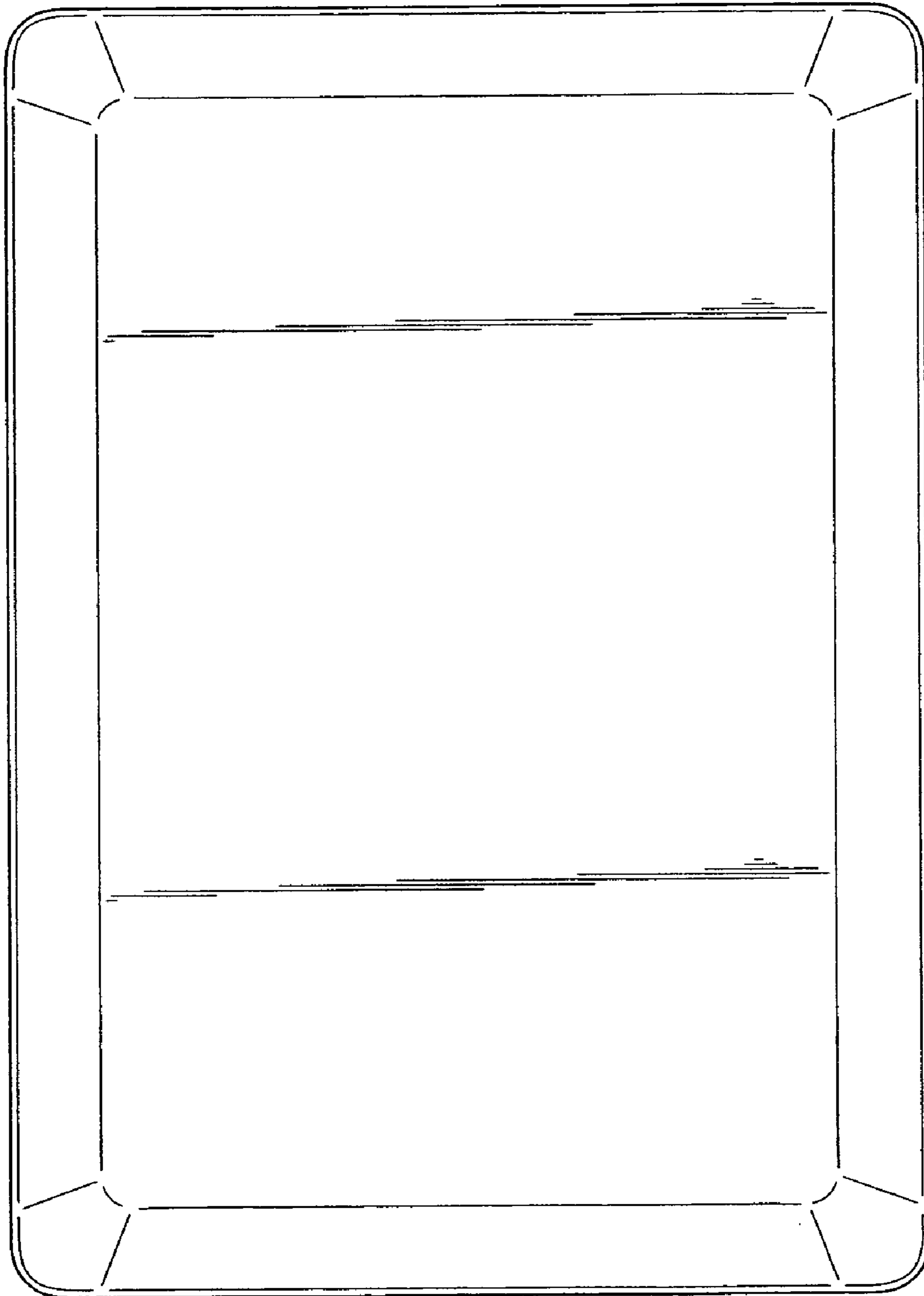


Fig. 19

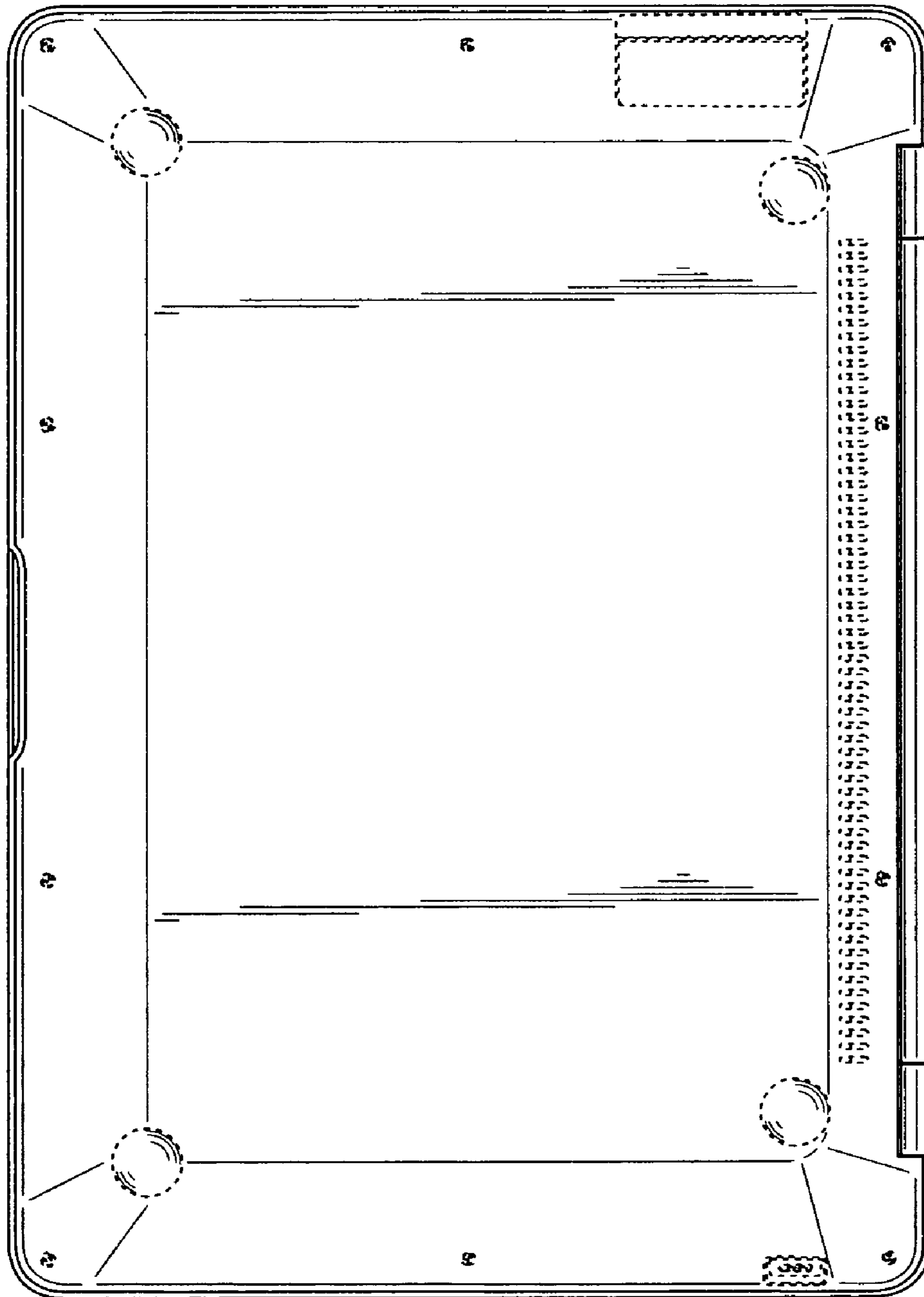


Fig. 20

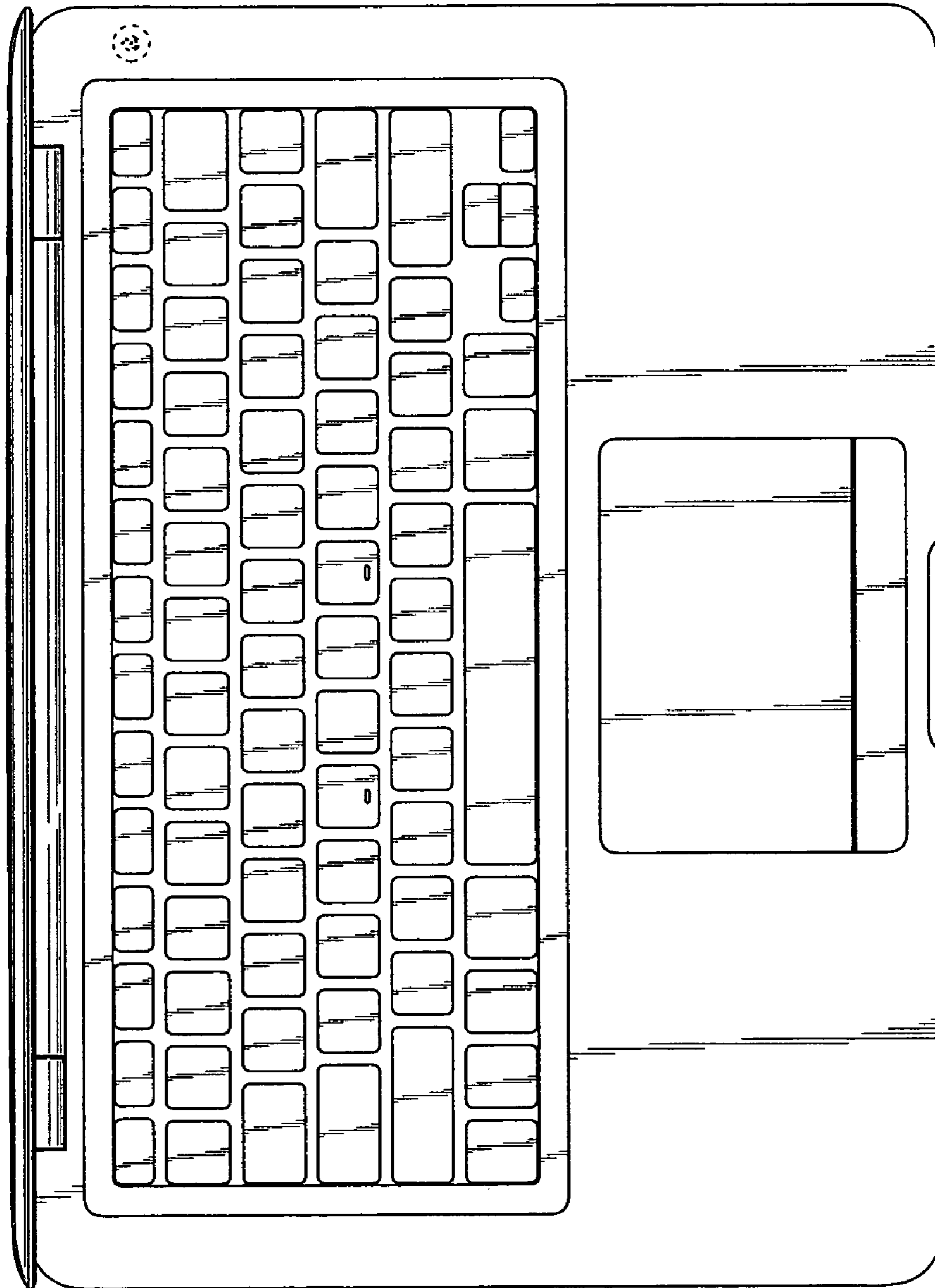


Fig. 21

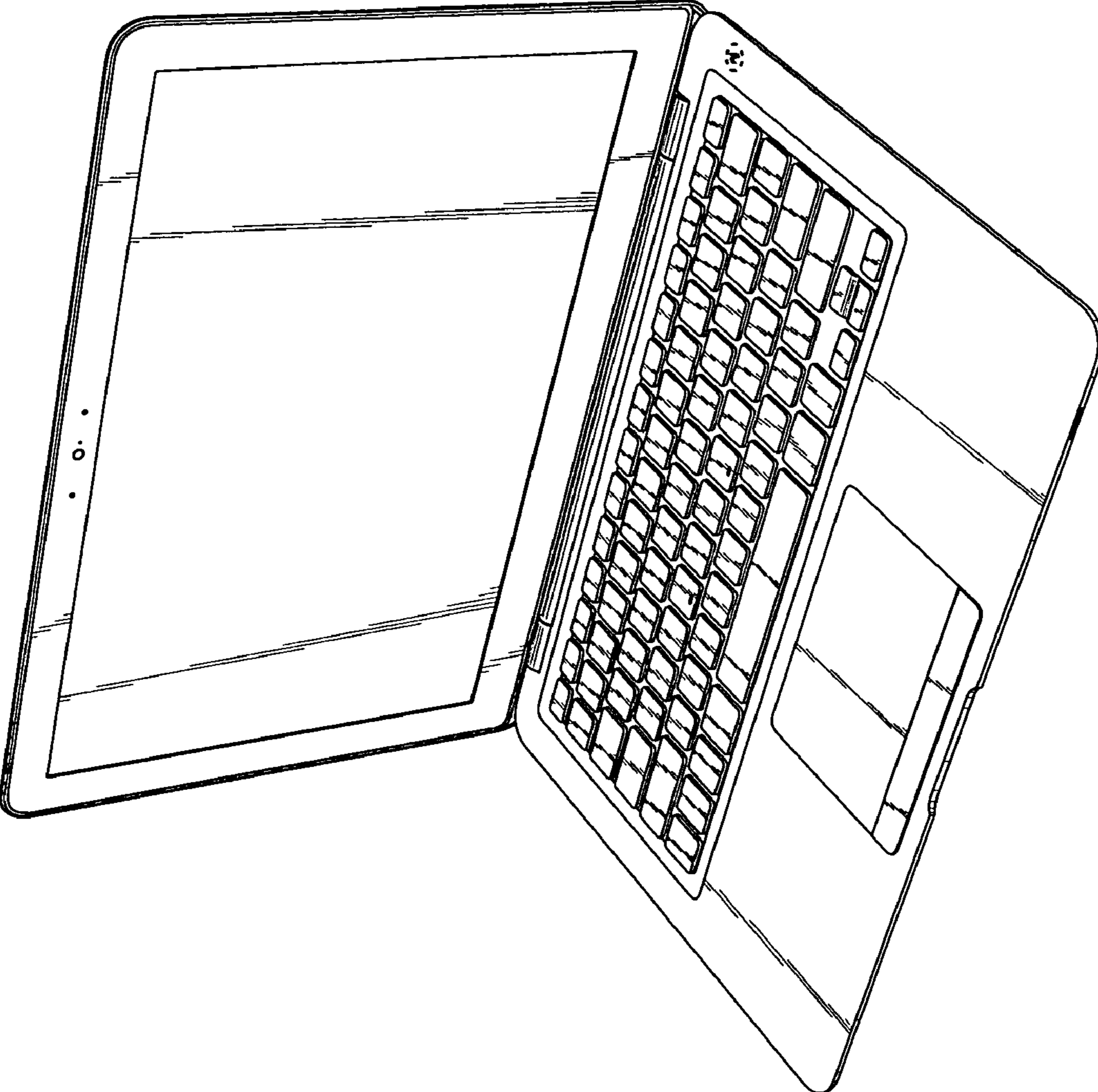


Fig. 22

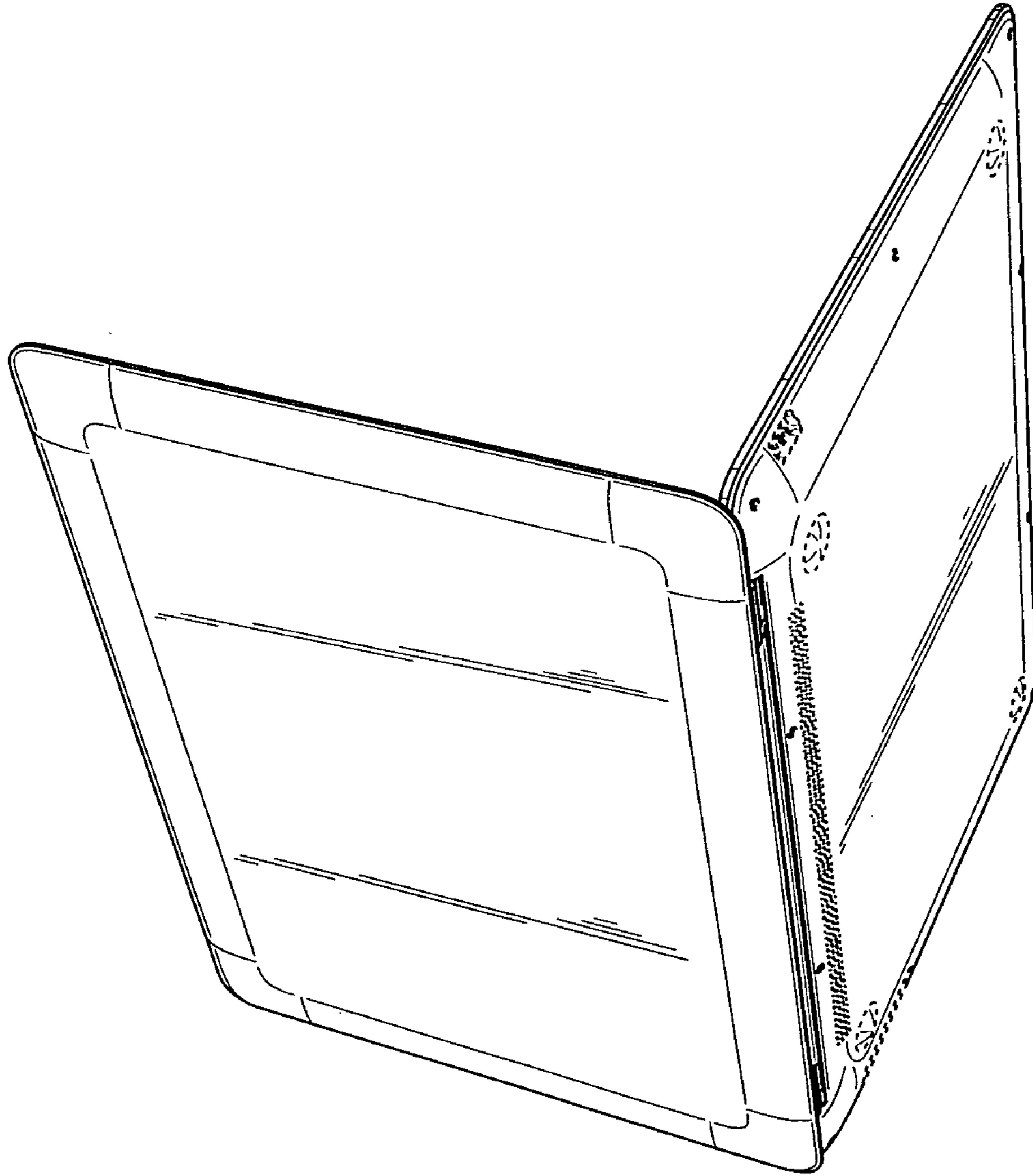


Fig. 23

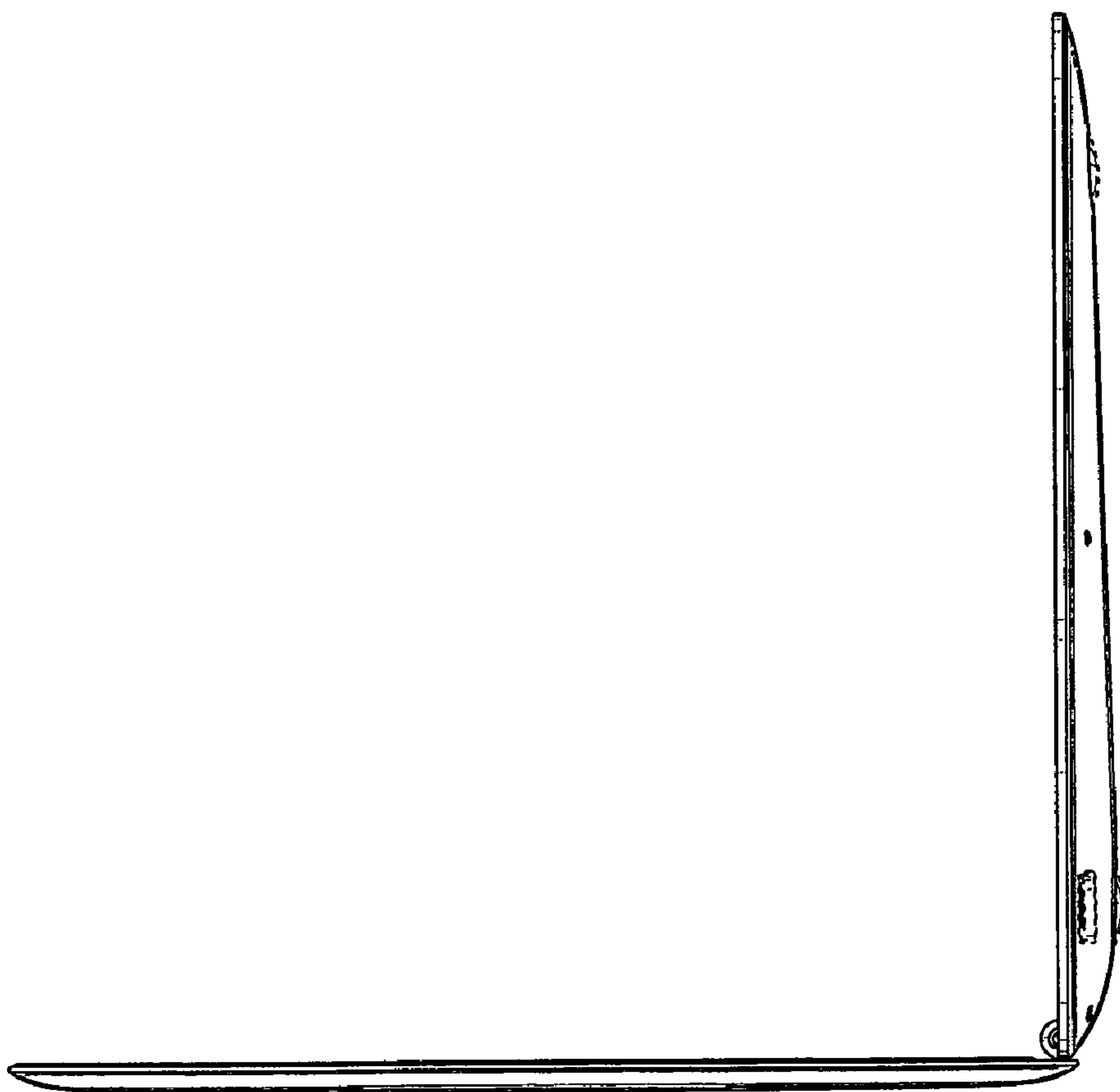


Fig. 24