



US00D600679S

(12) **United States Design Patent**
Upham et al.

(10) **Patent No.:** **US D600,679 S**
(45) **Date of Patent:** **** Sep. 22, 2009**

(54) **COMBINED PORTABLE PLAYER AND DOCK FOR A DIGITAL AUDIO PLAYER**

(75) Inventors: **Adriana G. Upham**, Pembroke Pines, FL (US); **Joshua K. Goldstein**, Plantation, FL (US); **Kuni Goda**, Sunrise, FL (US); **Raul Febles**, Weston, FL (US); **Matthew Paprocki**, Los Angeles, CA (US); **Jayson Pegler**, Moorpark, CA (US)

(73) Assignee: **Imation Corp.**, Oakdale, MN (US)

(**) Term: **14 Years**

(21) Appl. No.: **29/312,576**

(22) Filed: **Oct. 30, 2008**

(51) **LOC (9) Cl.** **14-03**

(52) **U.S. Cl.** **D14/217**

(58) **Field of Classification Search** D14/142, D14/149, 155, 157, 188, 191–193, 203.1–203.8, D14/217, 251, 253, 432–435.1, 447, 451, D14/474, 480.1–480.7, 496; D13/107, 108, D13/118; D3/218; 248/221.11, 309.1; 320/107, 320/110, 113–115; 361/600, 679, 683, 686; 439/529, 534; 455/556.1–556.2, 557
See application file for complete search history.

(56) **References Cited**

U.S. PATENT DOCUMENTS

D347,218 S *	5/1994	Shuler	D14/137
D495,336 S	8/2004	Andre et al.		
D512,418 S *	12/2005	Sarasjoki	D14/253
D523,840 S *	6/2006	Heath et al.	D14/188
D536,665 S *	2/2007	Solland	D13/108
D546,348 S *	7/2007	Yuyama	D14/496
D551,212 S	9/2007	Andre et al.		
D551,213 S	9/2007	Andre et al.		
D552,085 S	10/2007	Andre et al.		

D553,122 S	10/2007	Solland		
D553,123 S	10/2007	Solland		
D554,108 S *	10/2007	Solland	D14/217
D556,737 S *	12/2007	Oh	D14/214
D558,738 S	1/2008	Andre et al.		
D558,739 S	1/2008	Andre et al.		
D562,302 S *	2/2008	Franck et al.	D14/149
D568,874 S	5/2008	Andre et al.		
D570,335 S	6/2008	Andre et al.		
D571,360 S	6/2008	Andre et al.		
D575,275 S	8/2008	Andre et al.		
D578,110 S	10/2008	Andre et al.		
D578,512 S	10/2008	Andre et al.		
D582,416 S *	12/2008	Duarte et al.	D14/434
D582,891 S *	12/2008	Khoo et al.	D14/214

* cited by examiner

Primary Examiner—Stella M Reid

Assistant Examiner—Keli L Hill

(74) *Attorney, Agent, or Firm*—Eric D. Levinson

(57) **CLAIM**

The ornamental design for a combined portable player and dock for a digital audio player, as shown and described.

DESCRIPTION

FIG. 1 is a perspective view of a combined portable player and dock for a digital audio player illustrating the new design;

FIG. 2 is a front elevation view thereof;

FIG. 3 is a back elevation view thereof;

FIG. 4 is a top plan view thereof;

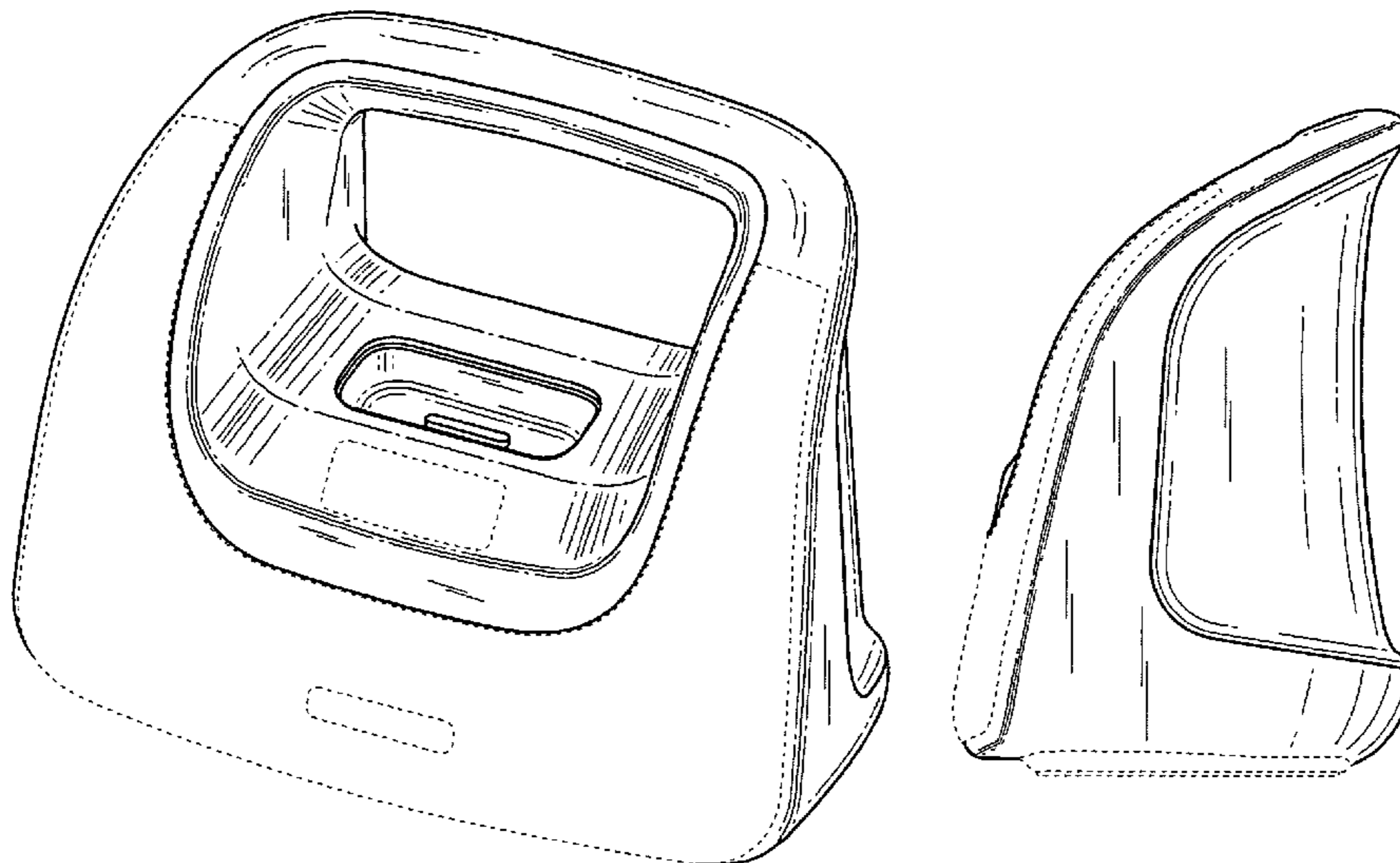
FIG. 5 is a bottom plan view thereof;

FIG. 6 is a right side view thereof; and,

FIG. 7 is a left side view thereof.

The broken lines represent the portions of the design that form no part of the claim.

1 Claim, 5 Drawing Sheets



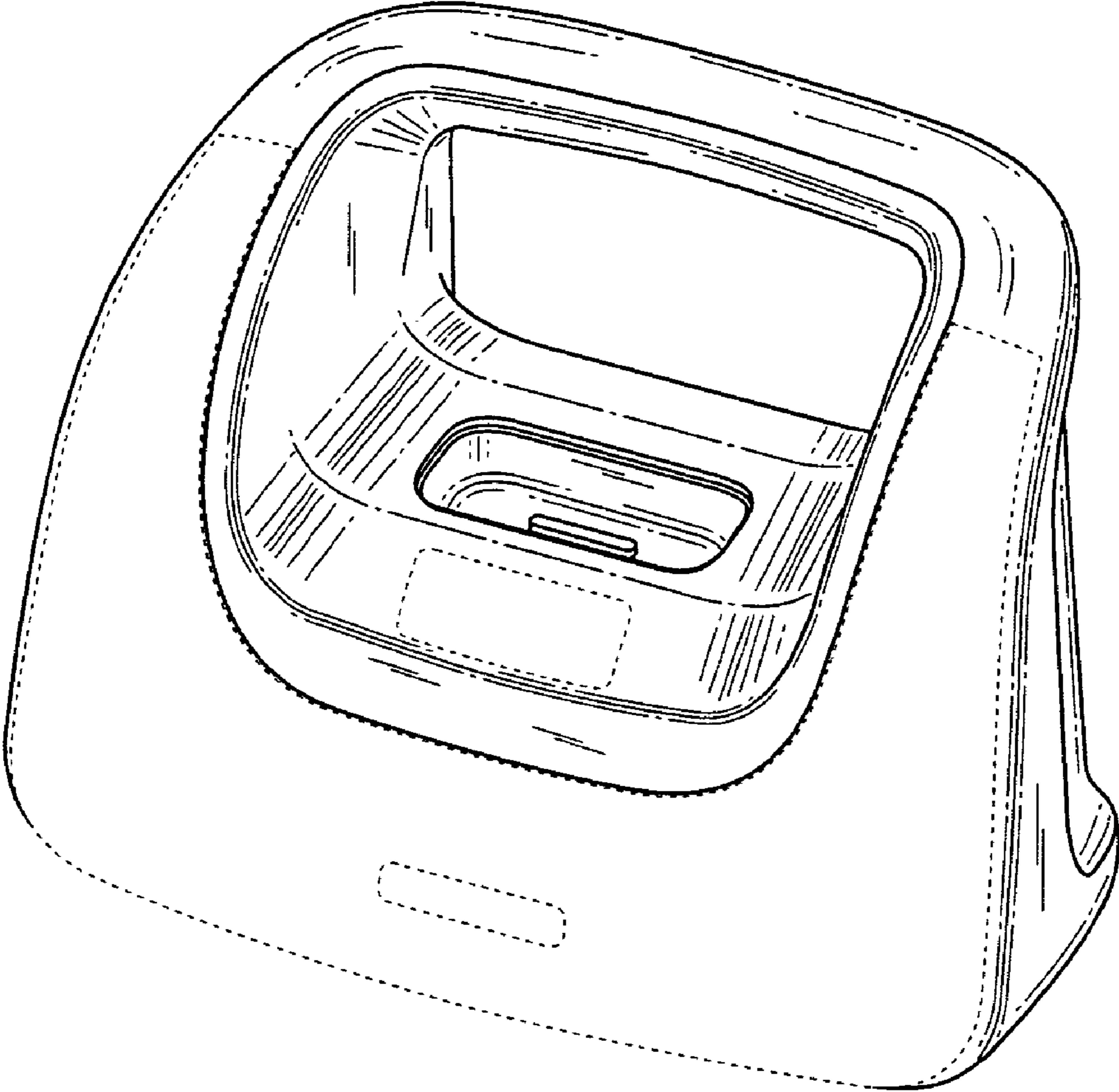


Fig. 1

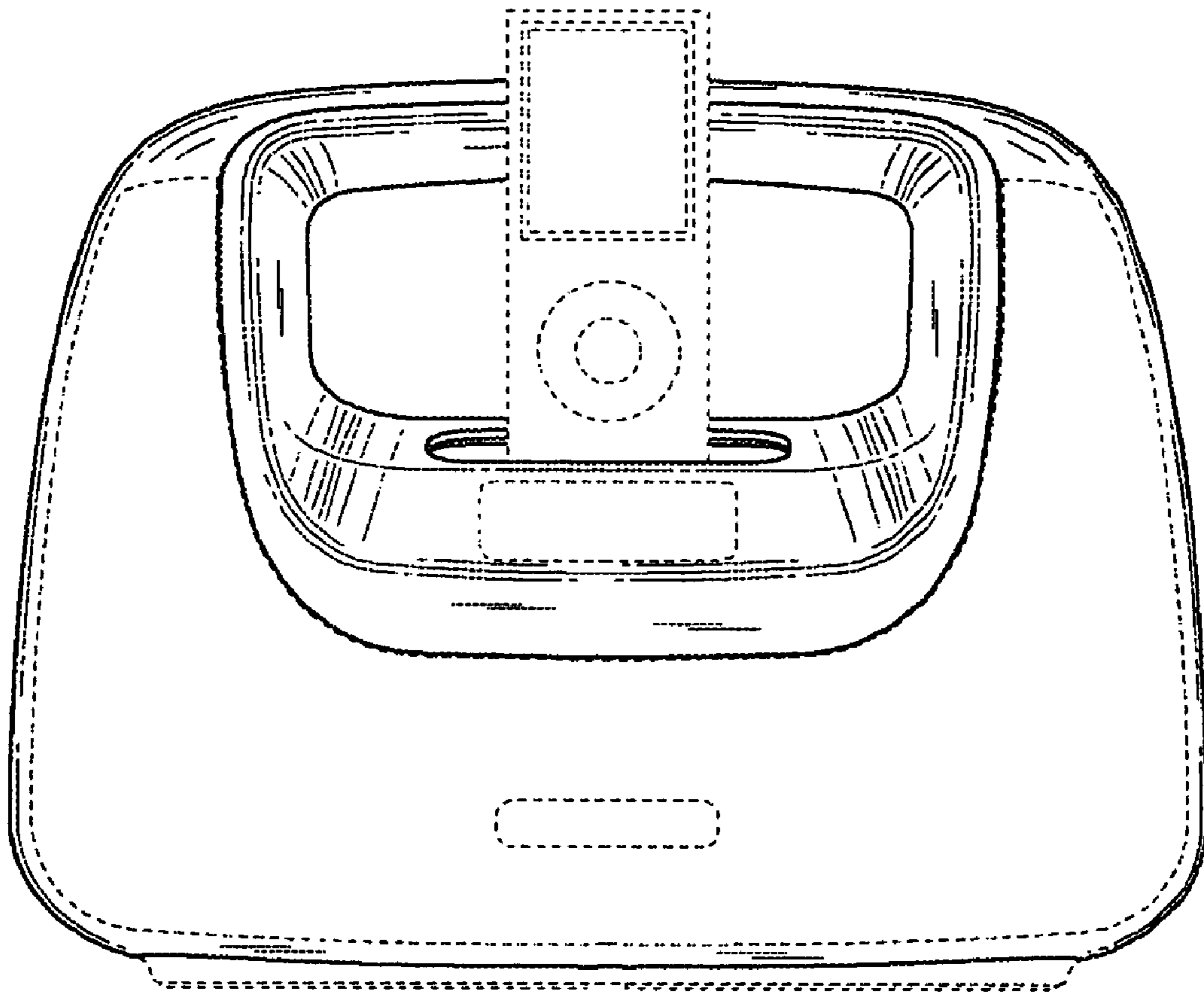


Fig. 2

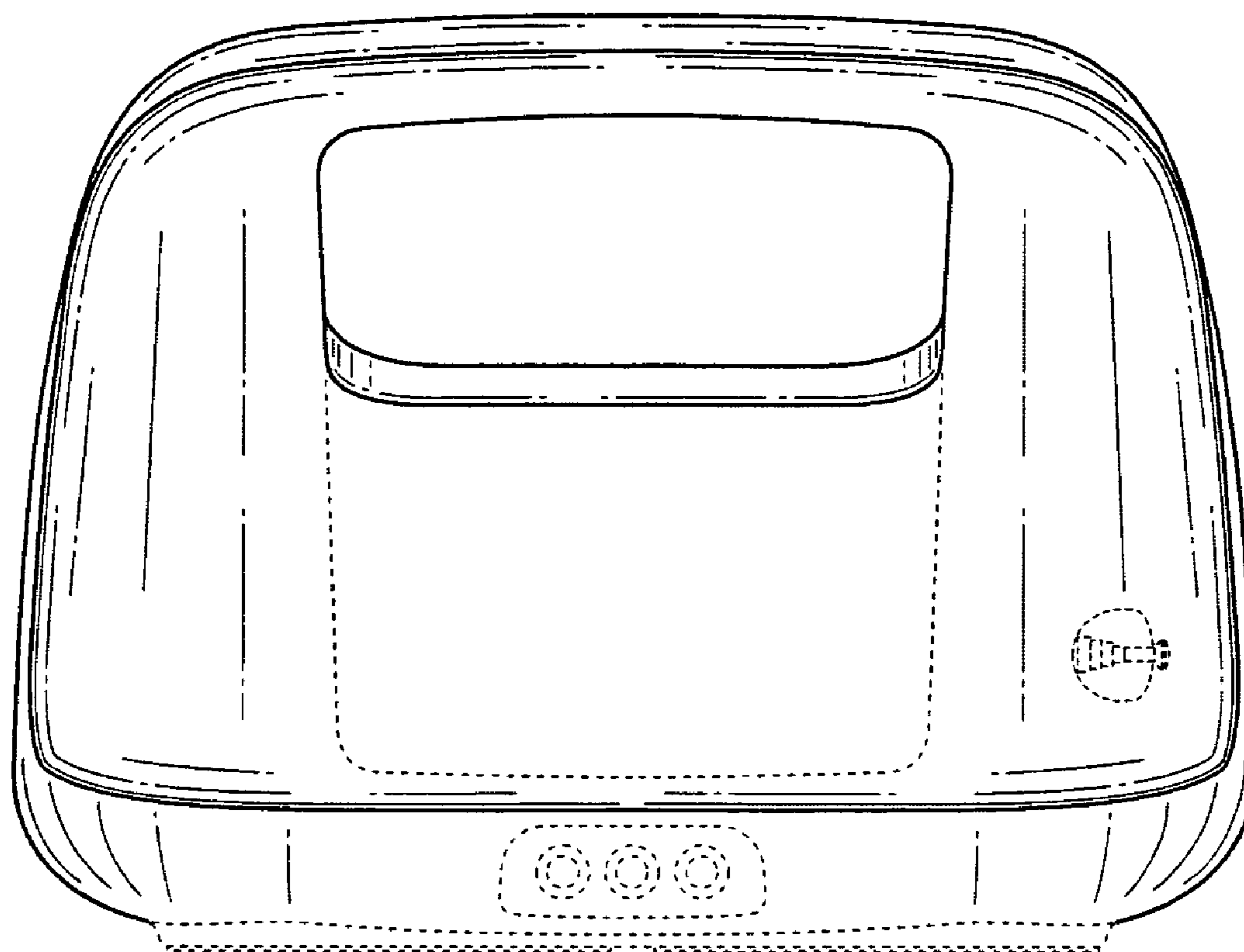


Fig. 3

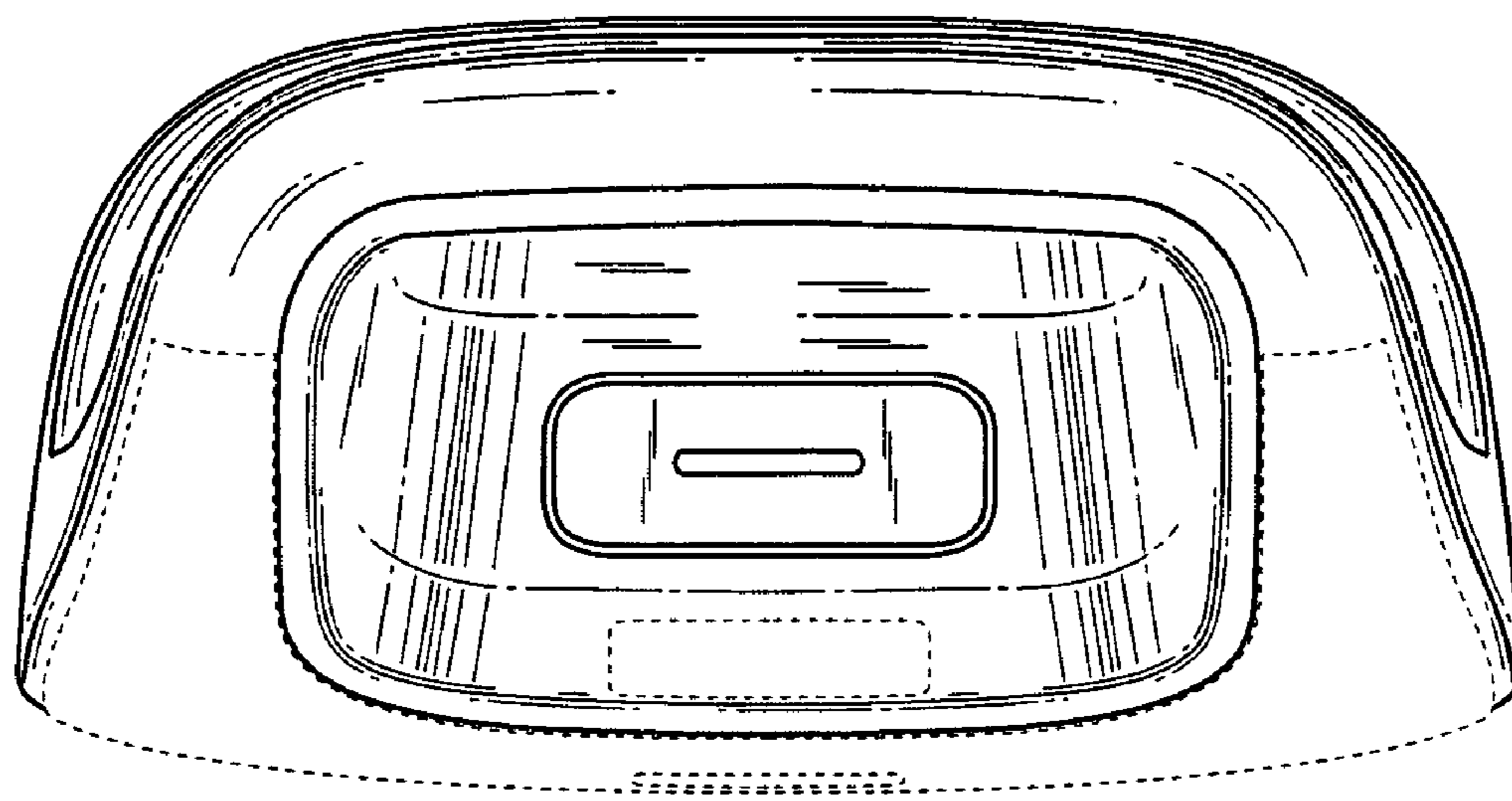


Fig. 4

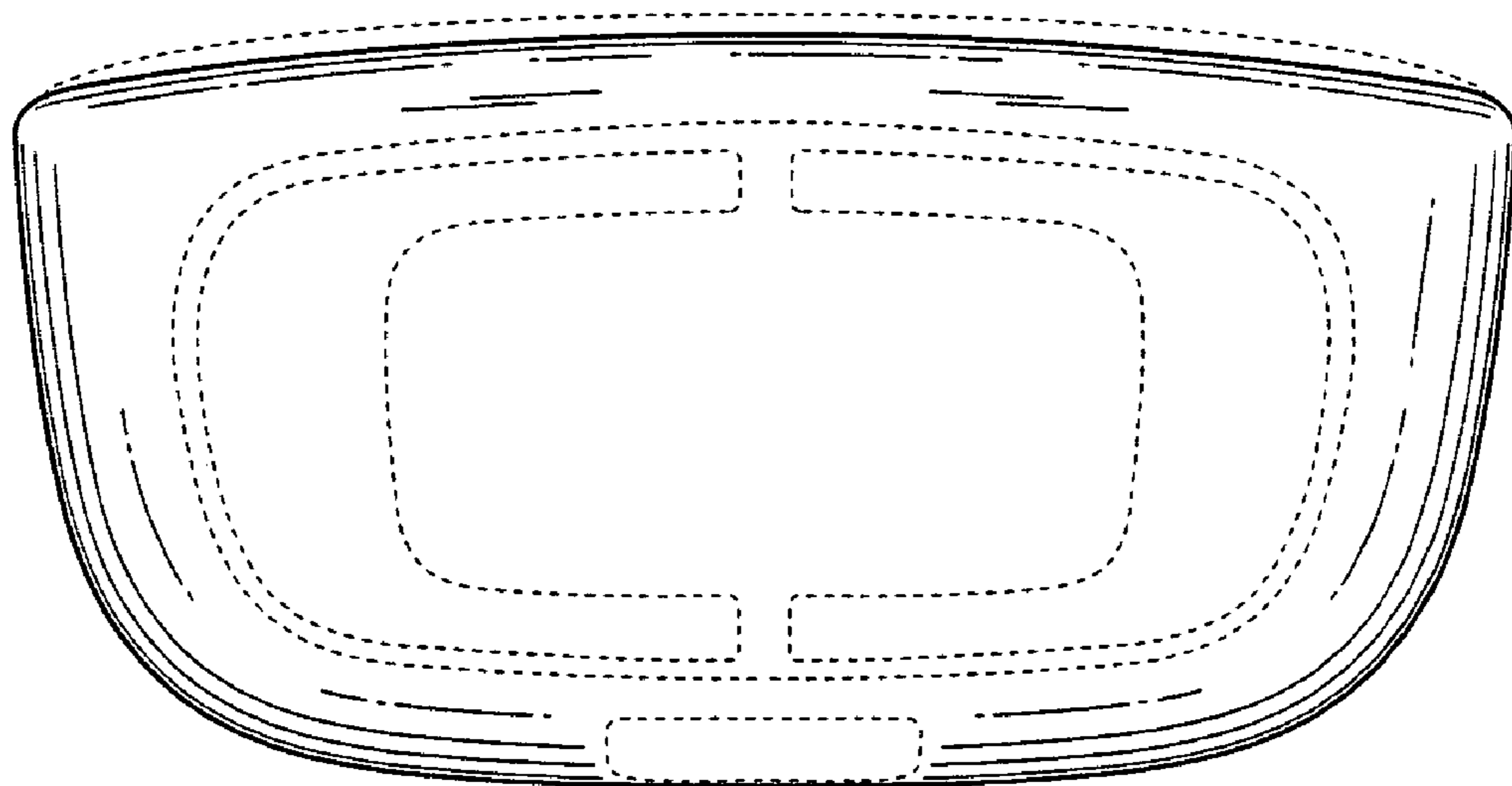


Fig. 5

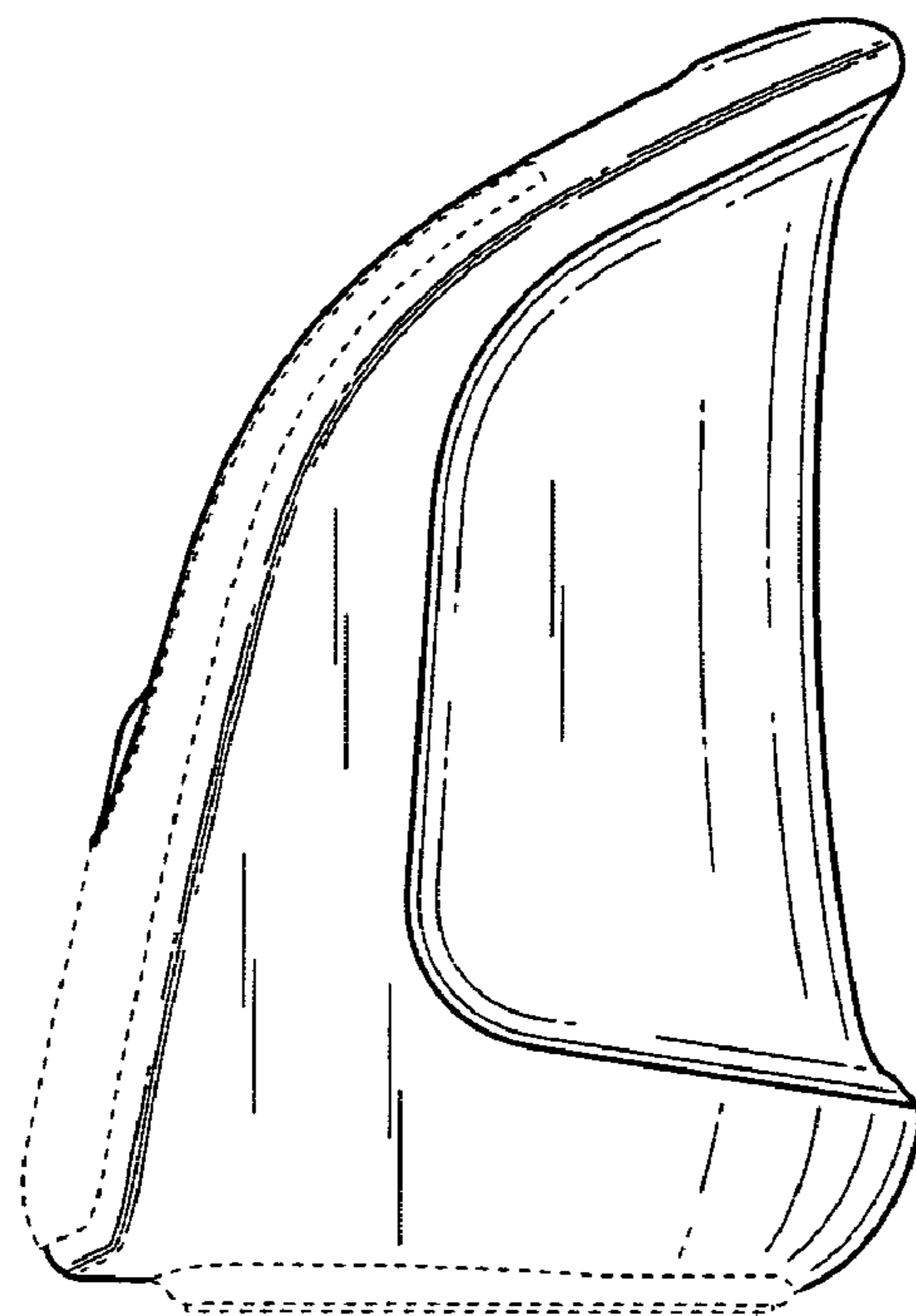


Fig. 6

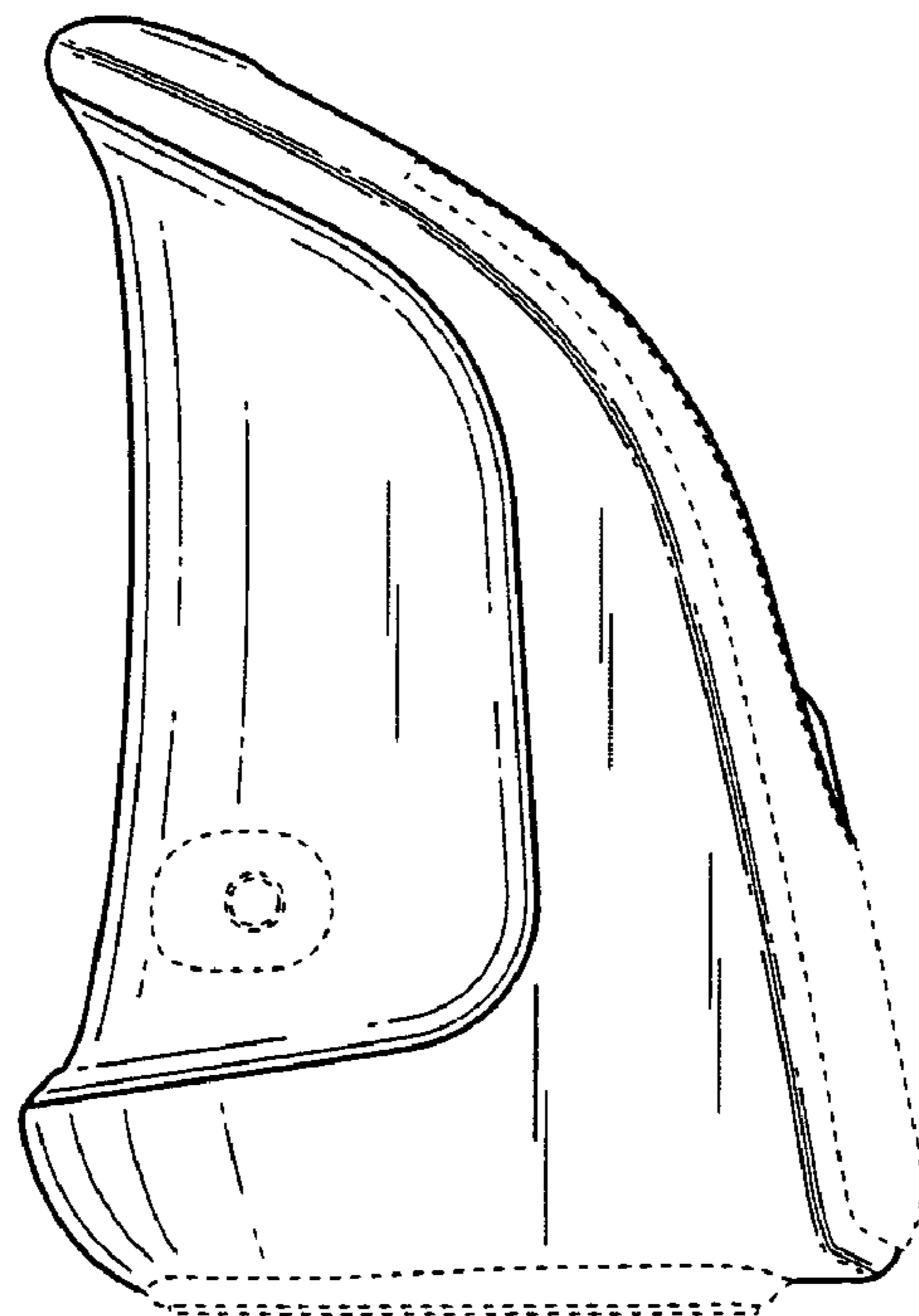


Fig. 7