

US00D600676S

(12) **United States Design Patent**
Maurer et al.

(10) **Patent No.:** **US D600,676 S**

(45) **Date of Patent:** **** Sep. 22, 2009**

(54) **CEILING MOUNT AUDIO SPEAKER**

(75) Inventors: **Ronald D. Maurer**, Carlsbad, CA (US);
Sean P. McDermott, El Cajon, CA
(US); **Richard P. Apgar**, Lakeside, CA
(US)

(73) Assignee: **Three Amigos LLC**, El Cajon, CA (US)

(**) Term: **14 Years**

(21) Appl. No.: **29/323,577**

(22) Filed: **Aug. 27, 2008**

(51) **LOC (9) Cl.** **14-01**

(52) **U.S. Cl.** **D14/209; D14/216**

(58) **Field of Classification Search** D14/204,
D14/207, 209–216, 172, 221, 222; 181/143–144,
181/147–148, 150–153, 157, 198–199; 381/182,
381/300–303, 306, 332–333, 336, 345, 361–364,
381/386–388

See application file for complete search history.

(56) **References Cited**

U.S. PATENT DOCUMENTS

4,811,406	A	3/1989	Kawachi	
5,319,164	A	6/1994	Shen	
5,635,686	A	6/1997	Fenton	
D419,561	S *	1/2000	Haase et al. D14/216
6,101,262	A	8/2000	Haase et al.	
6,282,297	B1	8/2001	Lin	

D476,313	S *	6/2003	Rivera D14/216
6,683,963	B2	1/2004	Sterns et al.	
6,792,125	B1	9/2004	David et al.	
D497,902	S *	11/2004	Farinelli et al. D14/216
7,178,628	B2 *	2/2007	Gordon 181/153
D559,835	S	1/2008	Marshall	
2003/0123684	A1	7/2003	Call, II et al.	
2005/0224281	A1	10/2005	Gordon	
2007/0144825	A1	6/2007	Gordon	

* cited by examiner

Primary Examiner—Nanda Bondade

(74) *Attorney, Agent, or Firm*—McKee, Voorhees & Sease, P.L.C.

(57) **CLAIM**

We claim the ornamental design for a ceiling mount audio speaker, substantially as shown and described.

DESCRIPTION

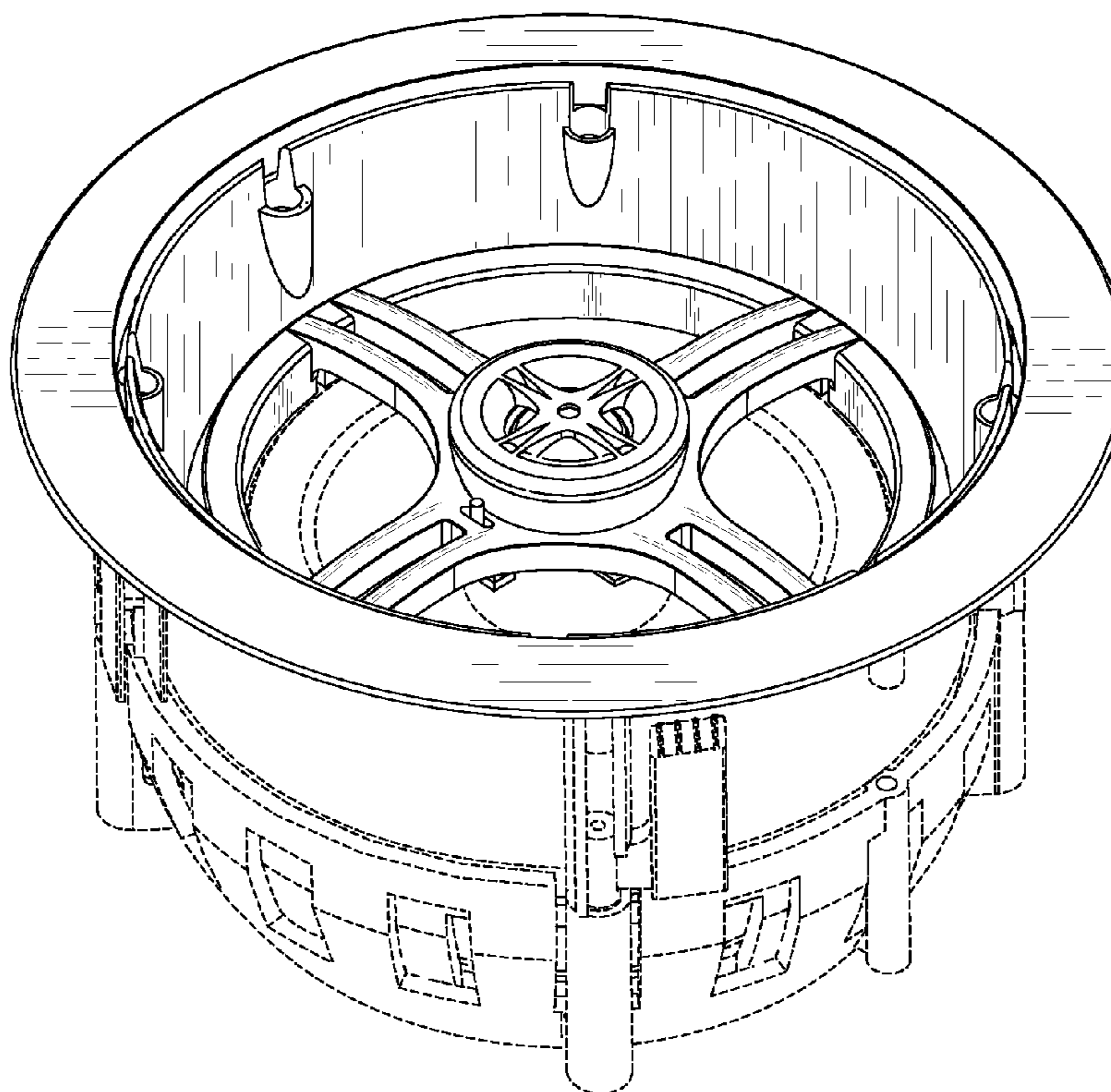
FIG. 1 is a front view of a ceiling mount audio speaker showing our new design;

FIG. 2 is a front perspective view thereof; and,

FIG. 3 is another perspective view with the speaker rotated approximately 45 degrees from the view shown on FIG. 2.

The broken line showing on the drawing disclosure is for illustrative purposes only and forms no part of the claimed design.

1 Claim, 3 Drawing Sheets



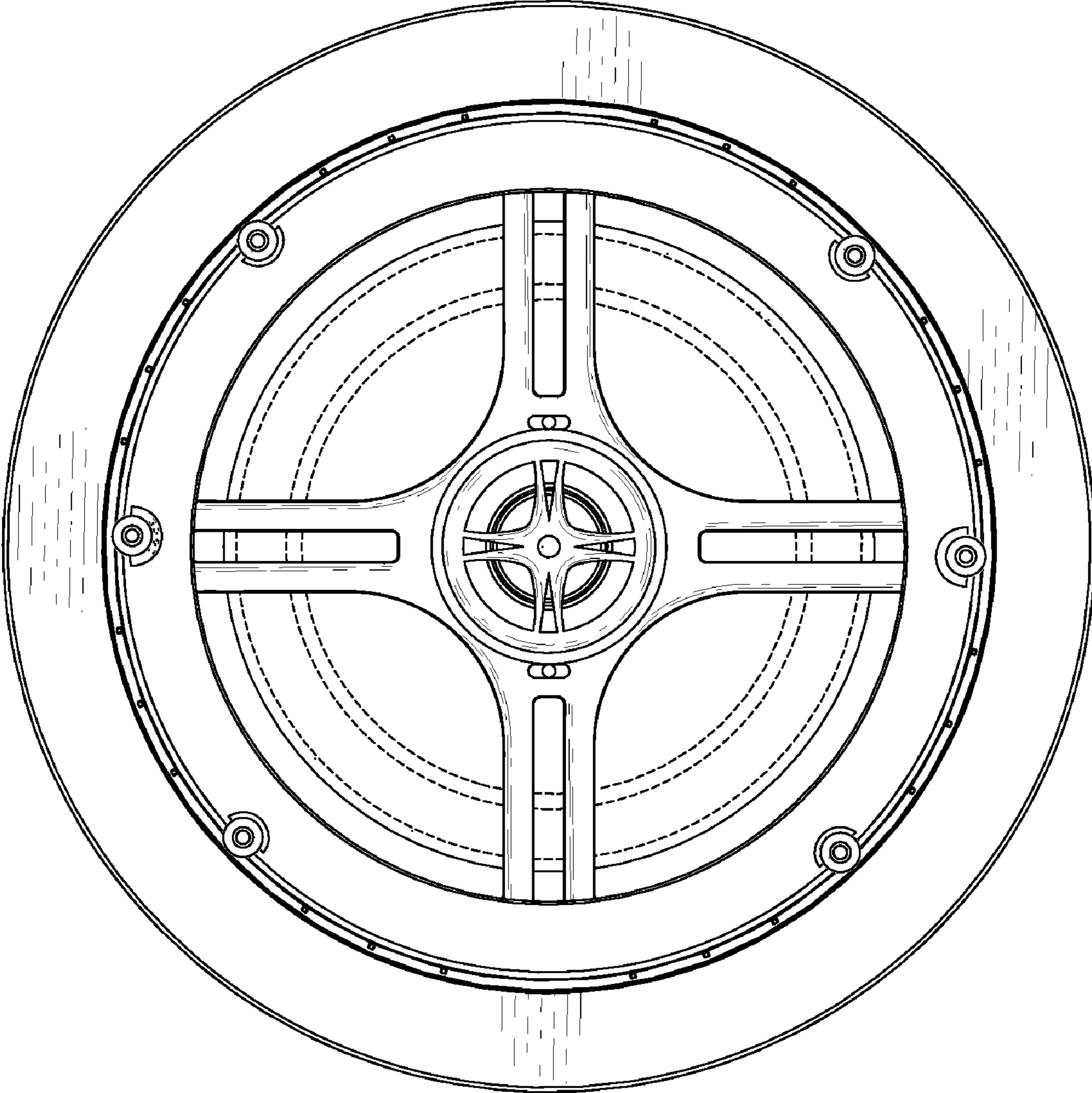


FIG. 1

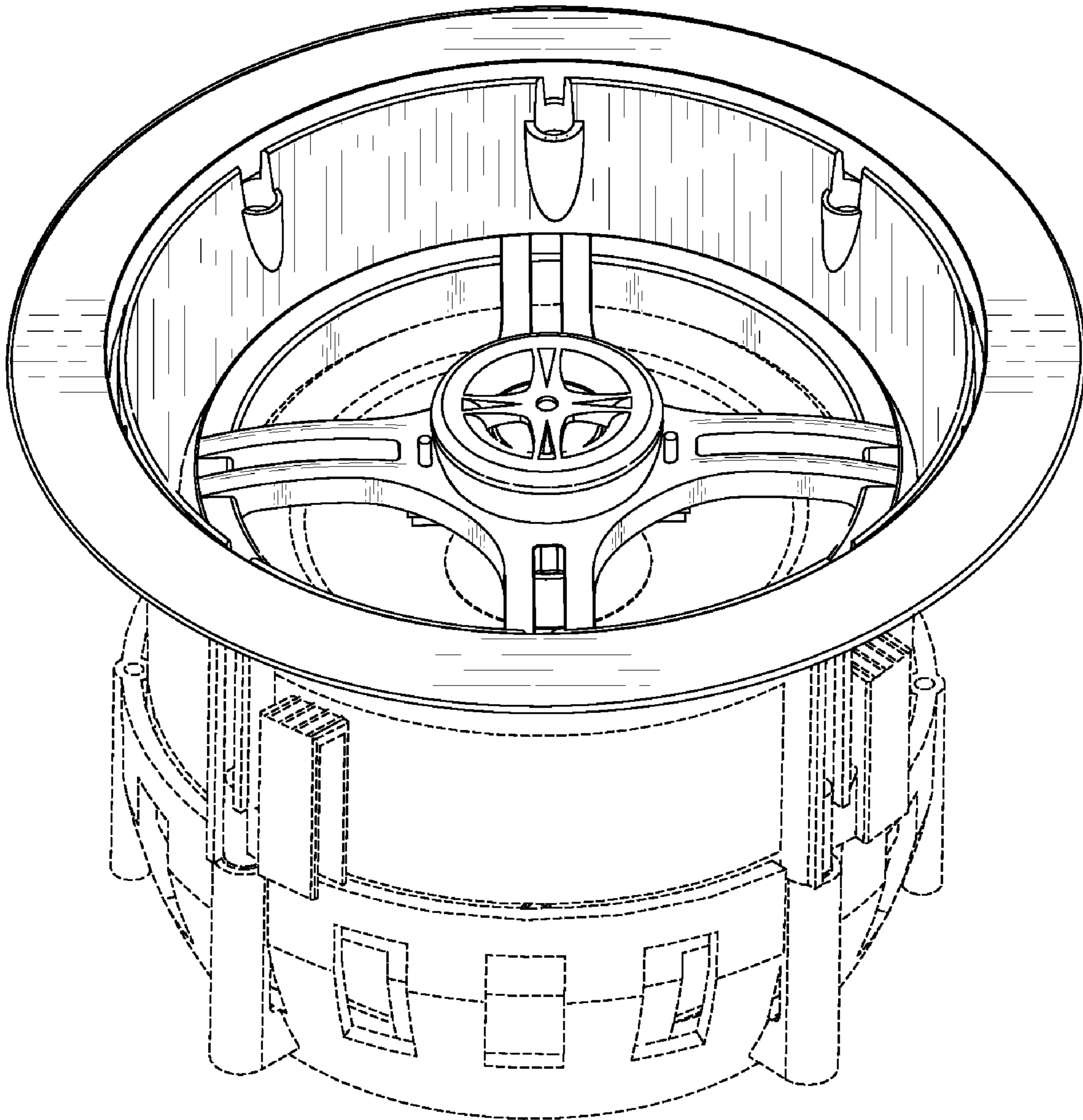


FIG. 2

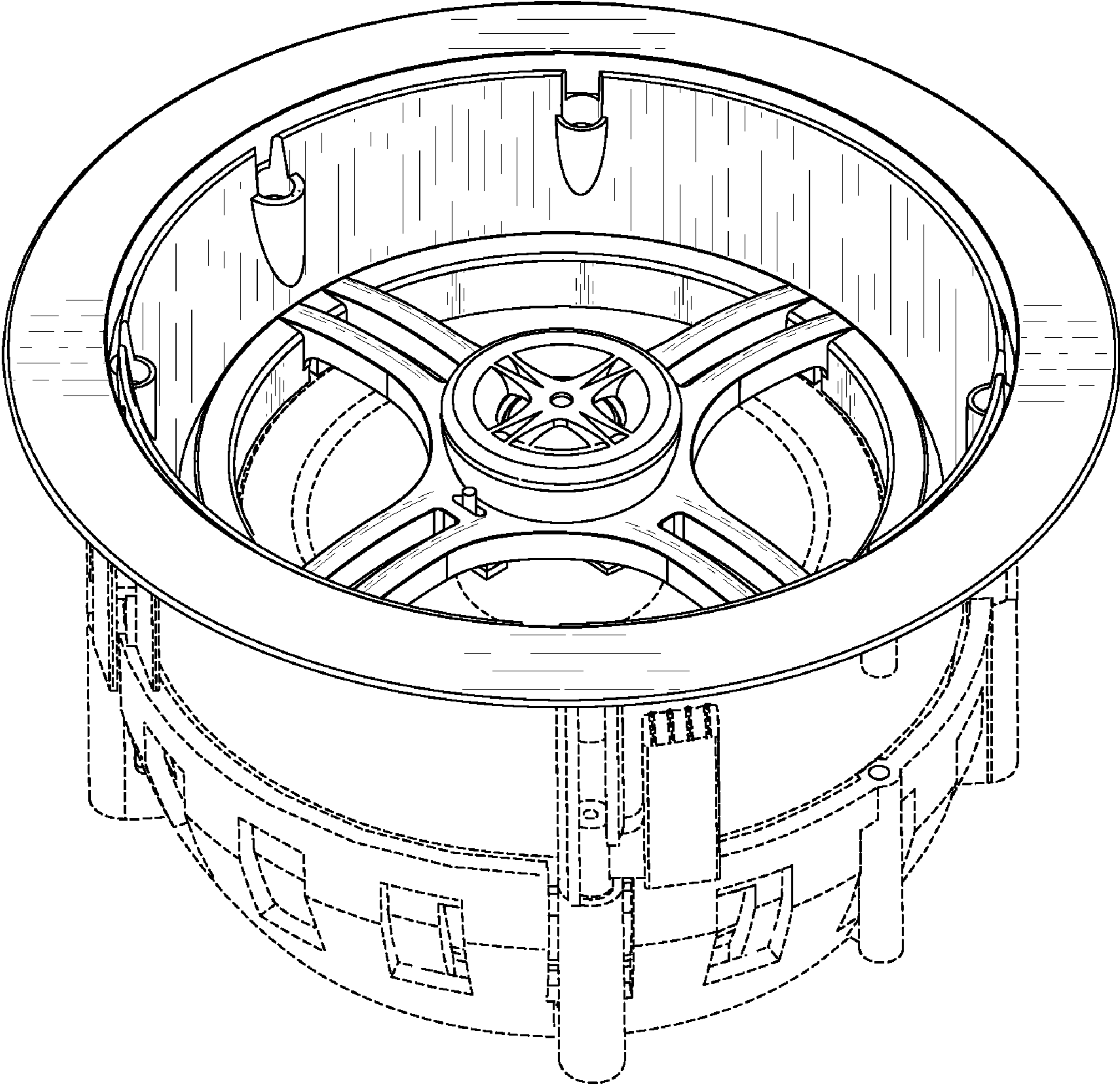


FIG. 3