



(12) **United States Design Patent**  
**Lee et al.**

(10) **Patent No.:** **US D600,675 S**  
(45) **Date of Patent:** **\*\* Sep. 22, 2009**

(54) **PAIR OF IN EAR HEADPHONES**

(75) Inventors: **Noel Lee**, Las Vegas, NV (US); **Jacky Hsiung**, San Jose, CA (US); **Dan Hua**, San Jose, CA (US)

(73) Assignee: **Monster Cable Products, Inc.**, Brisbane, CA (US)

(\*\*) Term: **14 Years**

(21) Appl. No.: **29/322,531**

(22) Filed: **Aug. 6, 2008**

(51) **LOC (9) Cl.** ..... **14-01**

(52) **U.S. Cl.** ..... **D14/205**

(58) **Field of Classification Search** ..... D14/205, D14/206, 223, 142, 188, 192, 249; 181/129, 181/130, 135, 137; 379/430, 431, 420.04; 381/380, 381, 370, 373, 186, 322; 128/864, 128/866, 867; D24/106

See application file for complete search history.

(56) **References Cited**

**U.S. PATENT DOCUMENTS**

2,430,229 A \* 11/1947 Kelsey ..... 381/338  
(Continued)

*Primary Examiner*—Paula Greene

(74) *Attorney, Agent, or Firm*—LaRiviere, Grubman & Payne, LLP

(57) **CLAIM**

The ornamental design for a pair of in ear headphones, as shown and described.

**DESCRIPTION**

FIG. 1 is a perspective view of a pair of in ear headphones showing our new design;

FIG. 1A is a perspective view of a pair of in ear headphones as shown in FIG. 1, with the addition of an enlarged section depicting the intricacies of the new design.

FIG. 2 is a front view thereof;

FIG. 3 is a rear view thereof;

FIG. 4 is a side elevation view of a pair of in ear headphones with one in ear headphone shown separately for ease of illustration;

FIG. 5 is an opposite side elevational view of a pair of in ear headphones with one in ear headphone shown separately for ease of illustration;

FIG. 6 is a top view thereof;

FIG. 7 is a bottom view thereof.

FIG. 8 is a perspective view a second embodiment of a pair of in ear headphones showing our new design.

FIG. 9 is a front view thereof;

FIG. 10 is a rear view thereof;

FIG. 11 is a side elevational view of a pair of in ear headphones with one in ear headphone shown separately for ease of illustration;

FIG. 12 is an opposite side elevational view of a pair of in ear headphones with one in ear headphone shown separately for ease of illustration;

FIG. 13 is a top view thereof;

FIG. 14 is a bottom view thereof;

FIG. 15 is a perspective view of a third embodiment of a pair of in ear headphones showing our new design.

FIG. 16 is a front view thereof;

FIG. 17 is a rear view thereof;

FIG. 18 is a side elevational view of a pair of in ear headphones with one in ear headphone shown separately for ease of illustration;

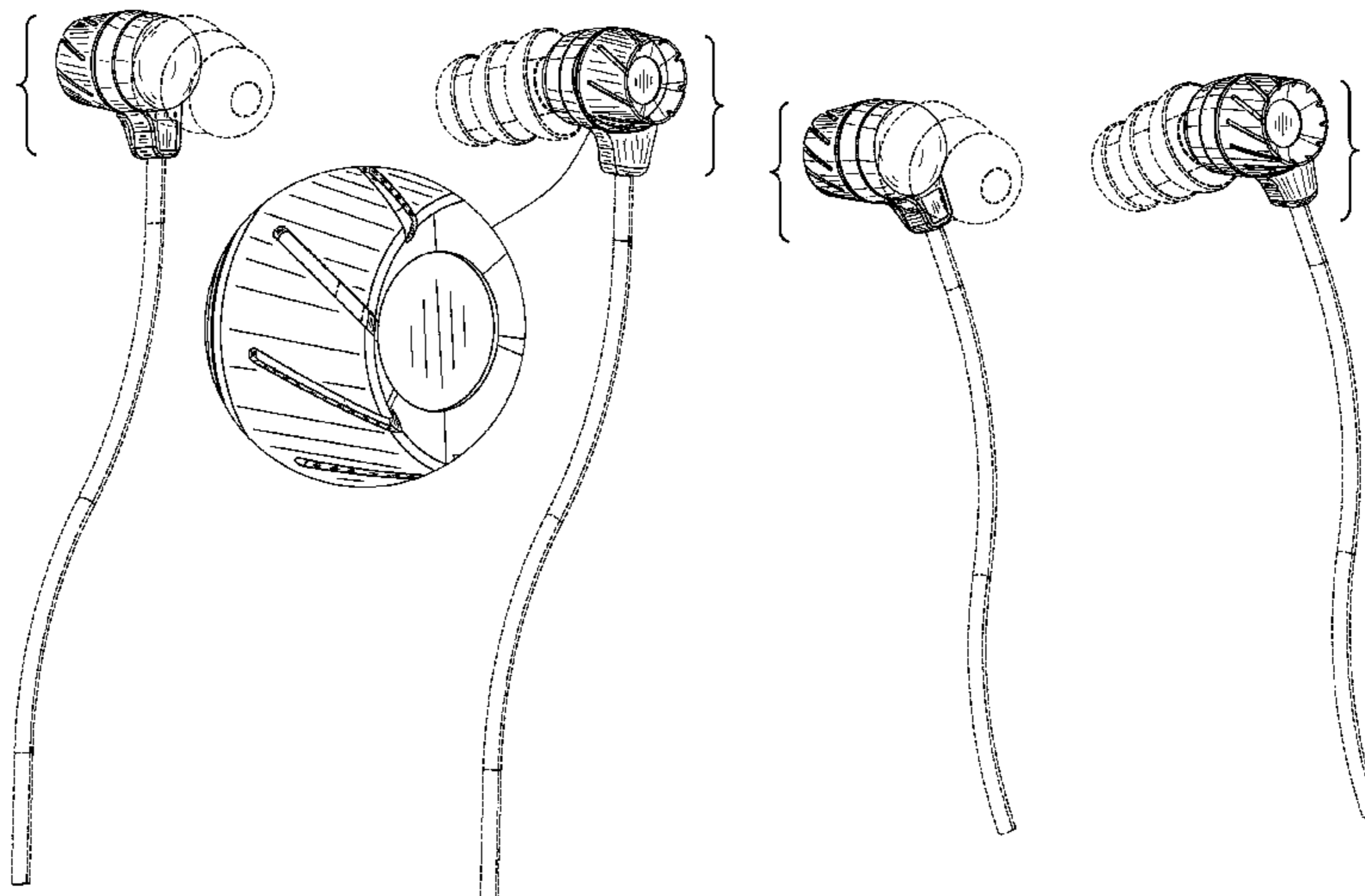
FIG. 19 is an opposite side elevational view of a pair of in ear headphones with one in ear headphone shown separately for ease of illustration;

FIG. 20 is a top view thereof; and,

FIG. 21 is a bottom view thereof.

The broken lines showing the environment in the Figures are for illustrative purposes only and form no part of the claimed design.

**1 Claim, 13 Drawing Sheets**



# US D600,675 S

Page 2

## U.S. PATENT DOCUMENTS

2,508,918	A *	5/1950	Hines, Jr. ....	455/351	D550,657	S *	9/2007	Gan et al. ....	D14/223
D311,007	S *	10/1990	Daido .....	D14/205	D554,627	S *	11/2007	Gondo .....	D14/223
D318,473	S *	7/1991	Miyashita et al. ....	D14/223	D555,152	S *	11/2007	Wang .....	D14/223
D340,932	S *	11/1993	Yan .....	D14/249	D566,099	S *	4/2008	Komiyama .....	D14/206
5,363,444	A *	11/1994	Norris .....	379/430	D566,687	S *	4/2008	Duarte et al. ....	D14/205
5,373,555	A *	12/1994	Norris et al. ....	379/430	D567,217	S *	4/2008	Kamo et al. ....	D14/205
5,844,984	A *	12/1998	Yamaguchi et al. ....	379/430	D572,703	S *	7/2008	Ledbetter et al. ....	D14/205
D459,342	S *	6/2002	Marion et al. ....	D14/223	D572,706	S *	7/2008	Schaefer .....	D14/225
D467,907	S *	12/2002	Marion et al. ....	D14/223	D574,361	S *	8/2008	Sasaki .....	D14/205
D487,077	S *	2/2004	Obata .....	D14/223	D576,154	S *	9/2008	Ledbetter et al. ....	D14/223
6,704,429	B2 *	3/2004	Lin .....	381/380	D578,507	S *	10/2008	Ando .....	D14/205
6,731,772	B1 *	5/2004	Byun .....	381/380	D578,518	S *	10/2008	Ewert .....	D14/223
					D594,441	S *	6/2009	Lee et al. ....	D14/205

\* cited by examiner

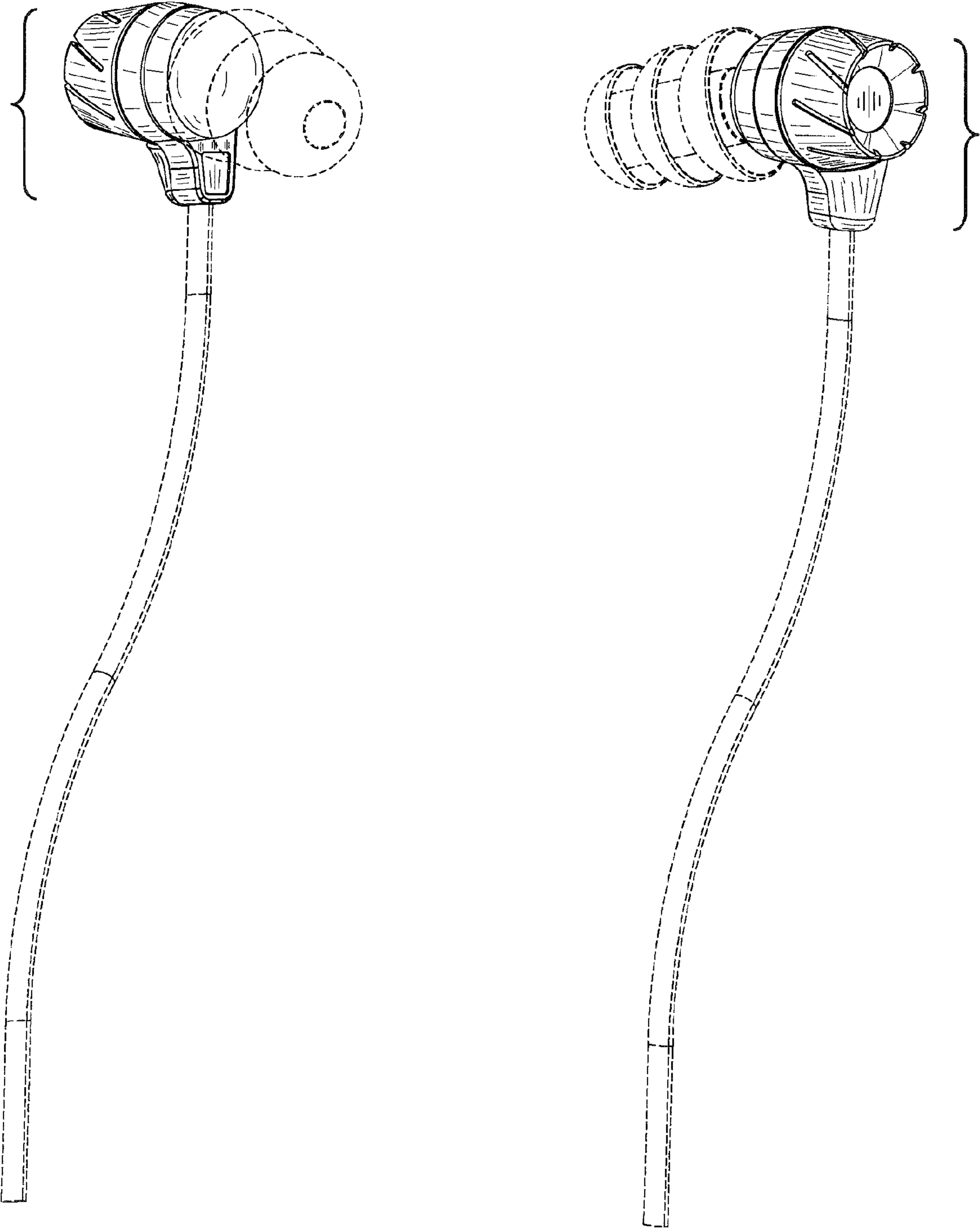


Figure 1

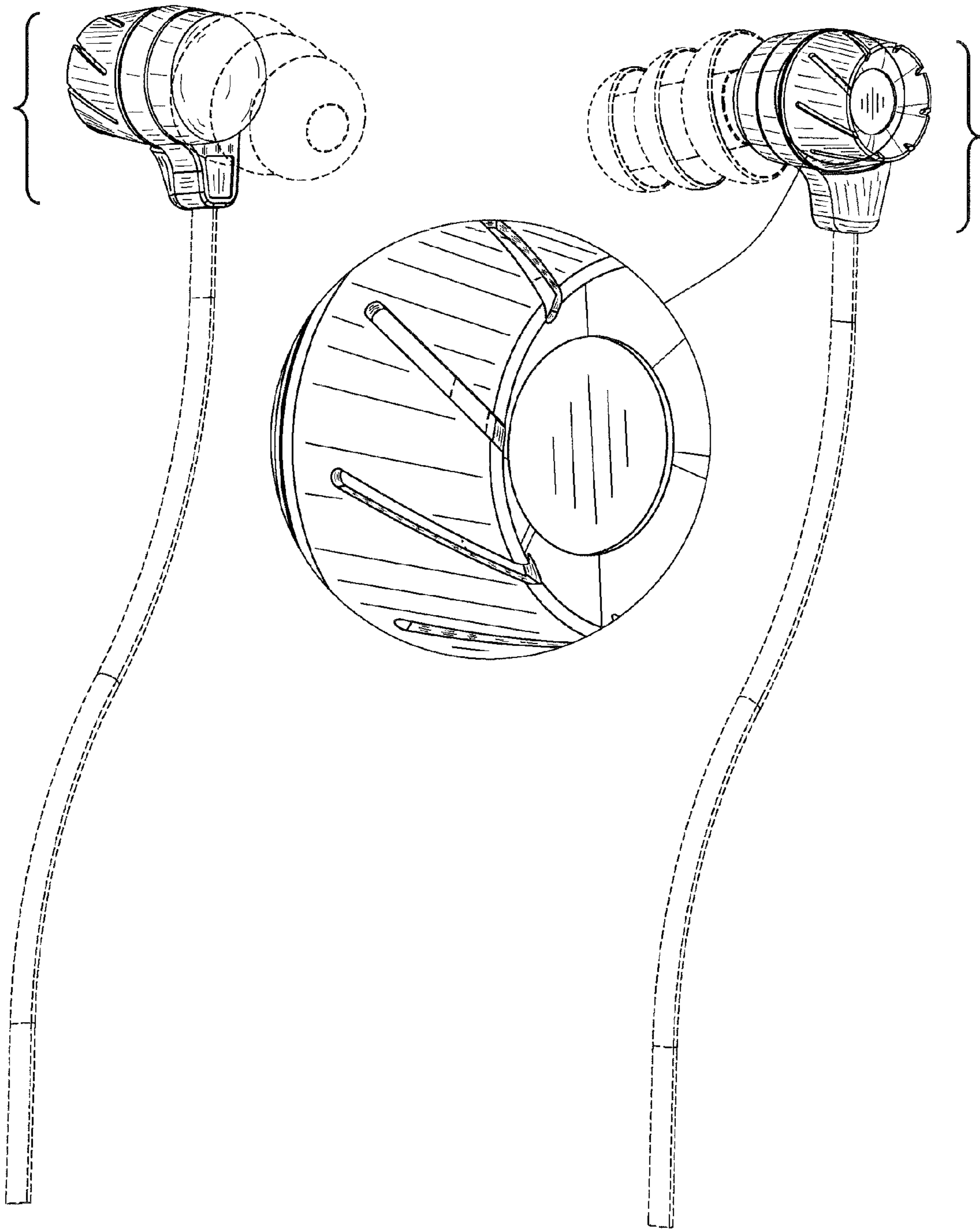
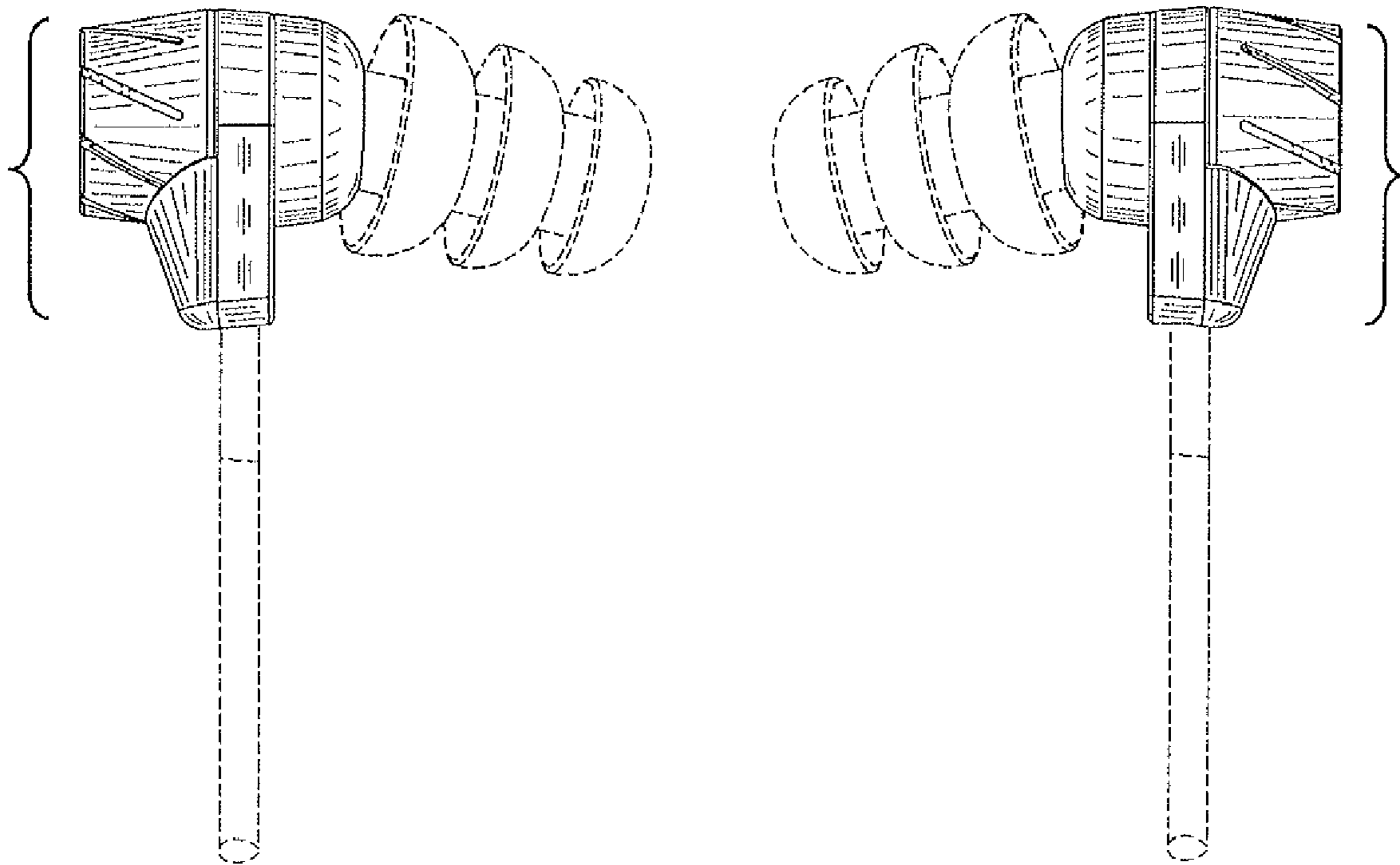
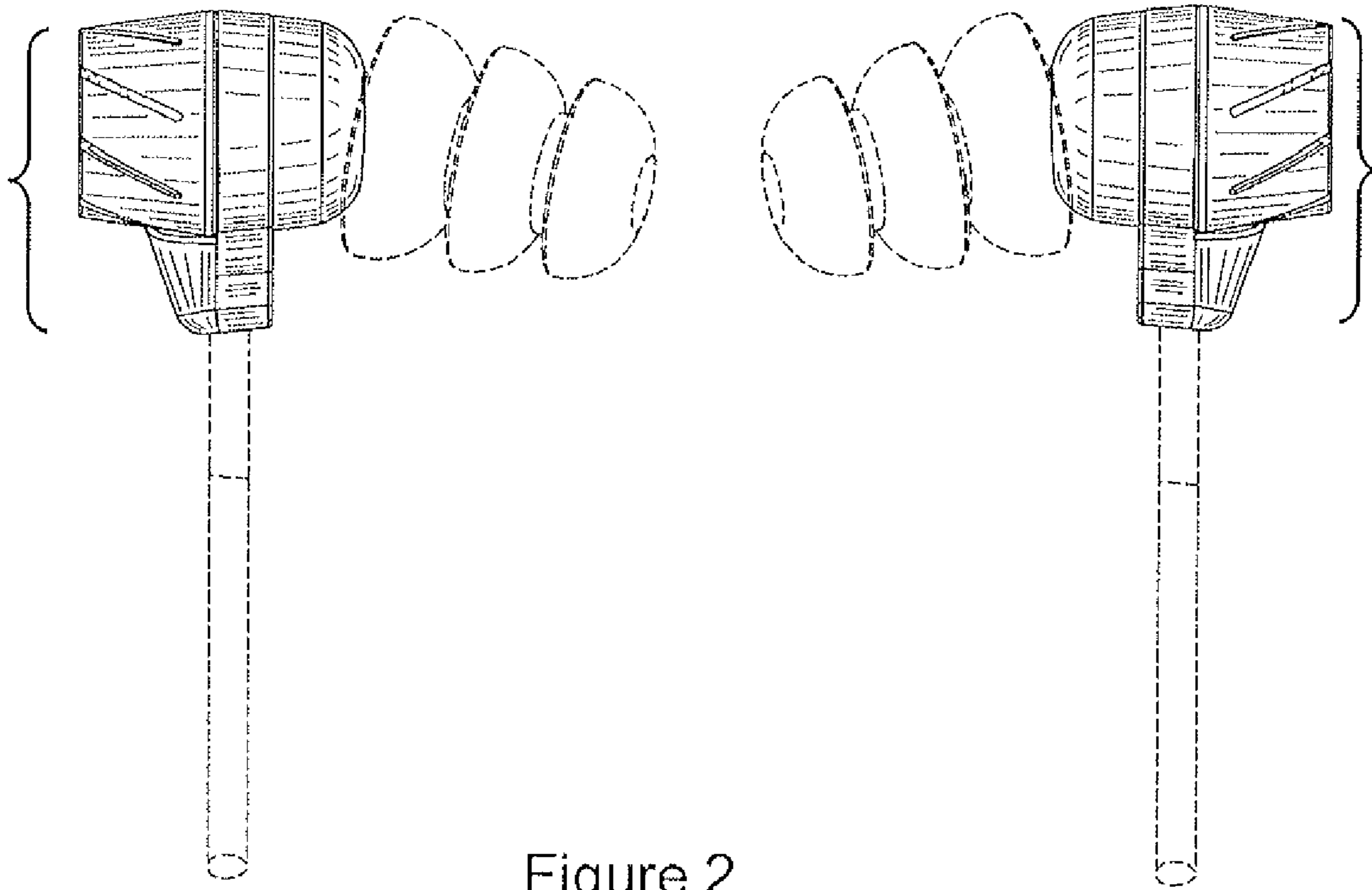


Figure 1A



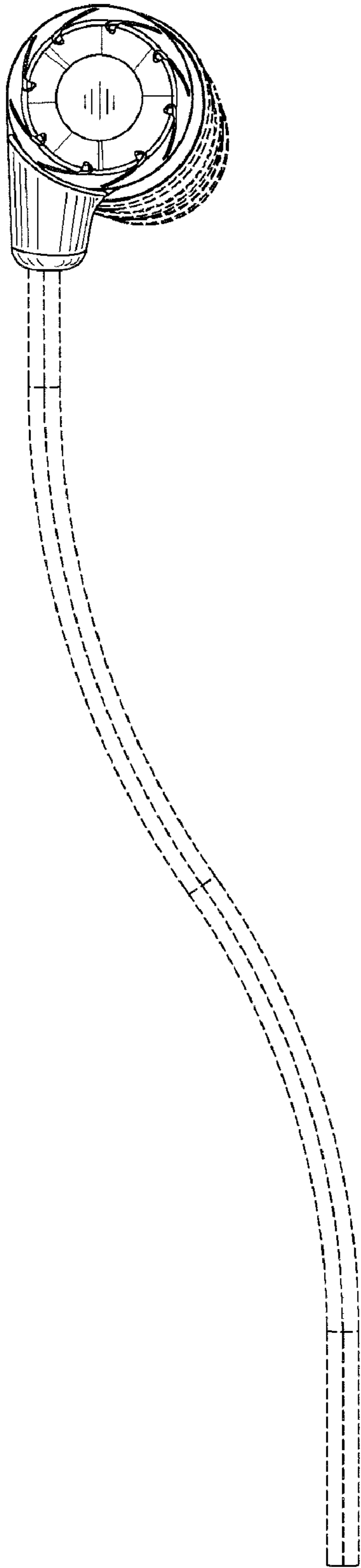


Figure 4

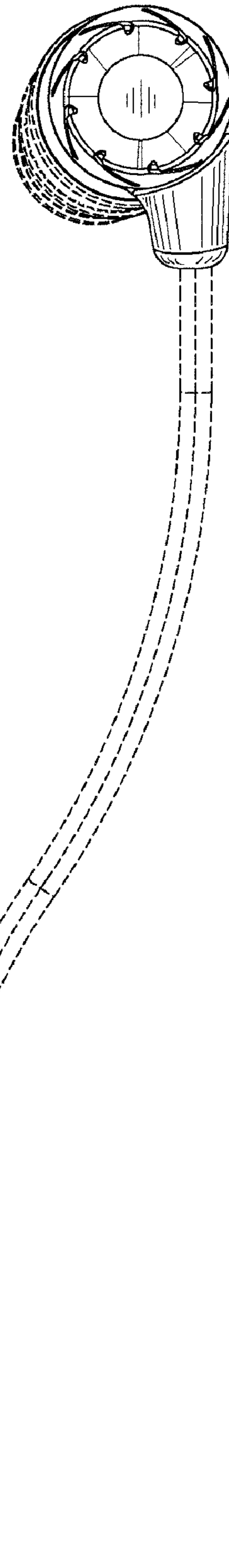


Figure 5

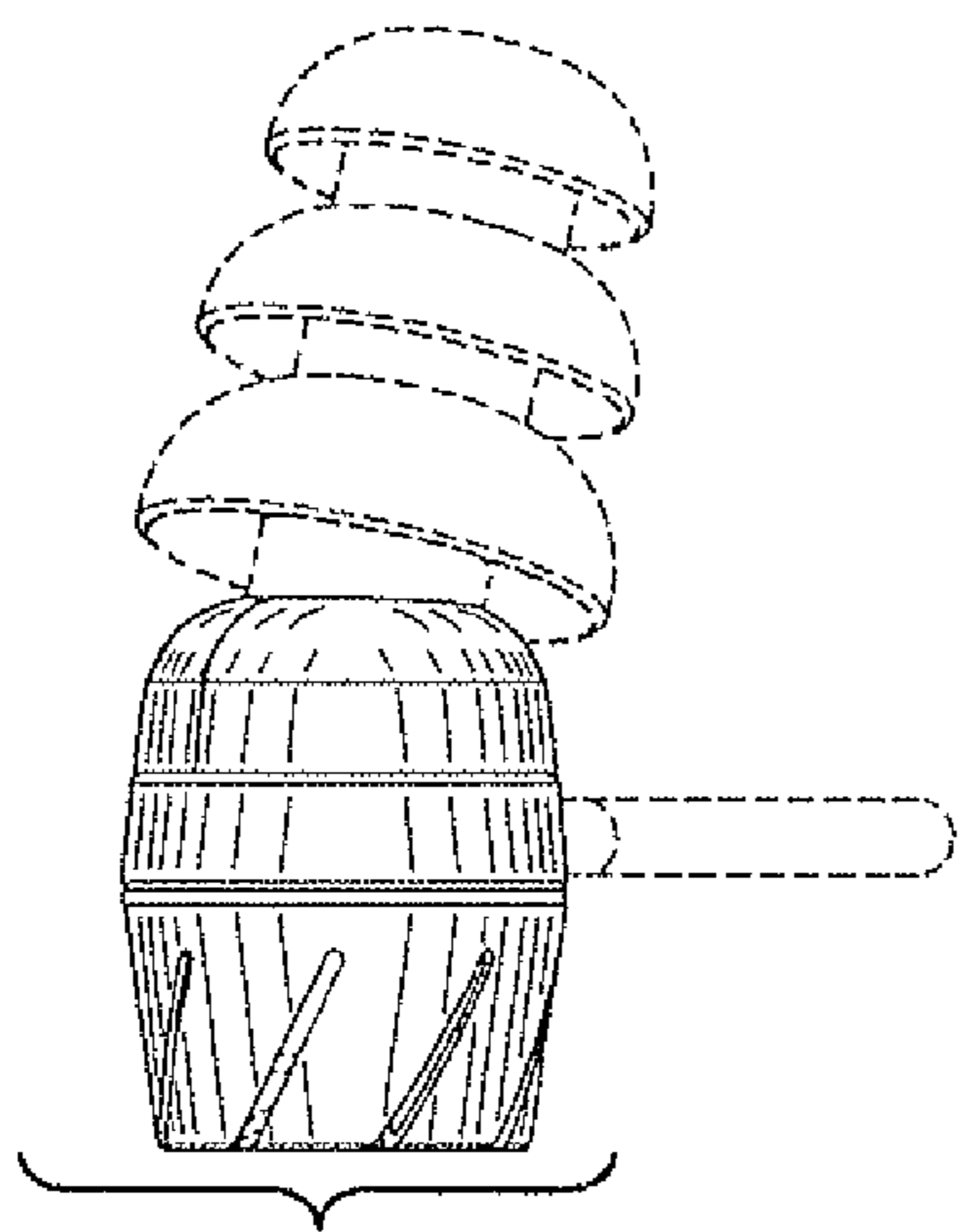
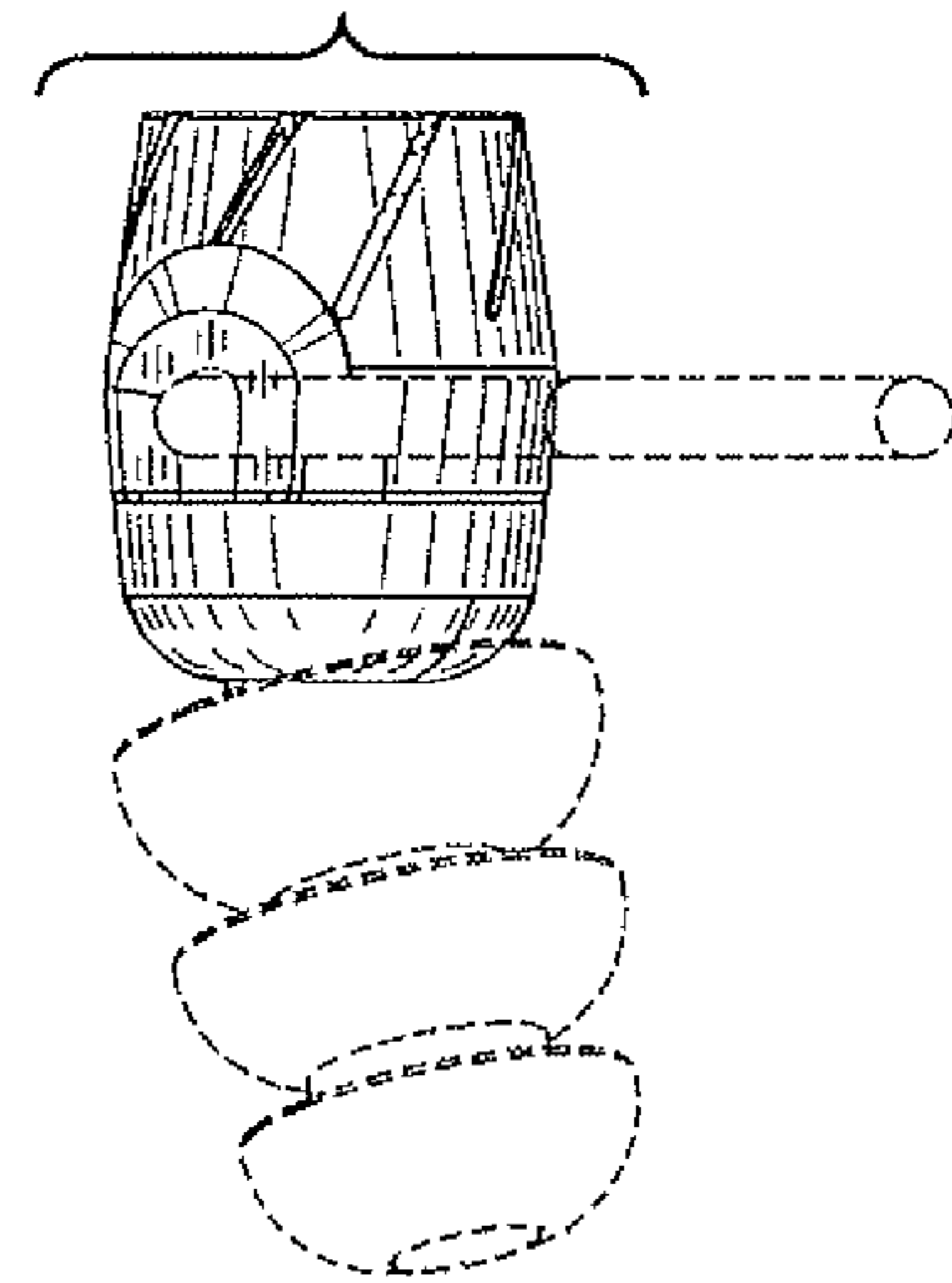
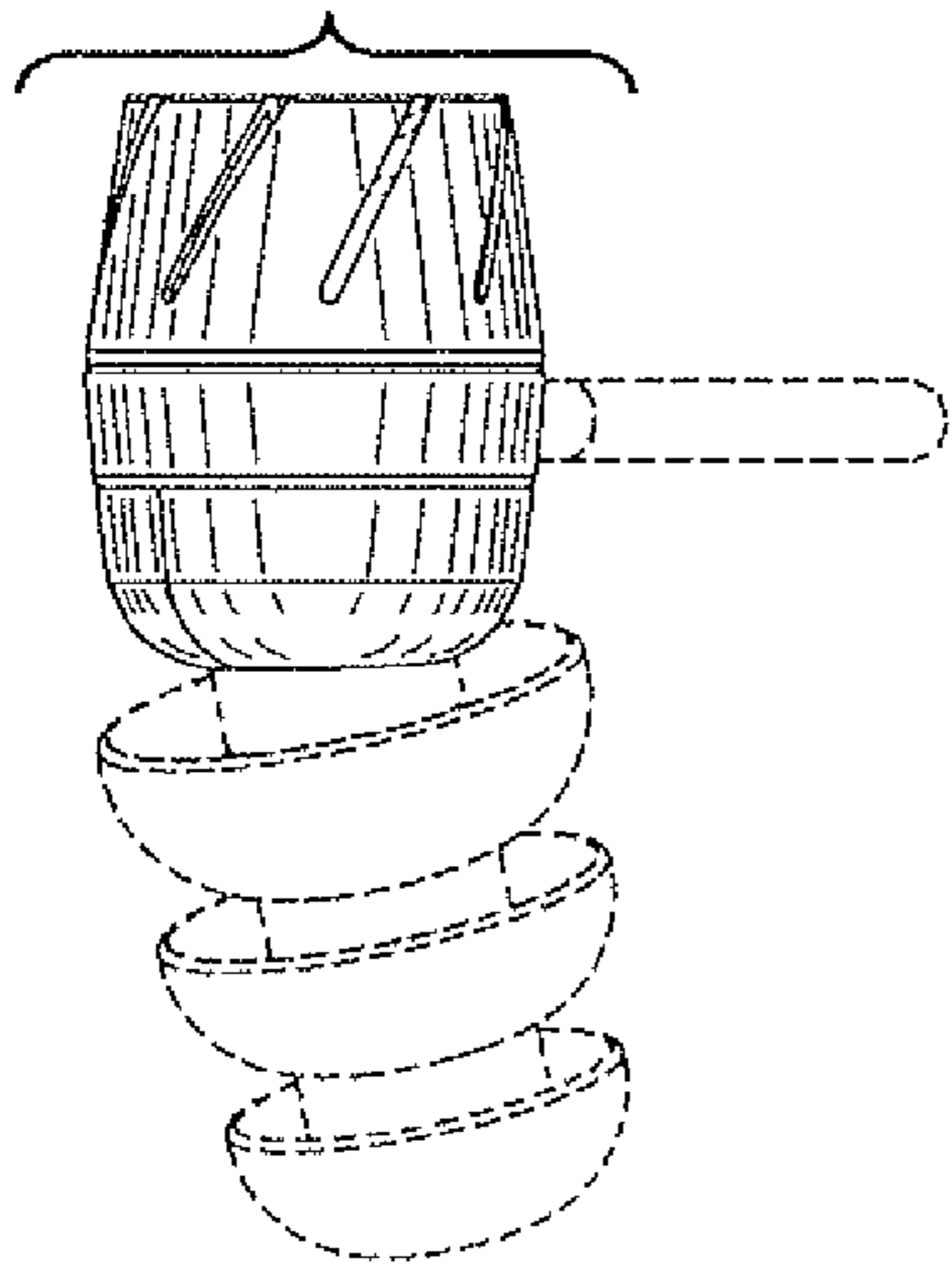


Figure 6

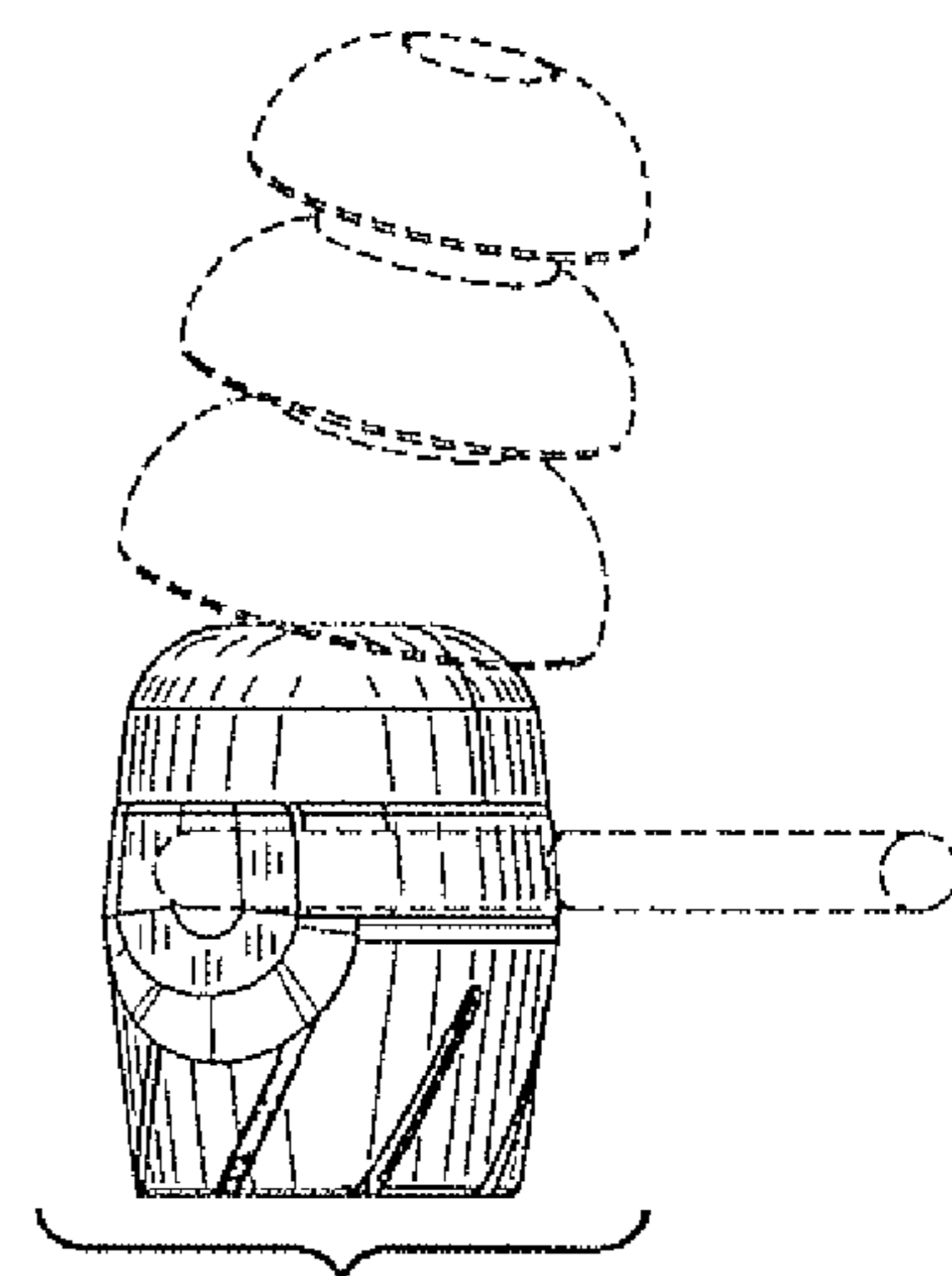


Figure 7

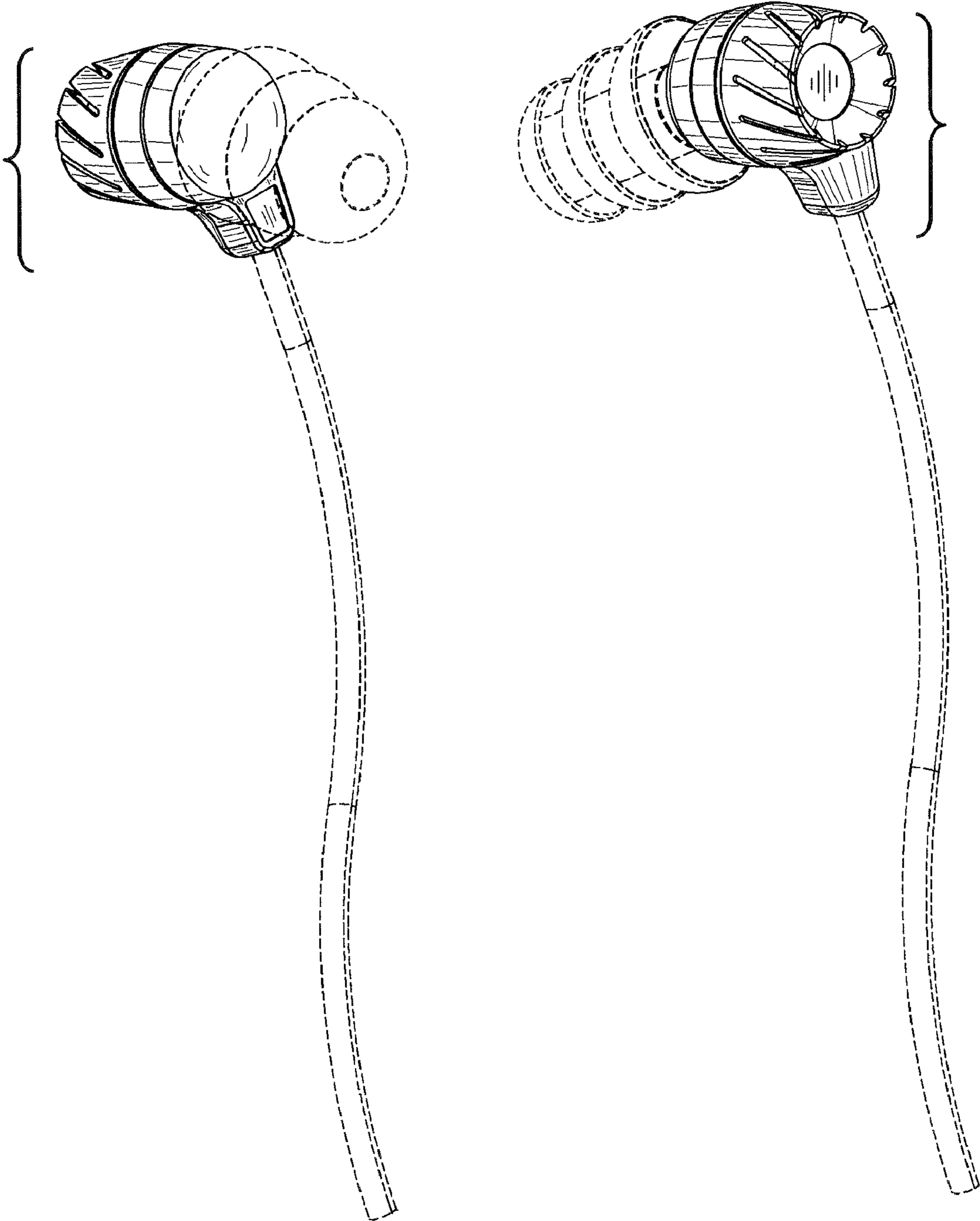


Figure 8



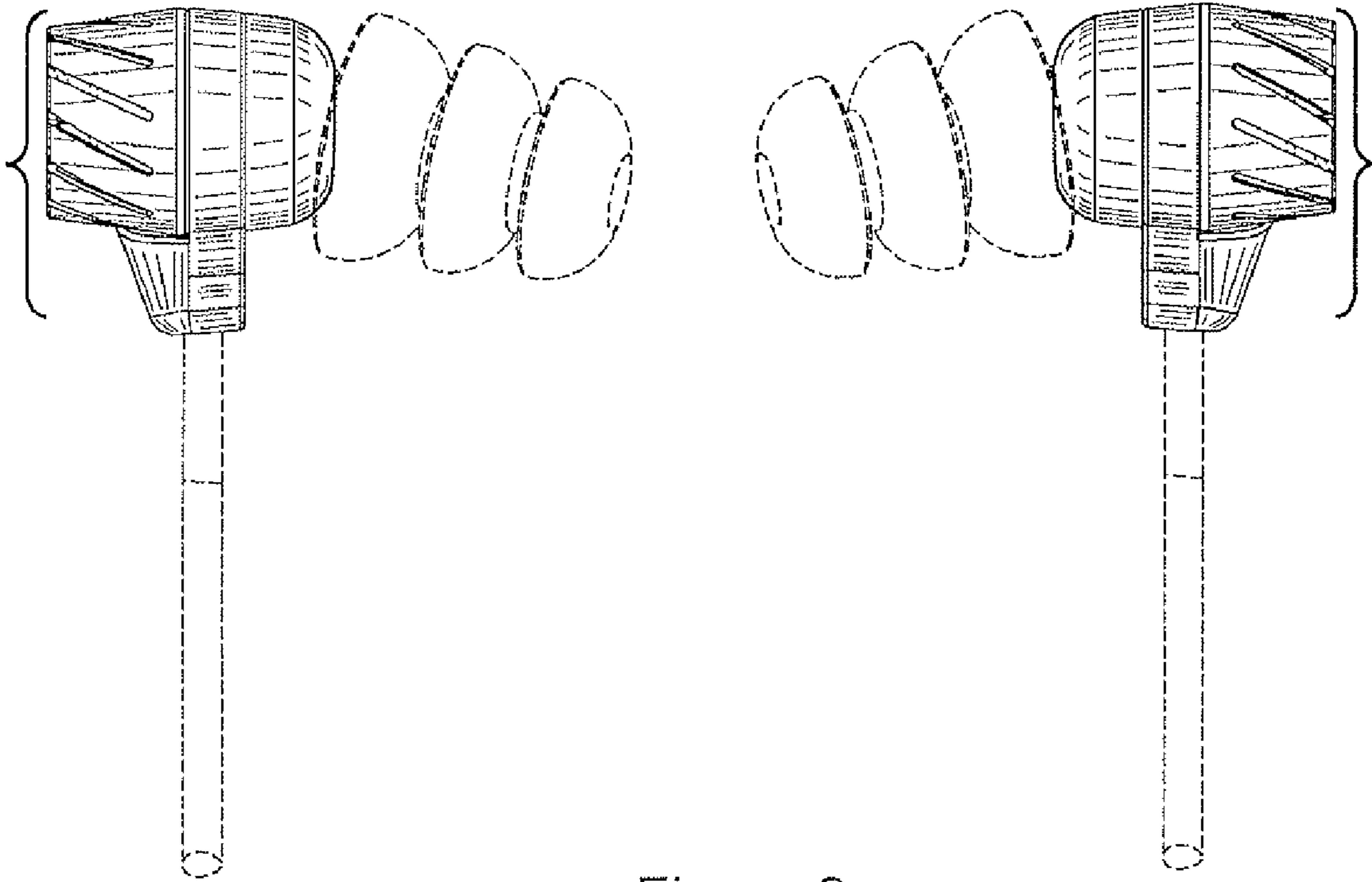


Figure 9

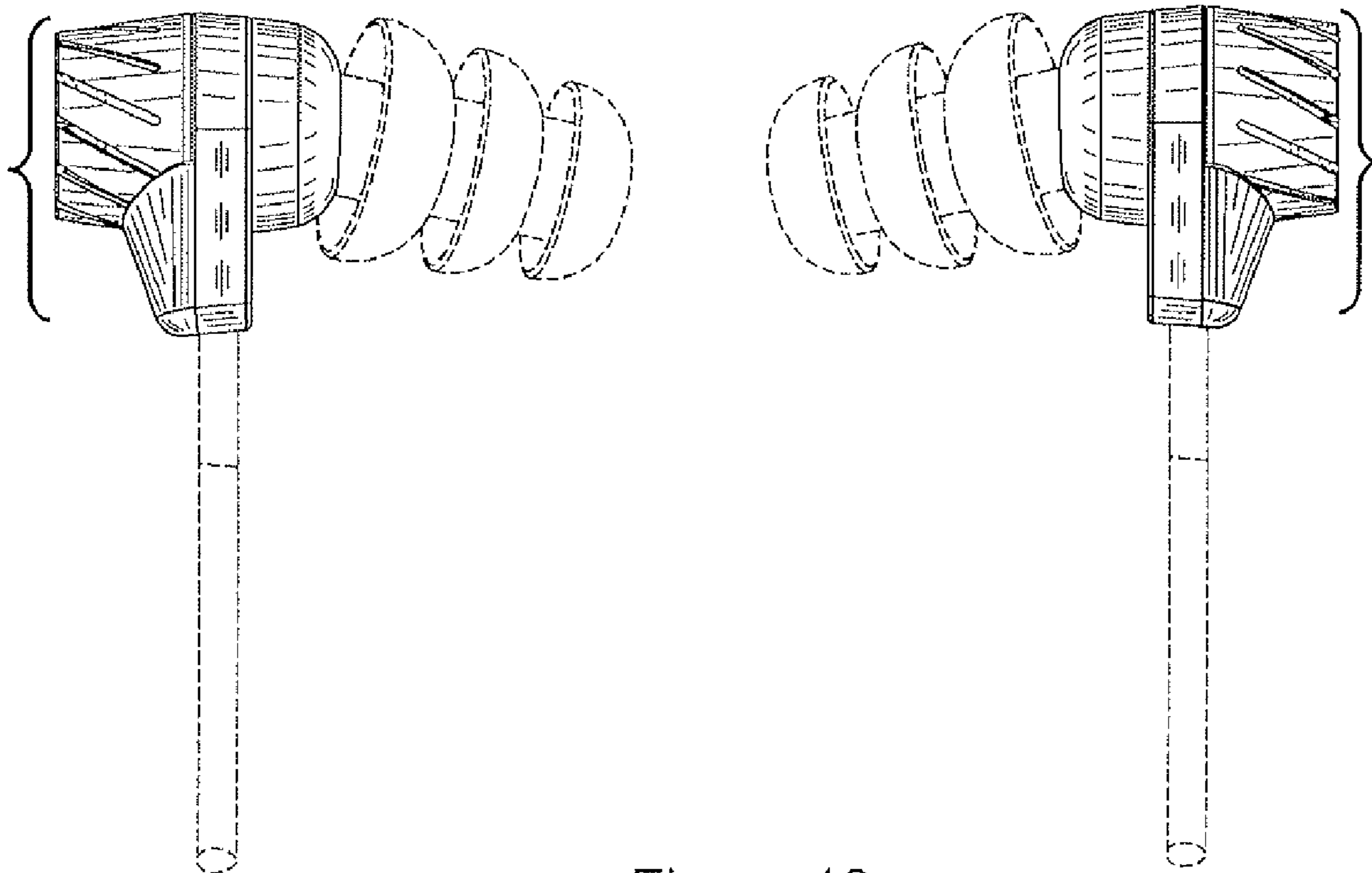


Figure 10

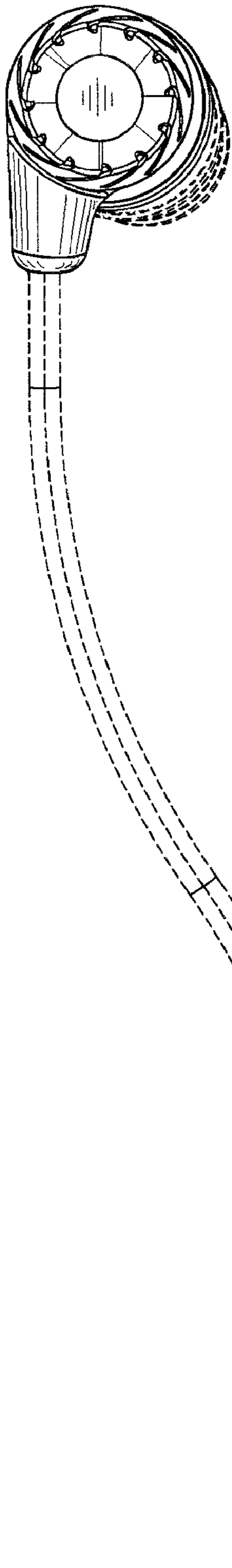


Figure 11

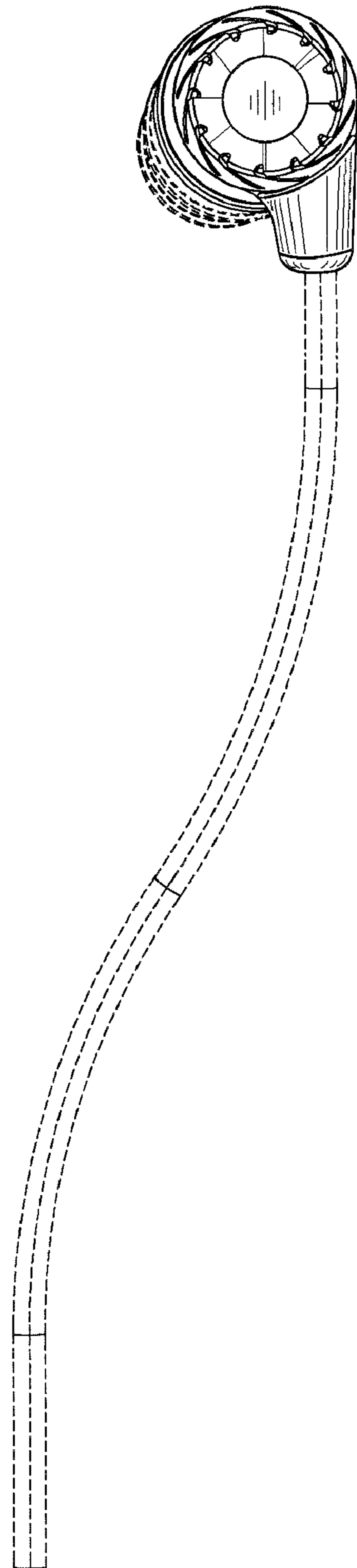


Figure 12

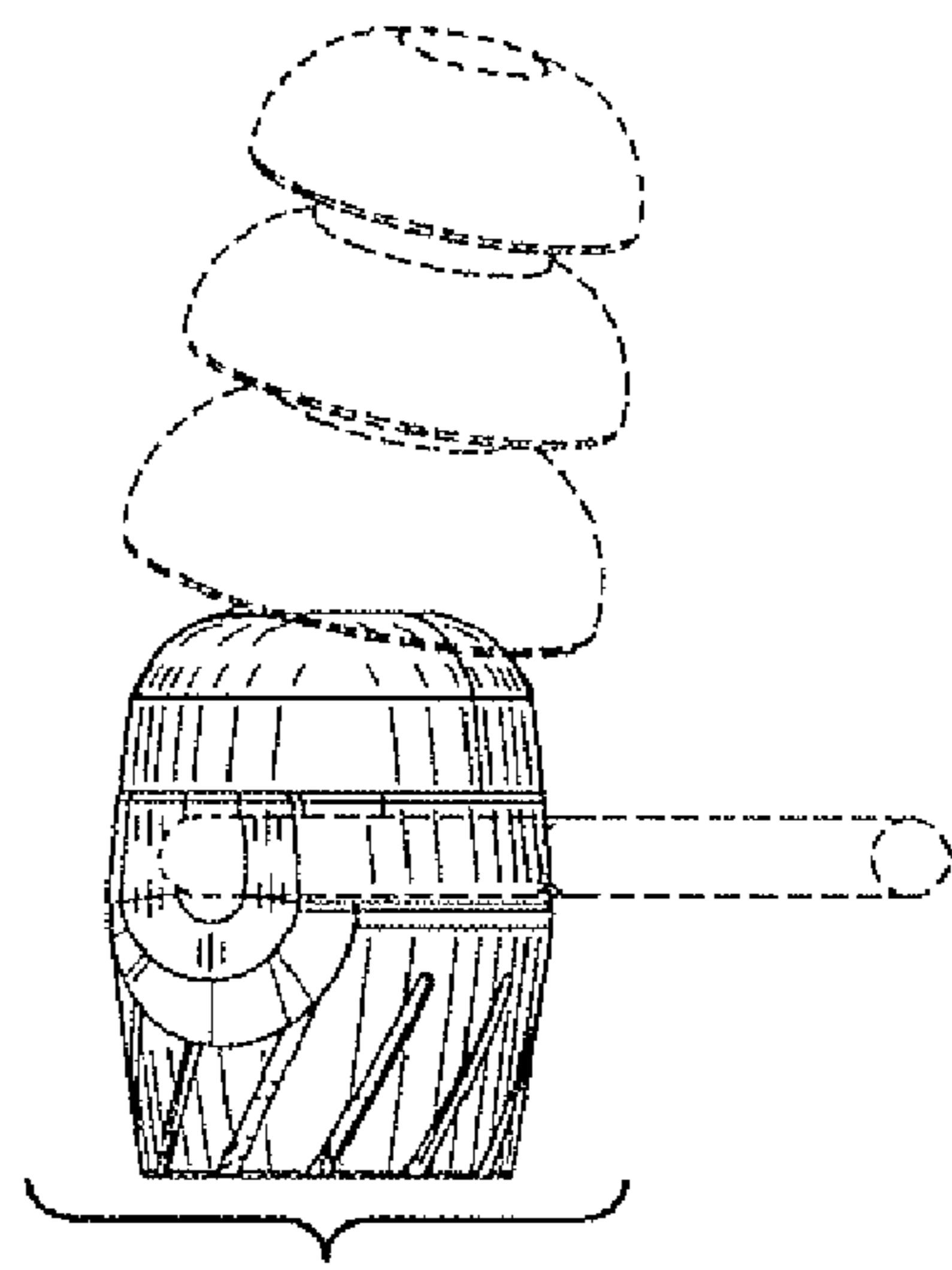
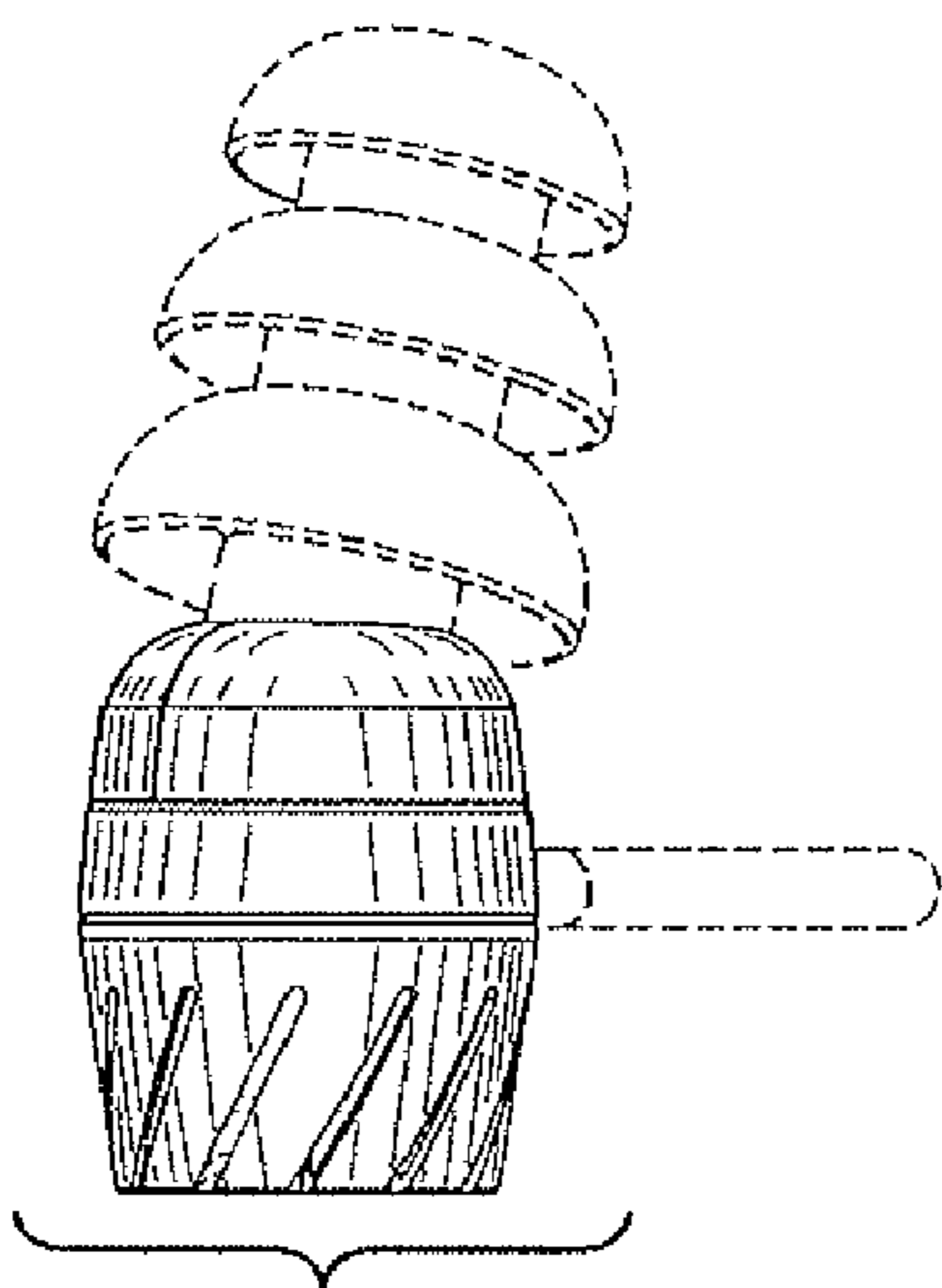
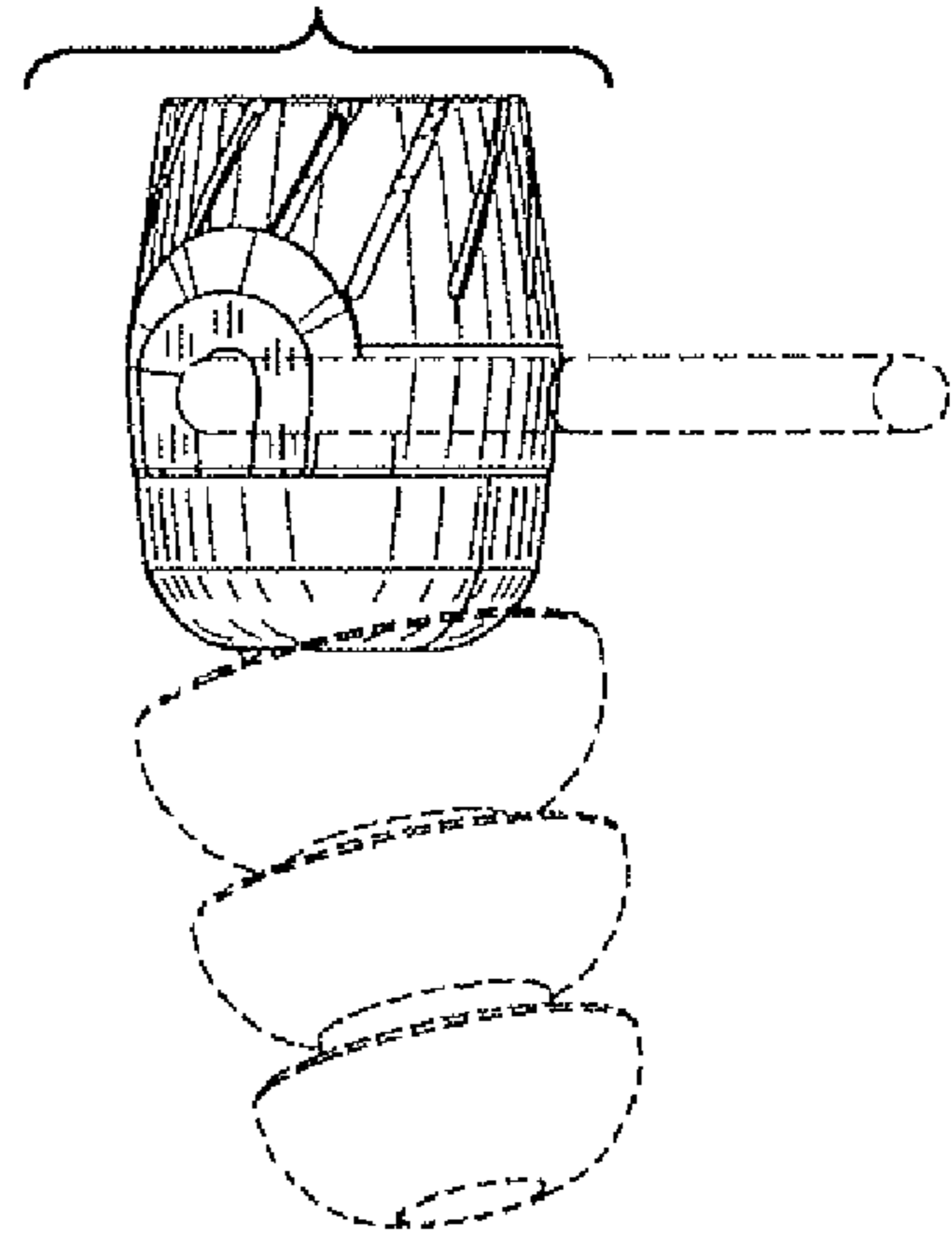
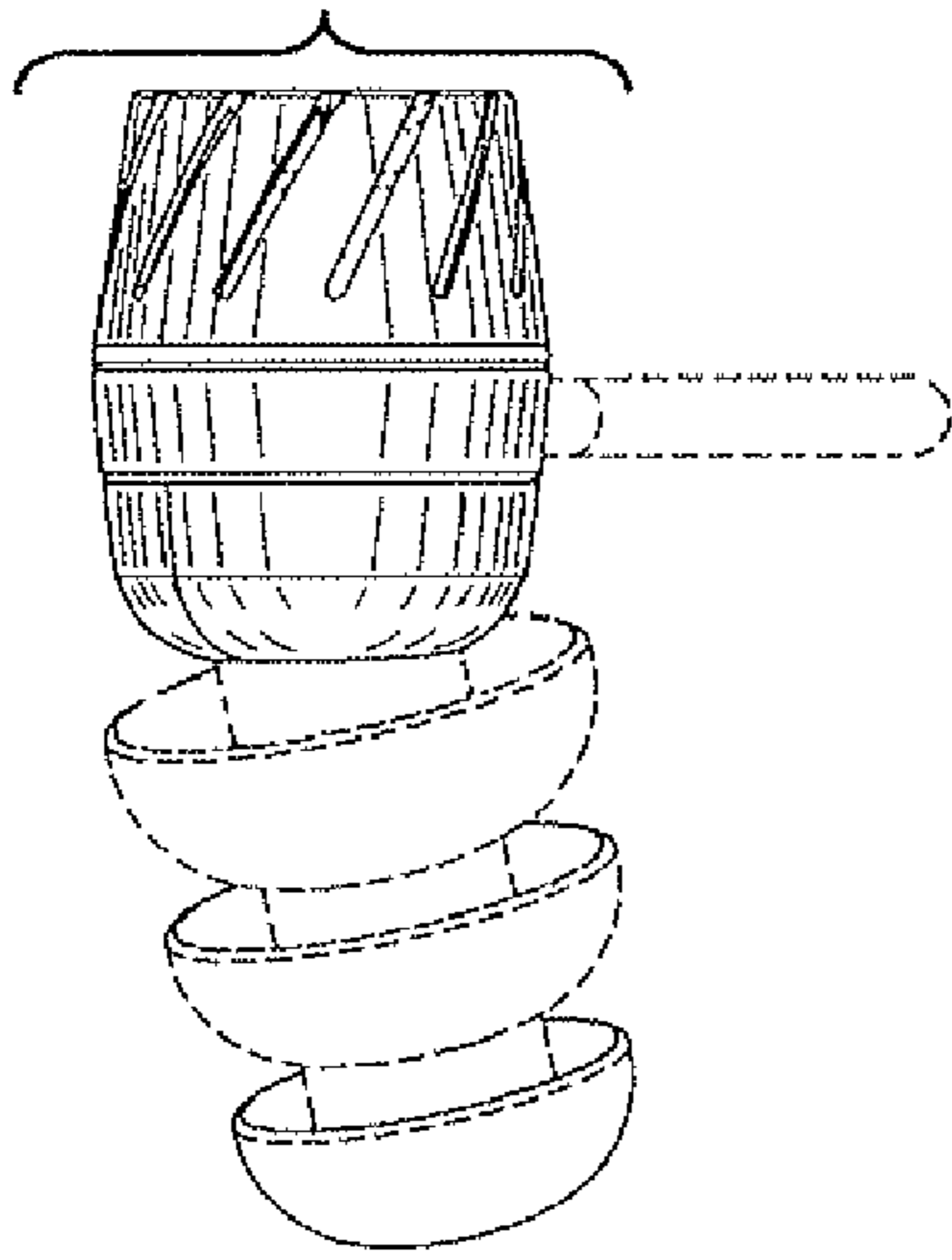


Figure 13

Figure 14

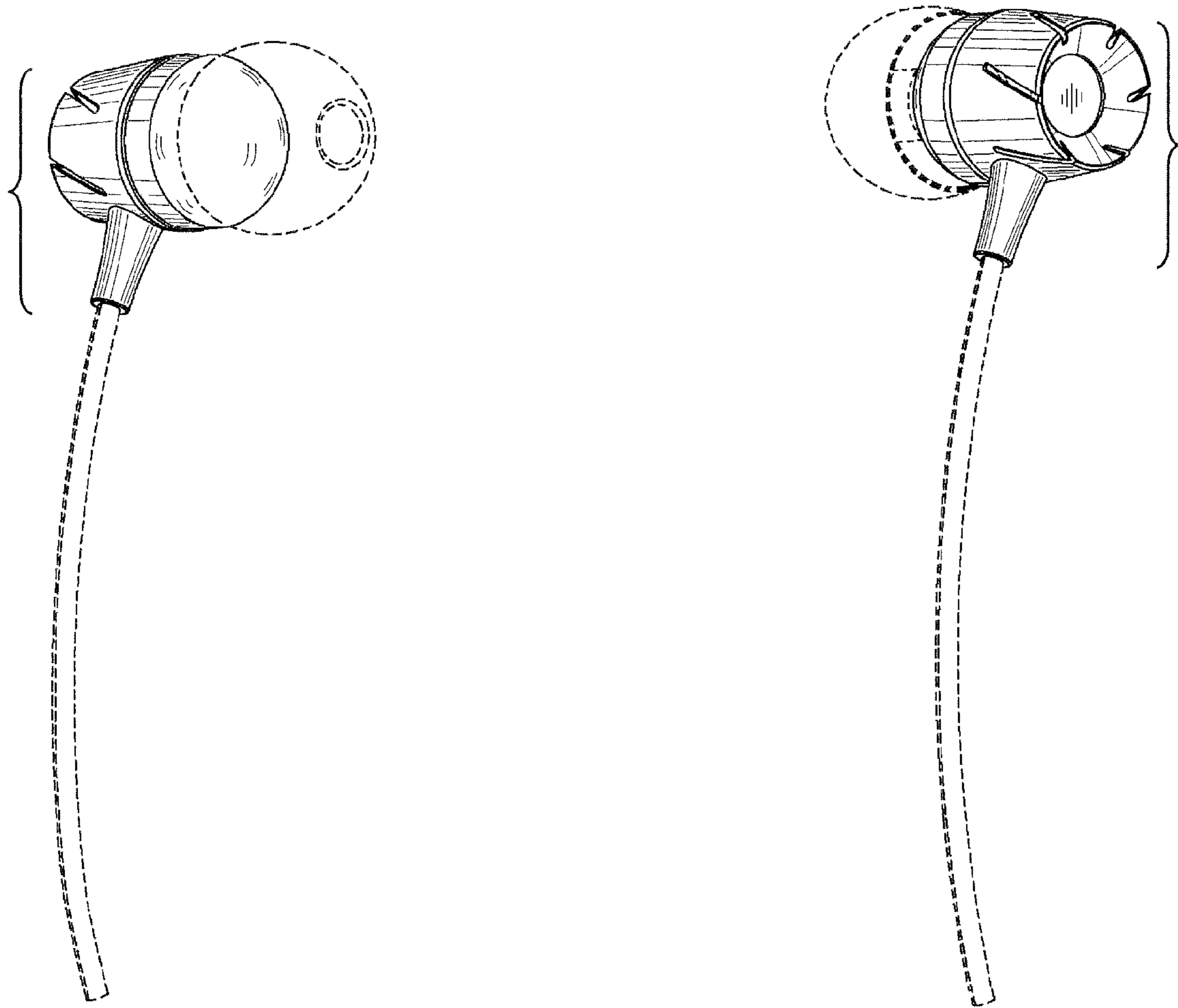


Figure 15

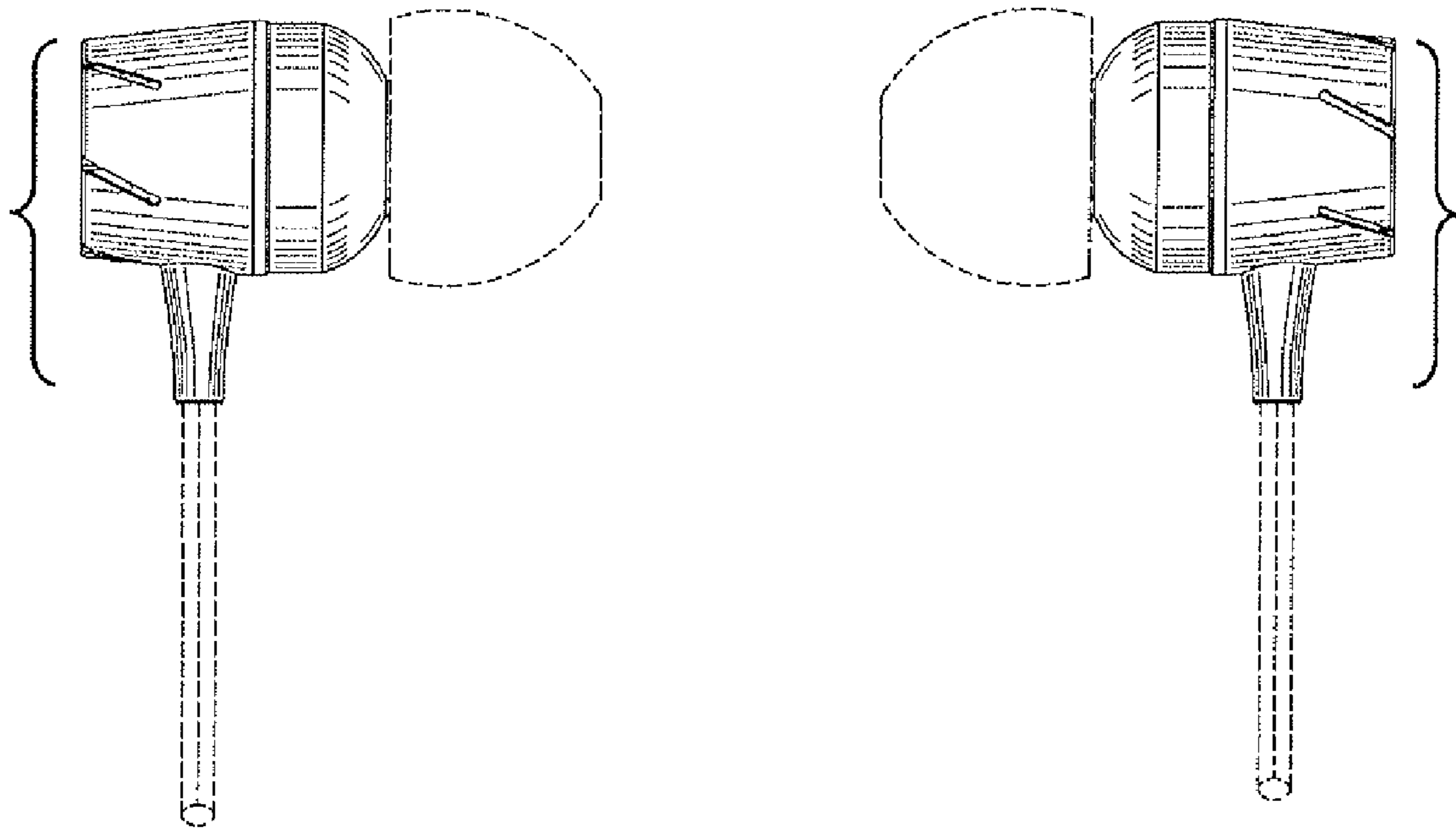


Figure 16

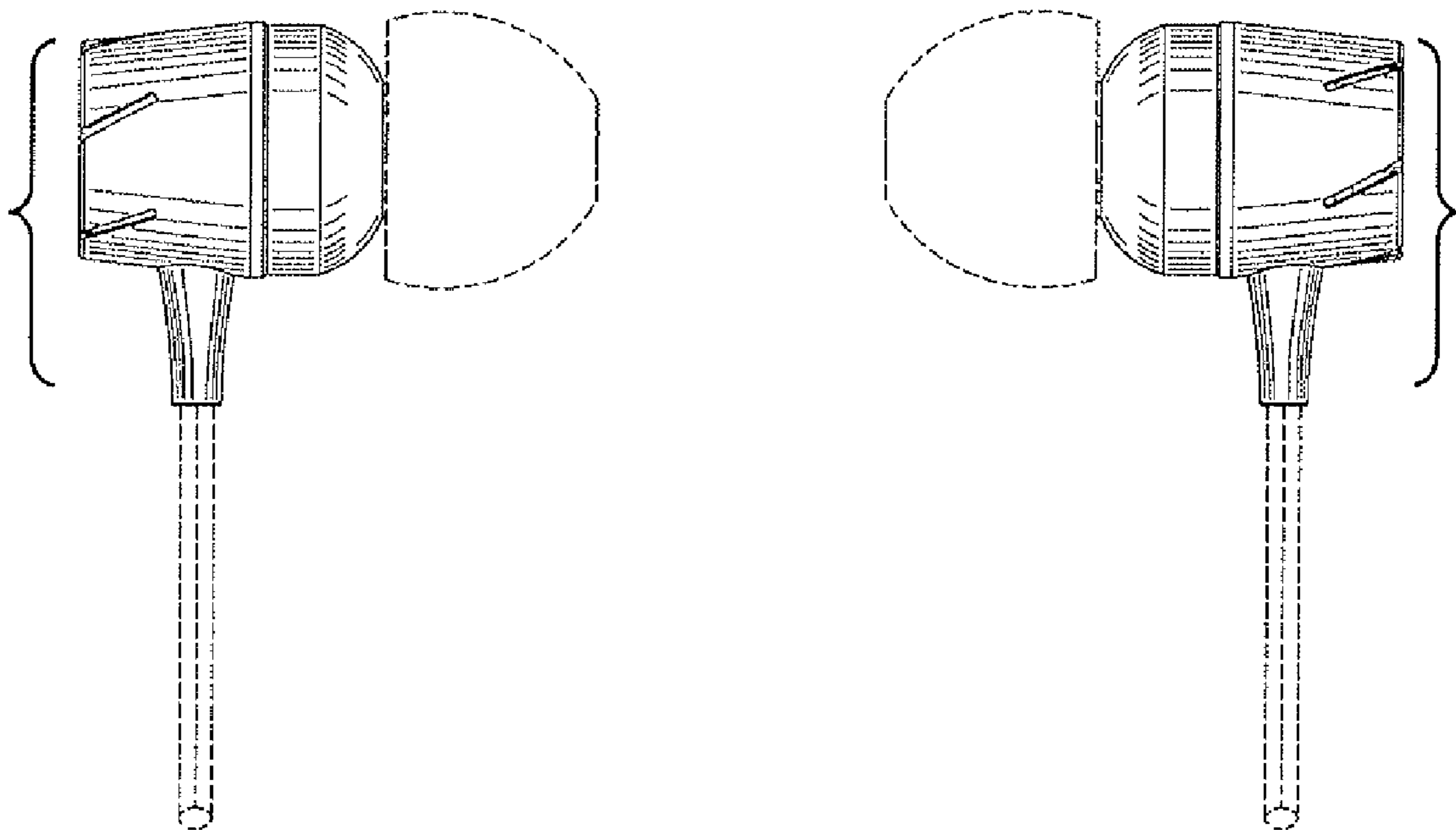


Figure 17

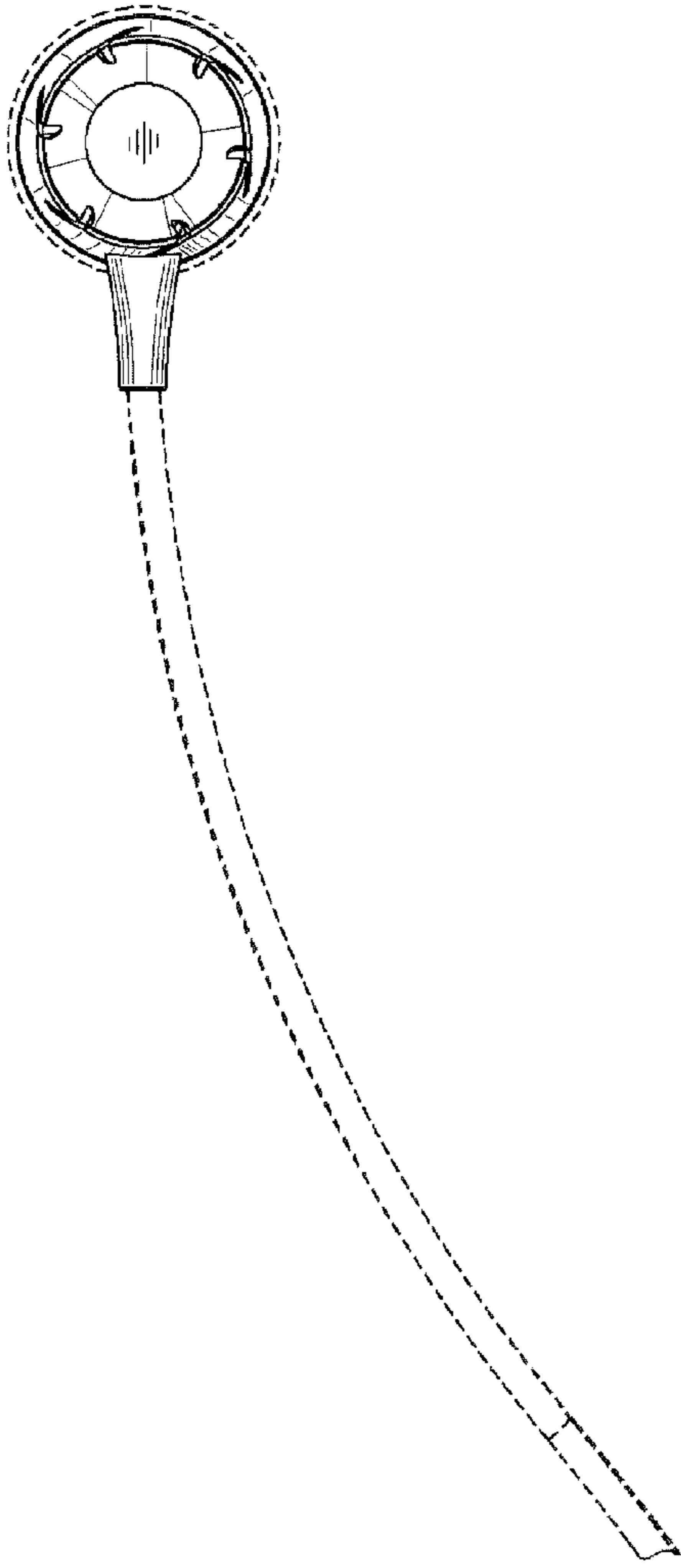


Figure 18

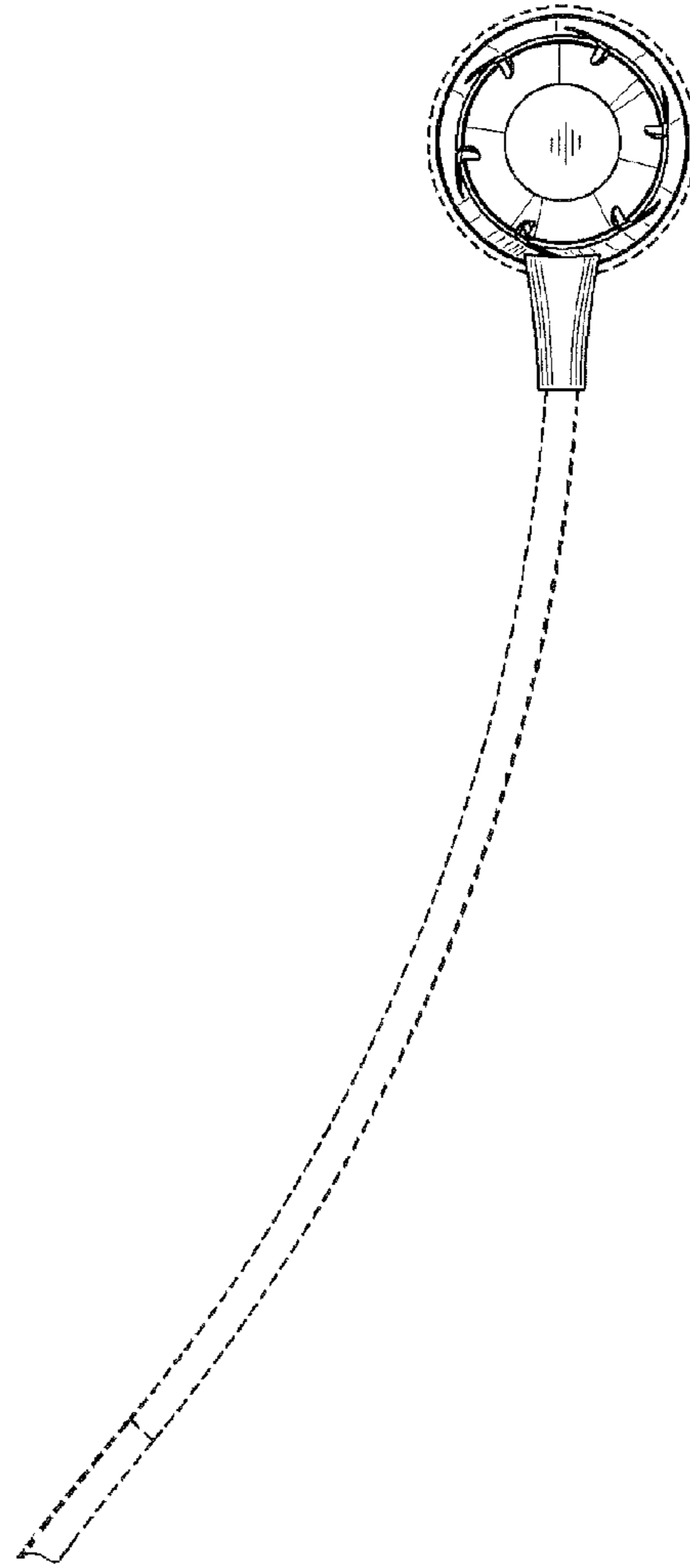


Figure 19

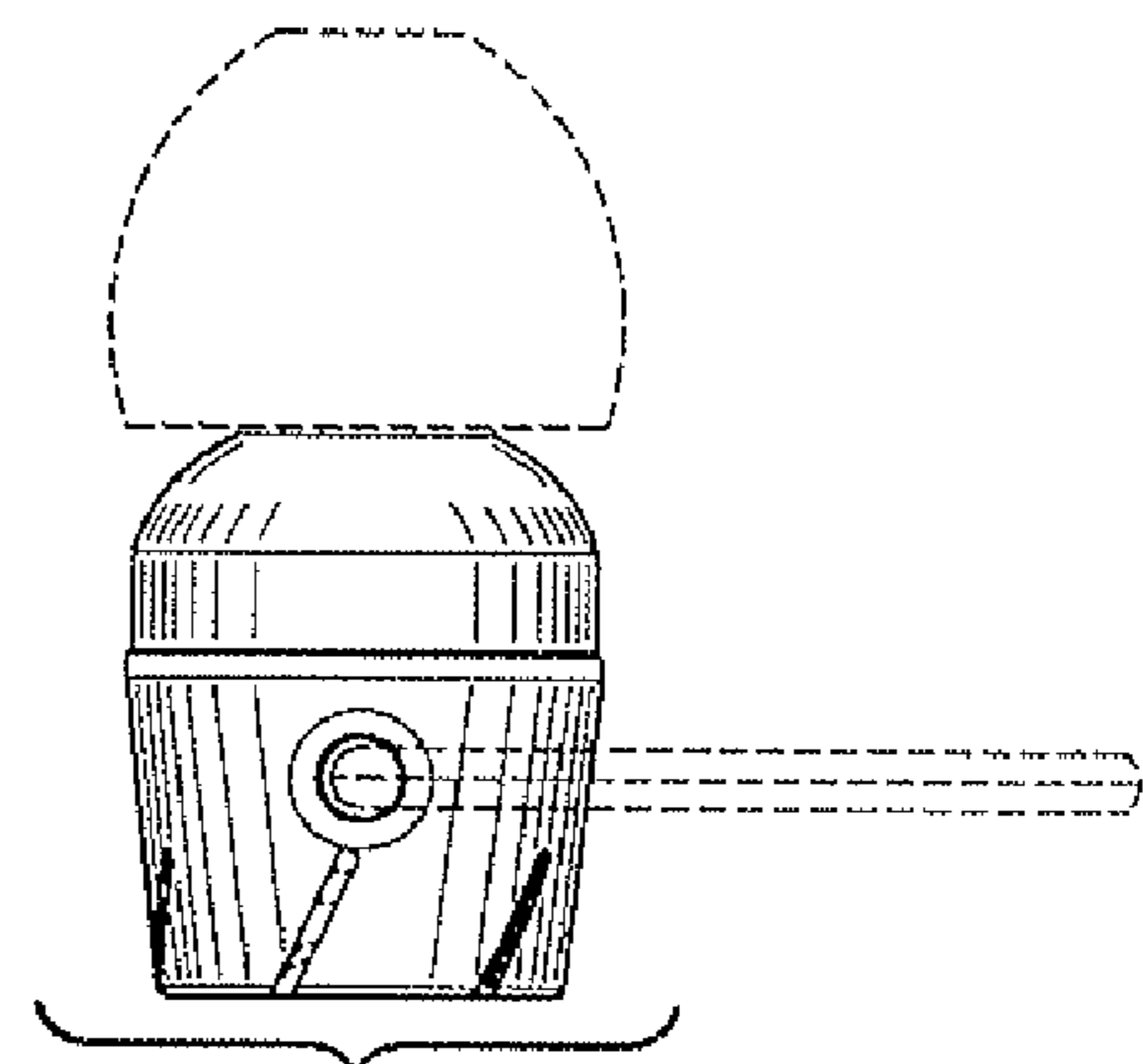
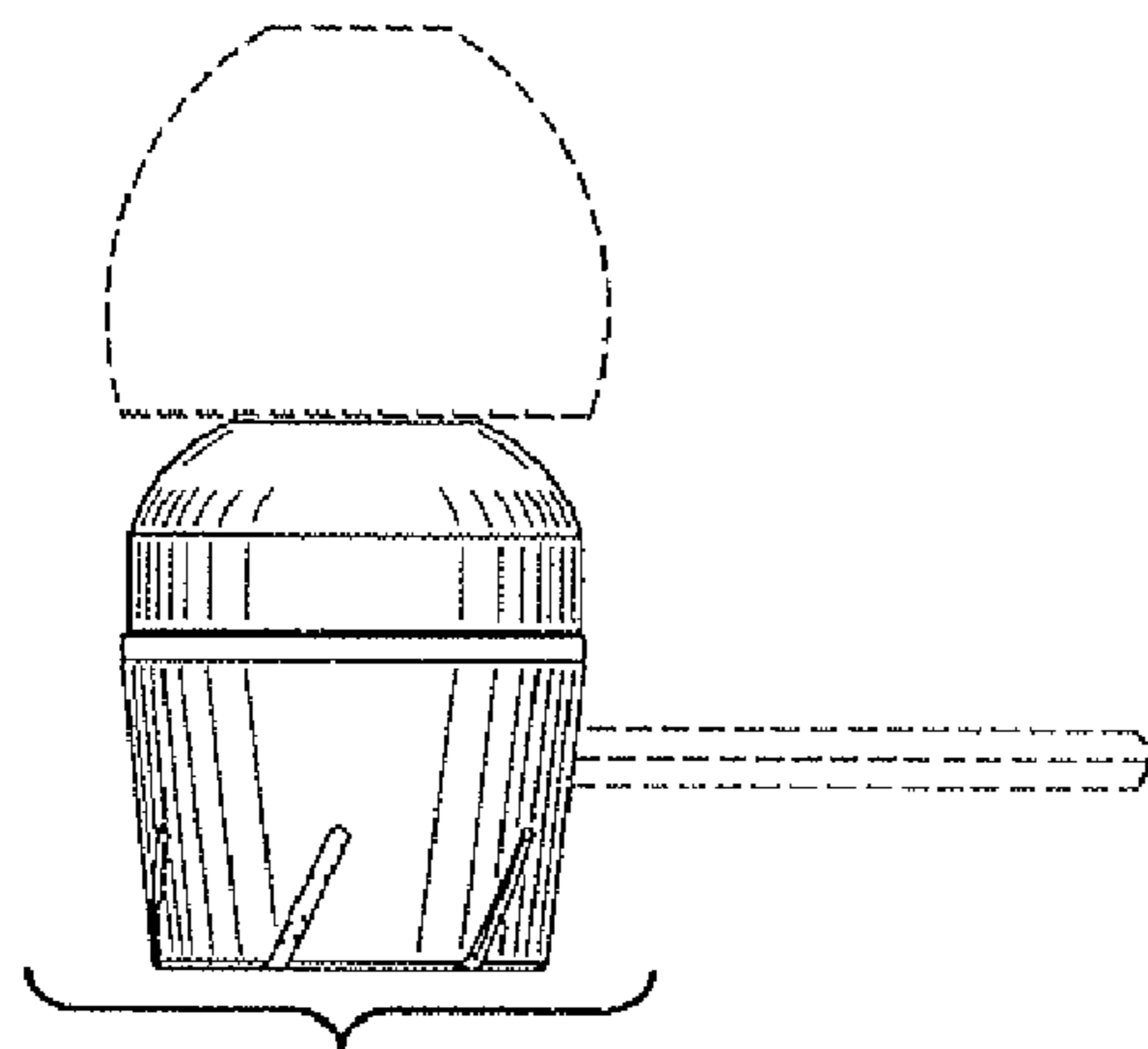
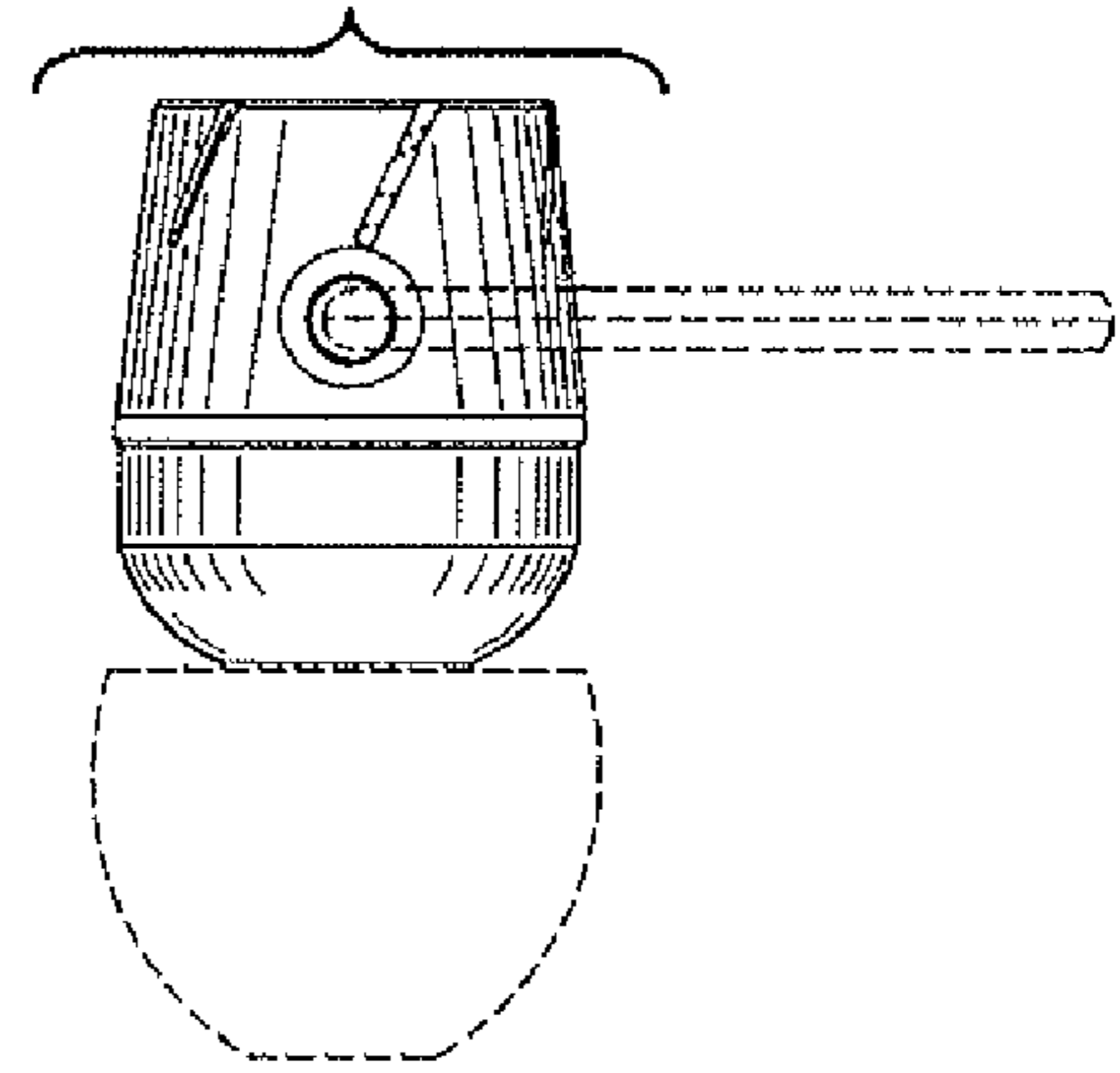
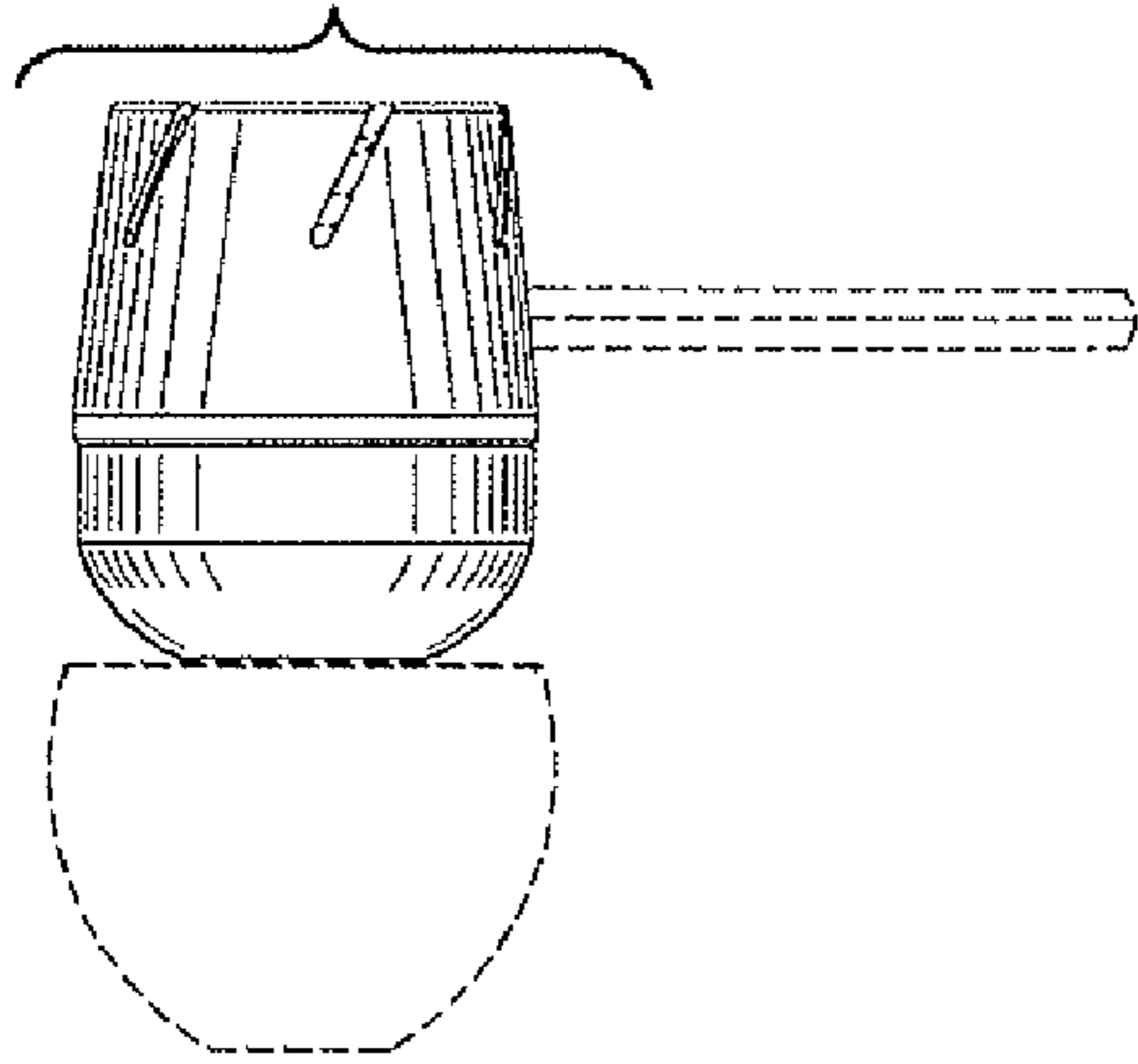


Figure 20

Figure 21