



US00D600674S

(12) **United States Design Patent**
Brennwald

(10) **Patent No.:** **US D600,674 S**

(45) **Date of Patent:** **** Sep. 22, 2009**

(54) **HEADPHONE**

D549,688 S * 8/2007 Suzuki D14/205
D563,382 S * 3/2008 Wikel D14/205

(75) Inventor: **Joerg Brennwald, Kiel (DE)**

FOREIGN PATENT DOCUMENTS

(73) Assignee: **Sennheiser electronic GmbH & Co. KG, Wedemark (DE)**

DE D 4 01 07 679.2 1/2002
DE D 4 03 07 573.4 12/2003
DE D 4 04 01 716.9 4/2004
DE D 4 05 04 651.0 9/2005

(**) Term: **14 Years**

* cited by examiner

(21) Appl. No.: **29/282,343**

Primary Examiner—Paula Greene

(22) Filed: **Jul. 17, 2007**

(74) *Attorney, Agent, or Firm*—Reed Smith LLP

(30) **Foreign Application Priority Data**

Jan. 26, 2007 (DE) 4 07 00 480

(57) **CLAIM**

(51) **LOC (9) Cl.** **14-01**

(52) **U.S. Cl.** **D14/205**

(58) **Field of Classification Search** D14/205,
D14/206, 223; D29/112; 2/209, 410, 423;
181/129, 130; 381/370, 371, 374, 376, 377,
381/378, 379; 379/430, 433.01, 440; D21/483;
455/565, 575.2

An ornamental design for a headphone, as shown and described.

See application file for complete search history.

DESCRIPTION

(56) **References Cited**

U.S. PATENT DOCUMENTS

3,454,964 A * 7/1969 Brinkhoff 2/209
5,793,878 A * 8/1998 Chang 381/370
D422,592 S * 4/2000 Deguchi D14/205
D435,249 S * 12/2000 Yasutomi D14/205
D457,512 S * 5/2002 Yoneda D14/205
D491,163 S * 6/2004 Green D14/205
D497,608 S * 10/2004 Birgersson D14/205
D514,087 S * 1/2006 Wilson et al. D14/206
D519,497 S * 4/2006 Komiyama D14/223
D532,407 S * 11/2006 Motoishi D14/205
D541,255 S * 4/2007 Taylor et al. D14/205

FIG. 1 illustrates a front view of a headphone in accordance with the invention;

FIG. 2 illustrates a rear view of a headphone in accordance with the invention;

FIG. 3 illustrates a left side view of a headphone in accordance with the invention;

FIG. 4 illustrates a right view of a headphone in accordance with the invention;

FIG. 5 illustrates a bottom view of a headphone in accordance with the invention; and,

FIG. 6 illustrates a top view of a headphone in accordance with the invention.

The broken lines of the inner ear portion are directed to environment and are for illustrative purposes only; the broken lines form no part of the claimed design.

1 Claim, 4 Drawing Sheets

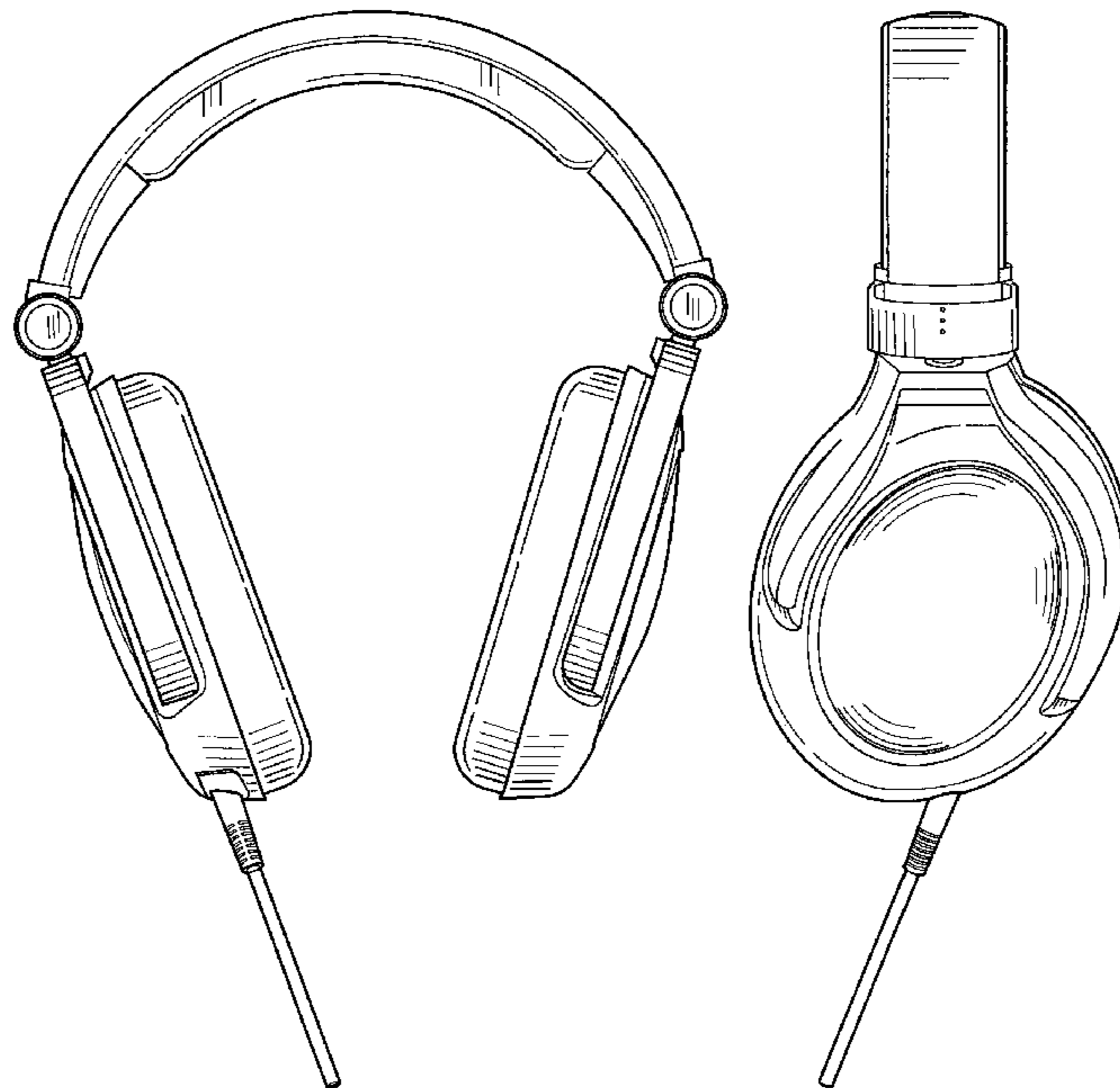


FIG. 1

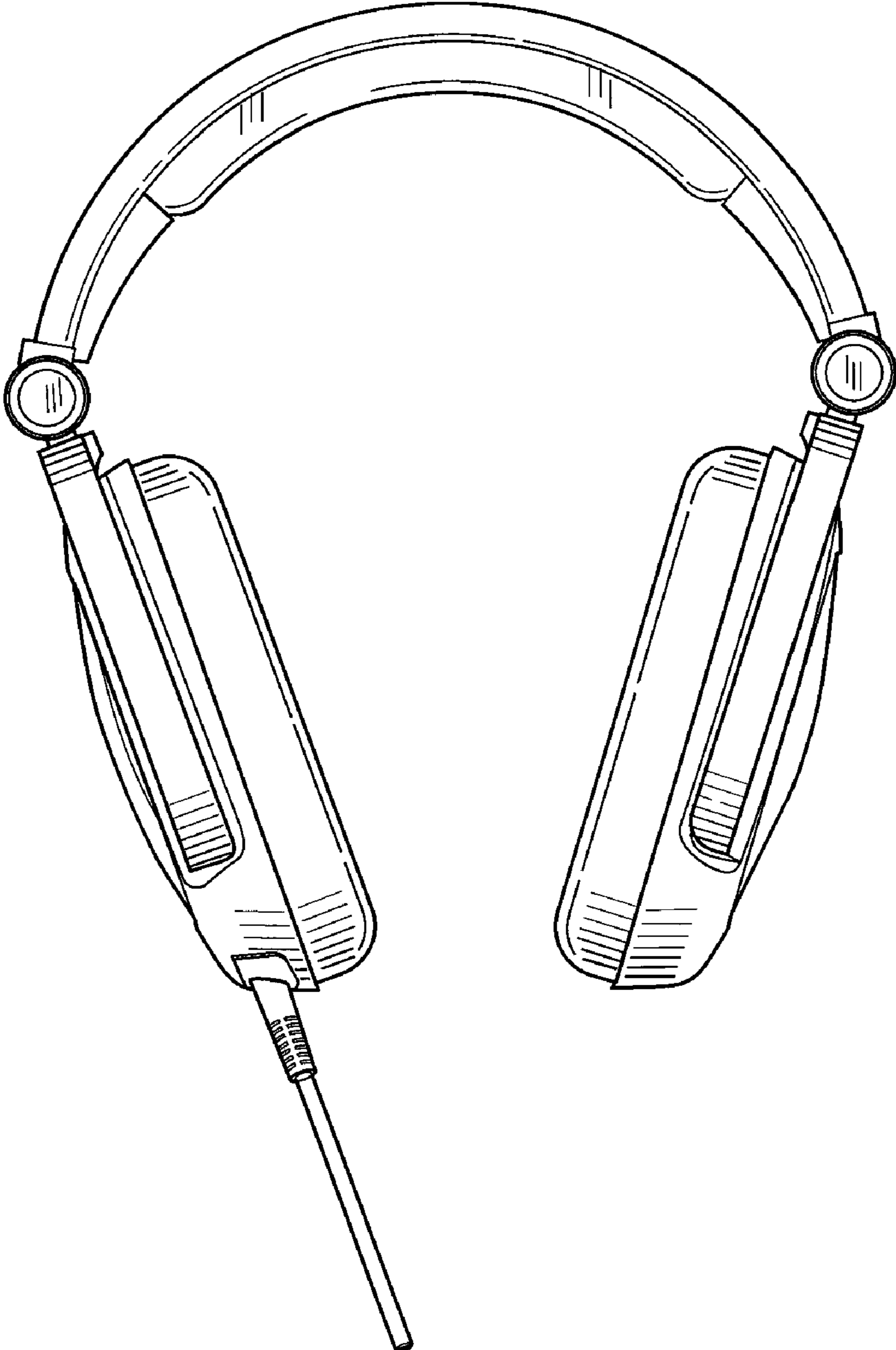


FIG. 2

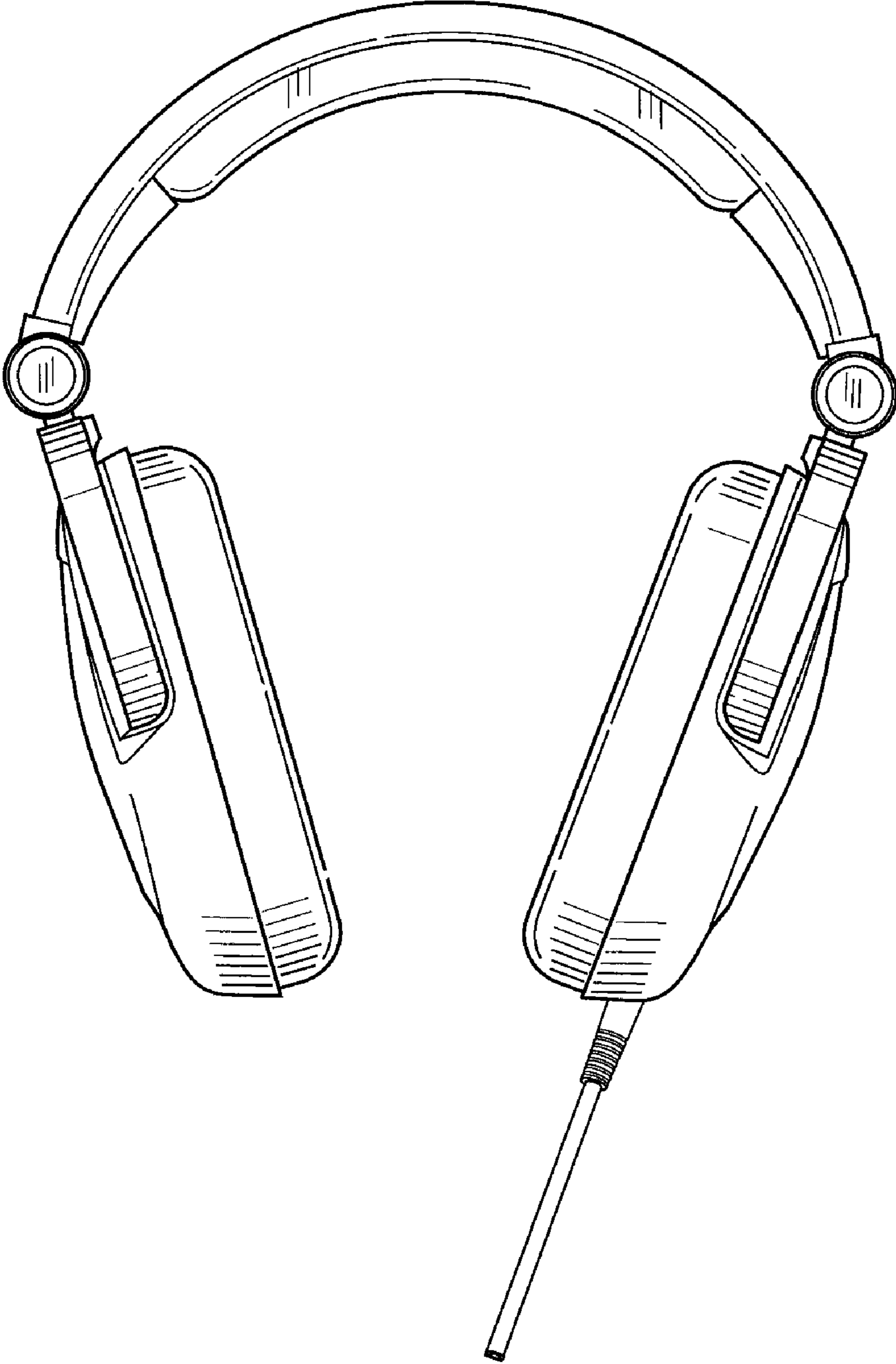


FIG. 3

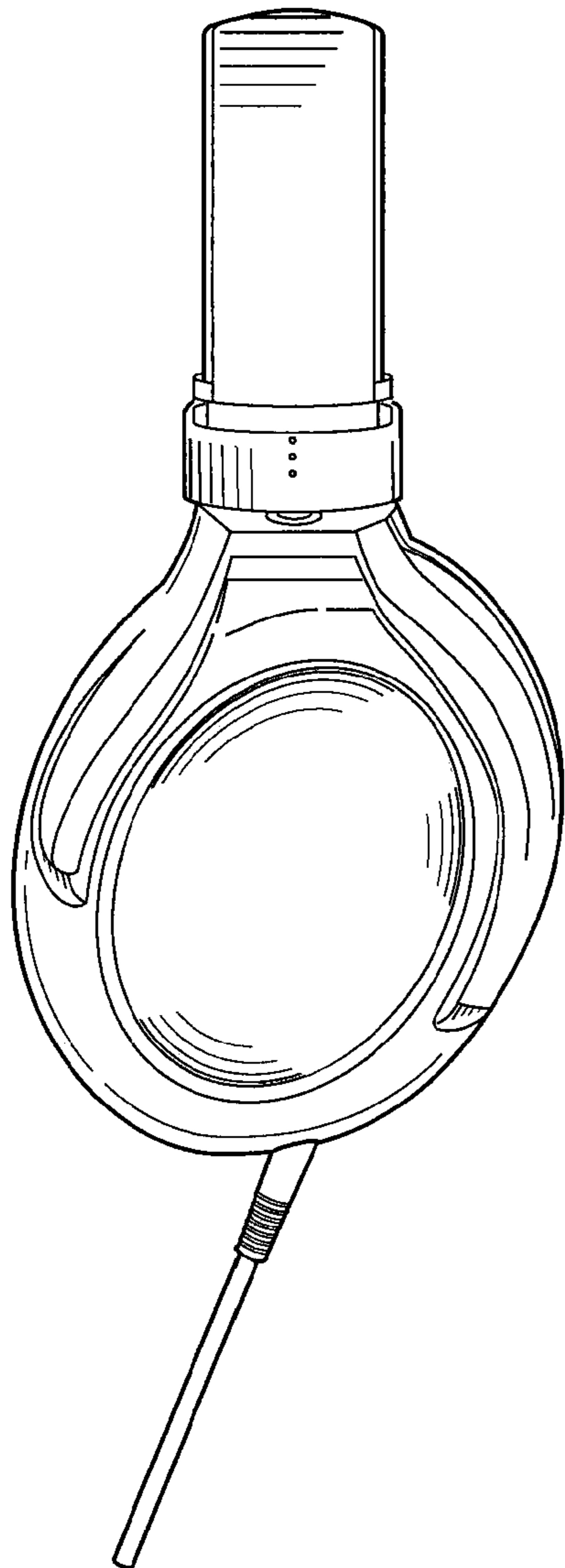


FIG. 4

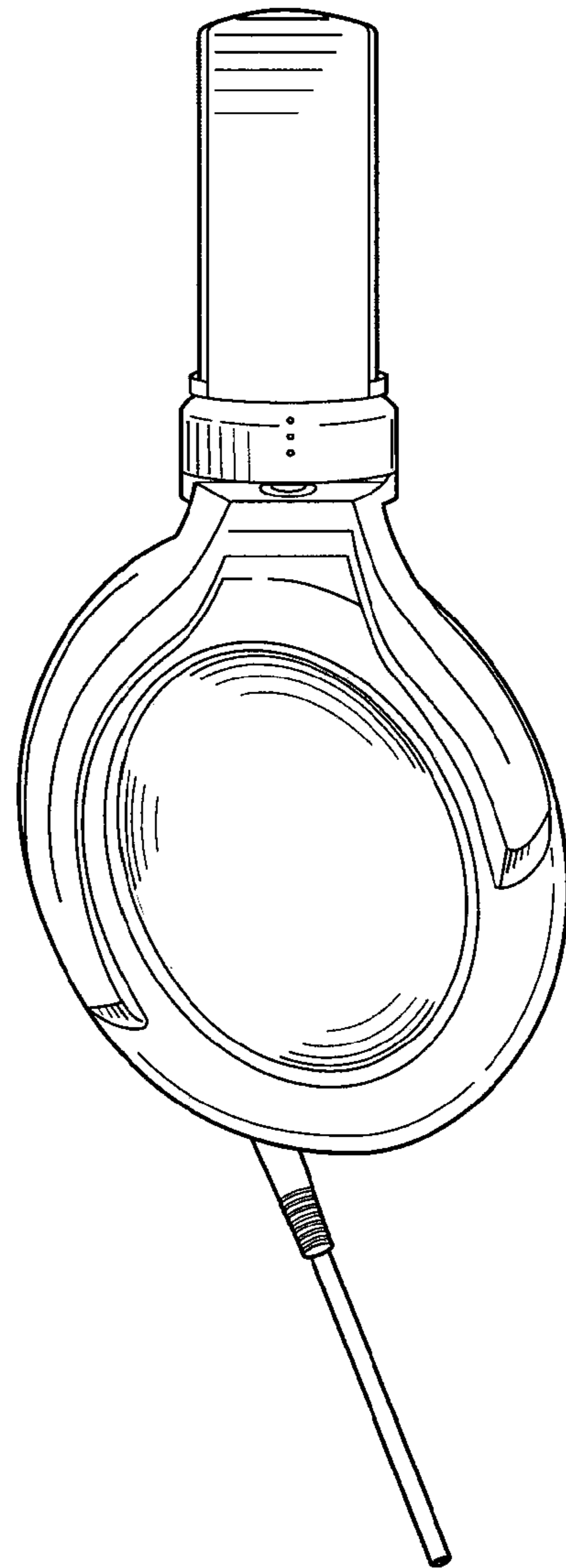


FIG. 5

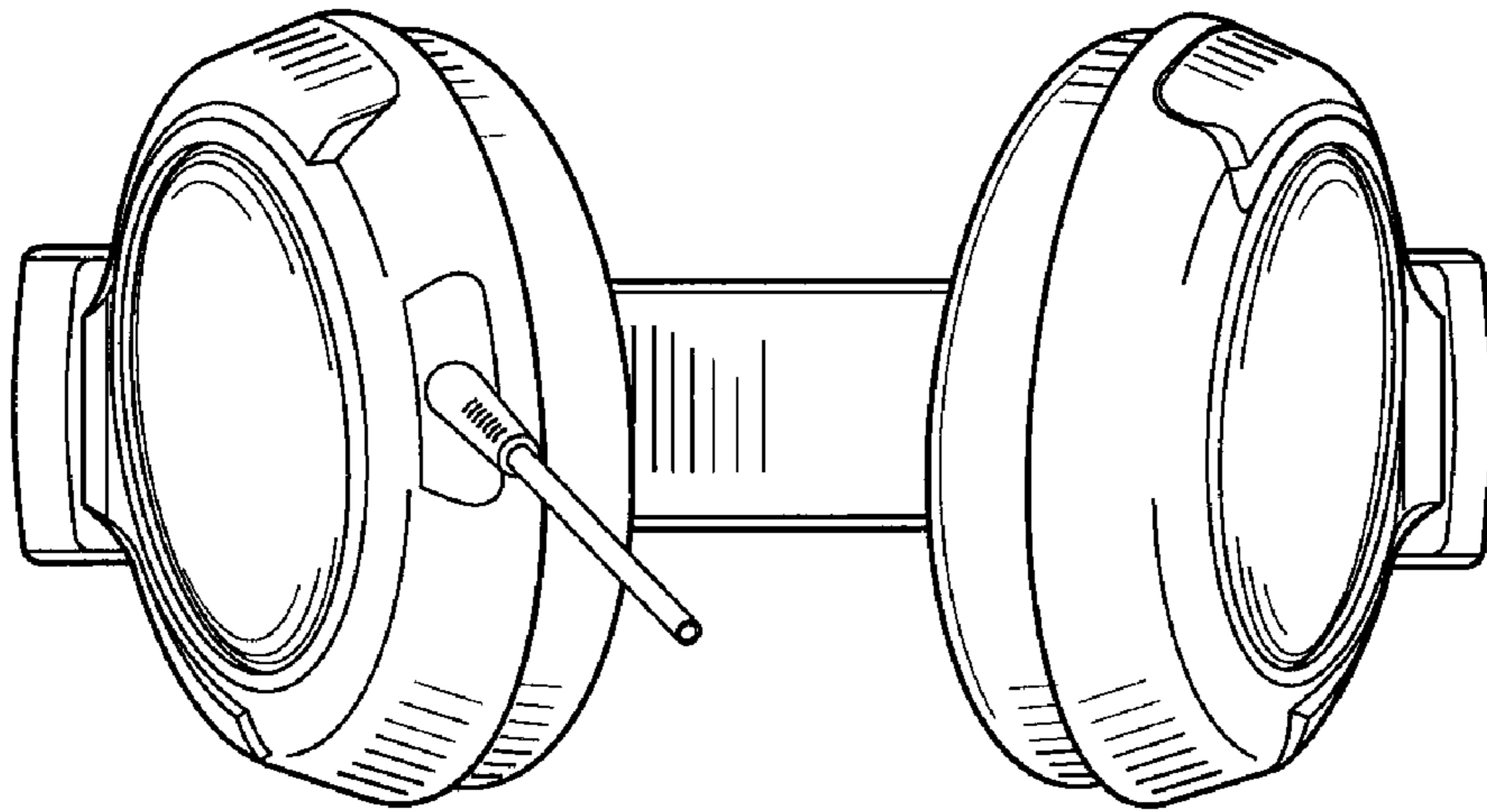


FIG. 6

