

US00D600661S

(12) **United States Design Patent**
Ohki et al.

(10) **Patent No.:** **US D600,661 S**

(45) **Date of Patent:** **** Sep. 22, 2009**

(54) **TELEVISION RECEIVER**

(75) Inventors: **Masayuki Ohki**, Kokubunji (JP);
Minoru Ikeda, Inagi (JP); **Sho Nozue**,
Musashino (JP); **Mikio Shiraishi**,
Yokohama (JP); **Masanori Takaji**,
Fujisawa (JP)

(73) Assignee: **Hitachi, Ltd.**, Tokyo (JP)

(**) Term: **14 Years**

(21) Appl. No.: **29/270,029**

(22) Filed: **Dec. 14, 2006**

(30) **Foreign Application Priority Data**

Sep. 25, 2006 (JP) 2006-025551

(51) **LOC (9) Cl.** **14-03**

(52) **U.S. Cl.** **D14/126**

(58) **Field of Classification Search** D14/125-134,
D14/239, 371, 136, 374-377, 440, 450, 448,
D14/336, 342; 312/7.2; 348/836, 838, 180,
348/184, 325, 739; 341/12; 248/917-924,
248/465; 345/104, 133, 156, 168, 87, 173;
720/605, 669, 600, 655; 369/99, 197; 455/344,
455/347; D21/329, 515, 577, 622, 333, 433,
D21/448, 452, 450, 331; D6/477, 479, 300;
273/148 B; 446/484, 175, 356; D10/15,
D10/26

See application file for complete search history.

(56) **References Cited**

U.S. PATENT DOCUMENTS

D424,538 S * 5/2000 Hayashi et al. D14/374

D455,131 S * 4/2002 Reynaga et al. D14/126
D484,471 S * 12/2003 Lin et al. D14/126
D505,403 S * 5/2005 Kita D14/134
D543,164 S * 5/2007 Yang et al. D14/126
D548,708 S * 8/2007 Park et al. D14/126
D551,187 S * 9/2007 Kita D14/126
D564,466 S * 3/2008 Inaba D14/126
D566,068 S * 4/2008 Shimizu et al. D14/126
D586,769 S * 2/2009 Kita D14/126
D592,163 S * 5/2009 Lee et al. D14/126
2003/0058372 A1 * 3/2003 Williams et al. 348/836

* cited by examiner

Primary Examiner—Raphael Barkai

(74) *Attorney, Agent, or Firm*—Antonelli, Terry, Stout & Kraus, LLP.

(57) **CLAIM**

We claim the ornamental design for television receiver, as shown.

DESCRIPTION

FIG. 1 is a front, top and right side perspective view of television receiver showing our new design;

FIG. 2 is a front elevational view thereof;

FIG. 3 is a rear elevational view thereof;

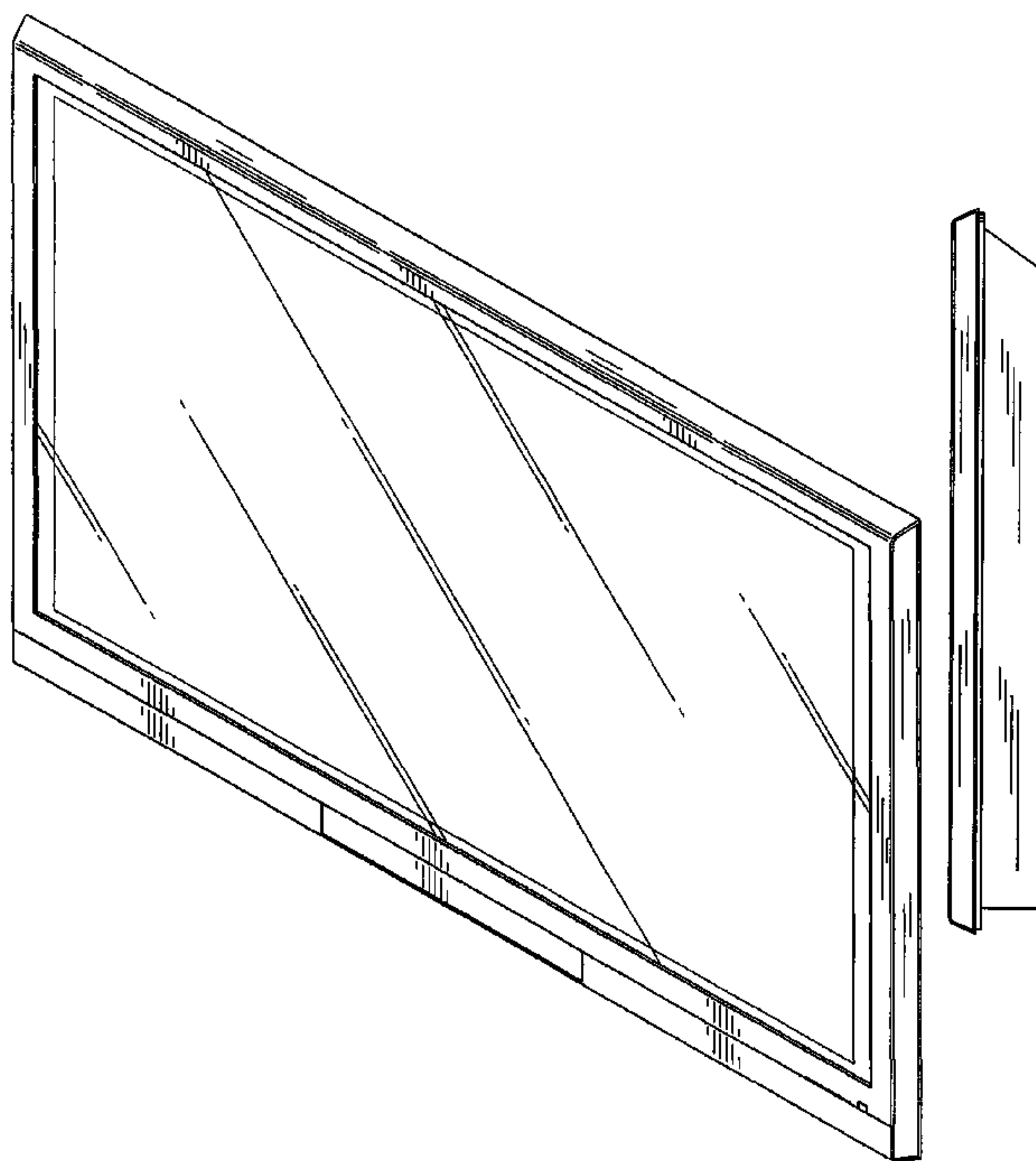
FIG. 4 is a left side elevational view thereof;

FIG. 5 is a right side elevational view thereof;

FIG. 6 is a top plan view thereof; and,

FIG. 7 is a bottom plan view thereof.

1 Claim, 5 Drawing Sheets



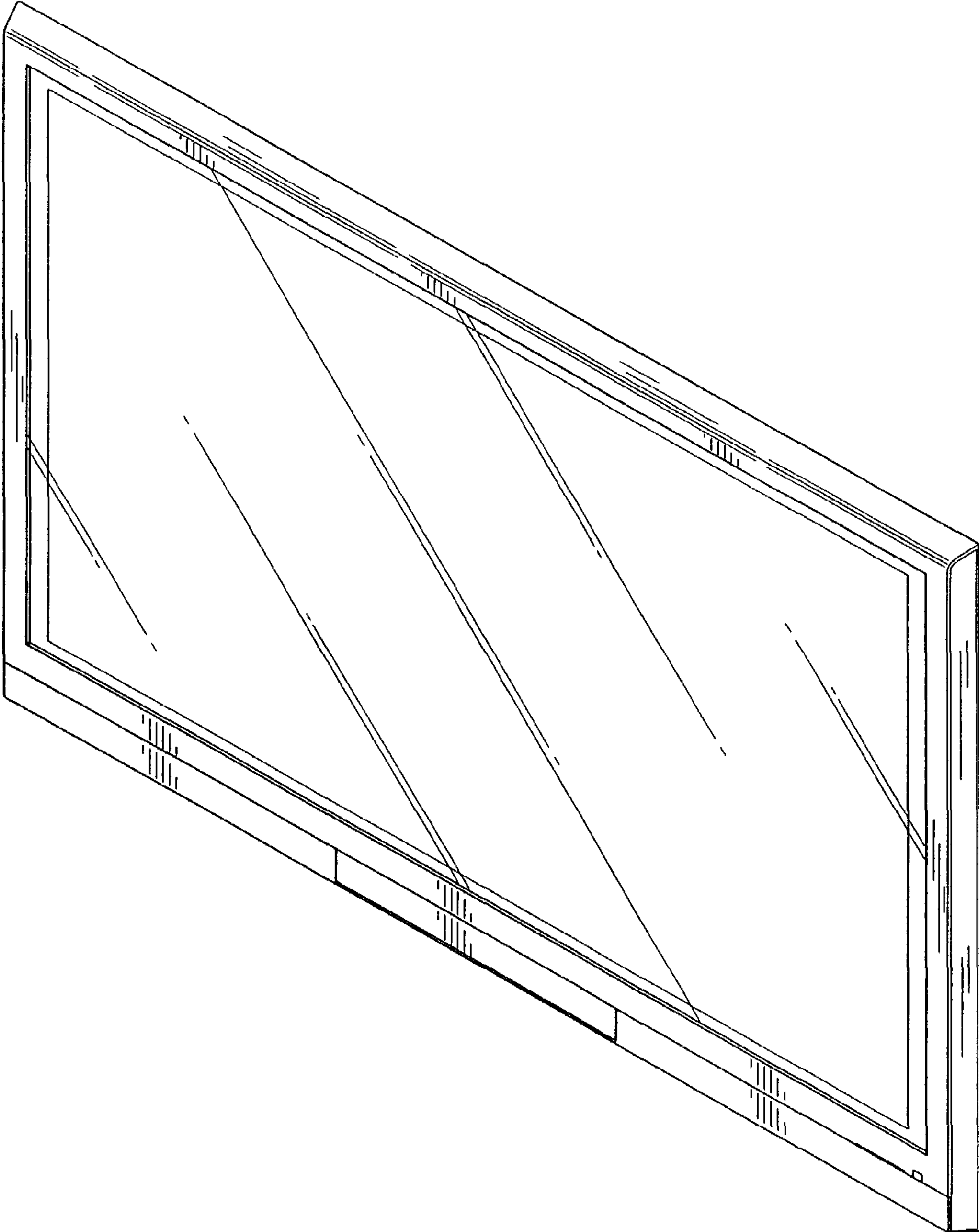


FIG. 1

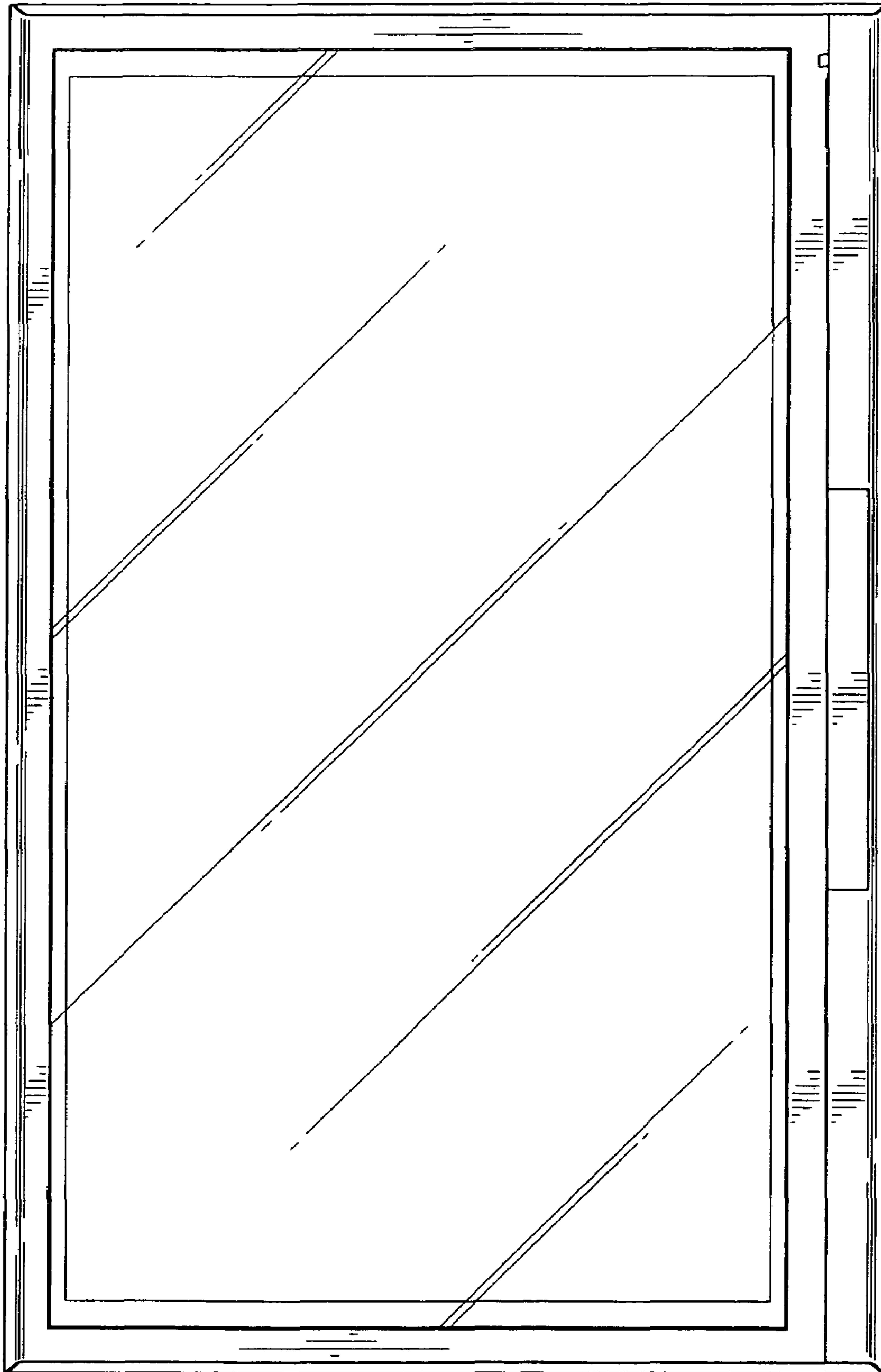


FIG. 2

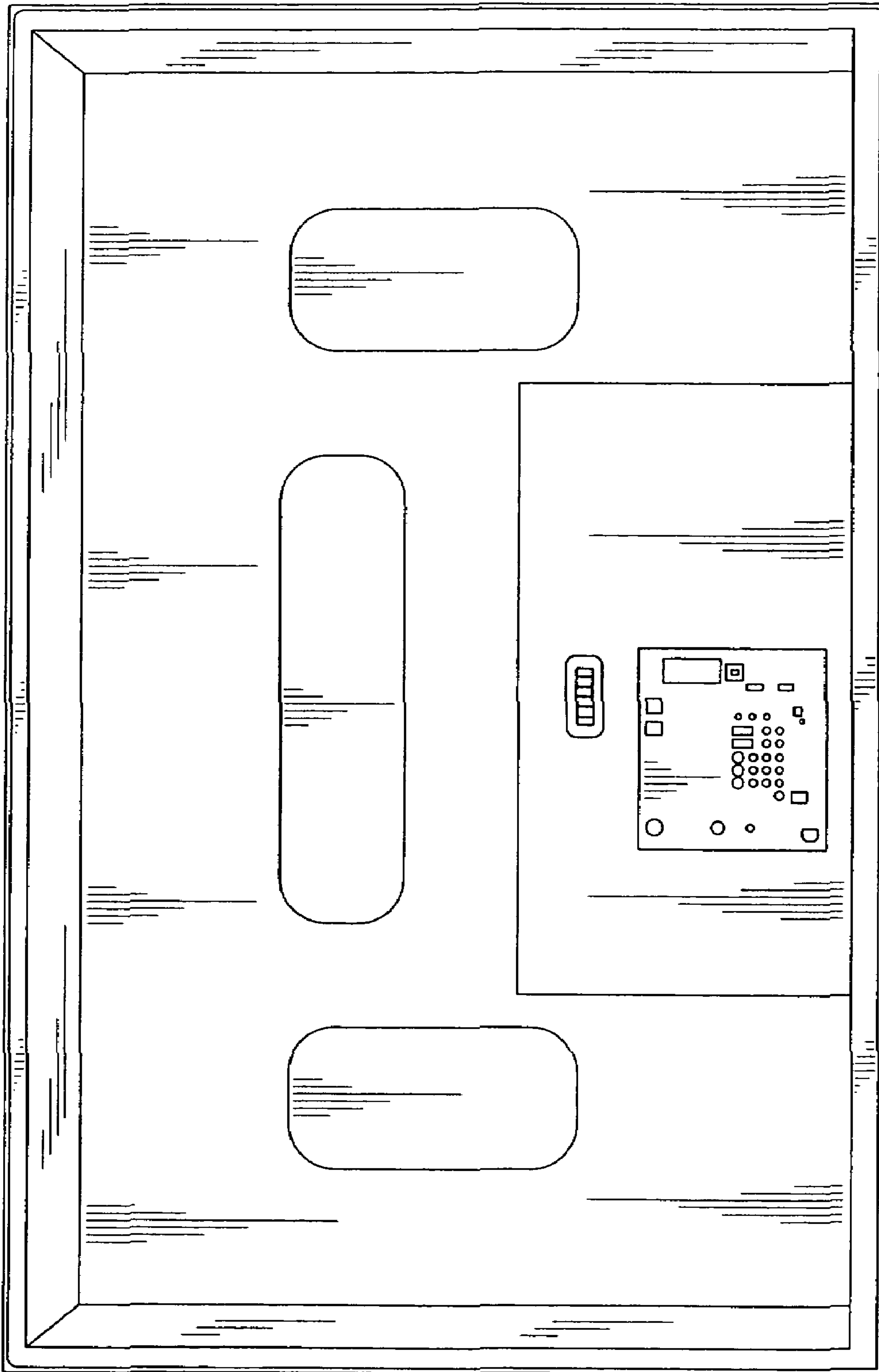


FIG. 3



FIG. 4



FIG. 5

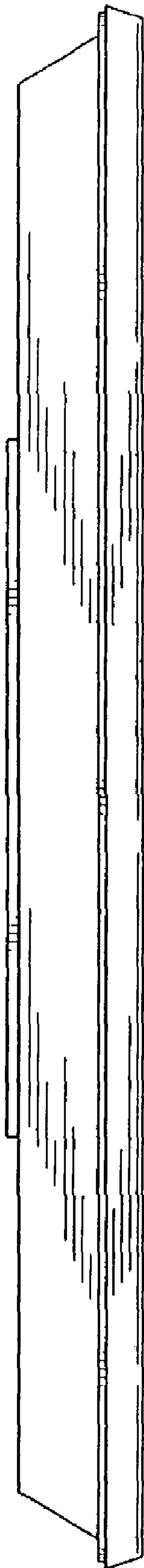


FIG. 6

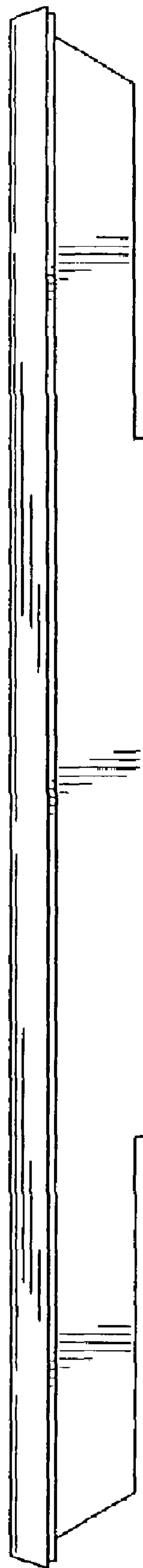


FIG. 7