



US00D600659S

(12) **United States Design Patent**  
**Matsuura et al.**

(10) **Patent No.:** **US D600,659 S**

(45) **Date of Patent:** **\*\* Sep. 22, 2009**

(54) **PROCESS TUBE FOR MANUFACTURING SEMICONDUCTOR WAFERS**

(75) Inventors: **Hiroyuki Matsuura**, Tokyo (JP); **Koichi Shimada**, Tokyo (JP)

(73) Assignee: **Tokyo Electron Limited**, Tokyo (JP)

(\*\*) Term: **14 Years**

(21) Appl. No.: **29/273,613**

(22) Filed: **Mar. 9, 2007**

(30) **Foreign Application Priority Data**

Sep. 12, 2006 (JP) ..... 2006-024315

(51) **LOC (9) Cl.** ..... **13-03**

(52) **U.S. Cl.** ..... **D13/182**

(58) **Field of Classification Search** ..... D13/182;  
118/715, 724, 725; 219/390, 486, 523; 432/247  
See application file for complete search history.

(56) **References Cited**

**U.S. PATENT DOCUMENTS**

5,618,349	A *	4/1997	Yuuki	.....	118/715
D404,368	S *	1/1999	Shimazu	.....	D13/182
D405,062	S *	2/1999	Shimazu	.....	D13/182
D406,113	S *	2/1999	Hanagata et al.	.....	D13/182
5,948,300	A *	9/1999	Gero et al.	.....	219/390
6,251,189	B1 *	6/2001	Odake et al.	.....	118/715
6,538,237	B1 *	3/2003	Yang et al.	.....	219/390
D520,467	S *	5/2006	Ishii et al.	.....	D13/182
D521,464	S *	5/2006	Ishii et al.	.....	D13/182
2002/0014483	A1 *	2/2002	Suzuki et al.	.....	219/486

\* cited by examiner

*Primary Examiner*—Selina Sikder

(74) *Attorney, Agent, or Firm*—Smith, Gambrell & Russell, LLP

(57) **CLAIM**

The ornamental design for a process tub for manufacturing semiconductor wafers, as shown and described.

**DESCRIPTION**

FIG. 1 is a perspective view of the design for a process tube for manufacturing semiconductor wafers in accordance with the invention;

FIG. 2 is a front view thereof;

FIG. 3 is a rear view thereof;

FIG. 4 is a top view thereof;

FIG. 5 is a bottom view thereof;

FIG. 6 is a right side view thereof;

FIG. 7 is a left side view thereof;

FIG. 8 is a sectional view thereof along line 8—8 of FIG. 4;

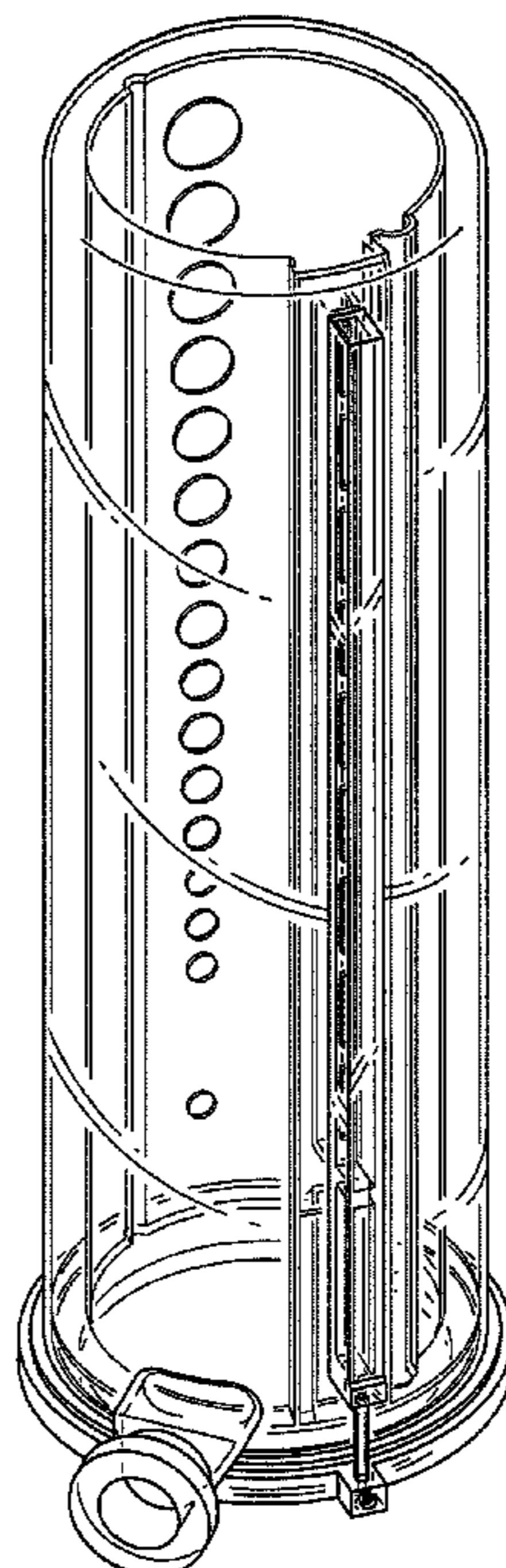
FIG. 9 is a sectional view thereof along line 9—9 of FIG. 4;

FIG. 10 is a sectional view thereof along line 10—10 of FIG. 4; and,

FIG. 11 is a sectional view thereof along line 11—11 of FIG. 2.

The broken lines are shown for illustrative purpose only and form no part of the claimed design.

**1 Claim, 11 Drawing Sheets**



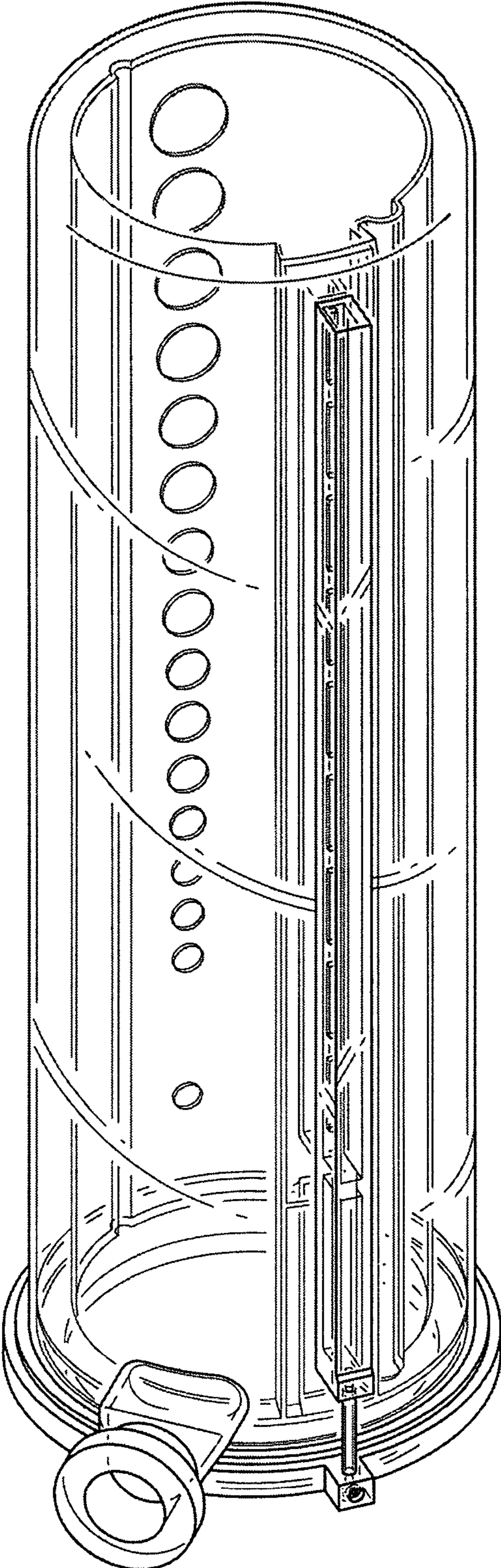


FIG. 1

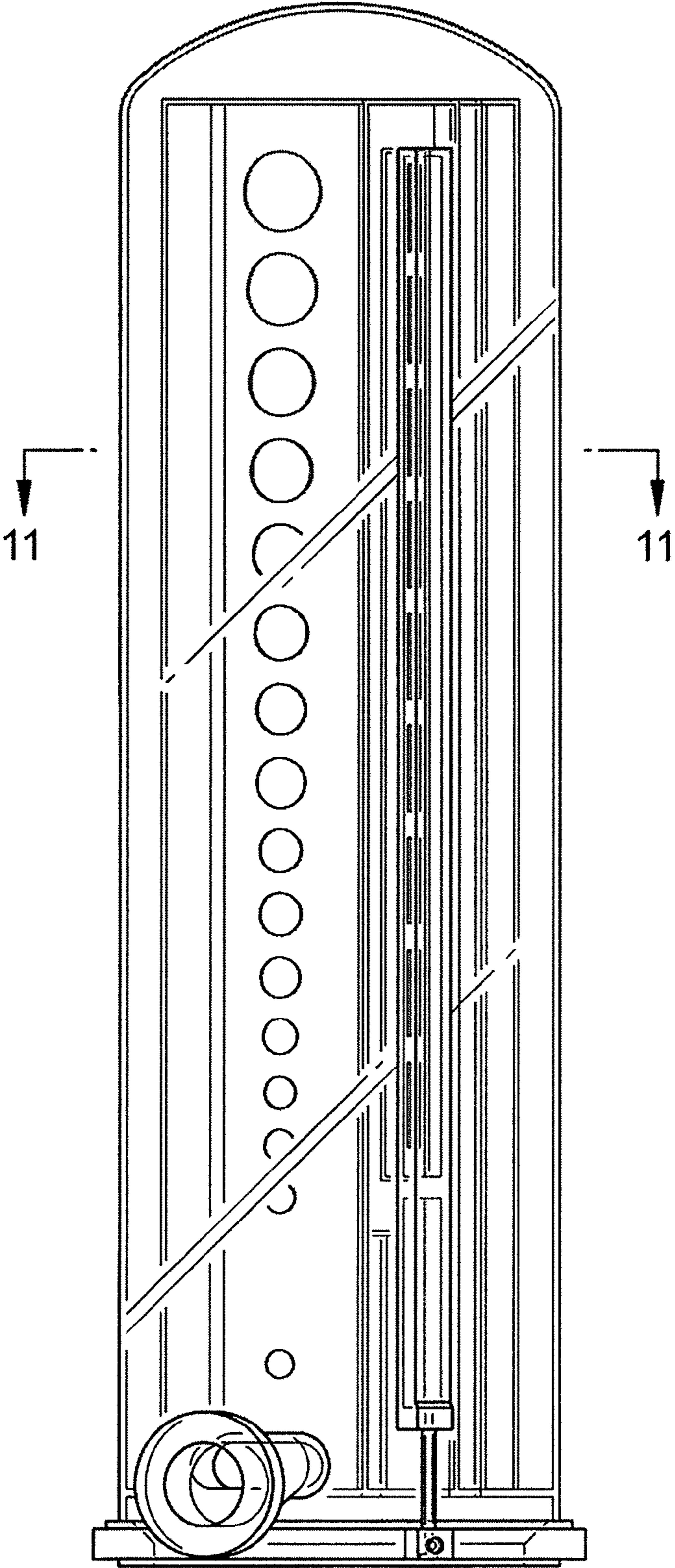


FIG. 2

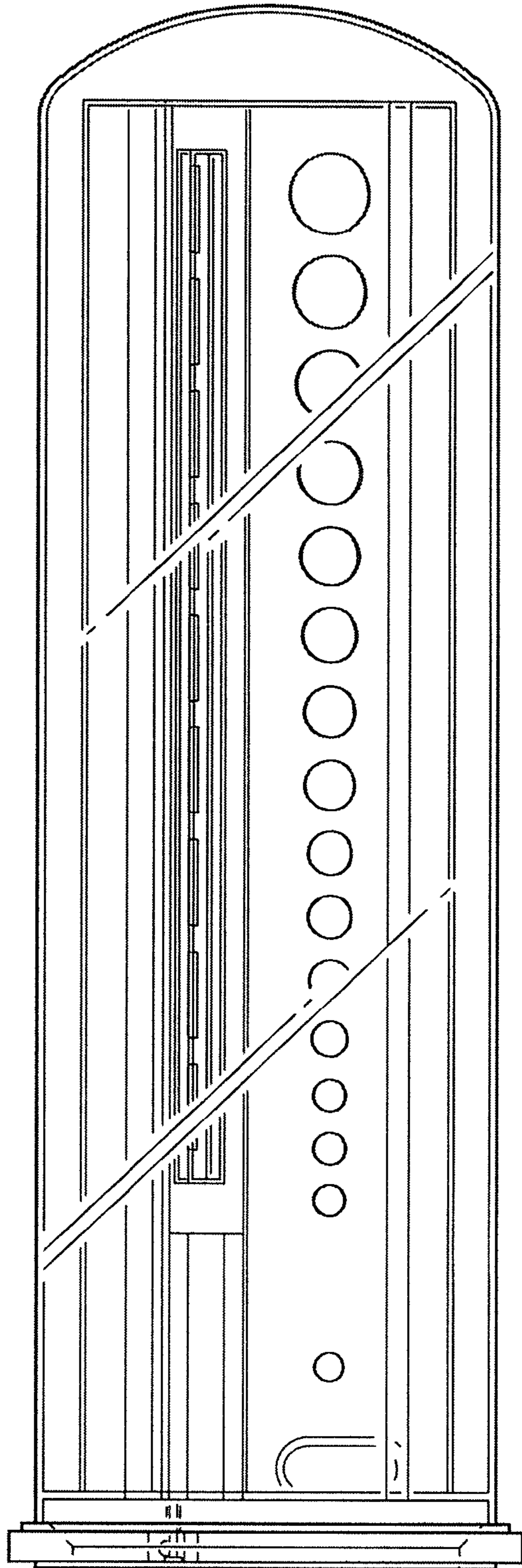


FIG. 3

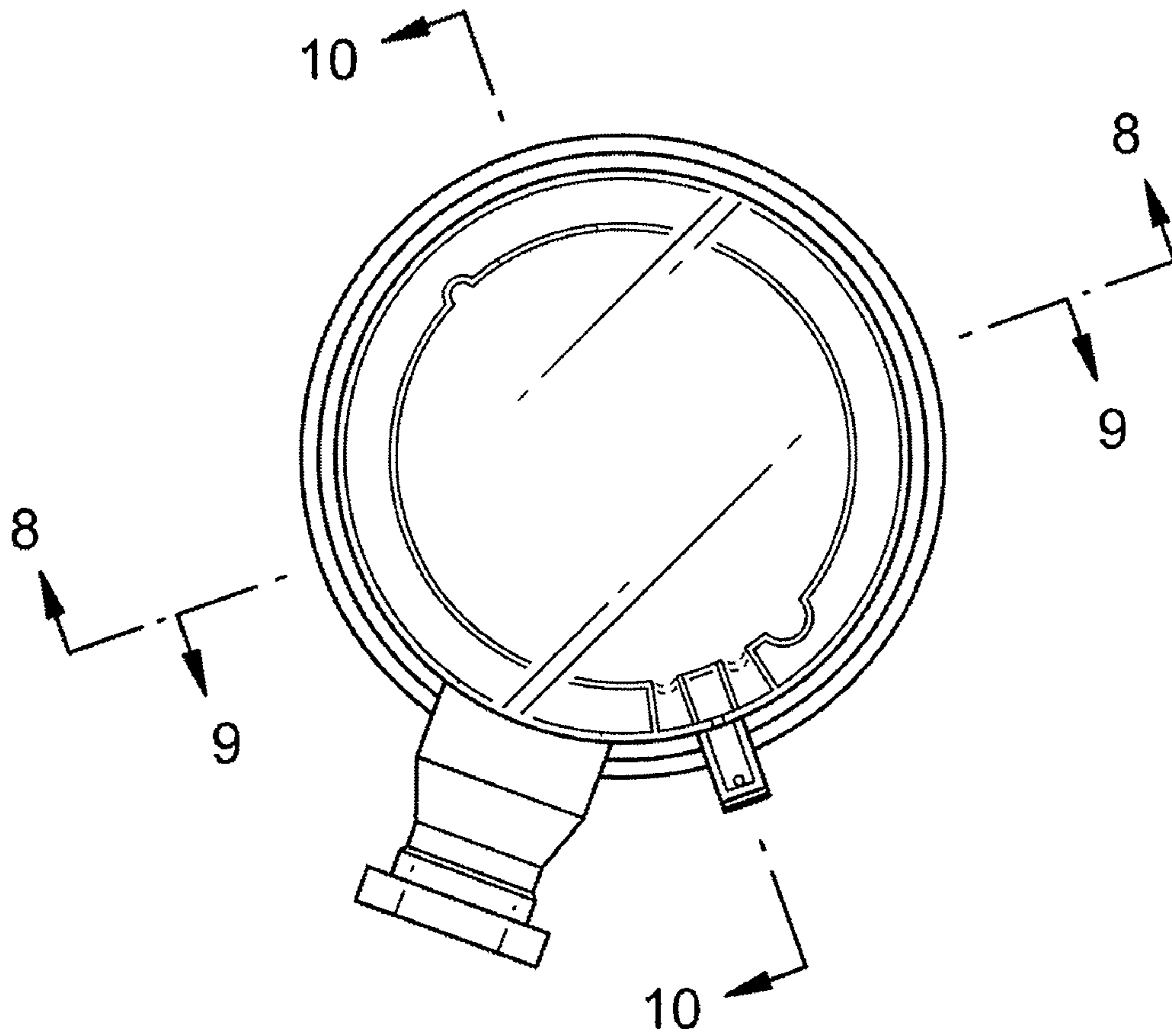


FIG. 4

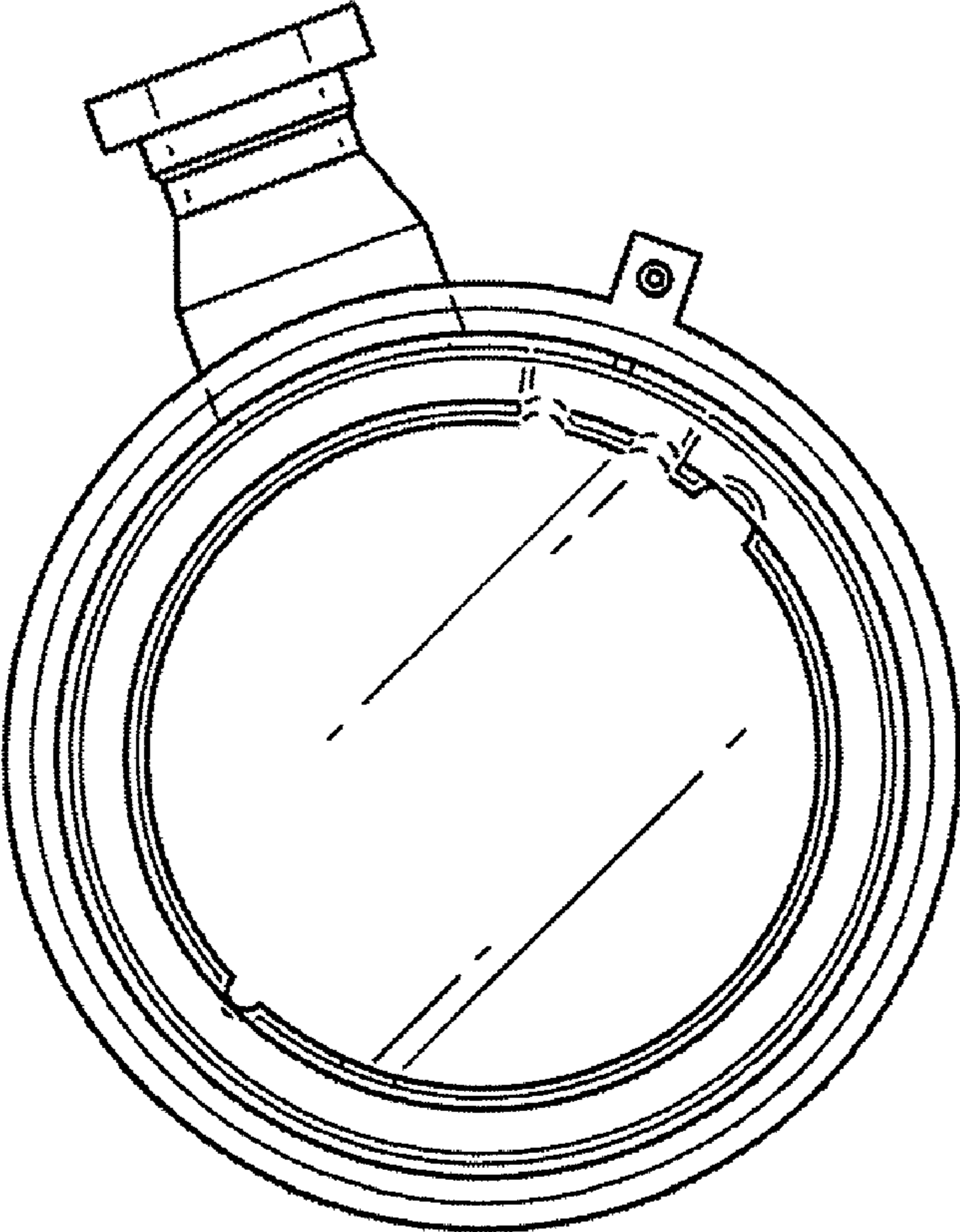


FIG. 5

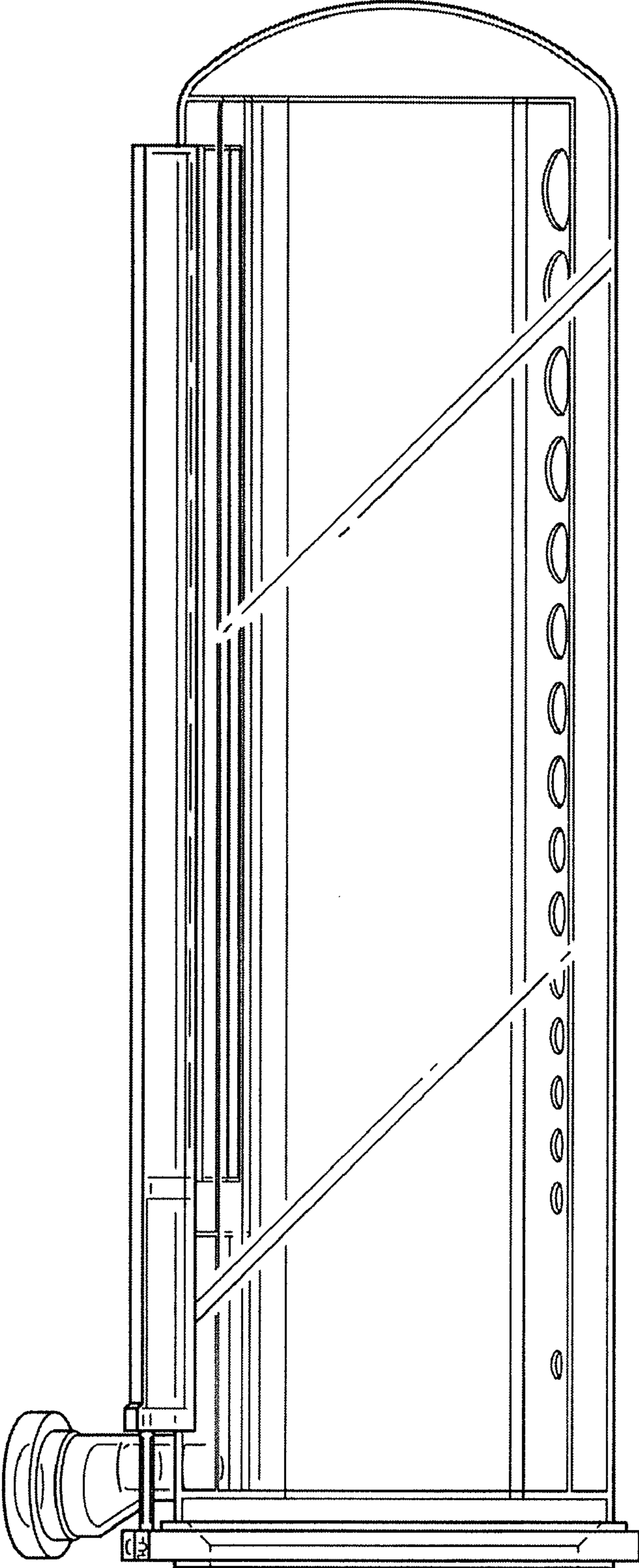


FIG. 6

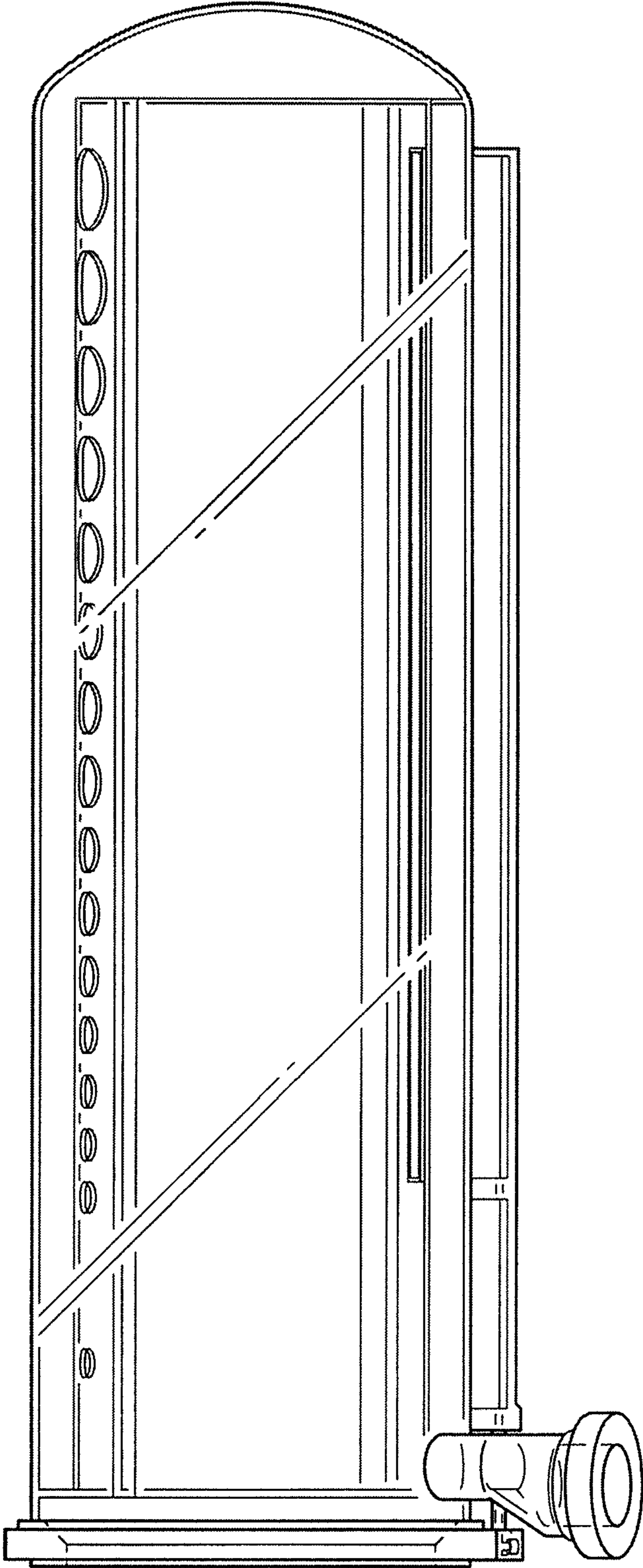


FIG. 7



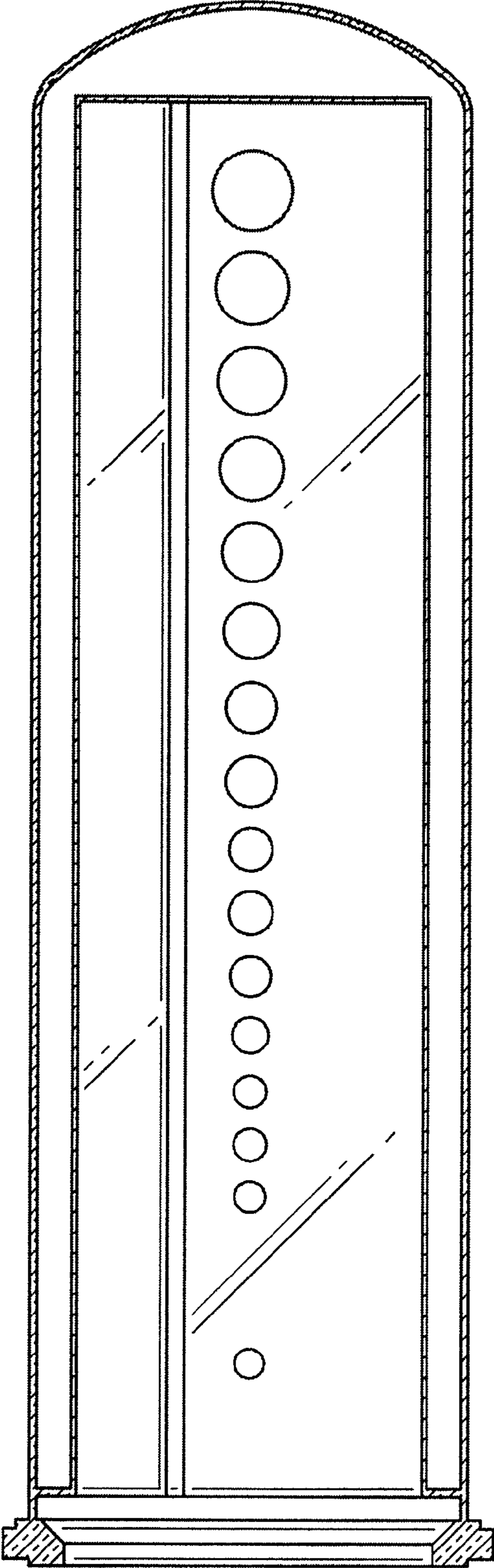


FIG. 8

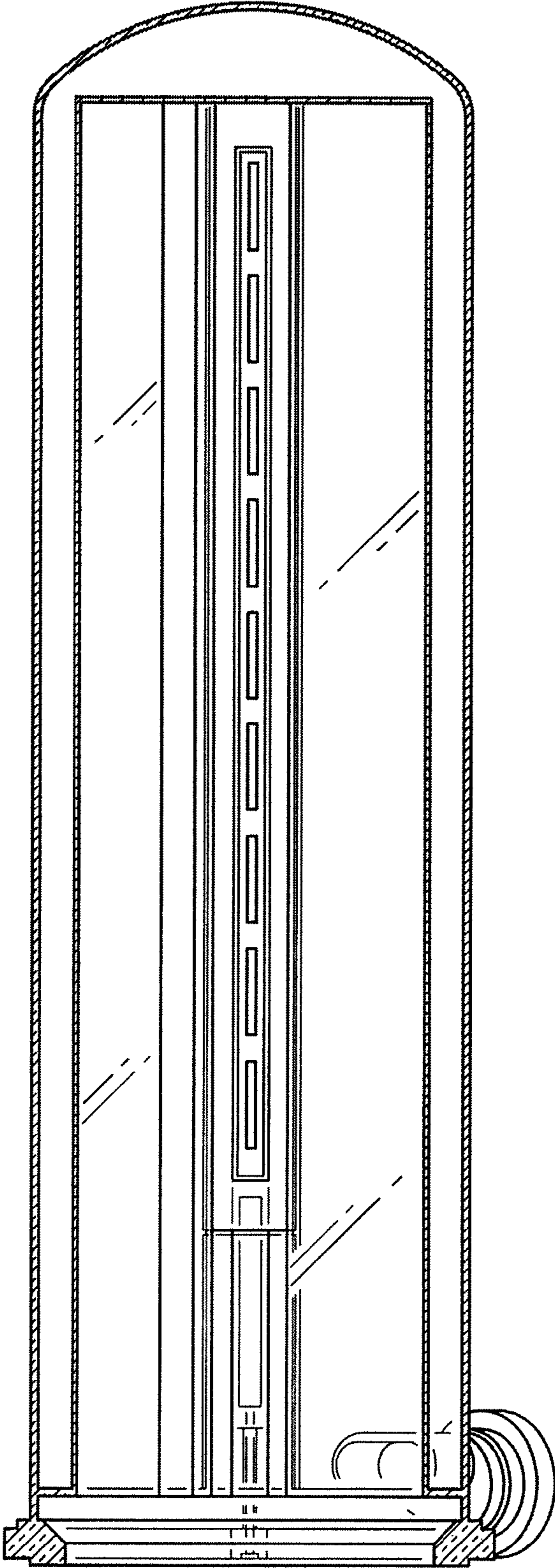


FIG. 9

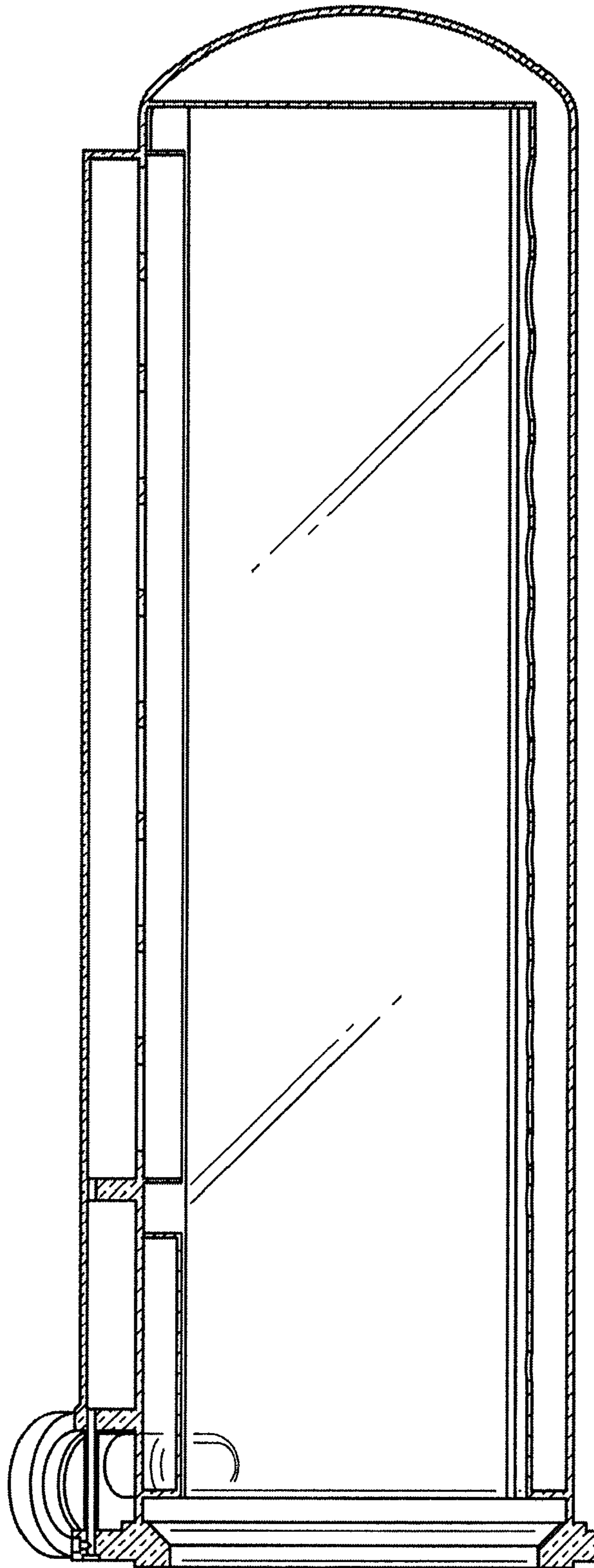


FIG. 10

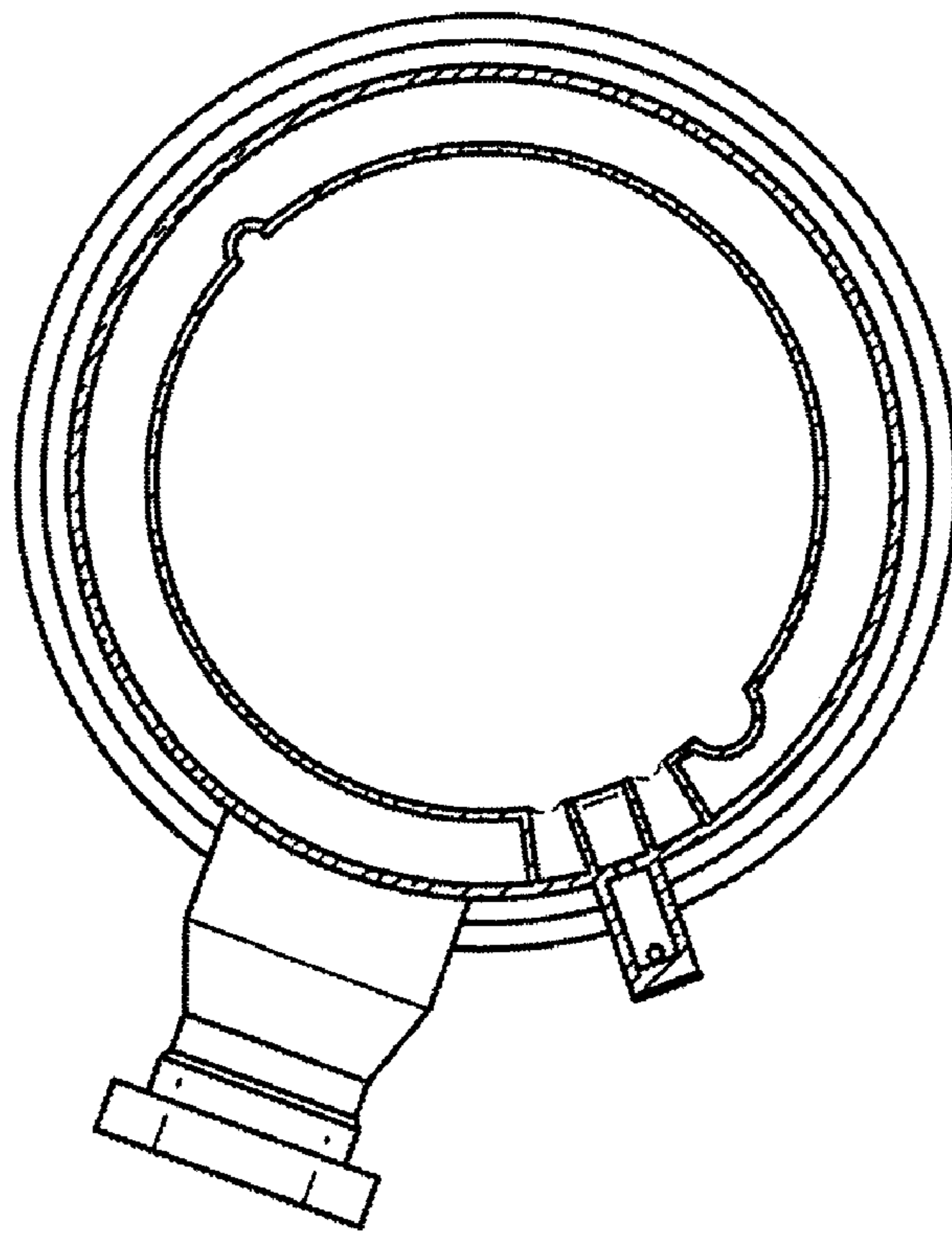


FIG. 11