



(12) **United States Design Patent**
Takano

(10) **Patent No.:** **US D600,658 S**
(45) **Date of Patent:** **** Sep. 22, 2009**

(54) **LIGHT-EMITTING DIODE**

D590,356 S * 4/2009 Takano et al. D13/180

(75) Inventor: **Teppei Takano**, Fujiyoshida (JP)

* cited by examiner

(73) Assignee: **Citizen Electronics Co., Ltd.**,
Yamanashi (JP)

Primary Examiner—Selina Sikder
(74) *Attorney, Agent, or Firm*—Browdy and Neimark,
P.L.L.C.

(**) Term: **14 Years**

(57) **CLAIM**

(21) Appl. No.: **29/327,791**

The ornamental design for a light-emitting diode, as shown
and described here.

(22) Filed: **Nov. 13, 2008**

(30) **Foreign Application Priority Data**

DESCRIPTION

May 13, 2008 (JP) D2008-011891

FIG. 1 is a perspective view of the light-emitting diode in
accordance with my new design, showing an upper surface
and side surfaces as viewed from diagonally above;

(51) **LOC (9) Cl.** **13-03**

(52) **U.S. Cl.** **D13/180**

FIG. 2 is a perspective view thereof, showing a bottom surface
and side surfaces as viewed from diagonally above;

(58) **Field of Classification Search** D13/180;
D26/2; 257/79, 80, 81, 88, 89, 95, 98, 99,
257/100; 313/483, 498, 500; 362/555, 800
See application file for complete search history.

FIG. 3 is a front elevation view, the rear elevation view being
a mirror image thereof;

(56) **References Cited**

FIG. 4 is a top plan view thereof;

U.S. PATENT DOCUMENTS

FIG. 5 is a bottom plan view thereof;

FIG. 6 is a left side view thereof; and,

D563,333 S * 3/2008 Kim D13/180

D576,117 S * 9/2008 Shin et al. D13/180

D578,969 S * 10/2008 Kobayakawa D13/180

FIG. 7 is a right side view thereof.

1 Claim, 3 Drawing Sheets

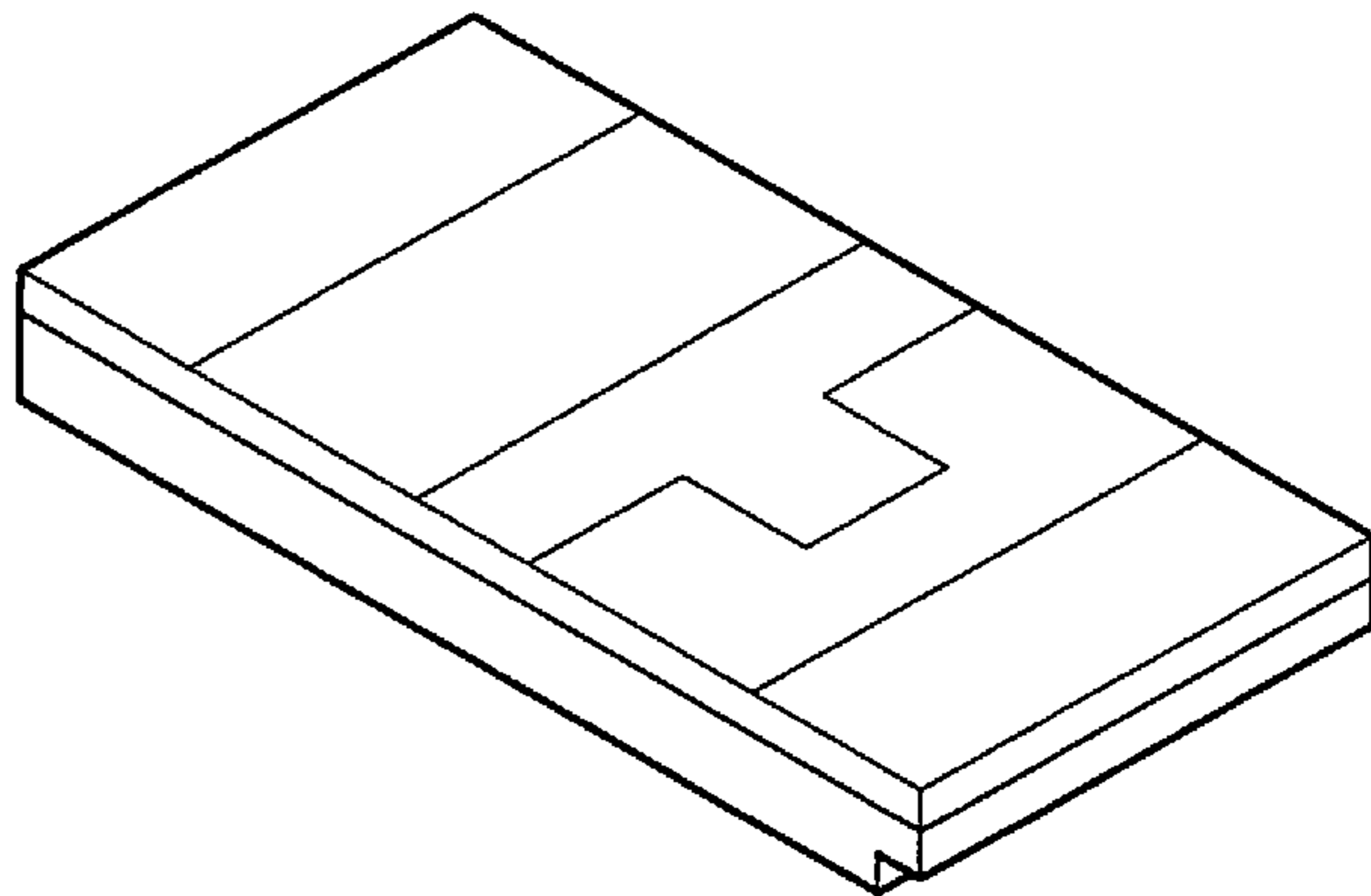
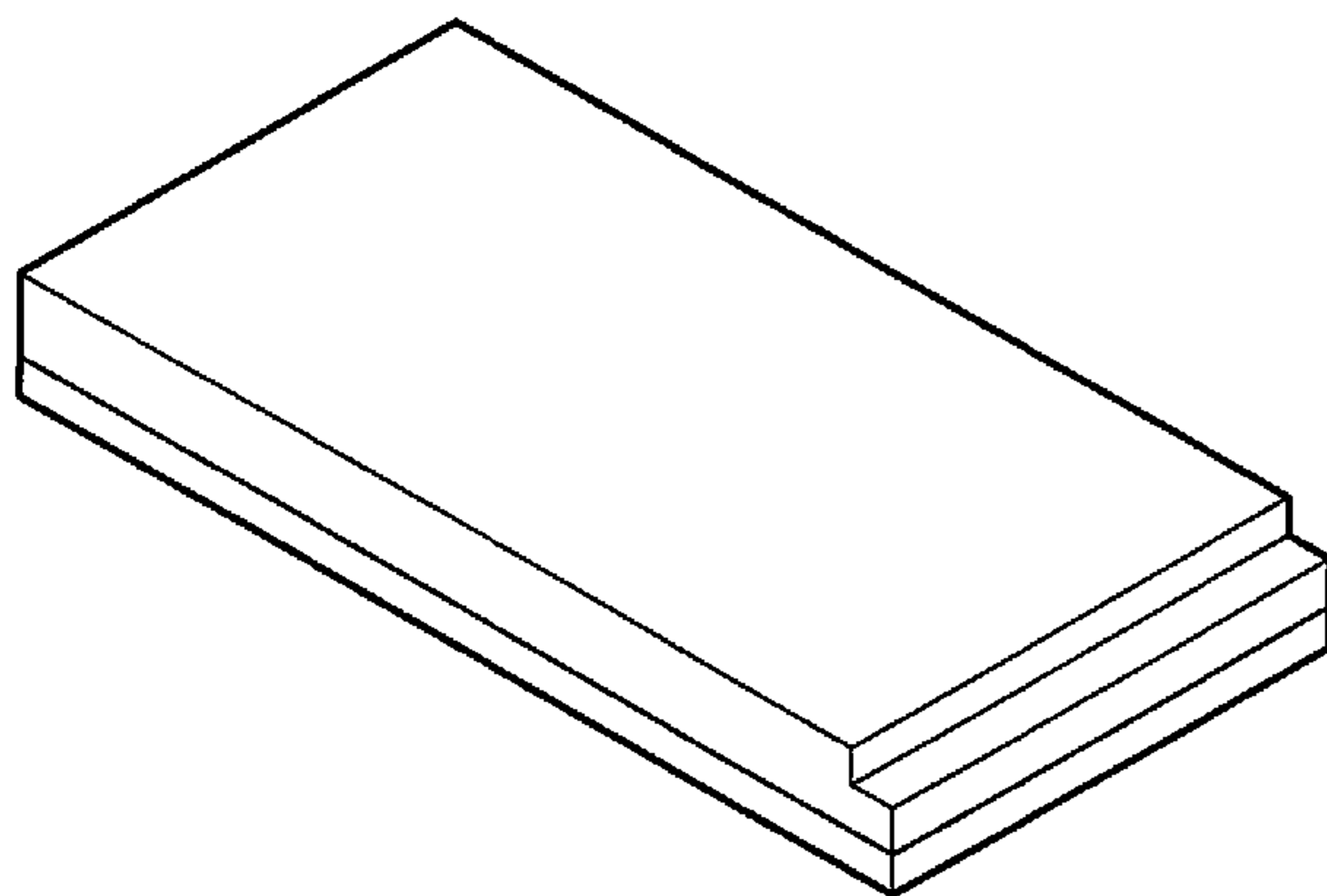


Fig. 1

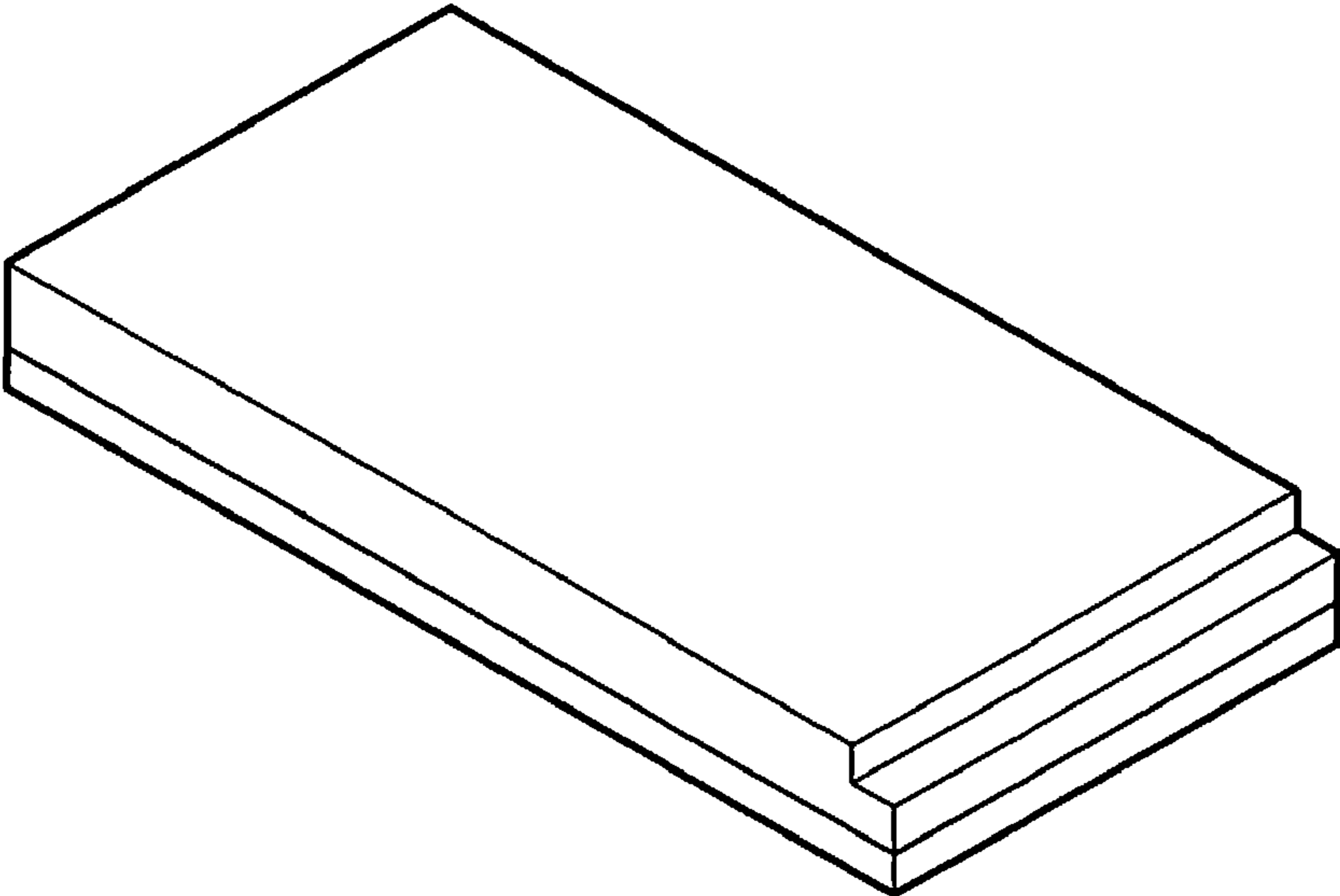


Fig. 2

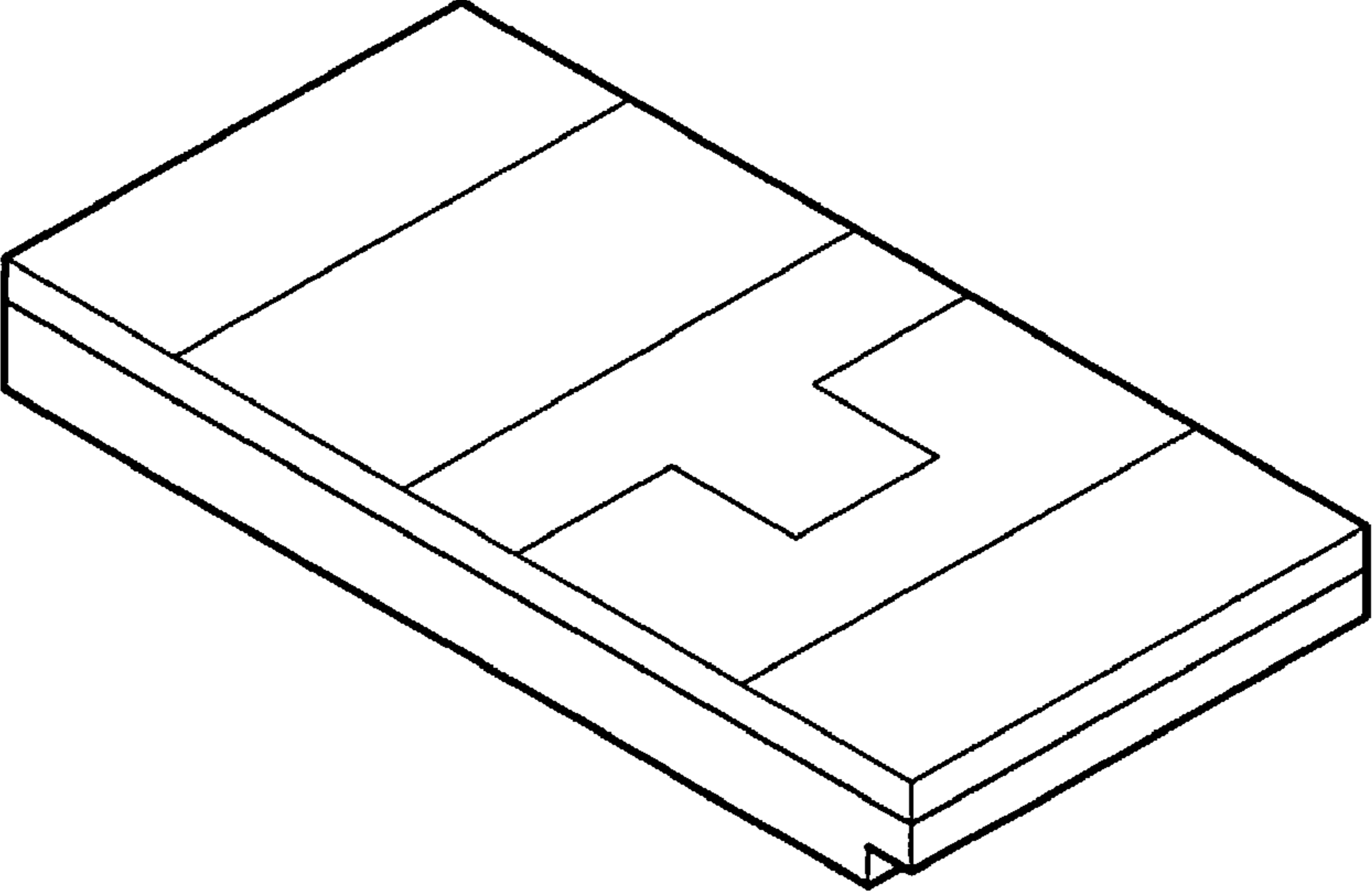


Fig. 3



Fig. 4

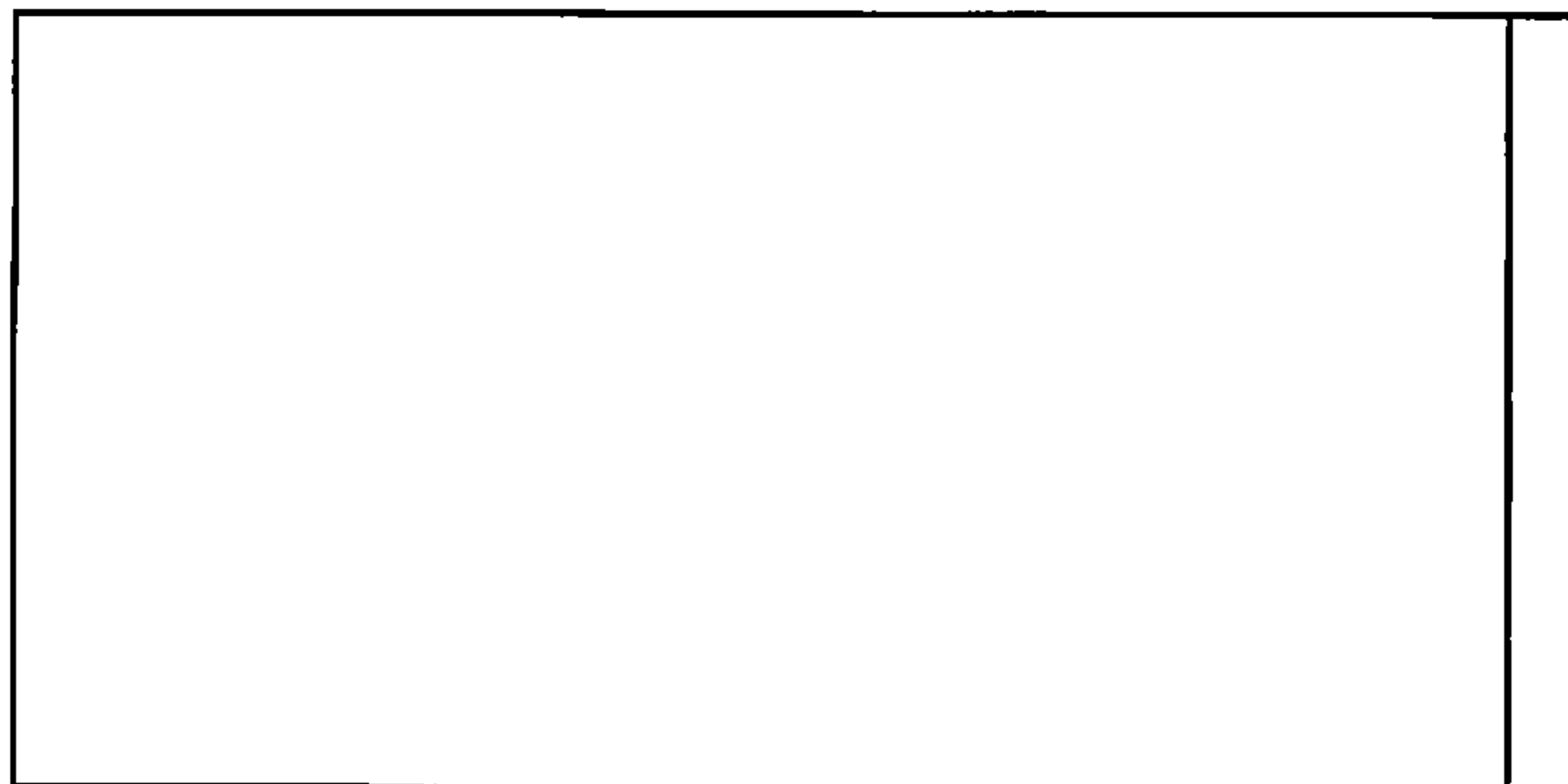


Fig. 5

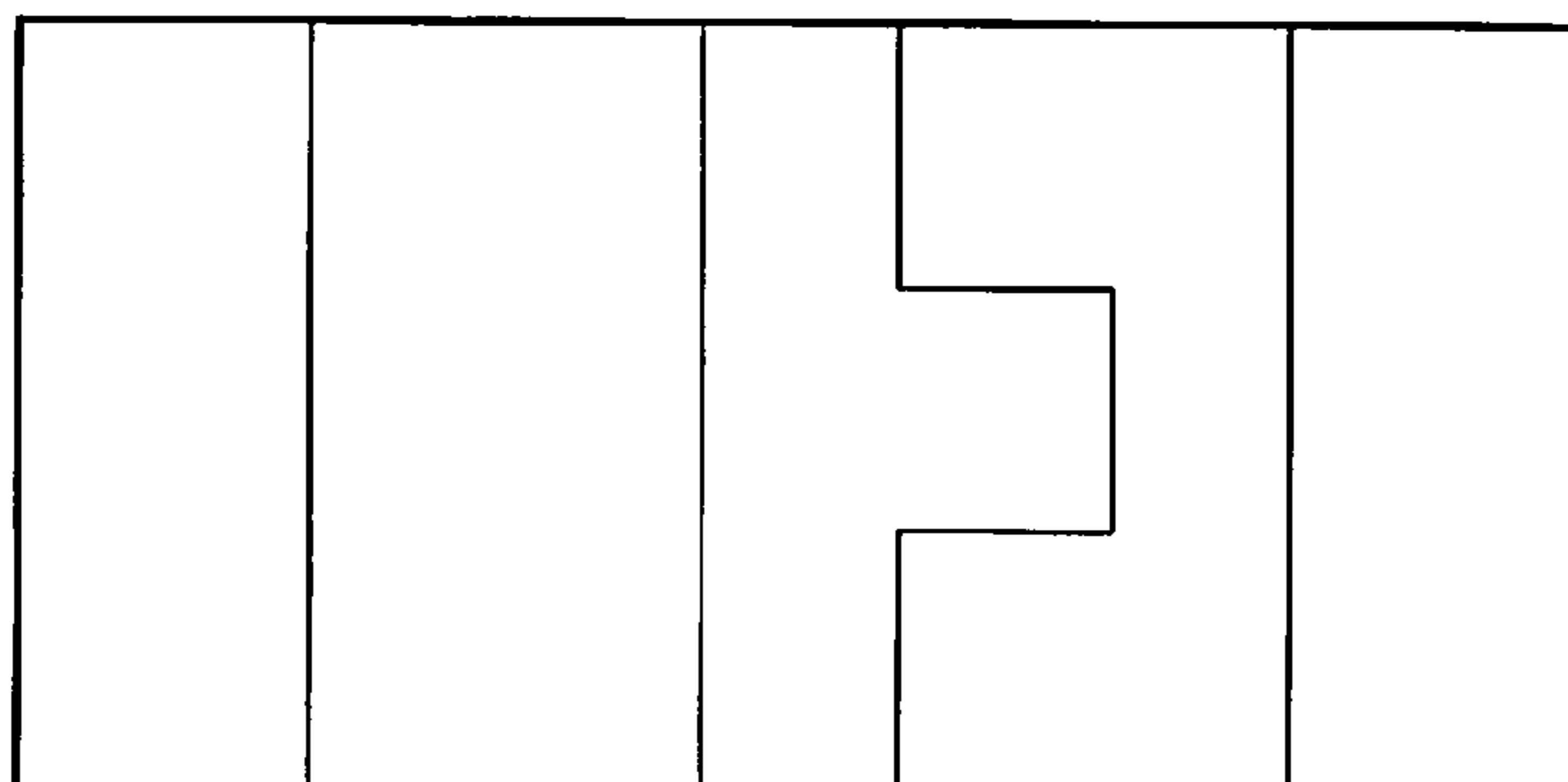


Fig. 6



Fig. 7

