



US00D600657S

(12) **United States Design Patent**  
**Tsuchiya**

(10) **Patent No.:** **US D600,657 S**

(45) **Date of Patent:** **\*\* Sep. 22, 2009**

(54) **LIGHT-EMITTING DIODE**

(75) Inventor: **Kosuke Tsuchiya**, Fujiyoshida (JP)

(73) Assignee: **Citizen Electronics Co., Ltd.**,  
Yamanashi (JP)

(\*\*) Term: **14 Years**

(21) Appl. No.: **29/327,788**

(22) Filed: **Nov. 13, 2008**

(30) **Foreign Application Priority Data**

May 13, 2008 (JP) ..... 2008-011890

(51) **LOC (9) Cl.** ..... **13-03**

(52) **U.S. Cl.** ..... **D13/180**

(58) **Field of Classification Search** ..... D13/180;  
D26/2; 257/79, 80, 81, 88, 89, 95, 98, 99,  
257/100; 313/483, 498, 500; 362/555, 800  
See application file for complete search history.

(56) **References Cited**

U.S. PATENT DOCUMENTS

6,501,084 B1 \* 12/2002 Sakai et al. .... 250/504 R  
D478,879 S \* 8/2003 Imai ..... D13/182  
D503,930 S \* 4/2005 Asakawa ..... D13/180  
D568,834 S \* 5/2008 Nishida et al. .... D13/180  
D578,490 S \* 10/2008 Lee et al. .... D13/180

D590,355 S \* 4/2009 Tsuchiya et al. .... D13/180  
2008/0164487 A1 \* 7/2008 Liu et al. .... 257/99  
2008/0291691 A1 \* 11/2008 Ishizaka et al. .... 362/555

\* cited by examiner

*Primary Examiner*—Selina Sikder

(74) *Attorney, Agent, or Firm*—Browdy and Neimark,  
P.L.L.C.

(57) **CLAIM**

The ornamental design for a light-emitting diode, as shown  
and described here.

**DESCRIPTION**

FIG. 1 is a perspective view of the light-emitting diode in  
accordance with my new design, showing an upper surface  
and side surfaces thereof as viewed from diagonally above;

FIG. 2 is a perspective view thereof, showing a bottom surface  
and side surfaces as viewed from the diagonally above;

FIG. 3 is a front elevation view thereof;

FIG. 4 is a rear elevation view thereof;

FIG. 5 is a top plan view thereof;

FIG. 6 is a bottom plan view thereof; and,

FIG. 7 is a left side view thereof (a right side view thereof is  
symmetrical to FIG. 7).

**1 Claim, 3 Drawing Sheets**

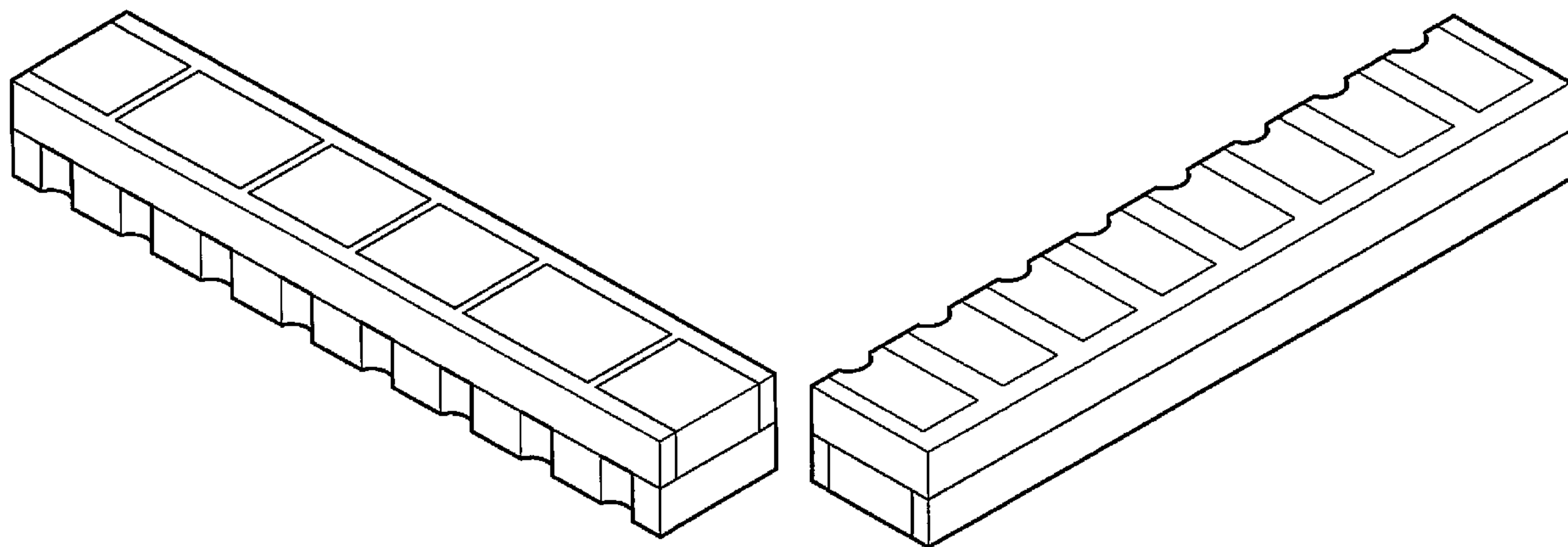


Fig. 1

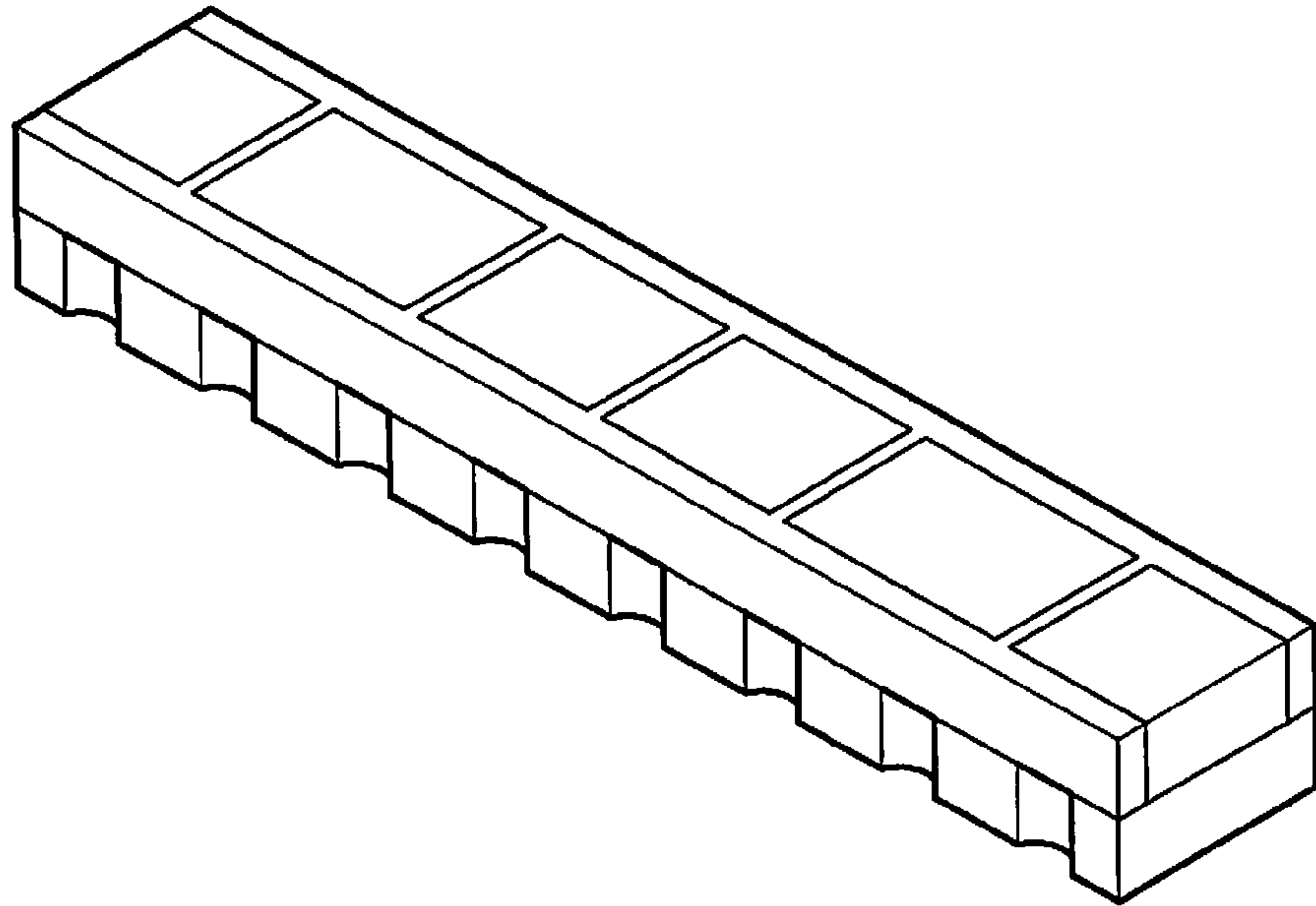
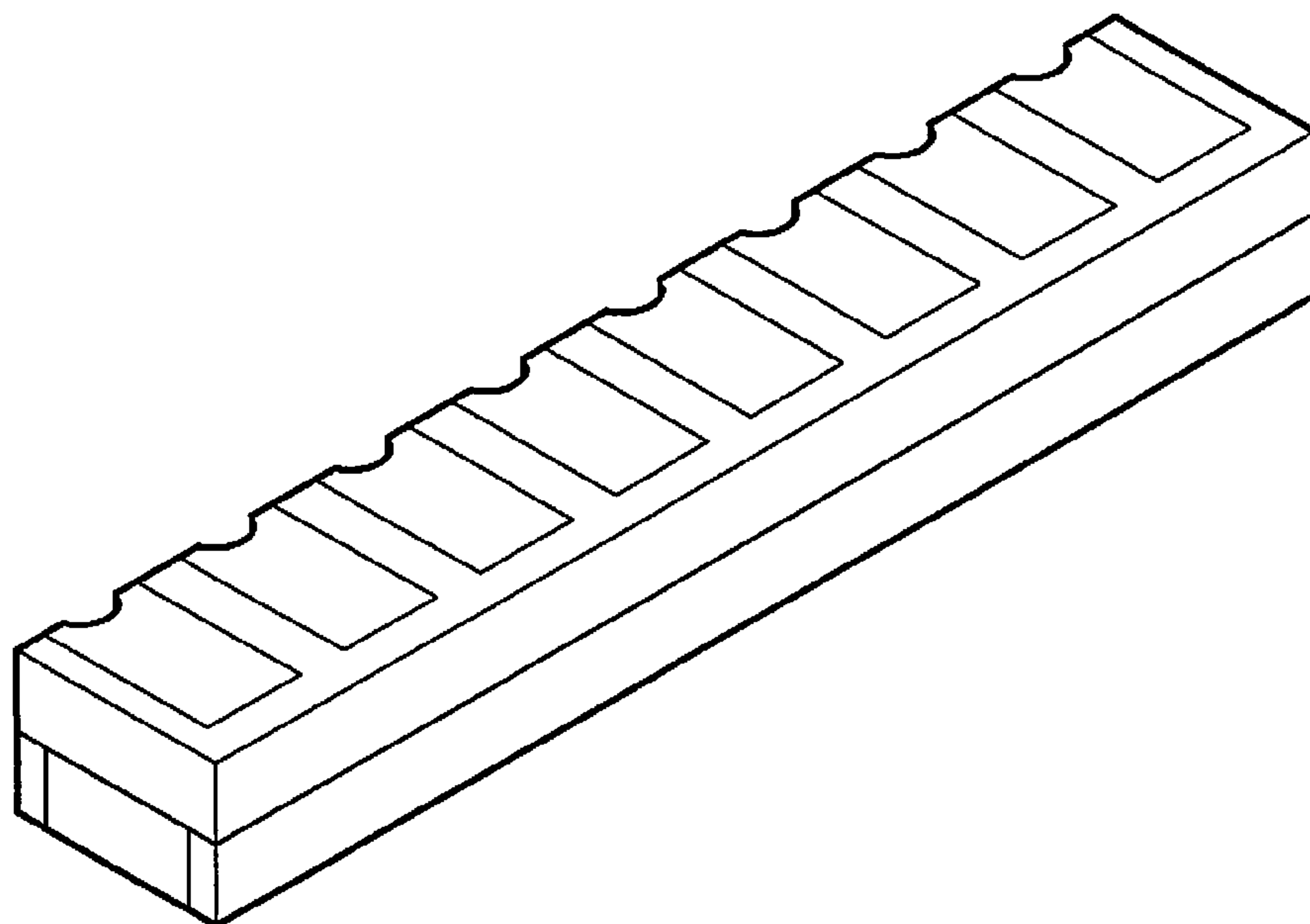
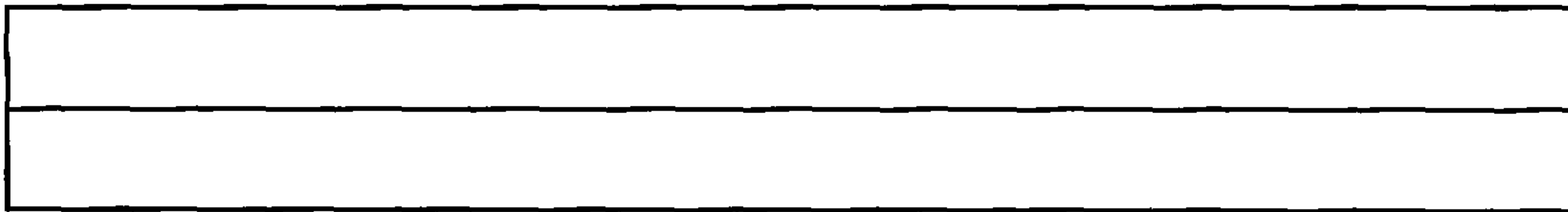


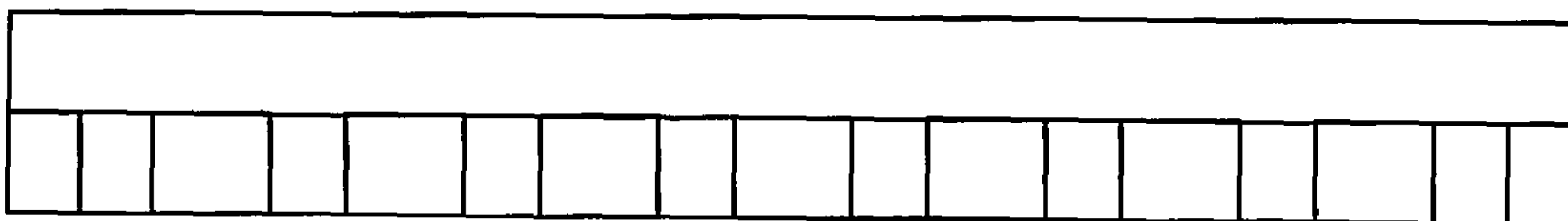
Fig. 2



# Fig. 3



# Fig. 4



# Fig. 5

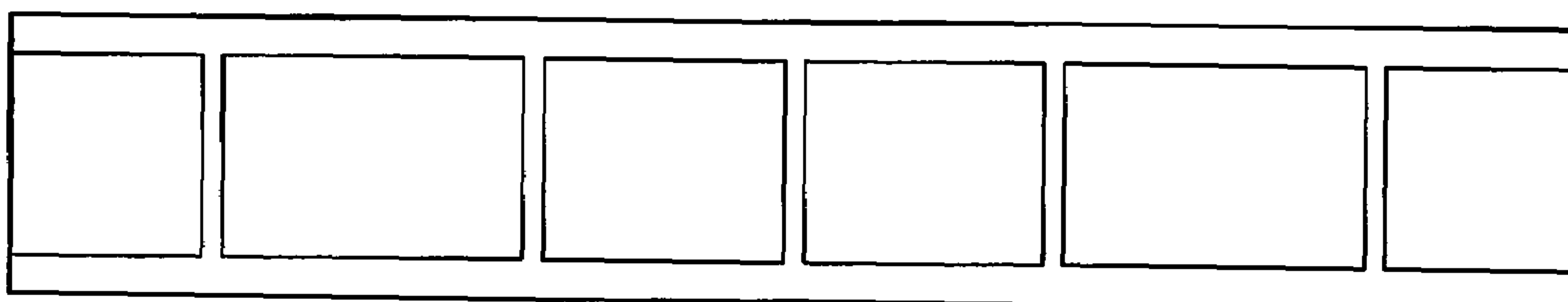


Fig. 6

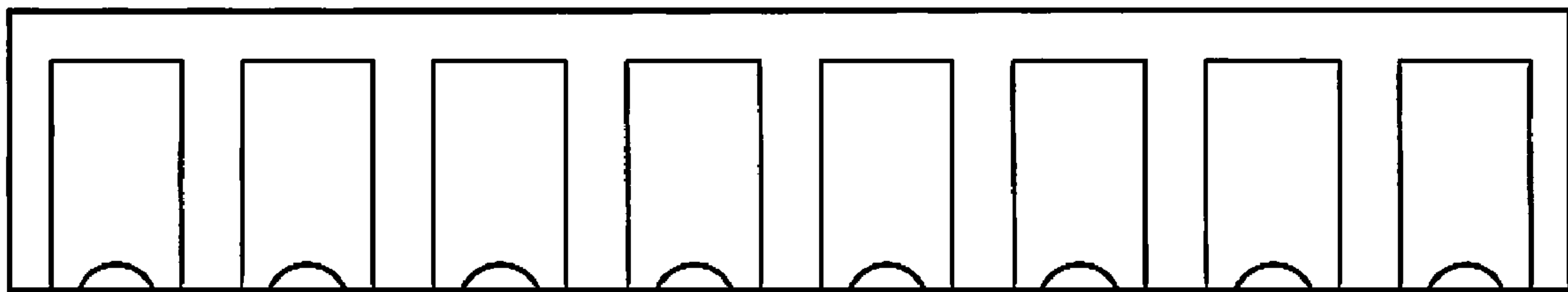


Fig. 7

