



(12) **United States Design Patent**
Altonen et al.

(10) **Patent No.:** **US D600,656 S**
(45) **Date of Patent:** **** Sep. 22, 2009**

(54) **DIMMER SWITCH**

D477,575 S * 7/2003 Mayo et al. D13/171

(75) Inventors: **Gregory Altonen**, Easton, PA (US);
Elliot G. Jacoby, Glenside, PA (US);
Richard David Samuels, Riegelsville,
PA (US); **Noel Mayo**, Philadelphia, PA
(US); **Nikhil Vithal Bhate**, East
Norriton, PA (US)

(Continued)

(73) Assignee: **Lutron Electronics Co., Inc.**,
Coopersburg, PA (US)

OTHER PUBLICATIONS

Lutron Electronics Co., Inc., Commercial Wallbox Lighting Controls
Catalog, 2004, front cover, pp. 70-71, rear cover.
Leviton Manufacturing Co., Inc., Lighting and Fan Speed Controls
Product Guide, 2006, 16 pages.
Leviton Manufacturing Co., Inc., L-504 Catalog, 2003, front cover,
pp. A22-A25, rear cover.

(Continued)

(**) Term: **14 Years**

Primary Examiner—Selina Sikder

(21) Appl. No.: **29/302,039**

(74) *Attorney, Agent, or Firm*—Mark E. Rose; Philip N.
Smith

(22) Filed: **Jan. 9, 2008**

(57) **CLAIM**

(51) **LOC (9) Cl.** **13-03**
(52) **U.S. Cl.** **D13/174; D13/170**
(58) **Field of Classification Search** D13/162,
D13/169, 170, 174; 174/66; 200/330, 335,
200/339, 547, 550; 338/176; 315/295, 297;
307/125, 139, 157

We claim the ornamental design for a dimmer switch, as
shown and described.

See application file for complete search history.

DESCRIPTION

(56) **References Cited**

FIG. 1 is a perspective view of a dimmer switch according to
a first embodiment of our new design.

U.S. PATENT DOCUMENTS

D227,577 S	7/1973	Mayo	
D241,853 S	10/1976	Spira et al.	
4,695,820 A *	9/1987	D'Aleo et al.	338/179
4,833,277 A	5/1989	Jacoby, Jr. et al.	
4,835,343 A	5/1989	Graef et al.	
4,880,950 A	11/1989	Carson et al.	
D307,578 S	5/1990	Carson et al.	
4,924,349 A *	5/1990	Buehler et al.	361/643
5,191,971 A	3/1993	Hakkarainen et al.	
D335,282 S	5/1993	Jurell et al.	
D339,326 S	9/1993	Mayo et al.	
D405,061 S	2/1999	Thomas	
D415,472 S *	10/1999	Kelso et al.	D13/170
D437,584 S	2/2001	Radosavljevic et al.	
D457,145 S *	5/2002	Pagano et al.	D13/169
D457,863 S	5/2002	Jacoby	
D463,382 S	9/2002	Jacoby	

FIG. 2 is a front view thereof.

FIG. 3 is a left side view thereof.

FIG. 4 is a right side view thereof.

FIG. 5 is a top view thereof.

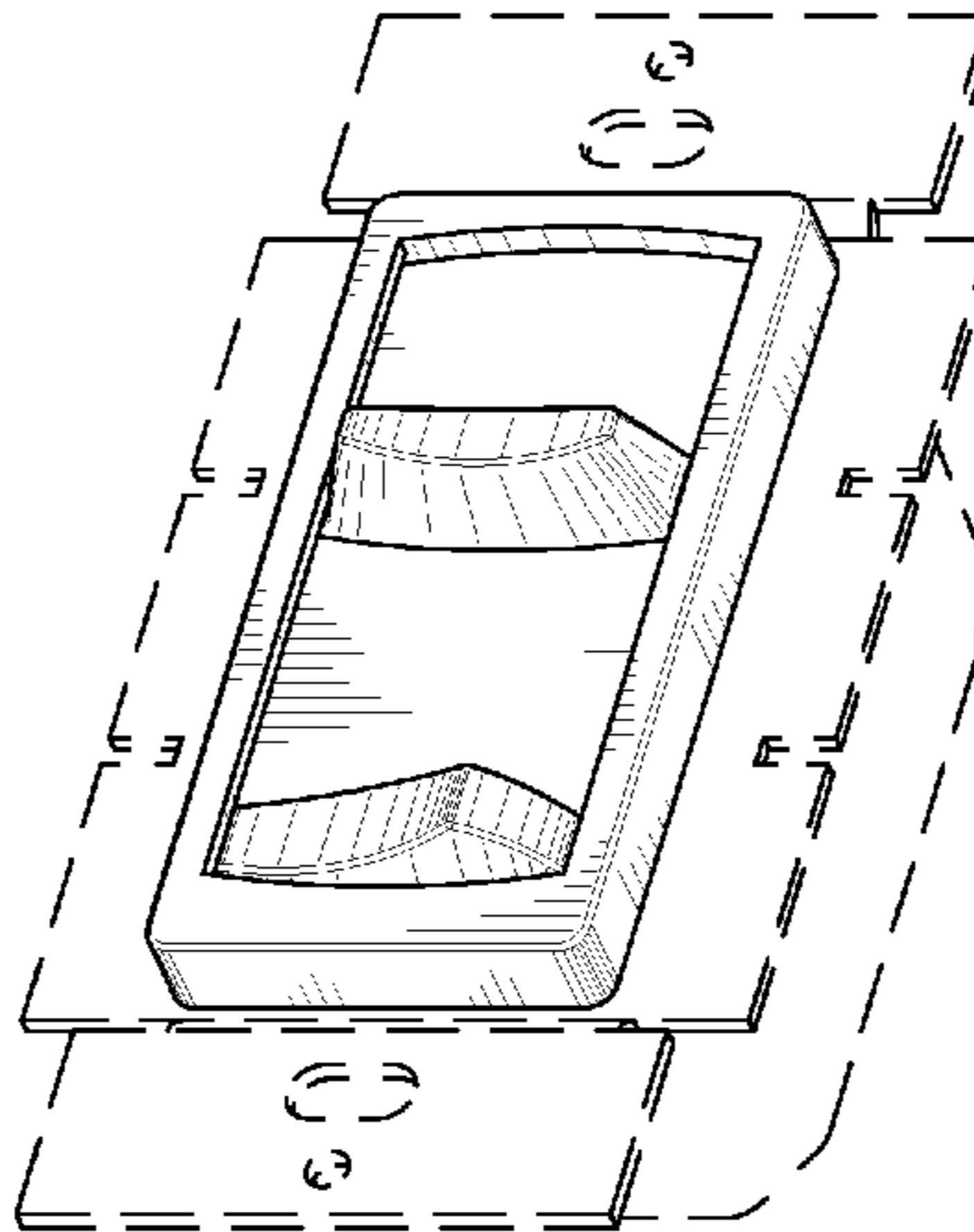
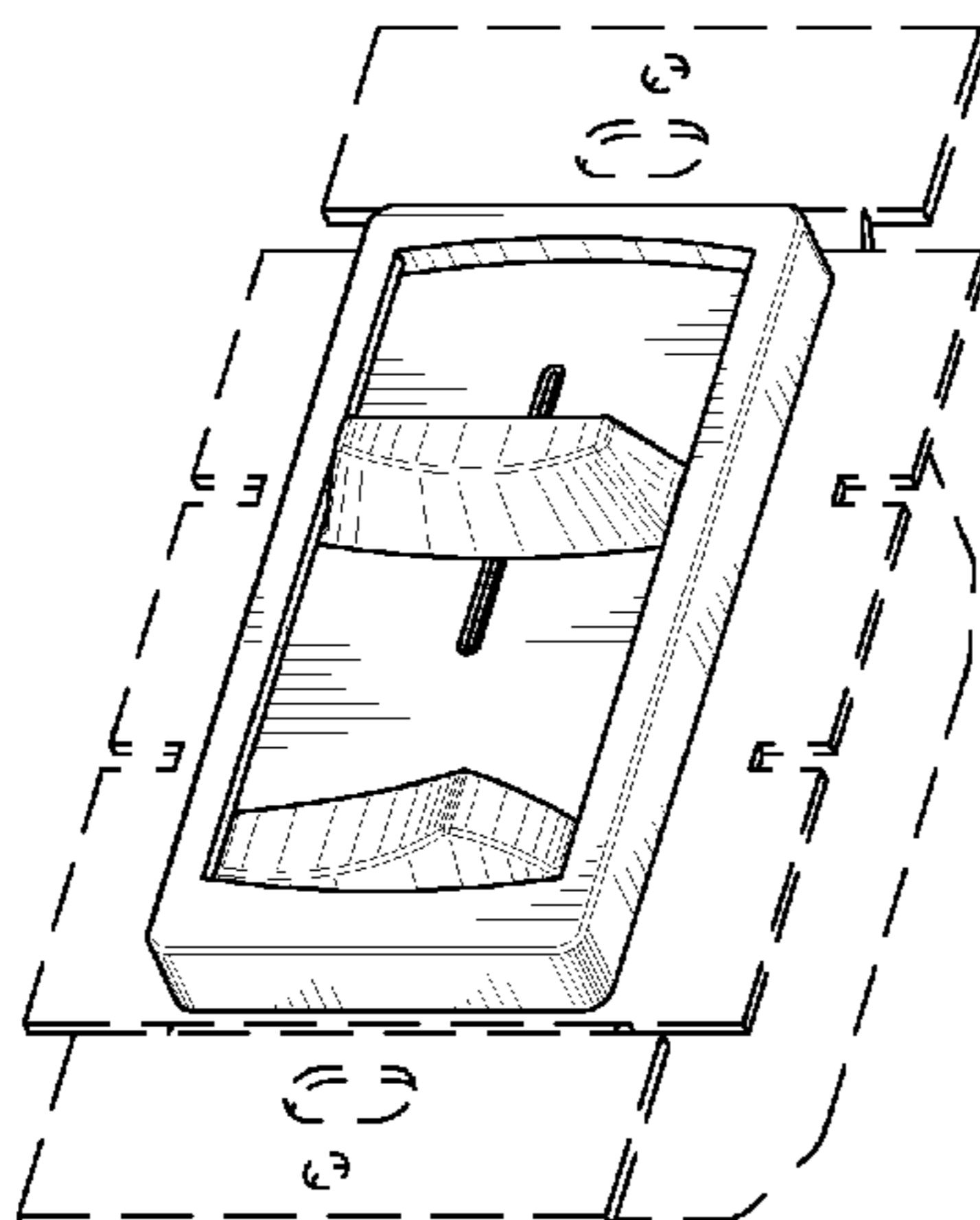
FIG. 6 is a bottom view thereof.

FIG. 7 is a perspective view of a dimmer switch according to
a second embodiment of our new design; and,

FIG. 8 is a front view thereof, the left side, right side, top, and
bottom views, respectively, of the second embodiment being
identical to the left side, right side, top, and bottom views of
the first embodiment.

The rear views form no part of the design and are omitted. The
portions of the drawings appearing in broken line are for
environment only and do not form a part of the claimed
design.

1 Claim, 6 Drawing Sheets



US D600,656 S

Page 2

U.S. PATENT DOCUMENTS

6,727,446 B1 * 4/2004 Mayo et al. 200/296
D533,843 S 12/2006 Larson et al.
D533,844 S 12/2006 Larson et al.
D539,235 S 3/2007 Mayo et al.
D540,267 S 4/2007 Larson et al.
D540,748 S 4/2007 Larson et al.
D541,222 S 4/2007 Mayo et al.
D542,737 S 5/2007 Spira
D543,510 S 5/2007 Larson et al.
D547,731 S 7/2007 Larson et al.
D548,194 S 8/2007 Spira
D558,151 S 12/2007 Spira
D562,260 S 2/2008 Pessina et al.
D566,659 S 4/2008 Spira
7,416,310 B1 * 8/2008 Savicki, Jr. 362/95
D582,863 S * 12/2008 Ni D13/170
D583,336 S * 12/2008 Ni D13/170
2006/0255662 A1 11/2006 Abel

2007/0272535 A1* 11/2007 Sloan et al. 200/550

OTHER PUBLICATIONS

Cooper Wiring Devices, Decorator Slide Dimmers & Fan Speed Controls Sell Sheet, 2007, 2 pages.
Cooper Wiring Devices, Decorator Slide Dimmers & Fan Speed Controls Products Specifications Sheet, 2007, 2 pages.
Cooper Wiring Devices, Lighting Controls Line Card, 2007, 4 pages.
U.S. Appl. No. 29/321,056, filed Jul. 10, 2008, Samuels et al.
U.S. Appl. No. 29/321,060, filed Jul. 10, 2008, Samuels et al.
U.S. Appl. No. 29/323,716, filed Aug. 29, 2008, Samuels et al.
U.S. Appl. No. 29.323,720, filed Aug. 29, 2008, Samuels et al.
U.S. Appl. No. 29/319,567, filed Jun. 11, 2008, Bhate et al.
U.S. Appl. No. 29/319,577, filed Jun. 11, 2008, Bhate et al.
U.S. Appl. No. 29/262,392, filed Jun. 29, 2006, Blair.
Hunt Control Systems Inc., Hunt Dimming Lighting Controls Ordering Guide, 2004, 12 pages.

* cited by examiner

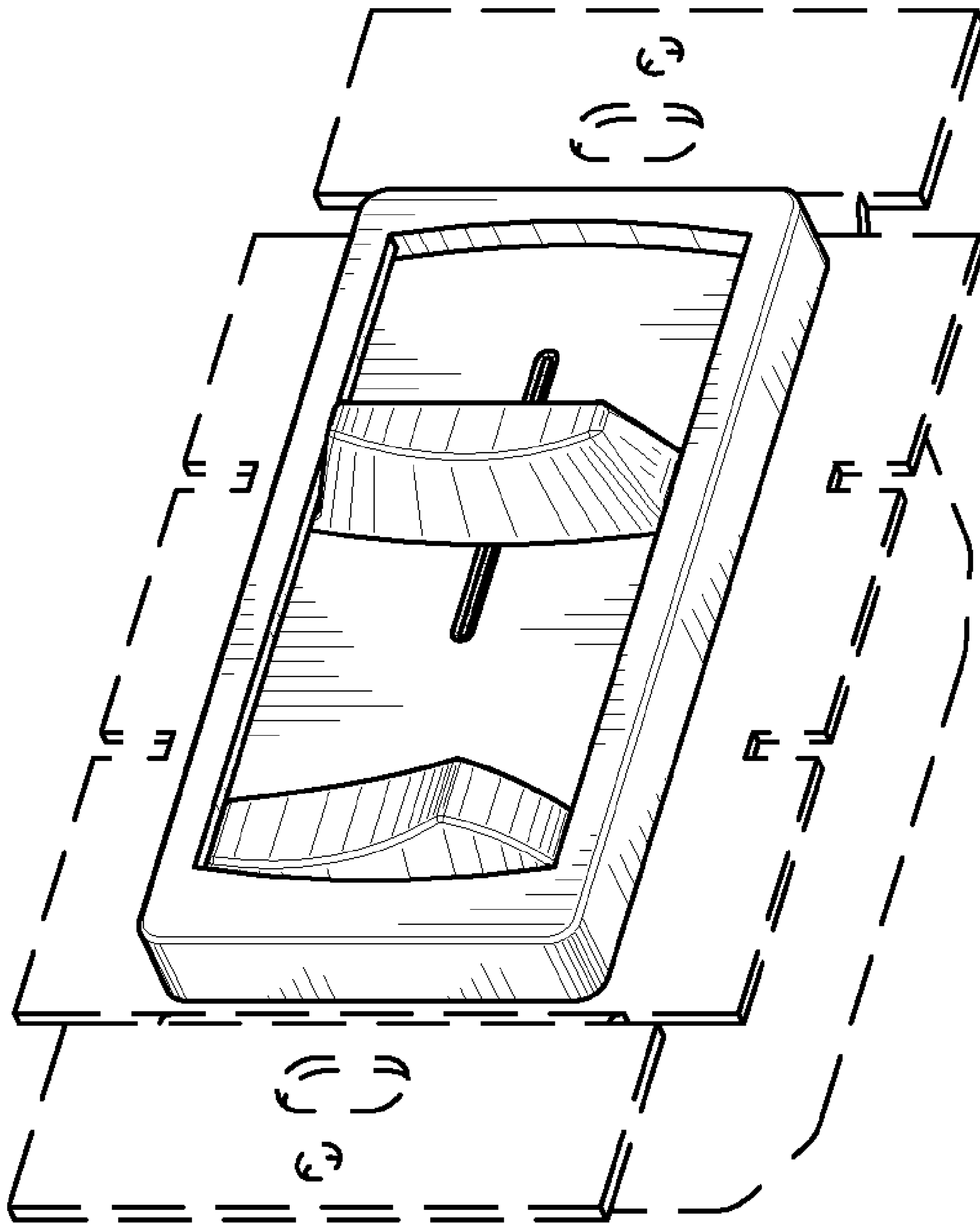


Fig. 1

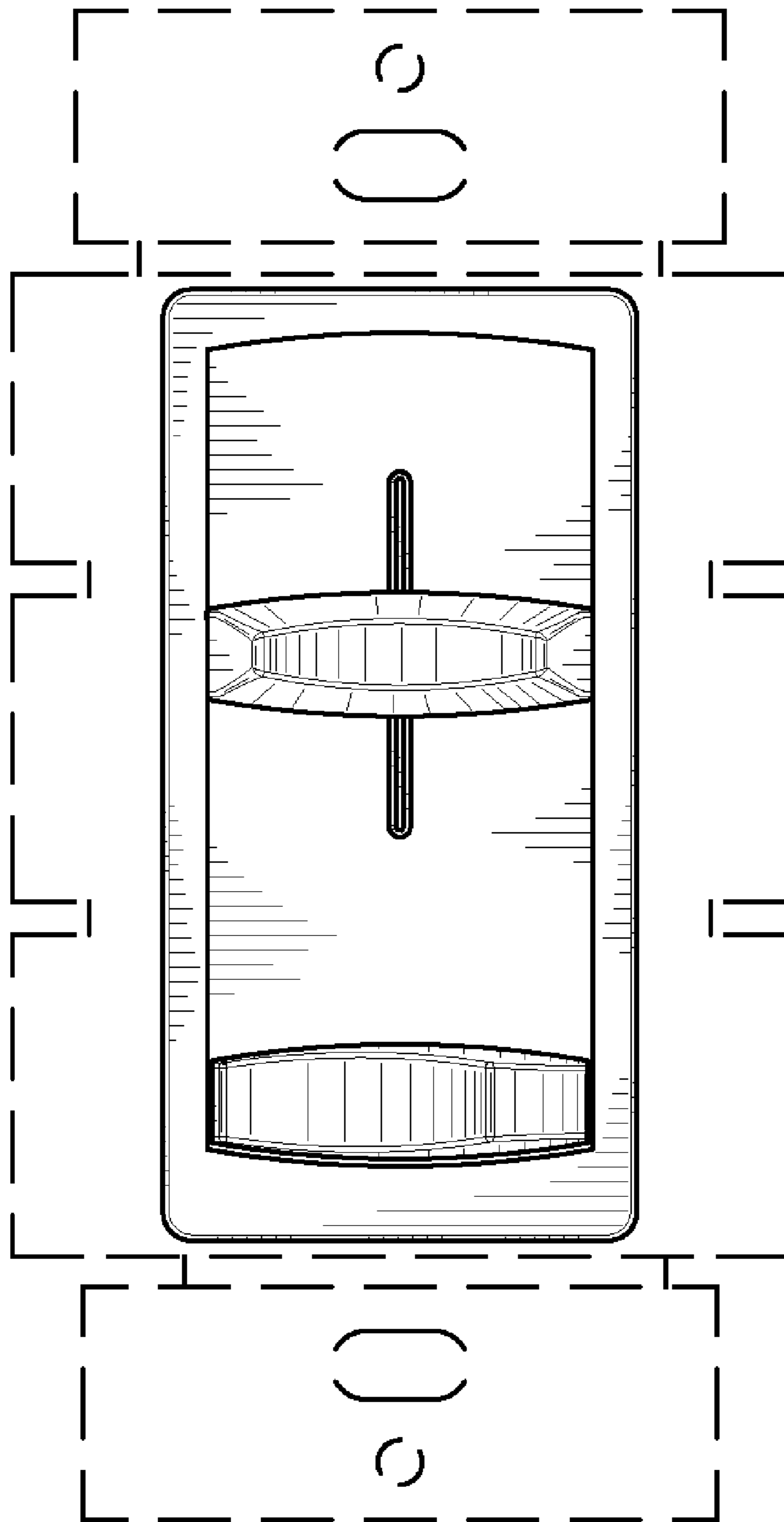


Fig. 2

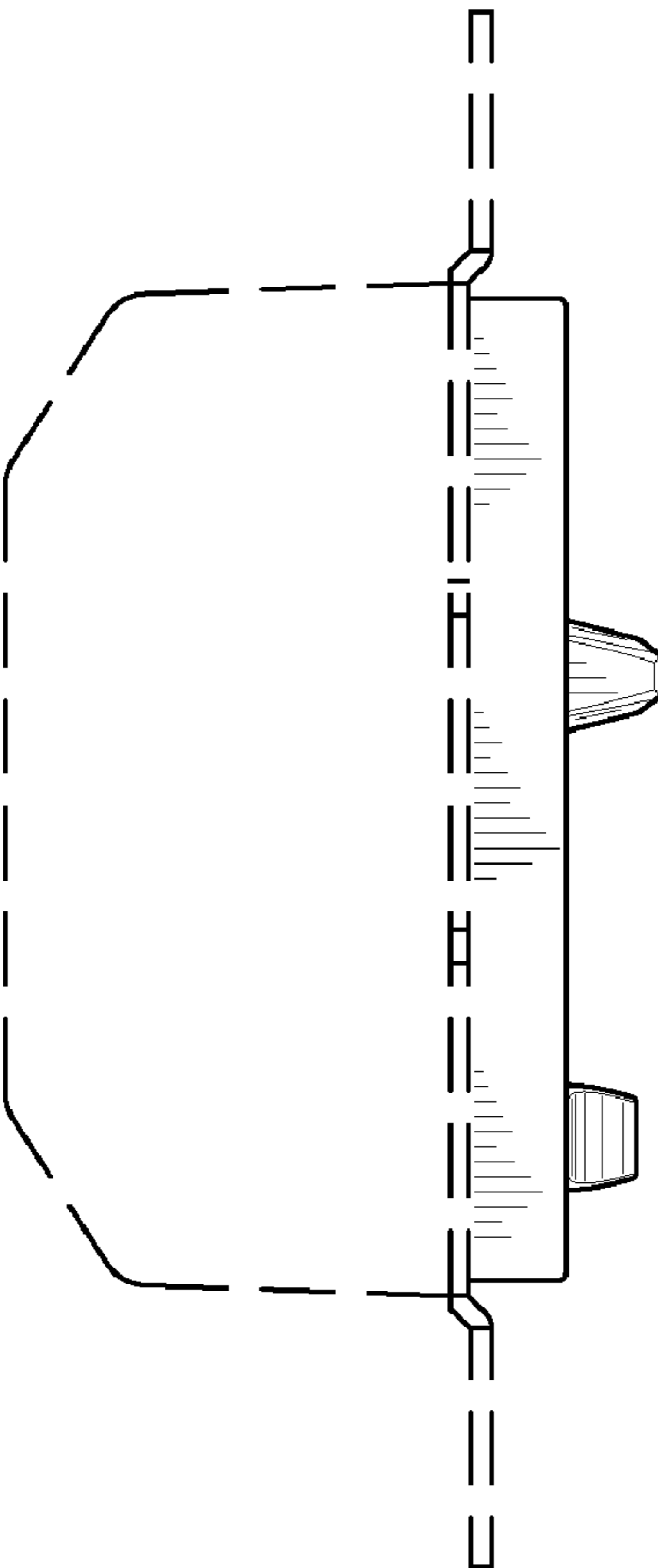


Fig. 3

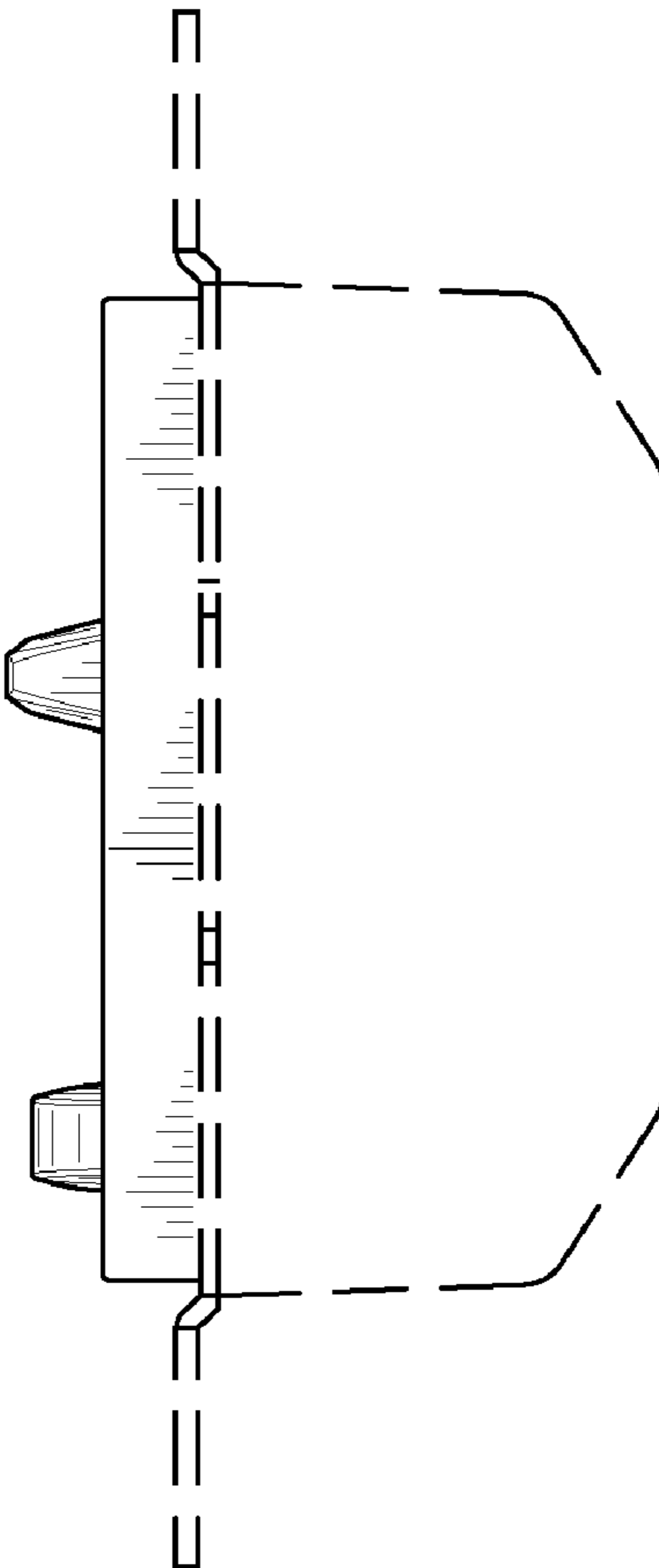


Fig. 4

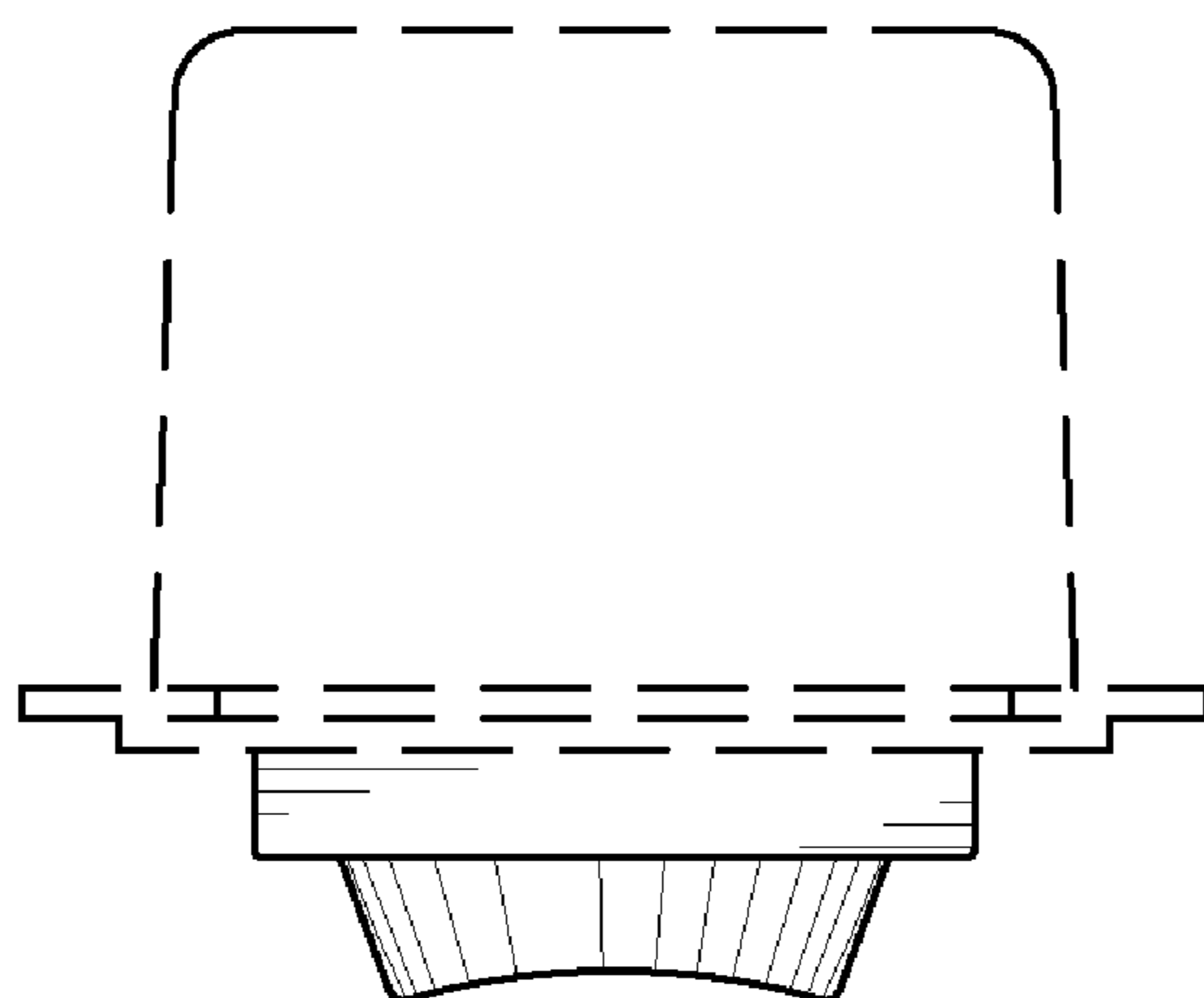


Fig. 5

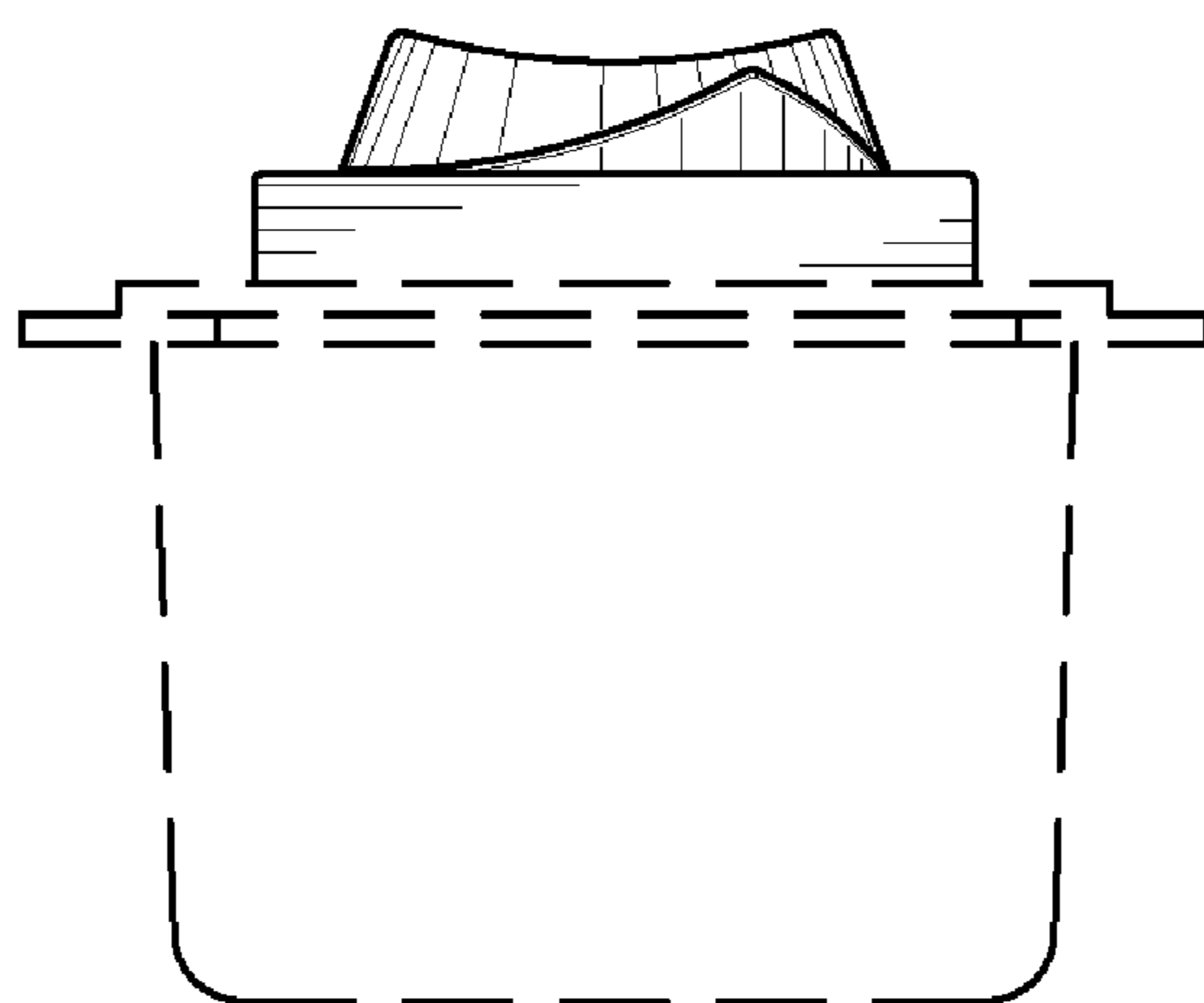


Fig. 6

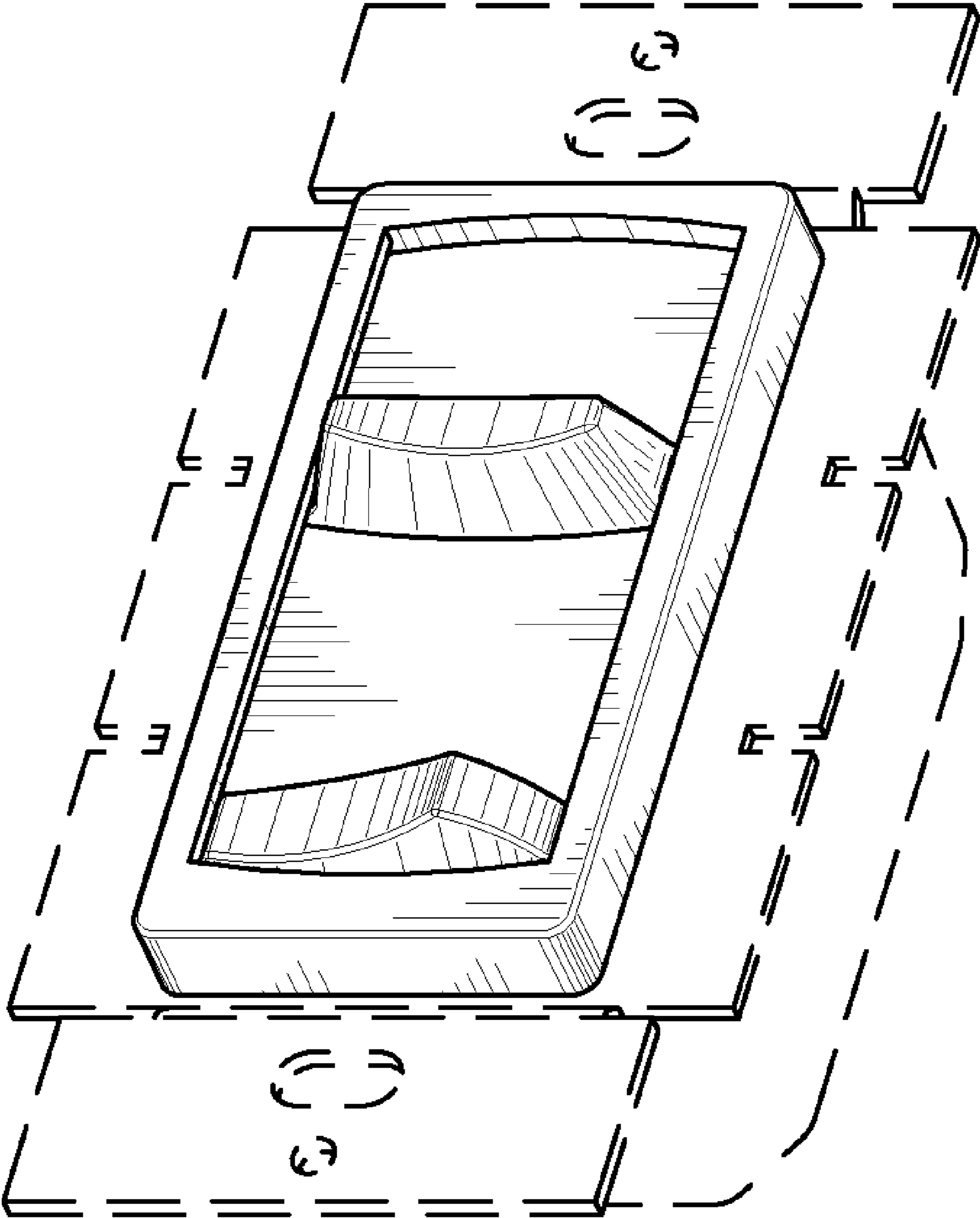


Fig. 7

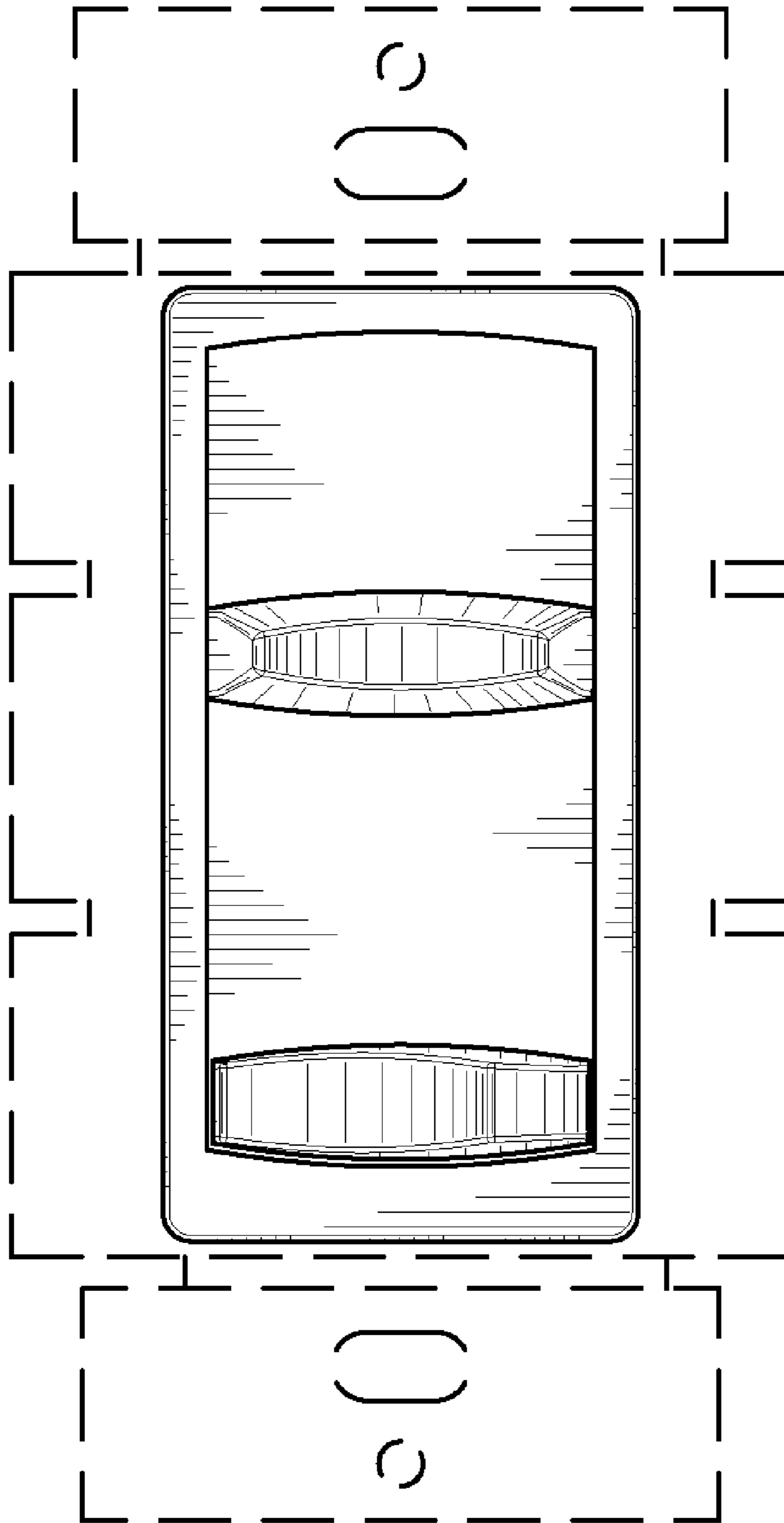


Fig. 8