



US00D600655S

(12) **United States Design Patent**
Miyasaka et al.

(10) **Patent No.:** **US D600,655 S**
(45) **Date of Patent:** **** Sep. 22, 2009**

(54) **SPRING FOR A MANIPULATIVE INPUT DEVICE**

(75) Inventors: **Takeshi Miyasaka**, Kyoto (JP);
Masayuki Tanaka, Kyoto (JP)

(73) Assignee: **Omron Corporation**, Kyoto (JP)

(**) Term: **14 Years**

(21) Appl. No.: **29/282,140**

(22) Filed: **Jul. 12, 2007**

(30) **Foreign Application Priority Data**

Jan. 12, 2007 (JP) 2007-000385

(51) **LOC (9) Cl.** **13-03**

(52) **U.S. Cl.** **D13/173**

(58) **Field of Classification Search** D13/173,
D13/199; 73/753; 200/408, 409, 11 G, 11 H,
200/11 J, 6 C, 16 C, 1 A, 400, 246
See application file for complete search history.

(56) **References Cited**

U.S. PATENT DOCUMENTS

3,133,170 A * 5/1964 Nanninga 200/406
4,822,959 A * 4/1989 Schwab 200/5 A

5,728,982 A * 3/1998 Rao et al. 200/6 R
6,369,692 B1 * 4/2002 Van Zeeland 338/200
D468,707 S * 1/2003 Wu et al. D13/173
6,556,112 B1 * 4/2003 Van Zeeland et al. 335/205
2006/0278011 A1 * 12/2006 Miyasaka et al. 73/753

* cited by examiner

Primary Examiner—Selina Sikder

(74) *Attorney, Agent, or Firm*—Harness, Dickey & Pierce

(57) **CLAIM**

The ornamental design for a spring for manipulative input device, as shown and described.

DESCRIPTION

FIG. 1 is a top and front perspective view of a spring for manipulative input device showing our new design;
FIG. 2 is a bottom and front perspective view thereof;
FIG. 3 is a front elevational view thereof;
FIG. 4 is a top plan view thereof;
FIG. 5 is a bottom plan view thereof; and,
FIG. 6 is a right side view thereof.

1 Claim, 3 Drawing Sheets

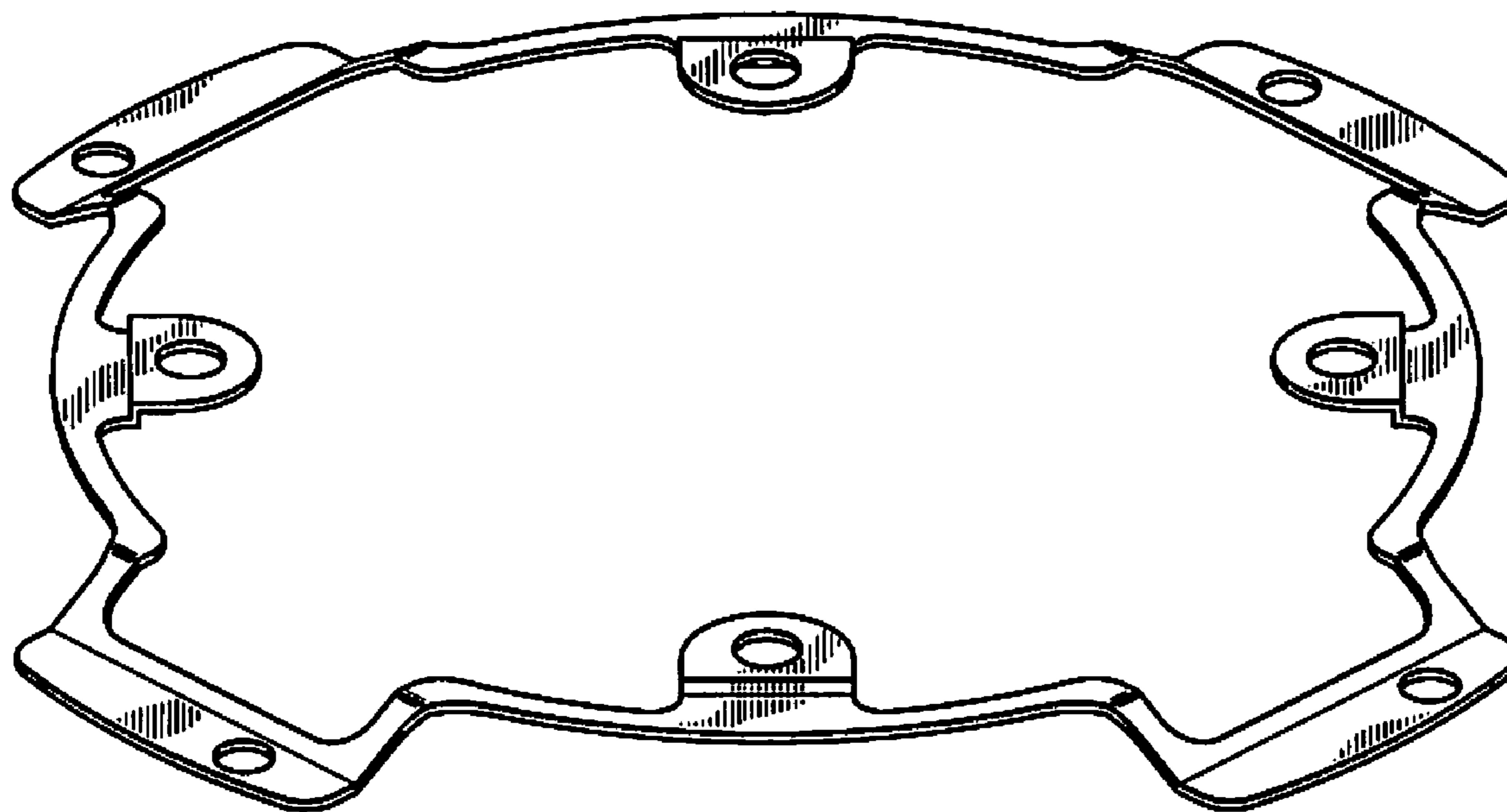


Fig. 1

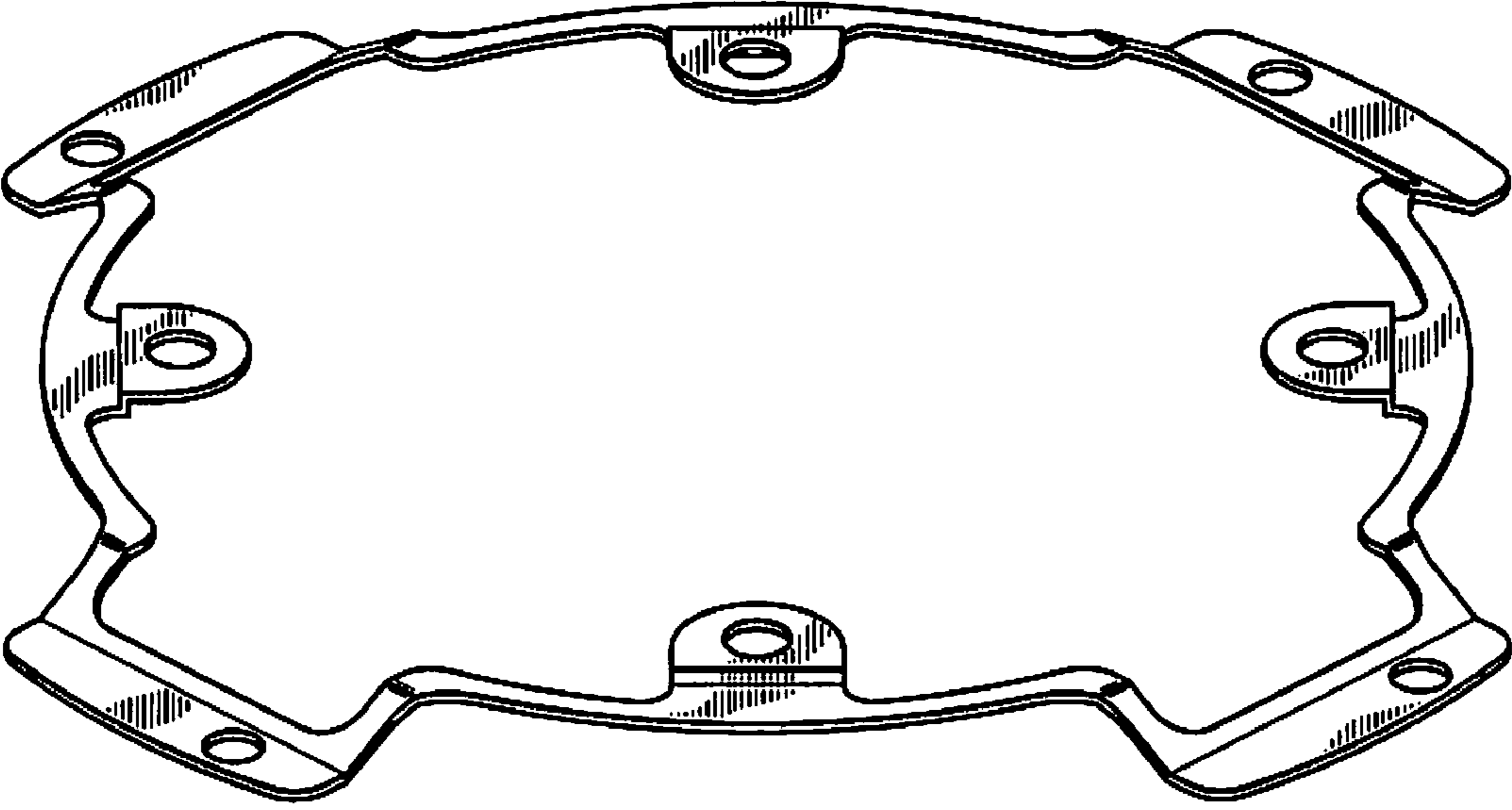


Fig. 2

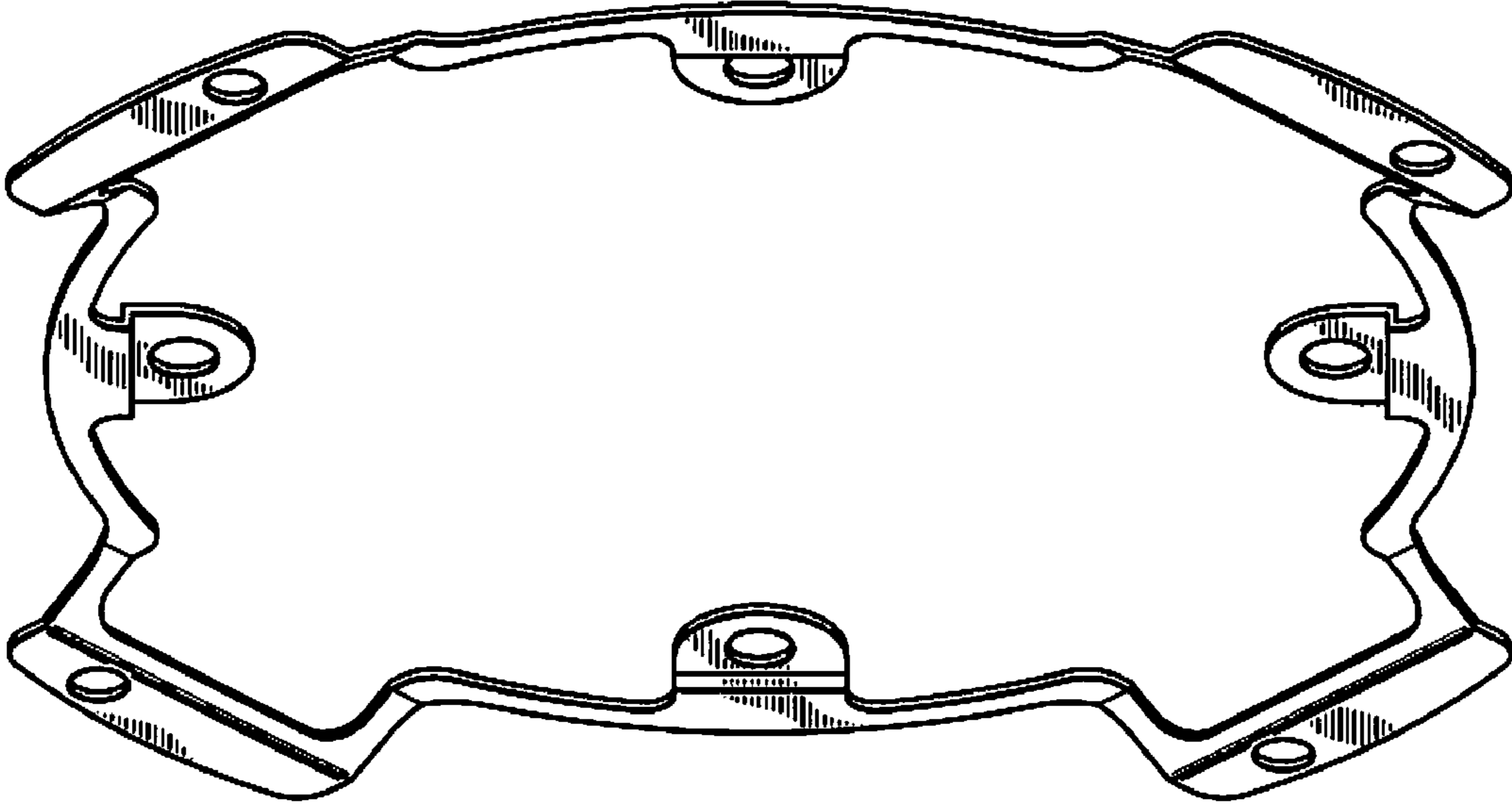


Fig. 3



Fig. 4

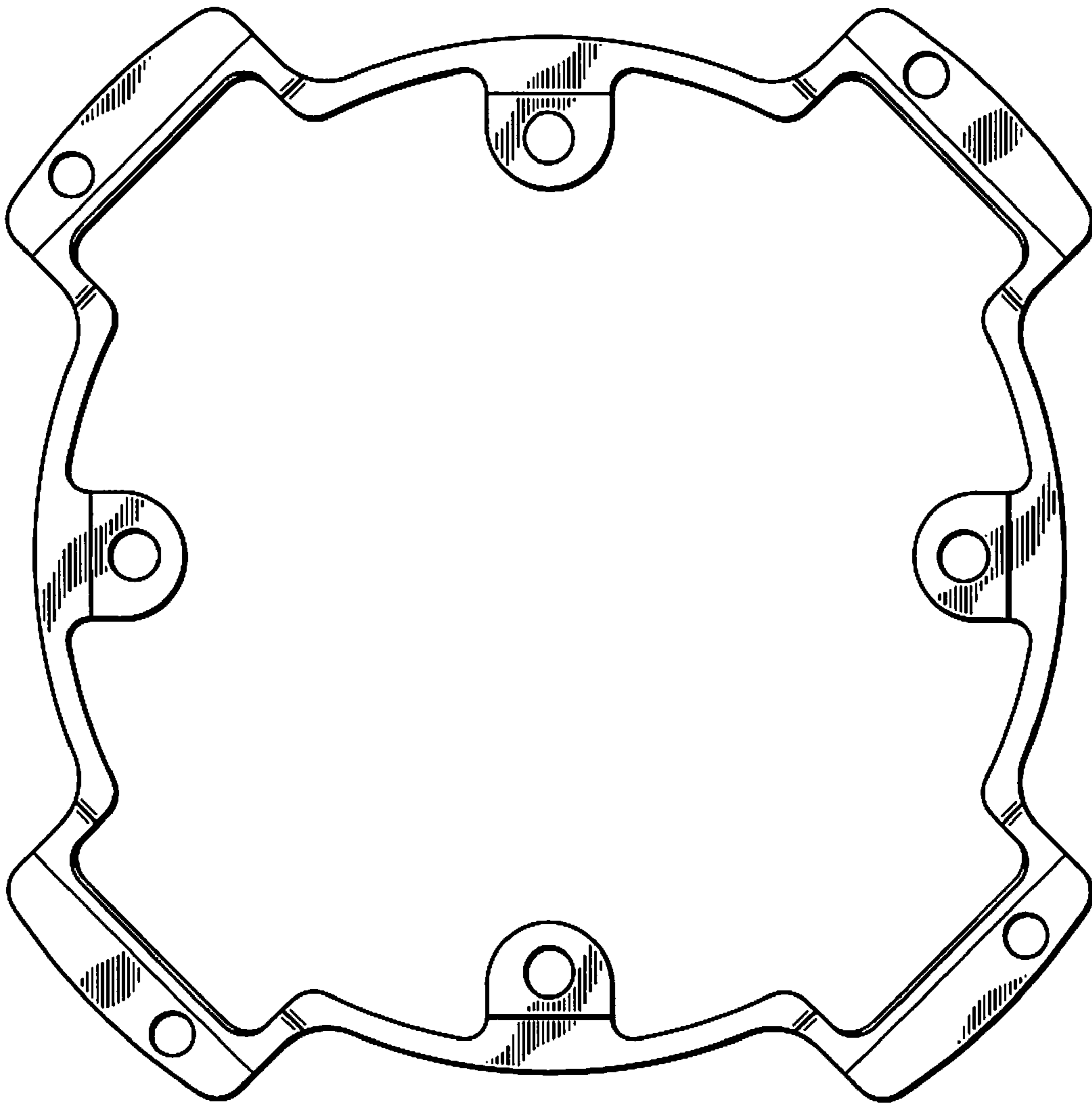


Fig. 5

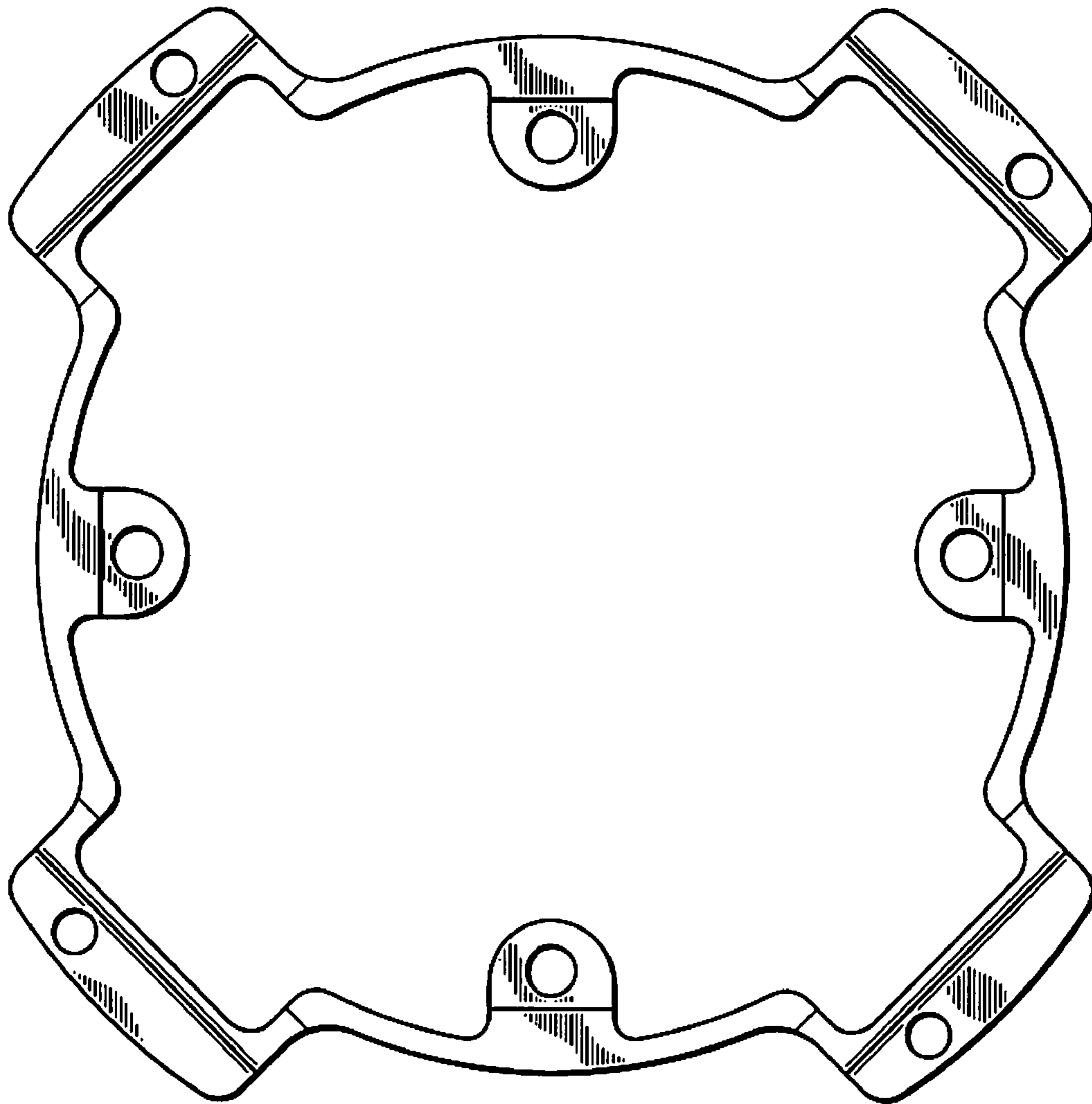


Fig. 6

