



US00D600654S

(12) **United States Design Patent**  
**Liao**

(10) **Patent No.:** **US D600,654 S**

(45) **Date of Patent:** **\*\* Sep. 22, 2009**

(54) **CONTROL BOX**

(75) Inventor: **Li-Fen Liao**, Taichung (TW)

(73) Assignee: **Hiwin Mikrosystem Corp.**, Taichung (TW)

(\*\*) Term: **14 Years**

(21) Appl. No.: **29/313,216**

(22) Filed: **Dec. 17, 2008**

(51) **LOC (9) Cl.** ..... **13-03**

(52) **U.S. Cl.** ..... **D13/168; D13/164**

(58) **Field of Classification Search** ..... D13/152,  
D13/158-168, 177, 184; D14/218, 247;  
D10/104, 106; 340/825.22, 825.24, 825.25,  
340/825.31, 825.36, 825.69, 825.72; 341/20,  
341/22, 23, 34, 176; 345/156, 158, 169;  
348/734; 455/92, 95, 100, 128, 151.1-151.4,  
455/352-355; 463/39; 700/17, 19, 20, 65,  
700/83; 701/2

See application file for complete search history.

(56) **References Cited**

**U.S. PATENT DOCUMENTS**

D354,751 S \* 1/1995 Hersh et al. .... D14/218  
D443,596 S \* 6/2001 Ohkuma ..... D13/168

D519,988 S \* 5/2006 Tanaka ..... D14/218  
D521,985 S \* 5/2006 Thibado ..... D14/218  
7,151,237 B2 \* 12/2006 Mahoney et al. .... 200/512  
D572,205 S \* 7/2008 Landerholm et al. .... D13/168  
D592,158 S \* 5/2009 Peterson et al. .... D13/168  
2008/0024439 A1 \* 1/2008 Kukita ..... 345/156

\* cited by examiner

*Primary Examiner*—Daniel D Bui

*Assistant Examiner*—Thomas J Johannes

(74) *Attorney, Agent, or Firm*—Charles E. Baxley

(57) **CLAIM**

The ornamental design for a control box, as shown.

**DESCRIPTION**

FIG. 1 is a front perspective view of a control box showing my new design;

FIG. 2 is a front elevational view thereof;

FIG. 3 is a rear elevational view thereof;

FIG. 4 is a left side elevational view thereof;

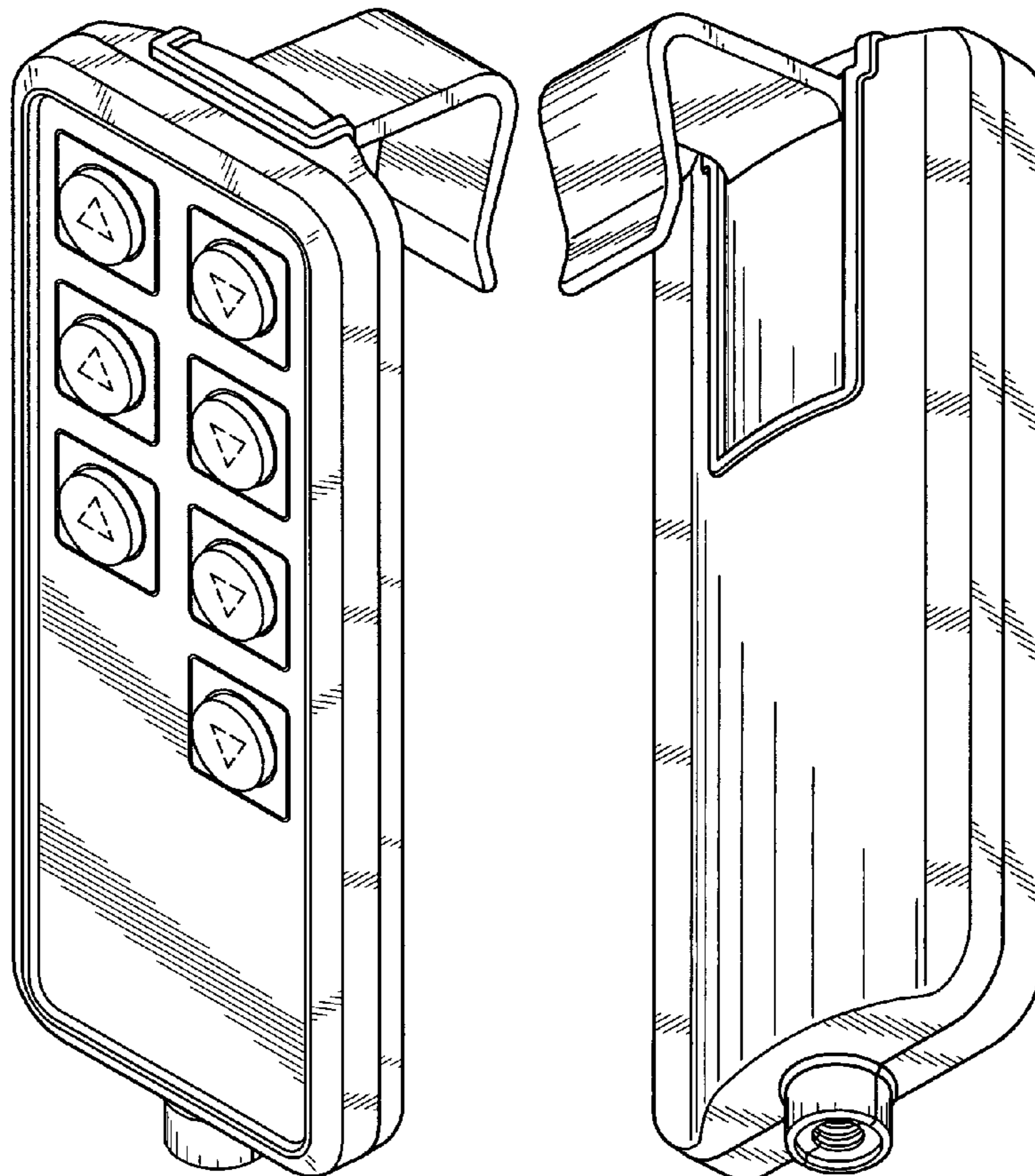
FIG. 5 is a right side elevational view thereof;

FIG. 6 is a top plan view thereof; and

FIG. 7 is a bottom plan view thereof; and

FIG. 8 is a rear perspective view thereof.

**1 Claim, 5 Drawing Sheets**



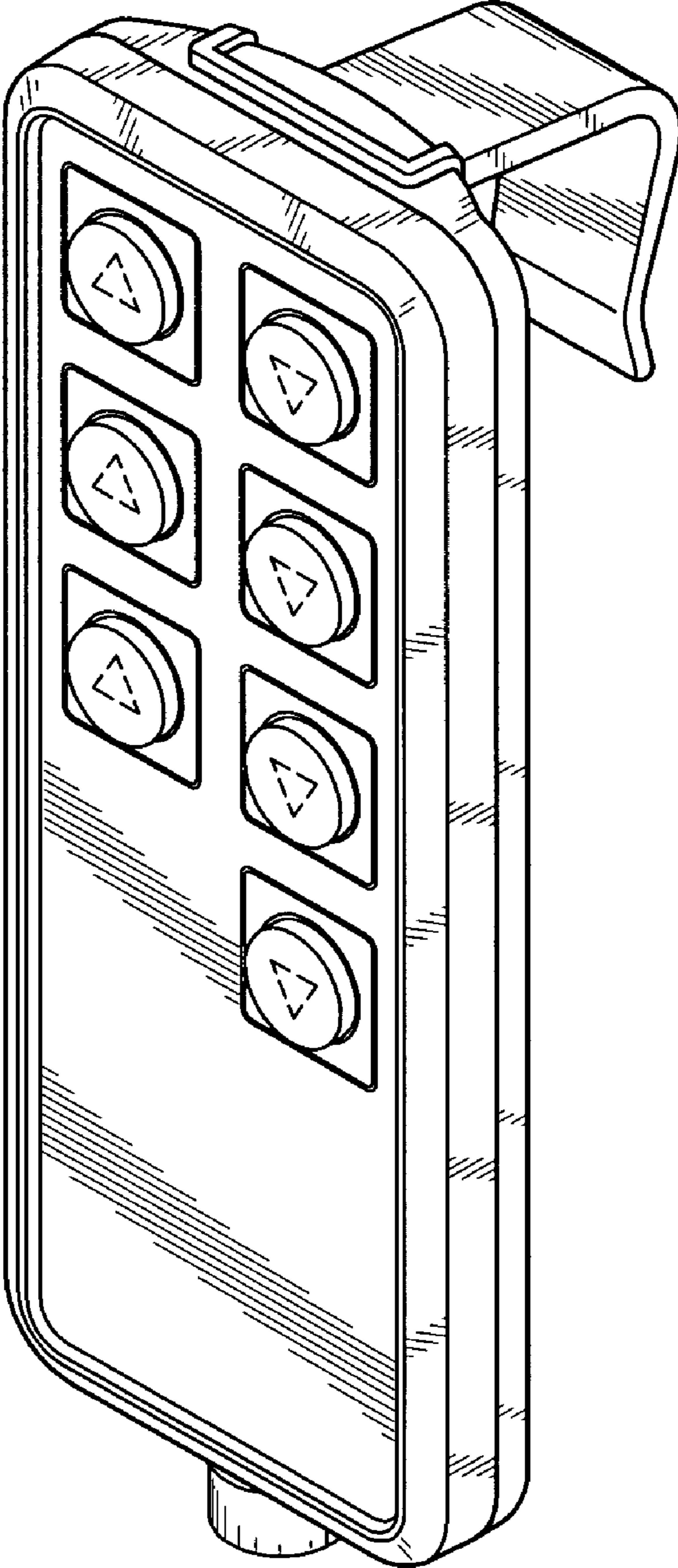


FIG. 1

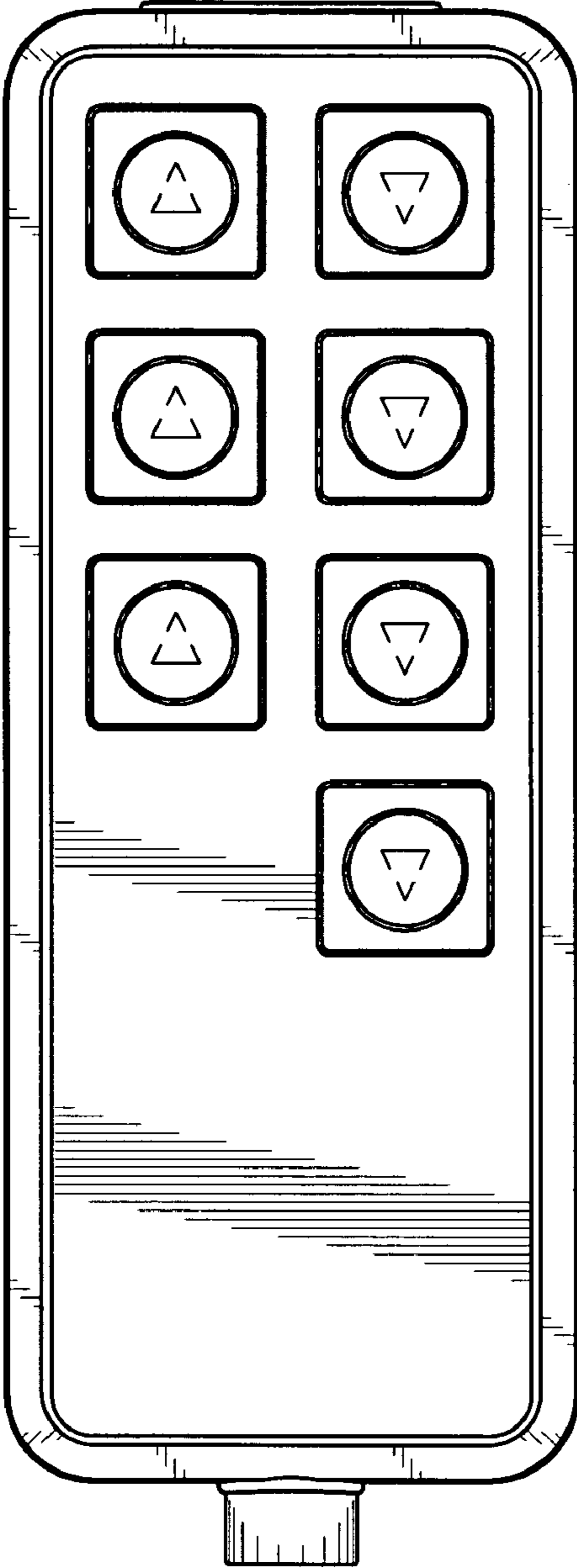


FIG. 2

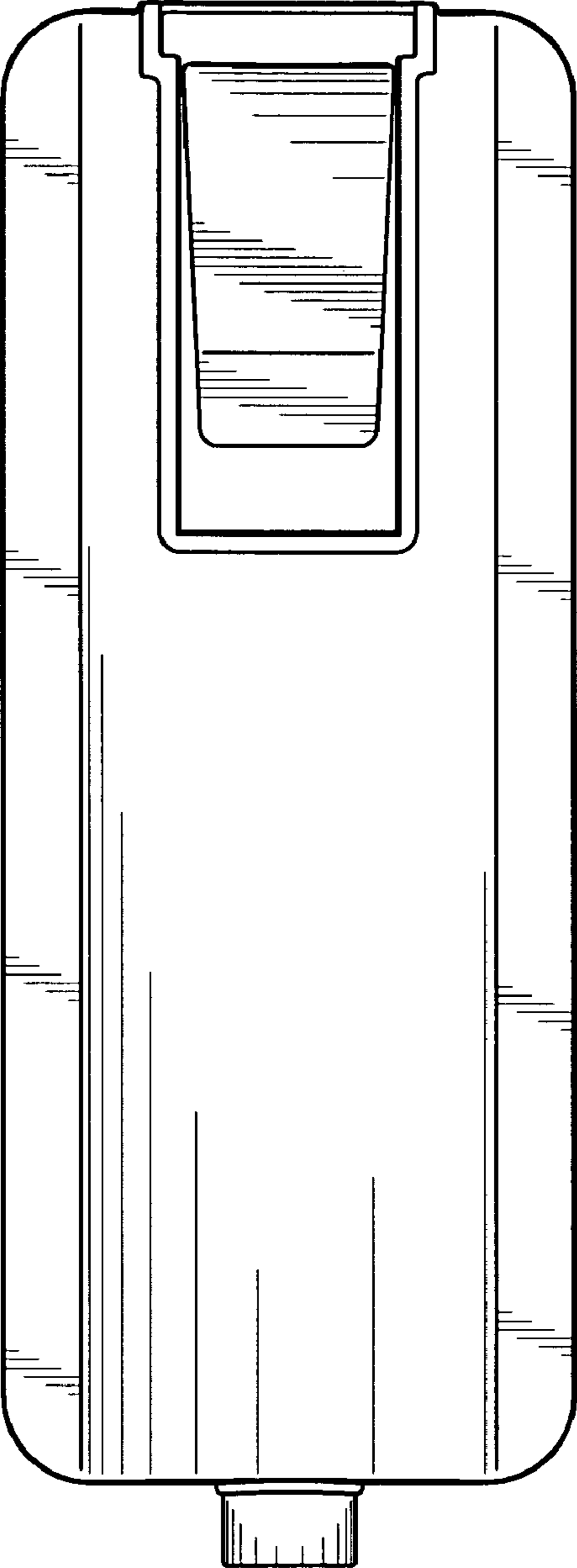


FIG. 3

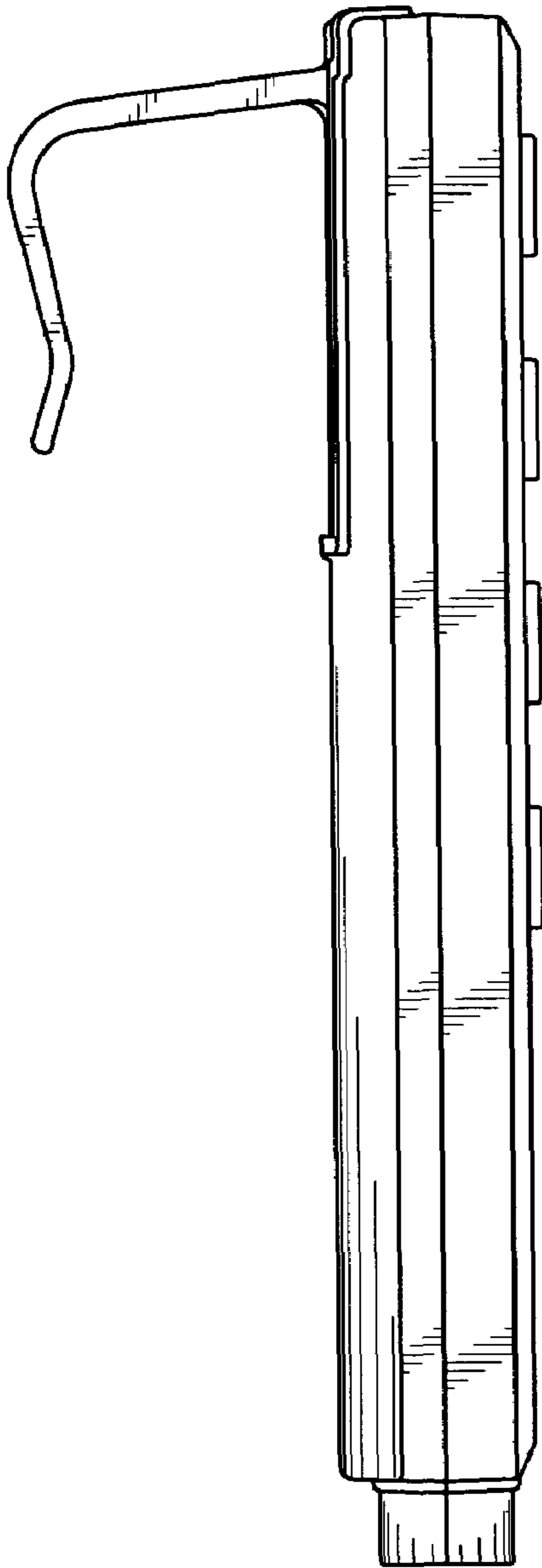


FIG. 4

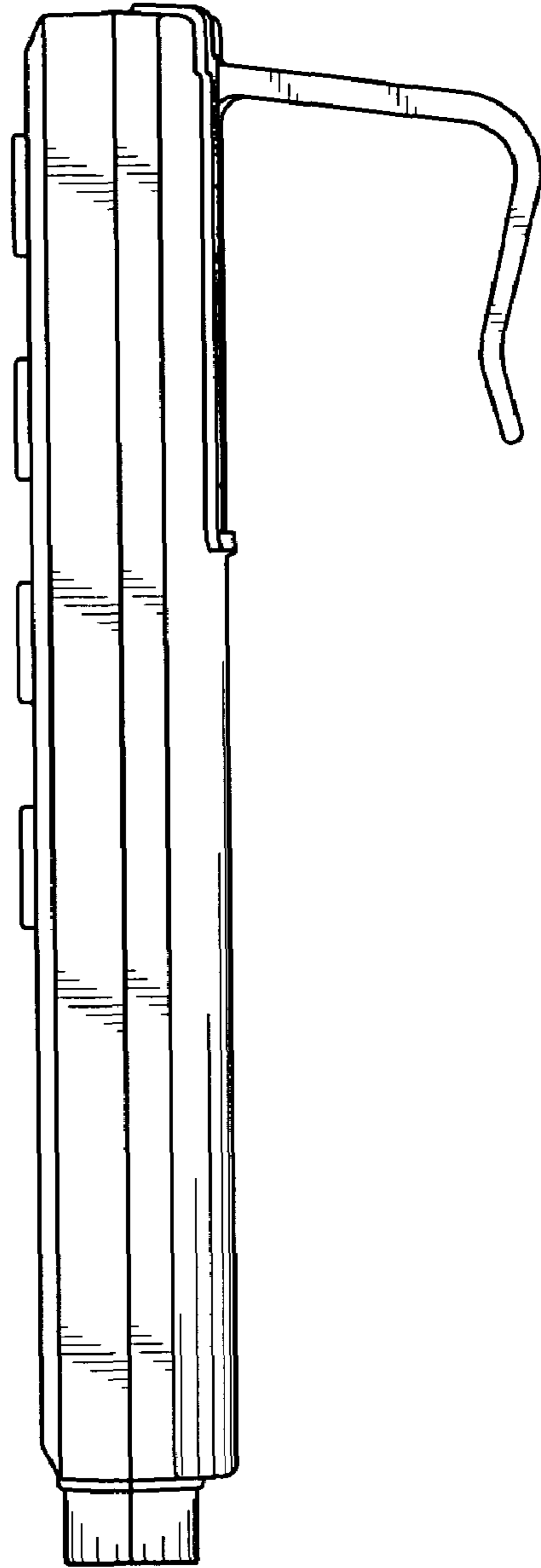


FIG. 5

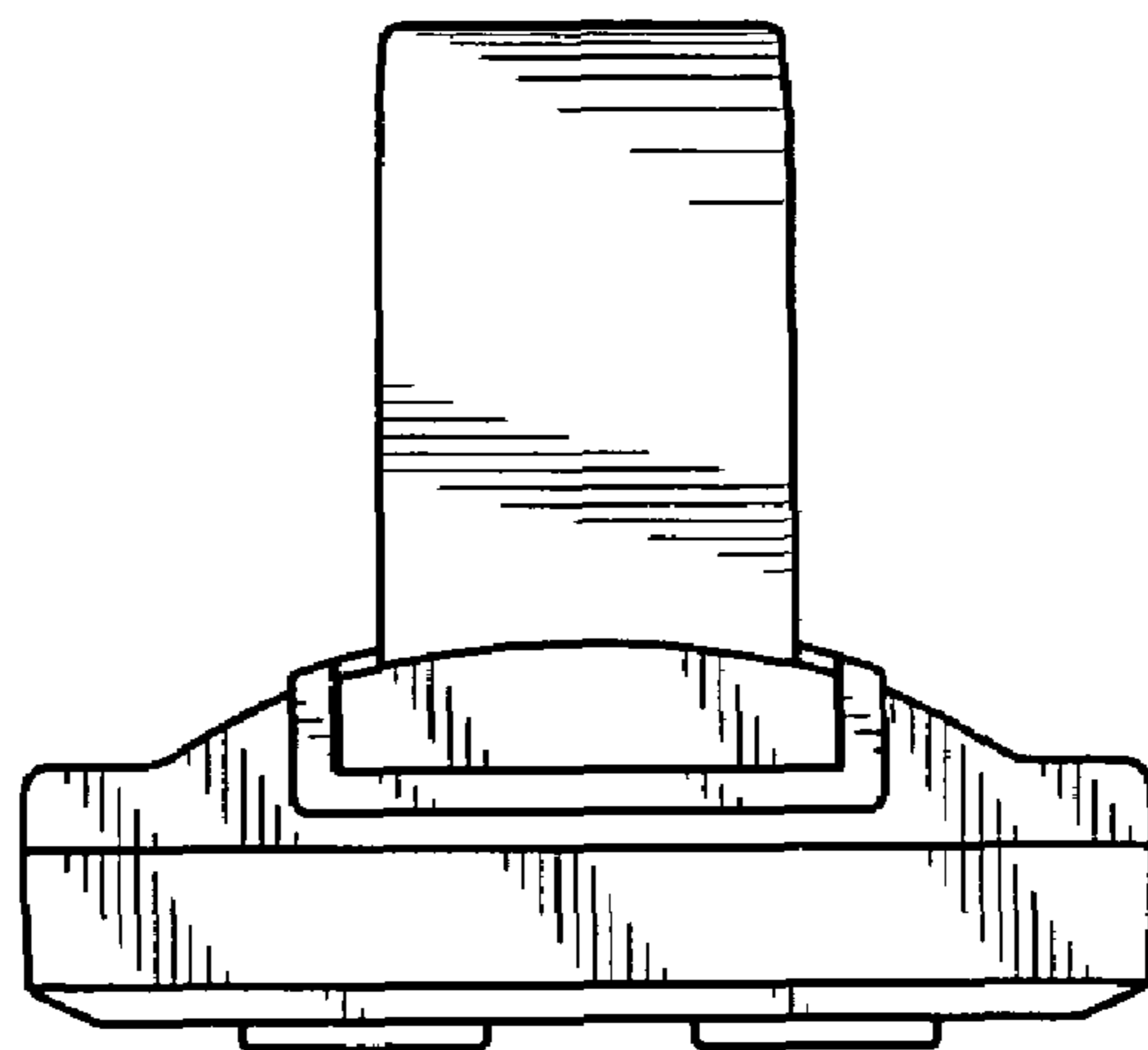


FIG. 6

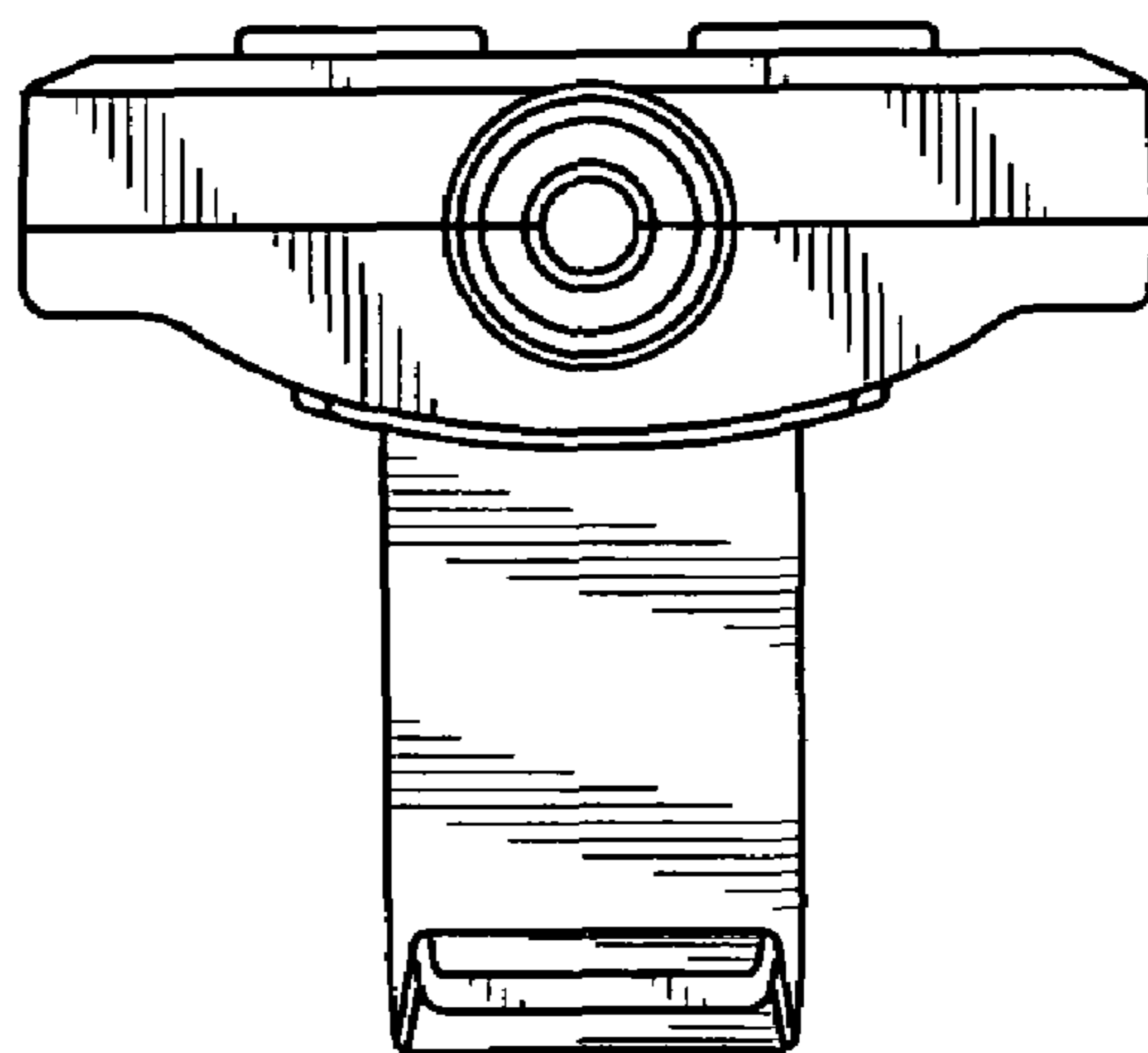


FIG. 7

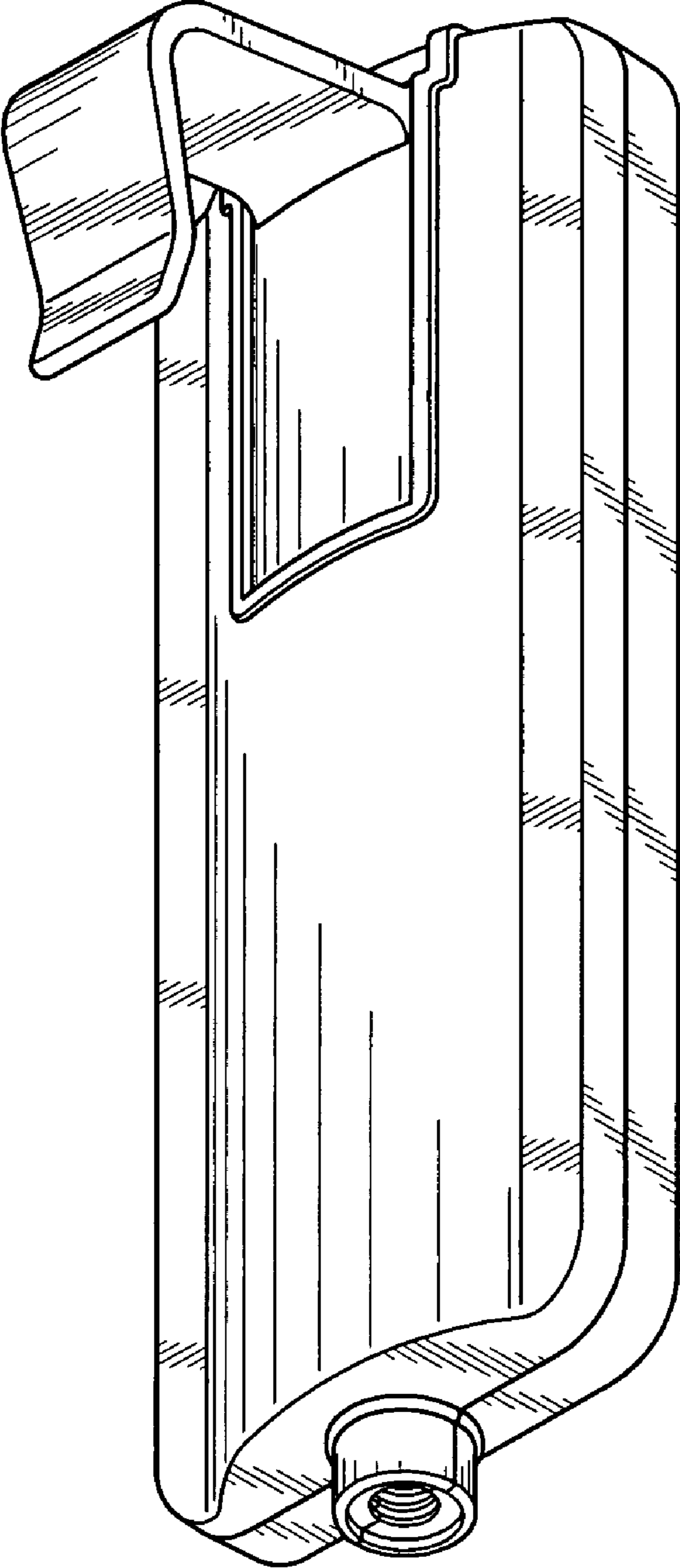


FIG. 8