

US00D600653S

(12) **United States Design Patent**
Lin et al.

(10) **Patent No.:** **US D600,653 S**

(45) **Date of Patent:** **** Sep. 22, 2009**

(54) **CONTROL BOX**

(75) Inventors: **Tai-Hung Lin**, Taichung (TW); **Li-Fen Liao**, Taichung (TW)

(73) Assignee: **Hiwin Mikrosystem Corp.**, Taichung (TW)

(**) Term: **14 Years**

(21) Appl. No.: **29/313,252**

(22) Filed: **Dec. 18, 2008**

(51) **LOC (9) Cl.** **13-03**

(52) **U.S. Cl.** **D13/164**

(58) **Field of Classification Search** D13/162, D13/164, 177, 184, 199; D14/218, 247, D14/100, 115; D10/104, 106; 340/825.22, 340/825.24, 825.25, 825.31, 825.3, 825.69, 340/825.72; 341/20, 22, 23, 34, 176; 345/156, 345/158, 169; 348/734; 455/92, 95, 100, 455/128, 151.1–151.4, 352–355; 463/39; 700/17, 19, 20, 65, 83; 701/2; 200/5 R, 200/5 A; D18/6, 7, 11; 361/600, 622, 625, 361/627, 680, 681, 686, 728, 730
See application file for complete search history.

(56) **References Cited**

U.S. PATENT DOCUMENTS

D251,485 S * 4/1979 Stockdale D10/121
D294,016 S * 2/1988 Vance D13/164

D381,633 S * 7/1997 Hiyakumoto et al. D13/162
D416,232 S * 11/1999 Einck D13/152
D518,794 S * 4/2006 Hedderich et al. D13/164
D559,710 S * 1/2008 Jacoby et al. D10/49

* cited by examiner

Primary Examiner—Daniel D Bui

Assistant Examiner—Thomas J Johannes

(74) *Attorney, Agent, or Firm*—Charles E. Baxley

(57) **CLAIM**

The ornamental design for a control box, as shown and described.

DESCRIPTION

FIG. 1 is a front perspective view of a control box showing our new design;

FIG. 2 is a front elevational view thereof;

FIG. 3 is a rear elevational view thereof;

FIG. 4 is a left side elevational view thereof;

FIG. 5 is a right side elevational view thereof;

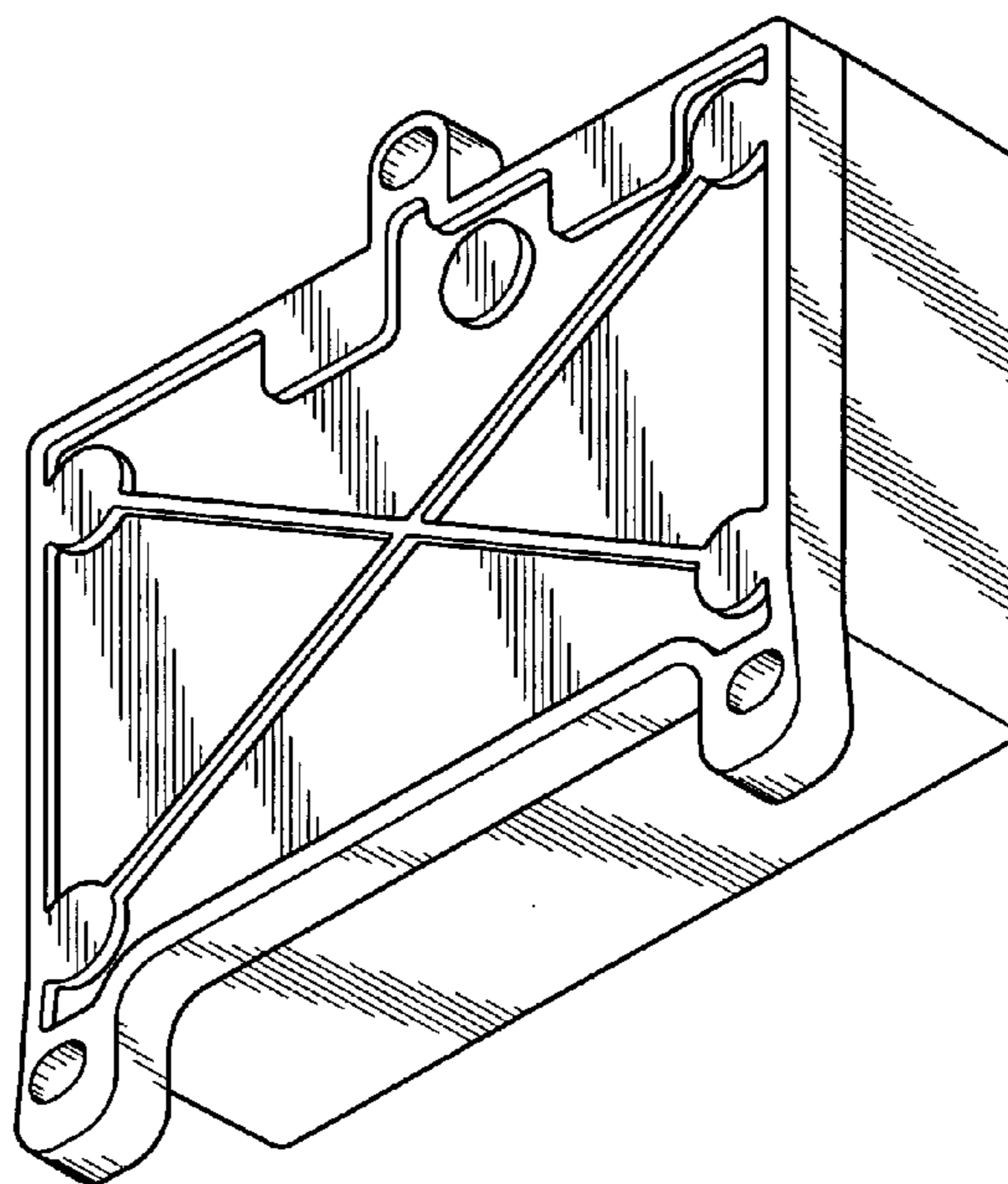
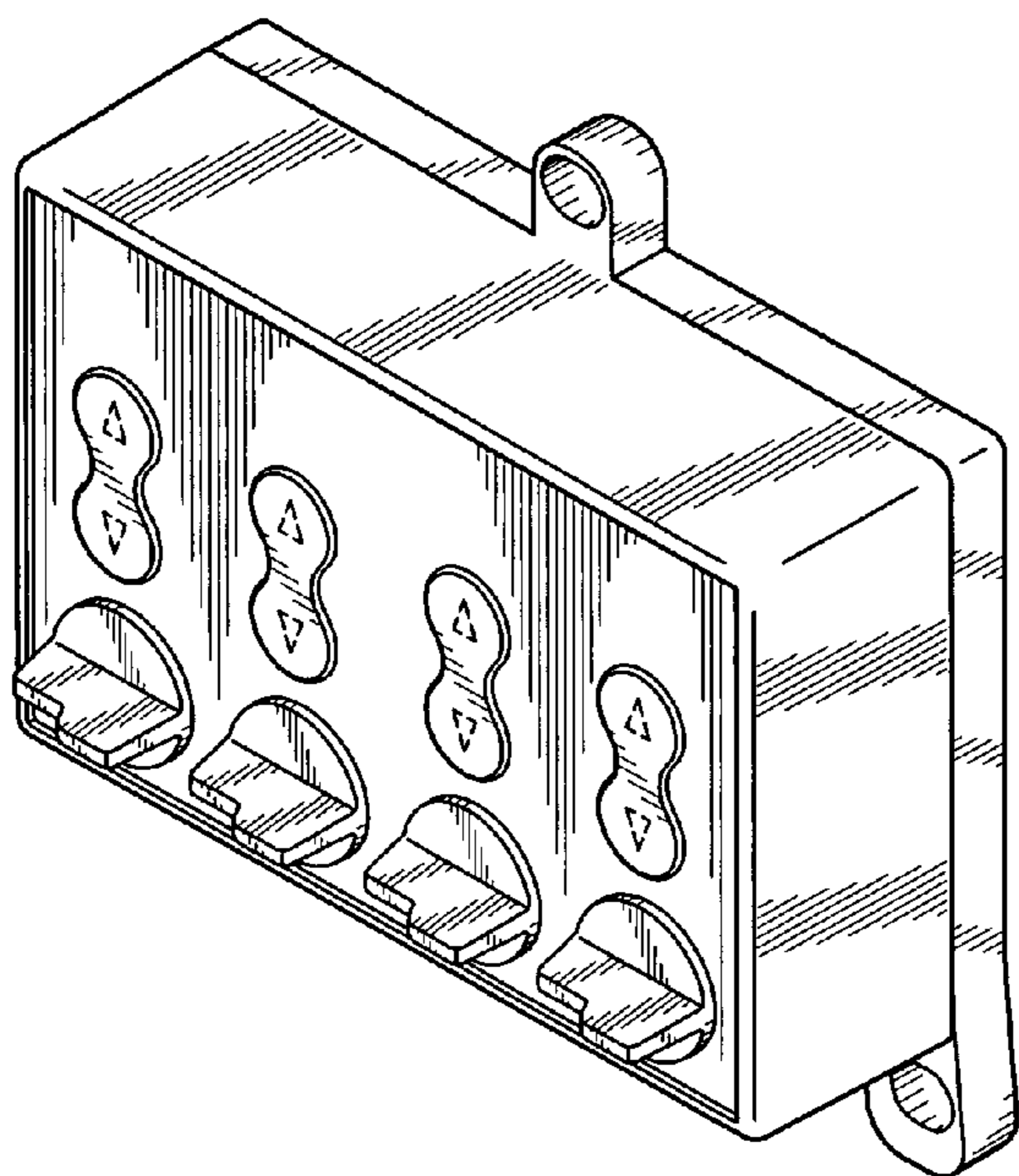
FIG. 6 is a top plan view thereof;

FIG. 7 is a bottom plan view thereof; and,

FIG. 8 is a rear perspective view thereof.

The broken line showing of unclaimed indicia on the control buttons in FIGS. 1 and 2 forms no part of the claimed design.

1 Claim, 5 Drawing Sheets



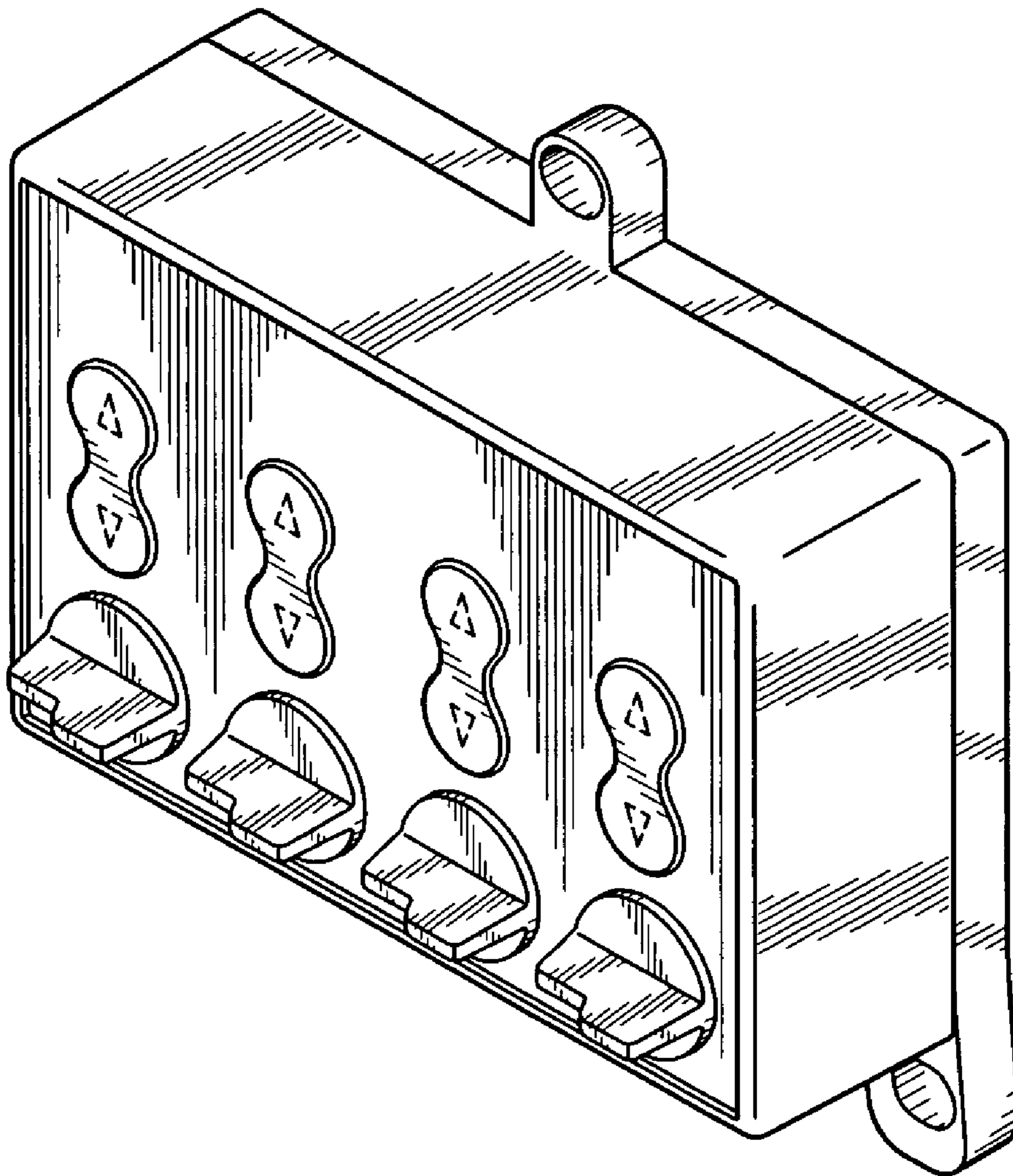


FIG. 1

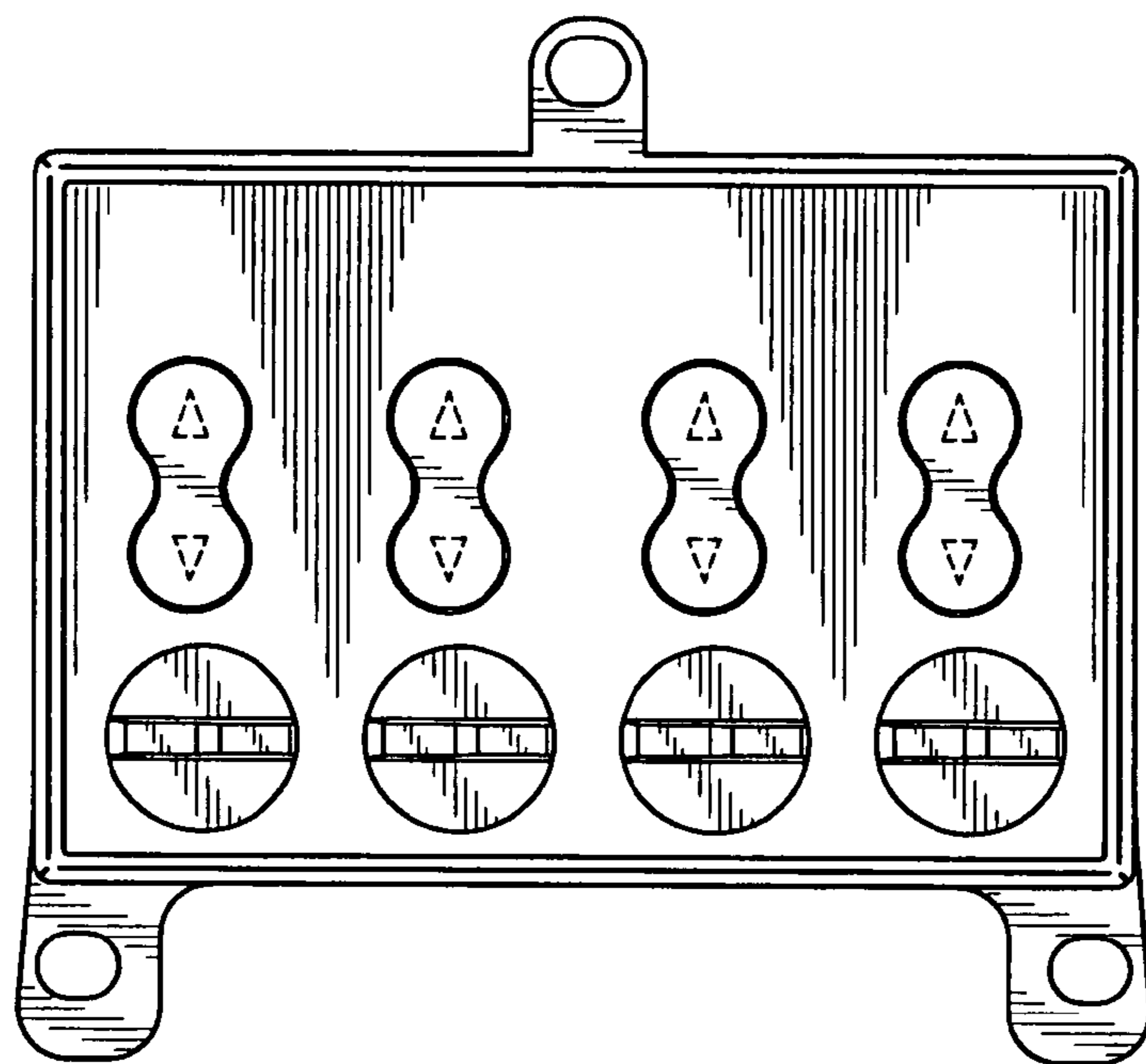


FIG. 2

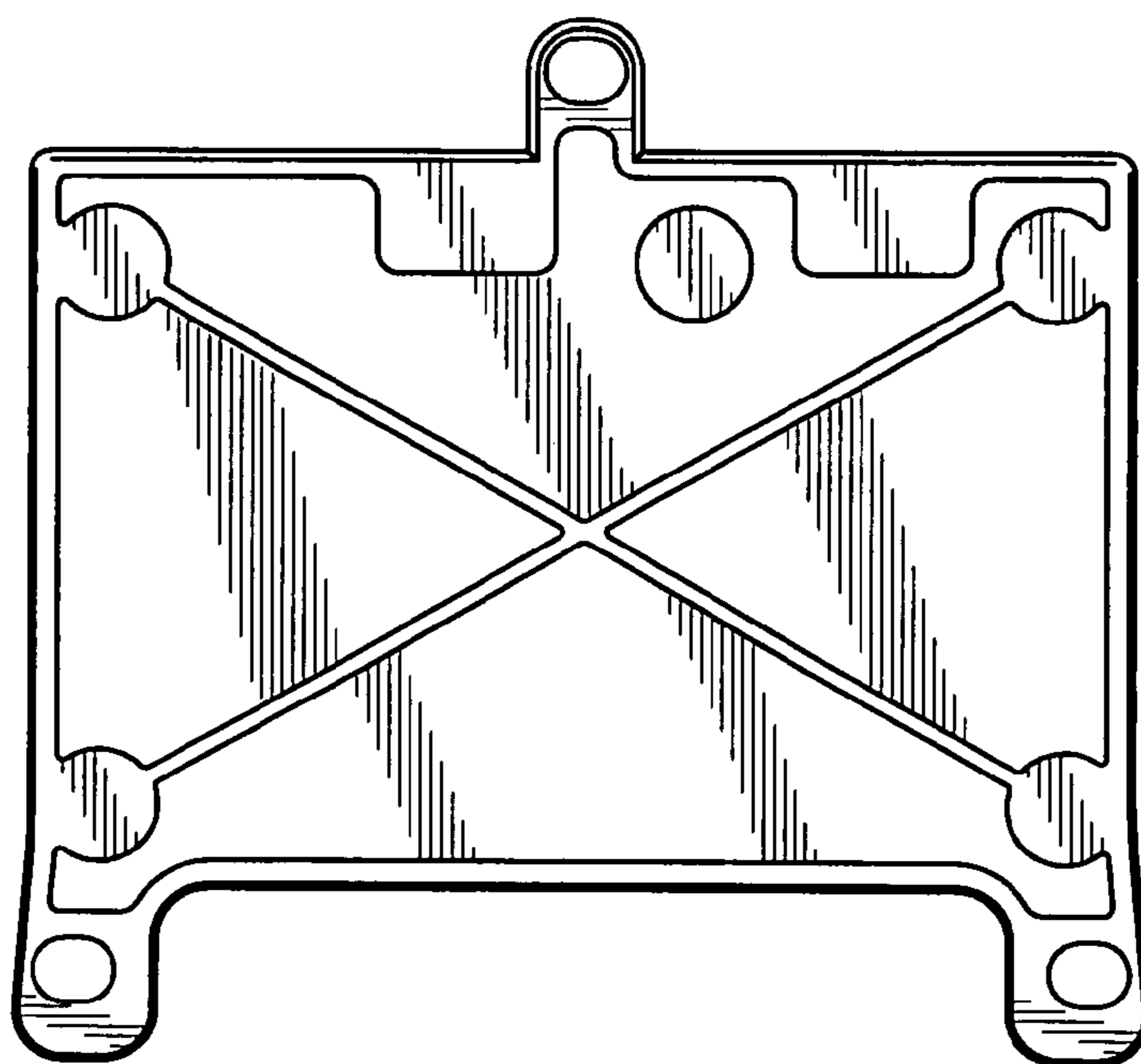


FIG. 3

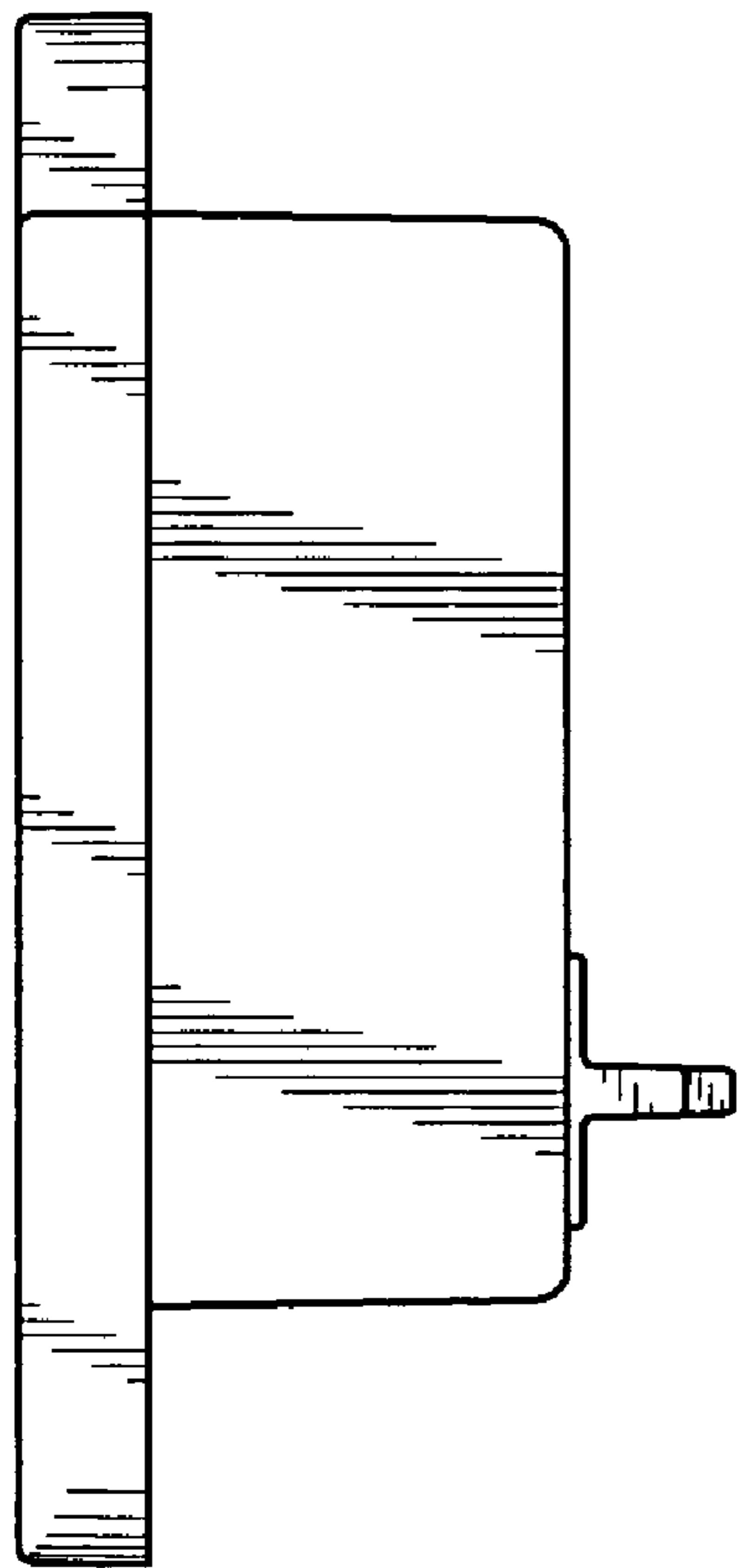


FIG. 4

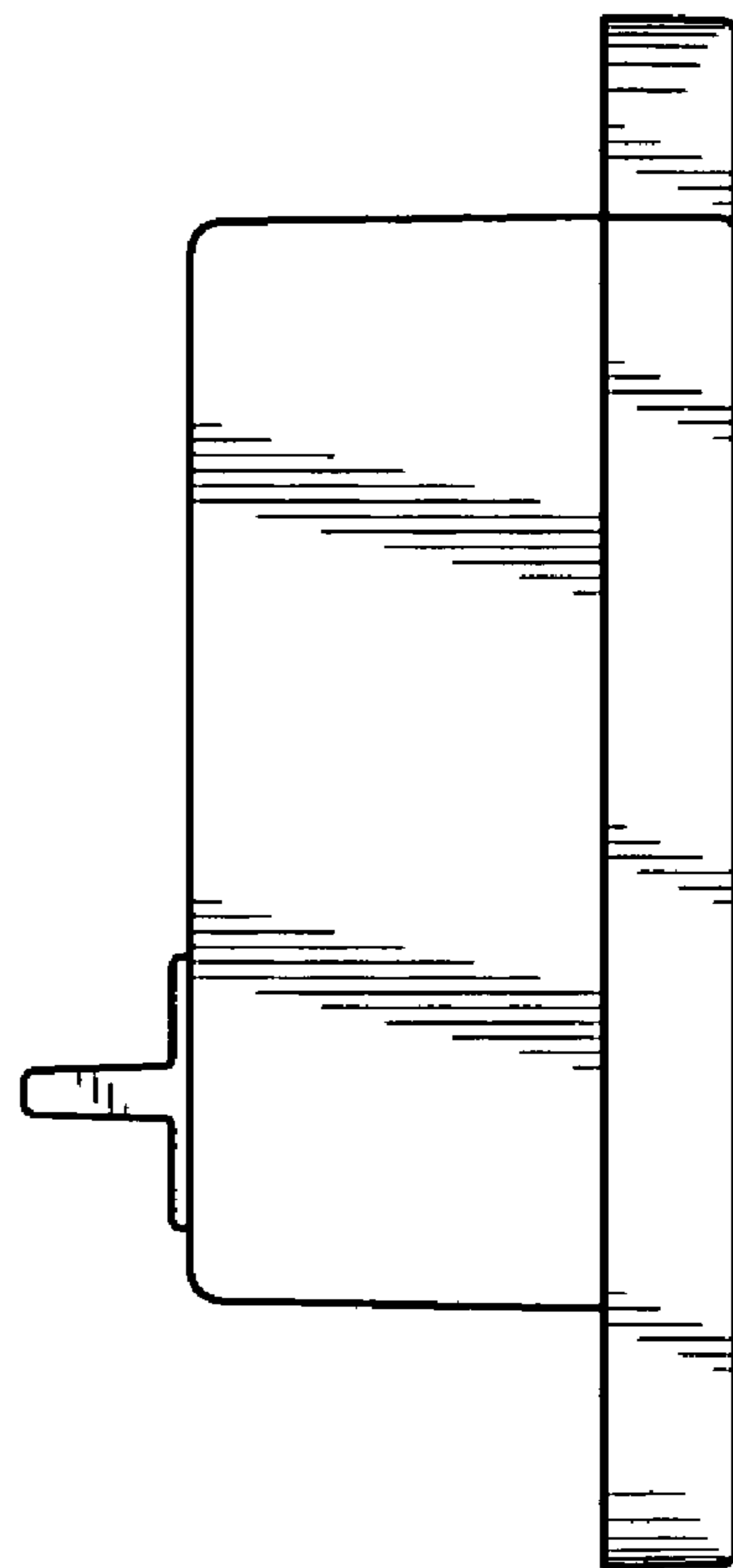


FIG. 5

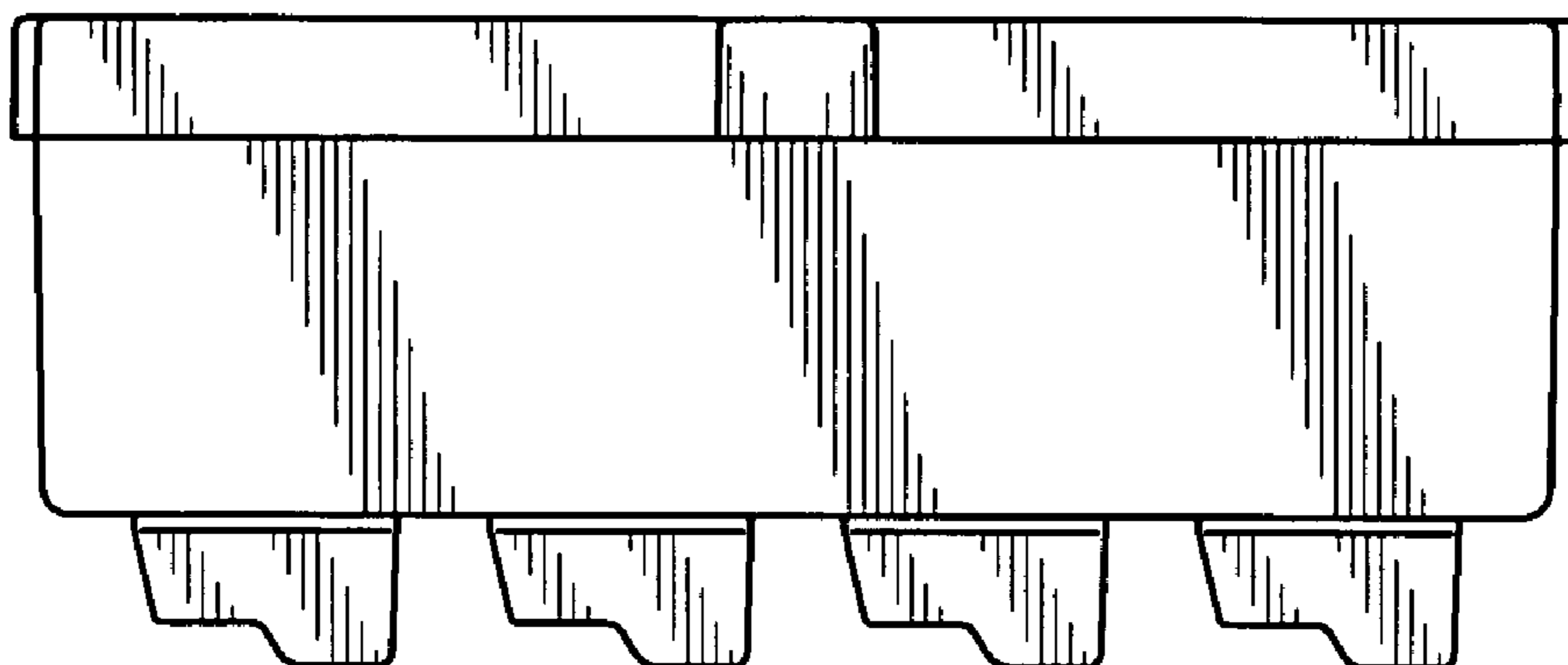


FIG. 6

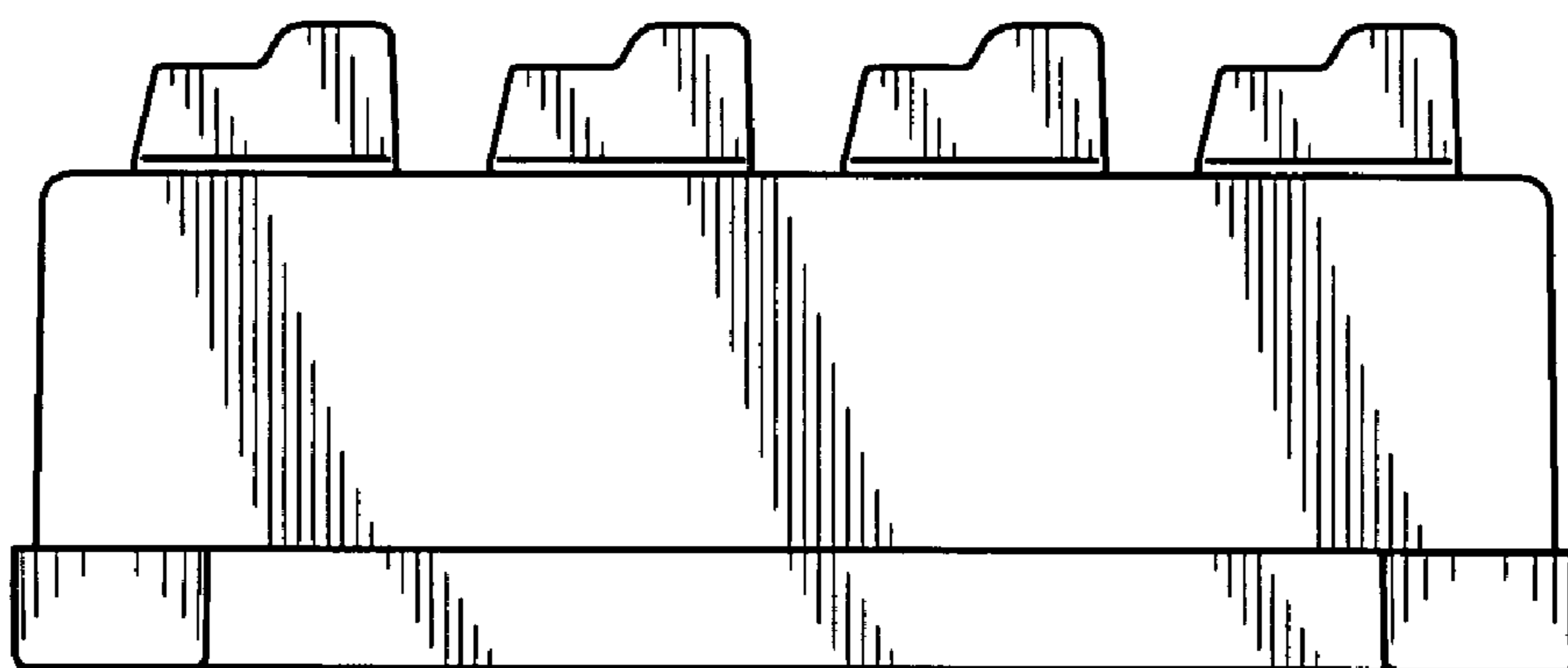


FIG. 7

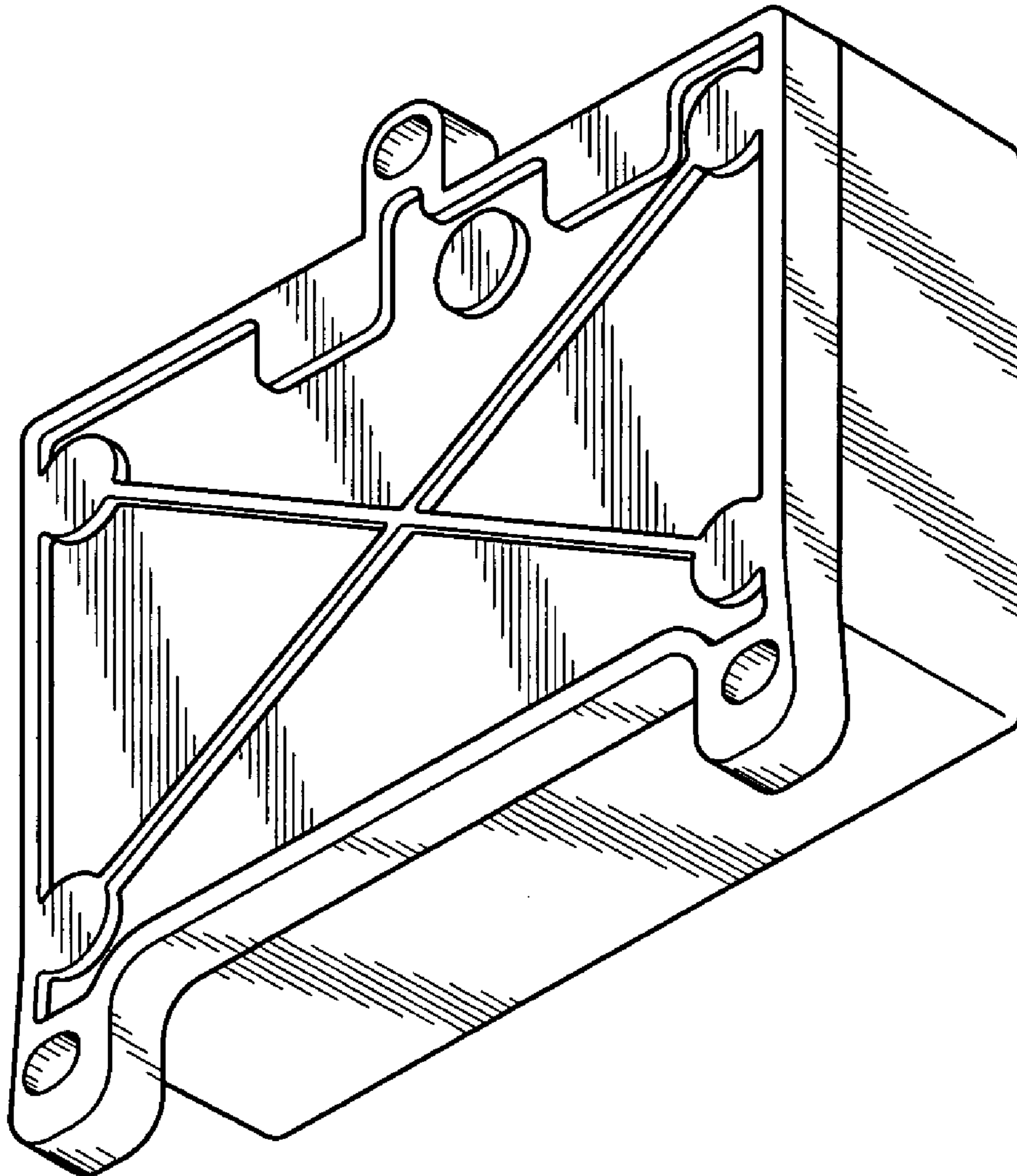


FIG. 8