

US00D600652S

(12) **United States Design Patent**
Hong et al.

(10) **Patent No.:** **US D600,652 S**

(45) **Date of Patent:** **** Sep. 22, 2009**

(54) **CABLE CONNECTOR**

(75) Inventors: **Fu-Long Hong**, Taoyuan County (TW);
Hsiao-Chuan Huang, Taoyuan County (TW);
Yi-Bin Ho, Taoyuan County (TW);
Hung-Yi Huang, Taoyuan County (TW);
Hung-Yu Chen, Taoyuan County (TW);
Meng-Sheng Chiang, Taoyuan County (TW);
Po-Lin Ho, Taoyuan County (TW)

(73) Assignee: **HTC Corporation**, Taoyuan County (TW)

(**) Term: **14 Years**

(21) Appl. No.: **29/321,875**

(22) Filed: **Jul. 24, 2008**

(30) **Foreign Application Priority Data**

Mar. 31, 2008 (TW) 97301889 A

(51) **LOC (9) Cl.** **13-03**

(52) **U.S. Cl.** **D13/154**

(58) **Field of Classification Search** D13/133,
D13/153, 154, 156; 439/352, 358, 502, 607-610,
439/680; 174/71 R, 88 R, 95, 117 R, 117 F,
174/504 A

See application file for complete search history.

(56) **References Cited**

U.S. PATENT DOCUMENTS

- D416,542 S * 11/1999 Tsai D13/153
- D442,553 S * 5/2001 Urban et al. D13/153
- D456,509 S * 4/2002 Schultz D13/153
- D548,700 S * 8/2007 Ledbetter et al. D13/154
- D549,660 S * 8/2007 Zenri et al. D13/154

- D552,604 S 10/2007 Andre et al.
- D576,102 S * 9/2008 Zenri et al. D13/154

* cited by examiner

Primary Examiner—Brian N Vinson
(74) *Attorney, Agent, or Firm*—Jianq Chyun IP Office

(57) **CLAIM**

The ornamental design for a cable connector, as shown and described.

DESCRIPTION

FIG. 1 is a perspective view of a cable connector showing our new design;

FIG. 2 is a front view thereof;

FIG. 3 is a rear view thereof;

FIG. 4 is a right side view thereof, the left side view being a mirror image of the right side view;

FIG. 5 is a top view thereof;

FIG. 6 is a bottom view thereof;

FIG. 7 is a cross-sectional view taken along line 7—7 in FIG. 2;

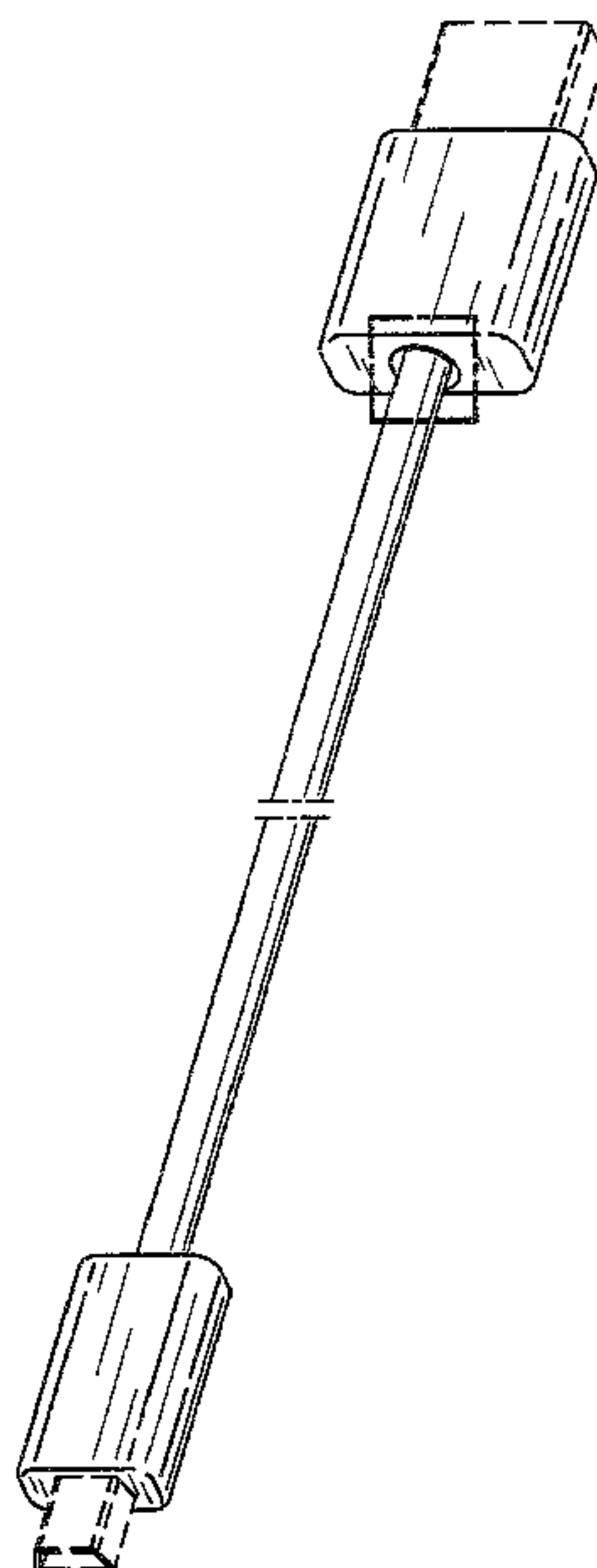
FIG. 8 is another perspective view thereof;

FIG. 9 is an enlarged partial perspective view thereof in FIG. 1; and,

FIG. 10 is another enlarged partial perspective view thereof in FIG. 8.

The broken lines shown in the figures are for illustrative purposes only and do not form part of the claimed design. Referring to FIGS. 1, 7 and 8, the hole of the connector which the cable extends through has an outer end portion with a smooth contour so as to reduce the bend degree of the cable thereon.

1 Claim, 8 Drawing Sheets



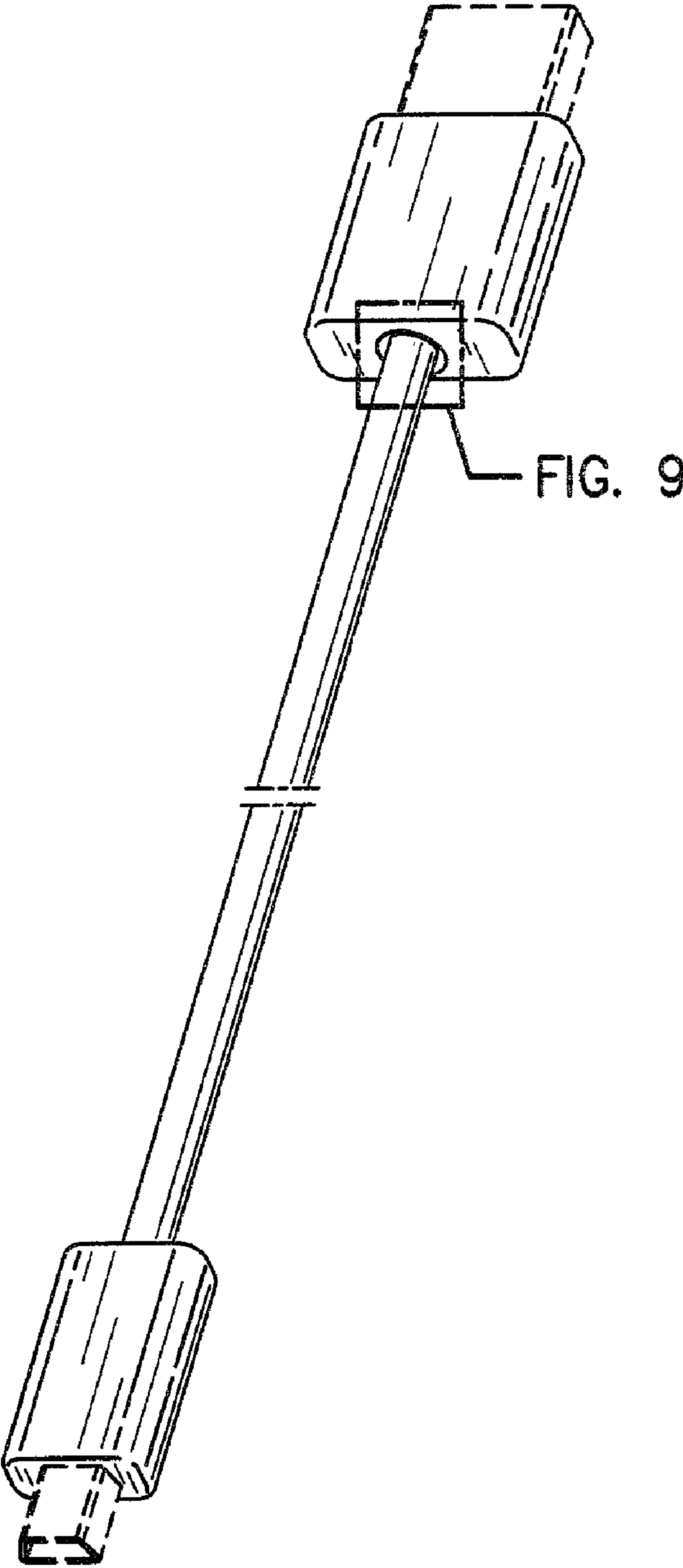


FIG. 1

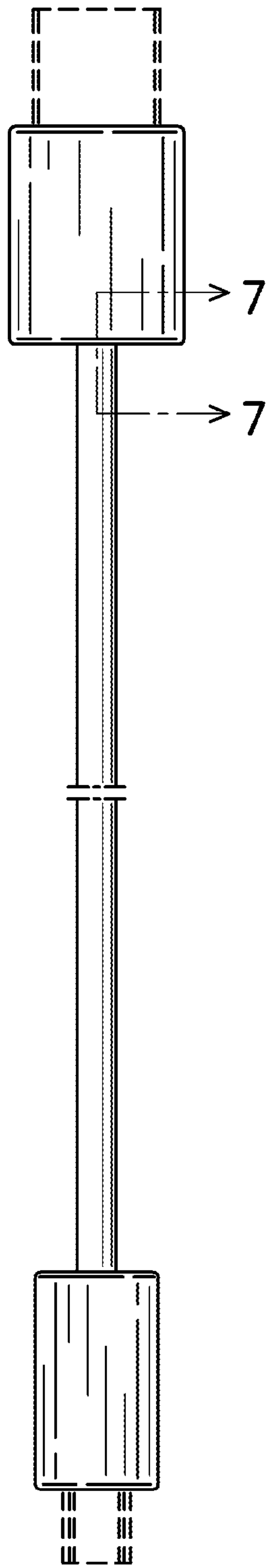


FIG. 2

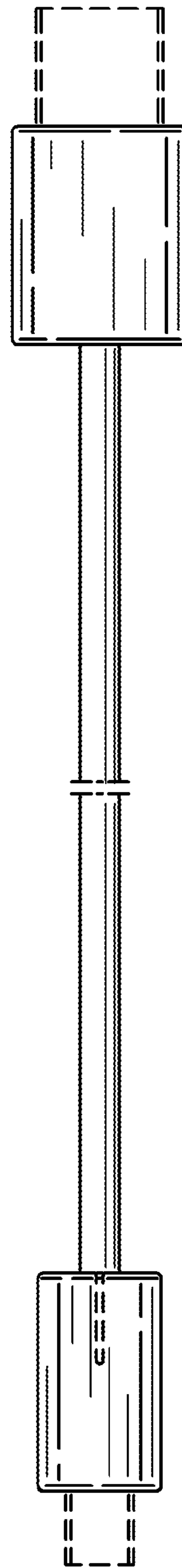


FIG. 3

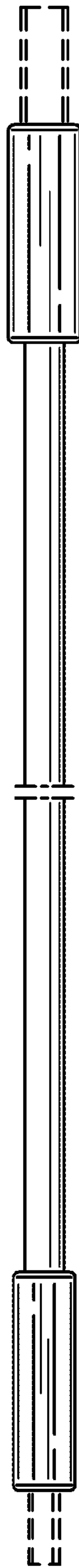


FIG. 4

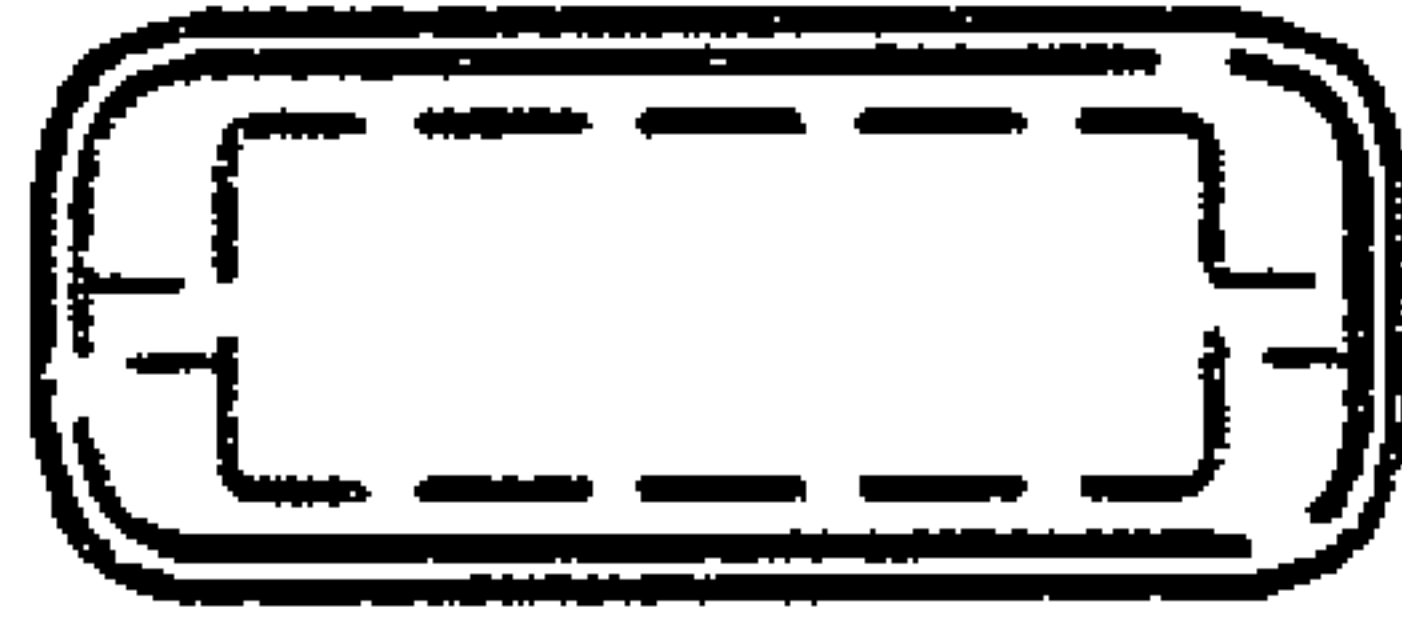


FIG. 5



FIG. 6

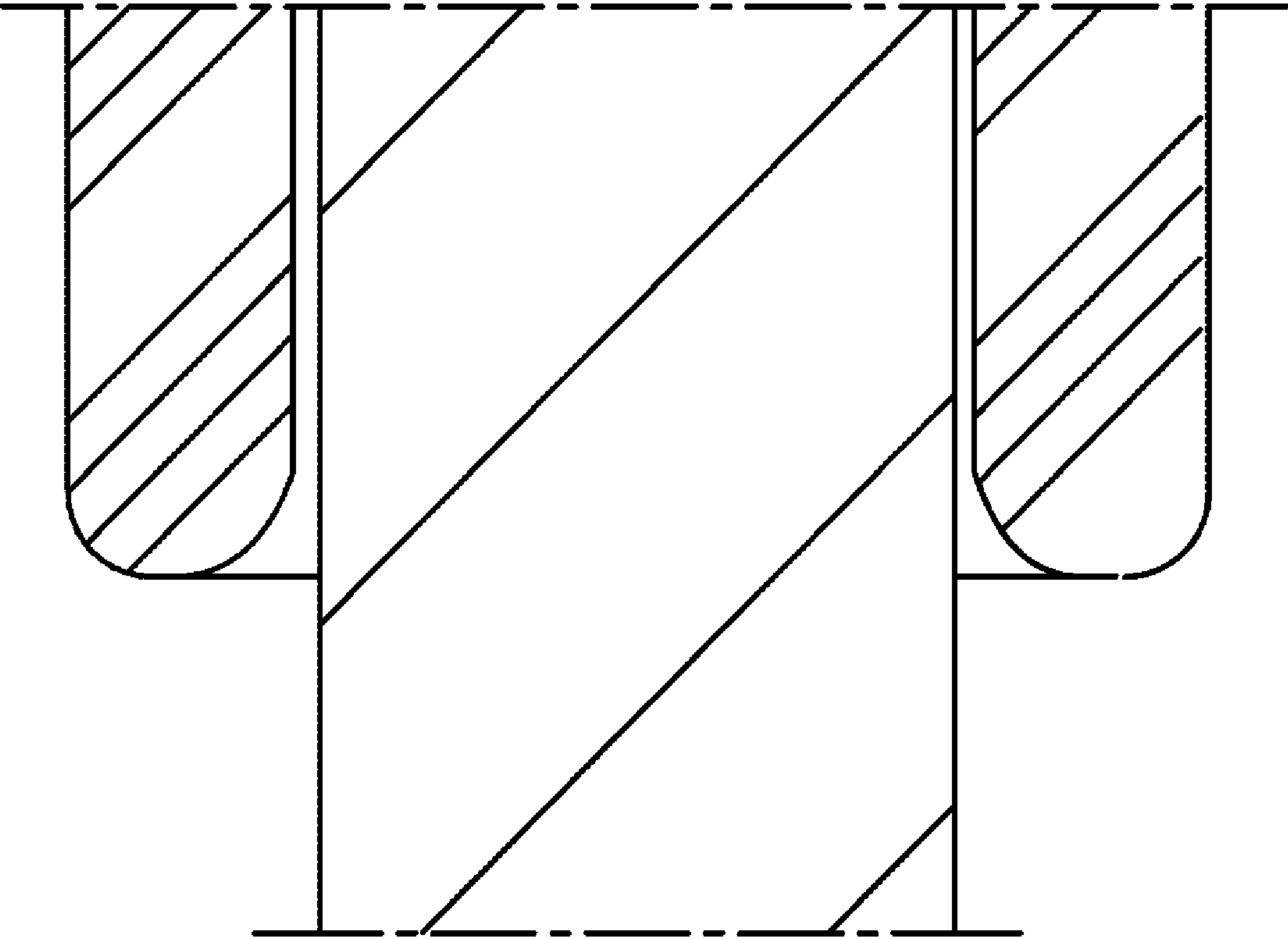


FIG. 7

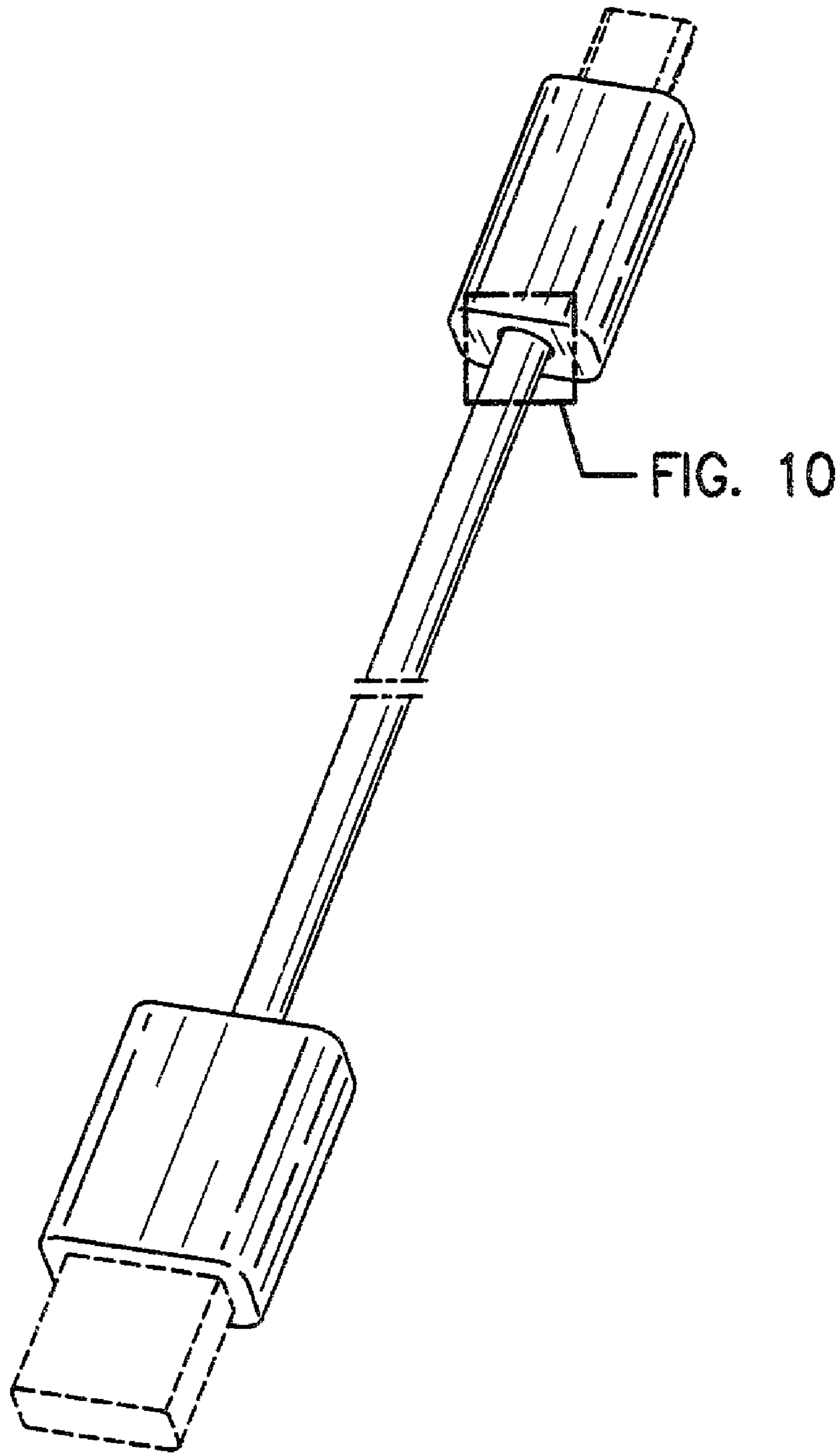


FIG. 8

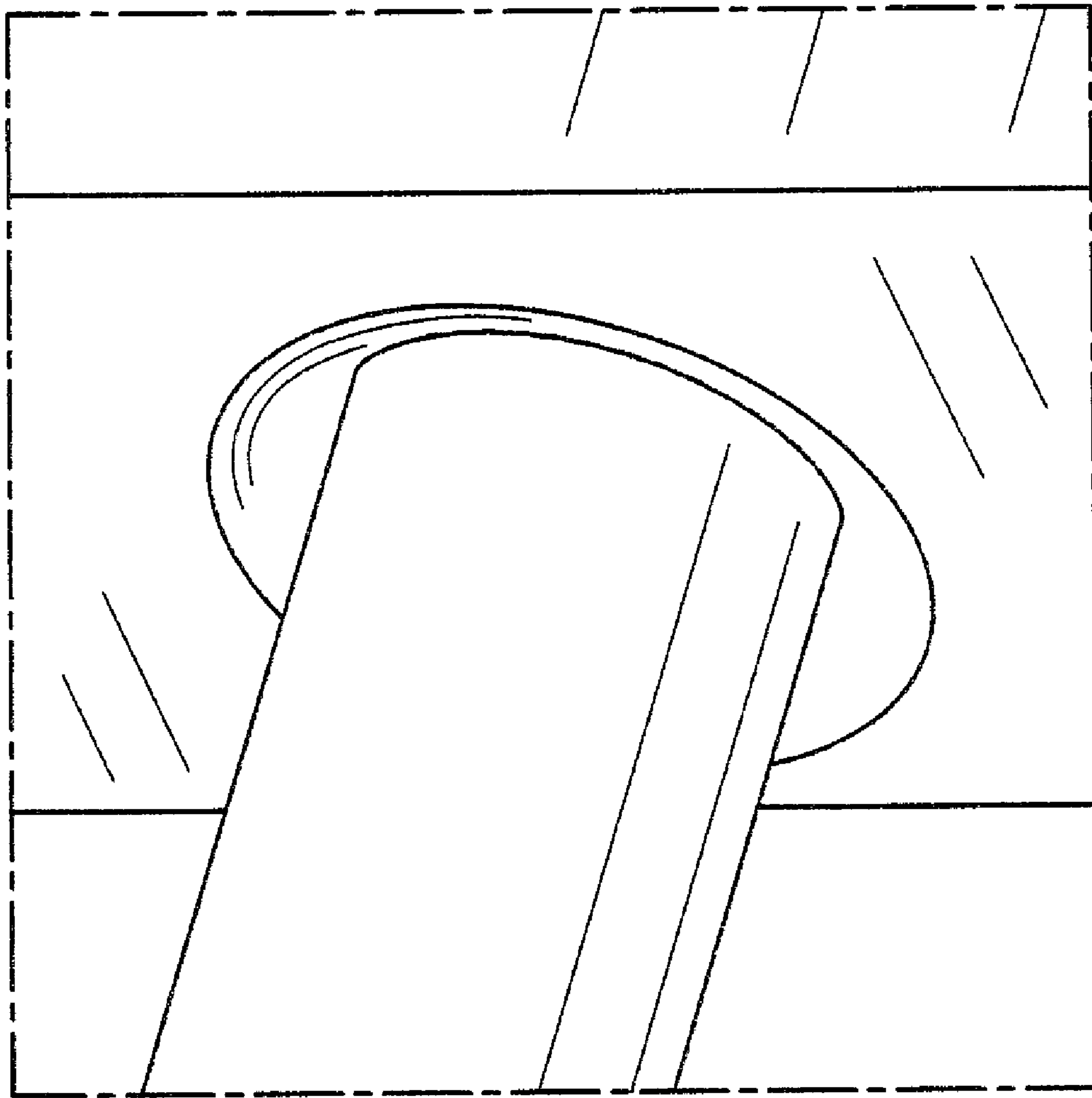


FIG. 9

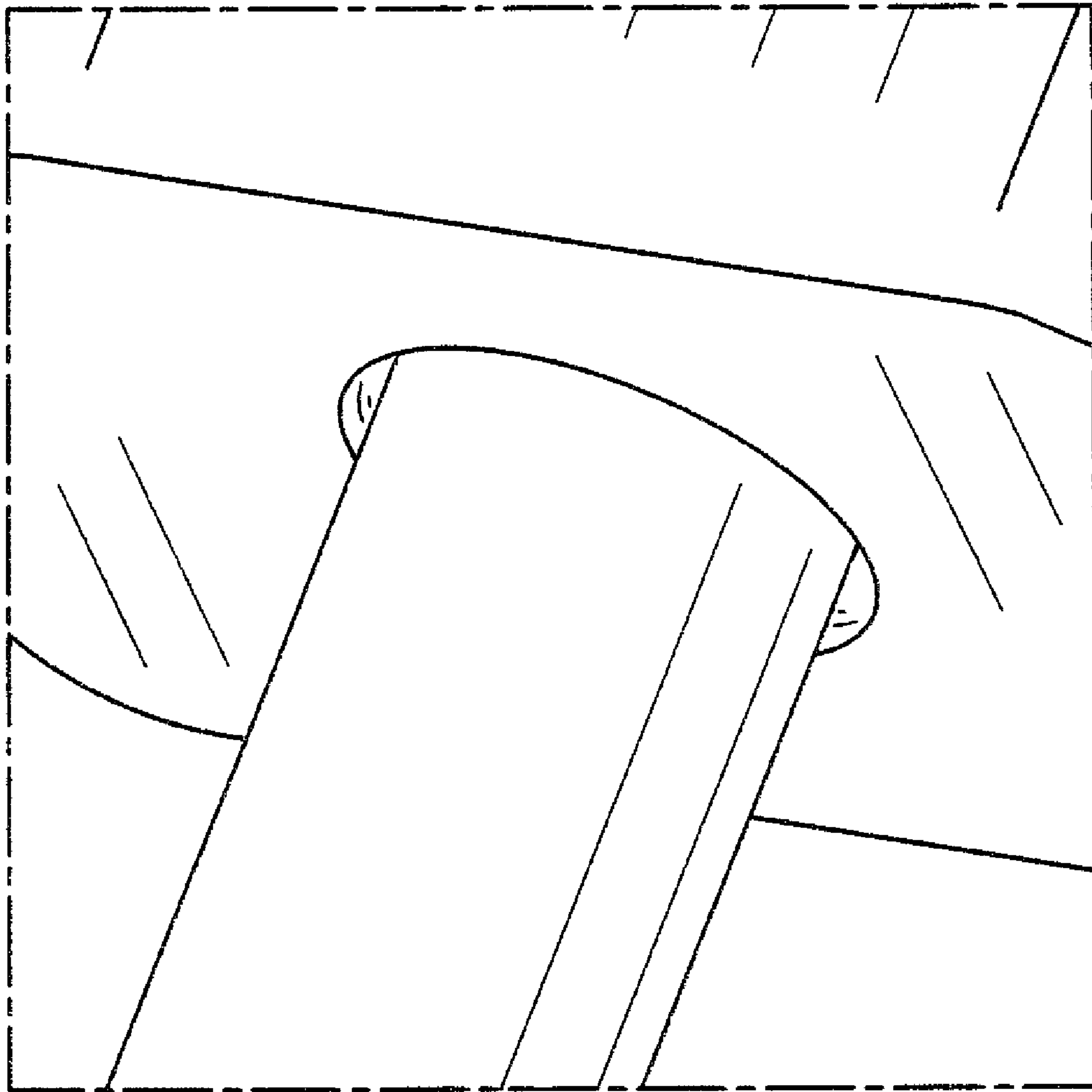


FIG. 10