



US00D600647S

(12) **United States Design Patent**
Hemmi et al.

(10) **Patent No.:** **US D600,647 S**
(45) **Date of Patent:** **** Sep. 22, 2009**

(54) **CONNECTOR FOR FLEXIBLE PRINTED CIRCUIT BOARD**

JP D1180302 5/2003
JP D1233430 2/2005
JP D1250913 8/2005
JP D1251412 8/2005

(75) Inventors: **Yoshinobu Hemmi**, Kyoto (JP);
Hirotsada Teranishi, Kyoto (JP);
Naoyuki Kimura, Kyoto (JP)

* cited by examiner

(73) Assignee: **Omron Corporation**, Kyoto (JP)

Primary Examiner—Daniel D Bui

(74) *Attorney, Agent, or Firm*—Harness, Dickey & Pierce

(**) Term: **14 Years**

(57) **CLAIM**

(21) Appl. No.: **29/318,019**

The ornamental design for a connector for flexible printed circuit board, as shown and described.

(22) Filed: **May 12, 2008**

(30) **Foreign Application Priority Data**

DESCRIPTION

Nov. 13, 2007 (JP) D 2007-031355

FIG. 1 is a top, front and right side perspective view of a connector for flexible printed circuit board showing our new design;

(51) **LOC (9) Cl.** **13-03**

FIG. 2 is a top, rear and left side perspective view thereof;

(52) **U.S. Cl.** **D13/147**

FIG. 3 is a bottom, front and left side perspective view thereof;

(58) **Field of Classification Search** D13/147,
D13/154, 184; D14/432, 433, 436, 438;
439/62, 260, 325, 329, 395, 422, 492, 495,
439/499, 607–610

FIG. 4 is a bottom, rear and right side perspective view thereof;

See application file for complete search history.

FIG. 5 is a front elevational view thereof;

(56) **References Cited**

FIG. 6 is a rear elevational rear view thereof;

U.S. PATENT DOCUMENTS

FIG. 7 is a left side view thereof;

D470,110 S * 2/2003 Yamane D13/147

FIG. 8 is a right side view thereof;

D472,219 S * 3/2003 Miura D13/147

FIG. 9 is a top plan view thereof;

D481,998 S * 11/2003 Saito et al. D13/147

FIG. 10 is a bottom plan view thereof;

D481,999 S * 11/2003 Saito et al. D13/147

FIG. 11 is a cross-sectional view taken along the line of XI—XI of FIG. 5;

D497,344 S * 10/2004 Huang D13/147

FIG. 12 is a top, front and right side perspective view thereof, in use condition; and,

D500,985 S * 1/2005 Yamane et al. D13/147

FIG. 13 is a top, rear and left side perspective view thereof.

D582,853 S * 12/2008 Peng et al. D13/147

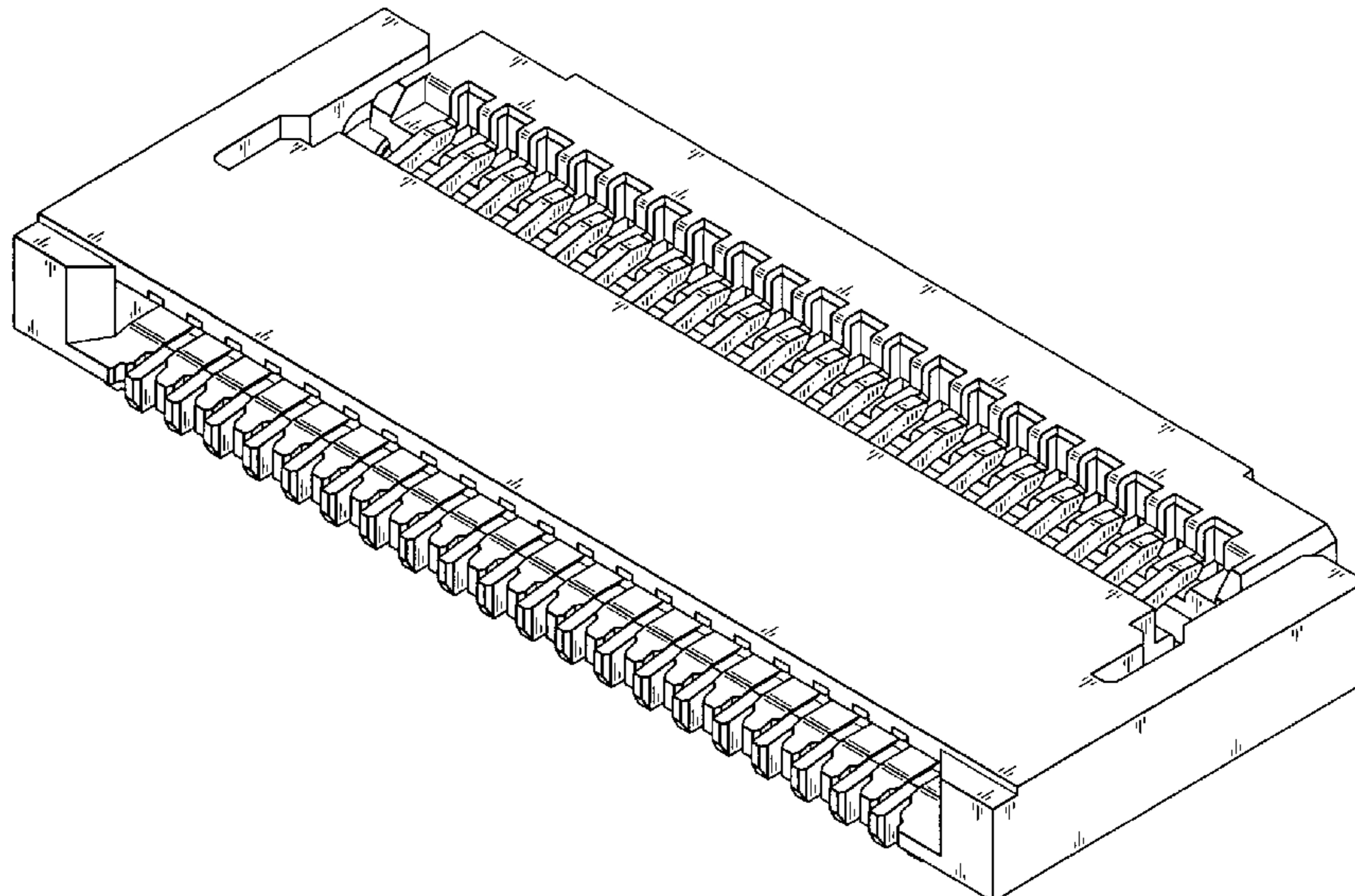
2006/0105622 A1 * 5/2006 Nakano et al. 439/495

2008/0242143 A1 * 10/2008 Tanaka et al. 439/499

FOREIGN PATENT DOCUMENTS

JP D1180010 5/2003

1 Claim, 10 Drawing Sheets



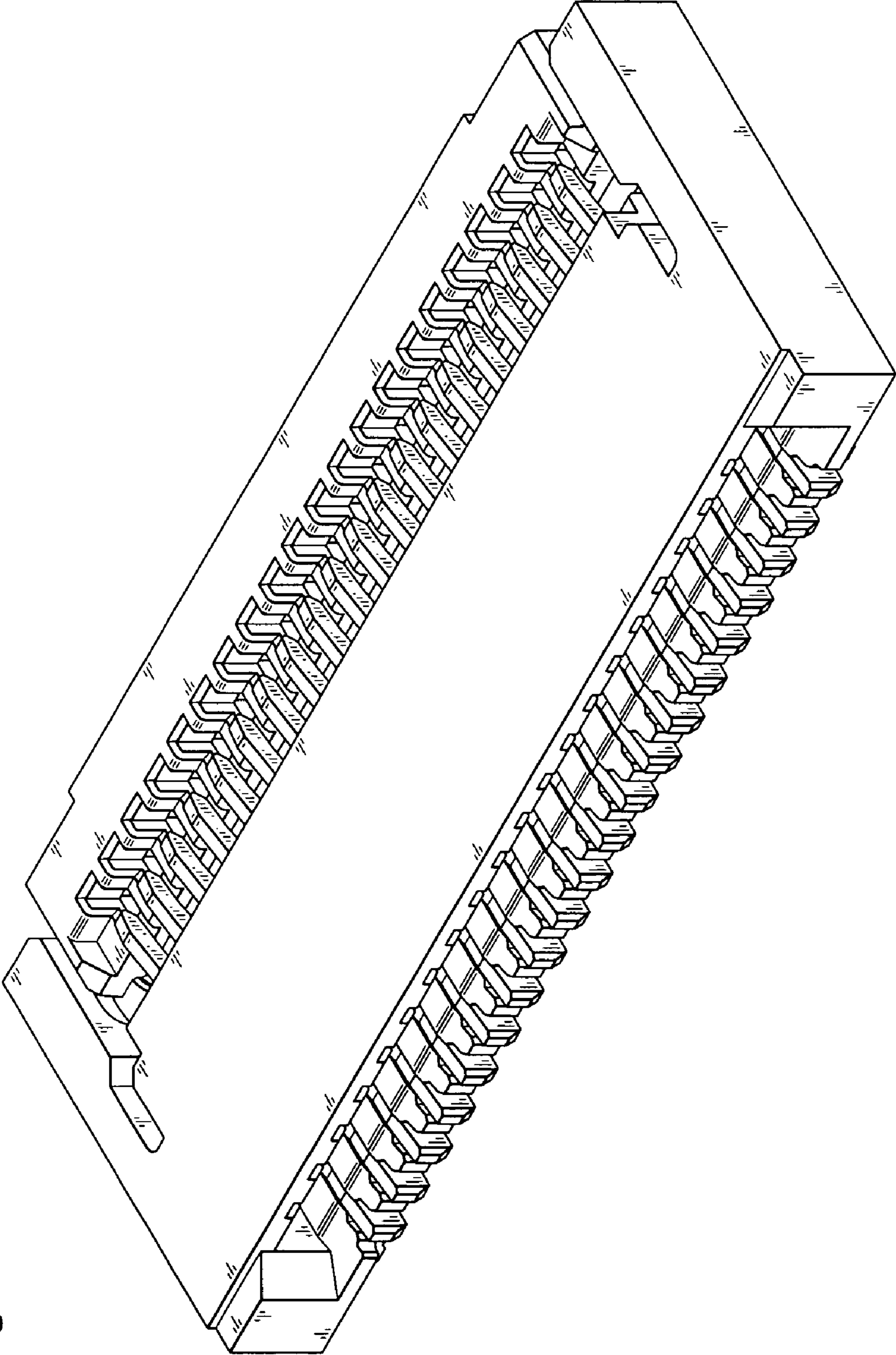


Fig. 1

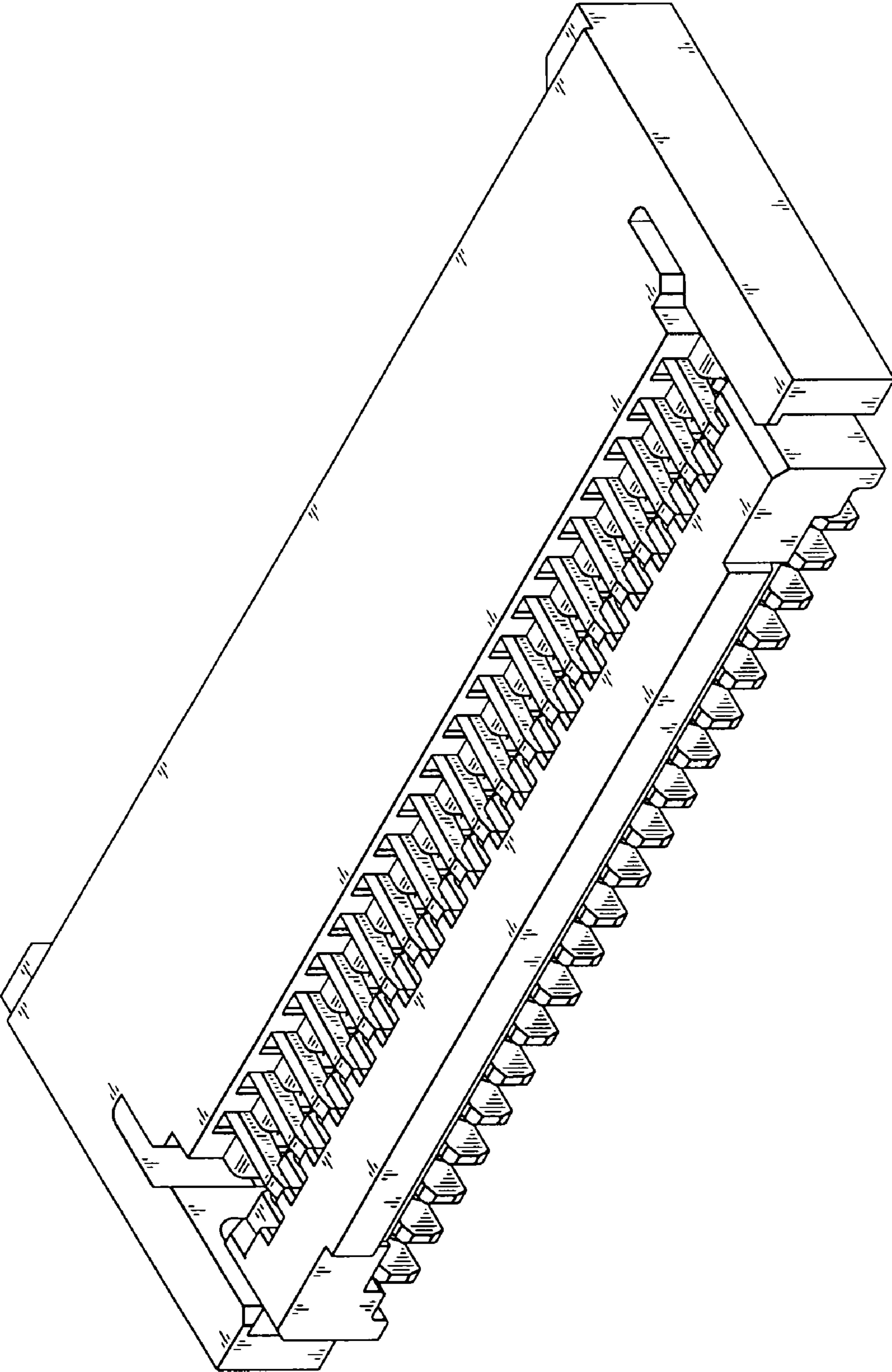


Fig. 2

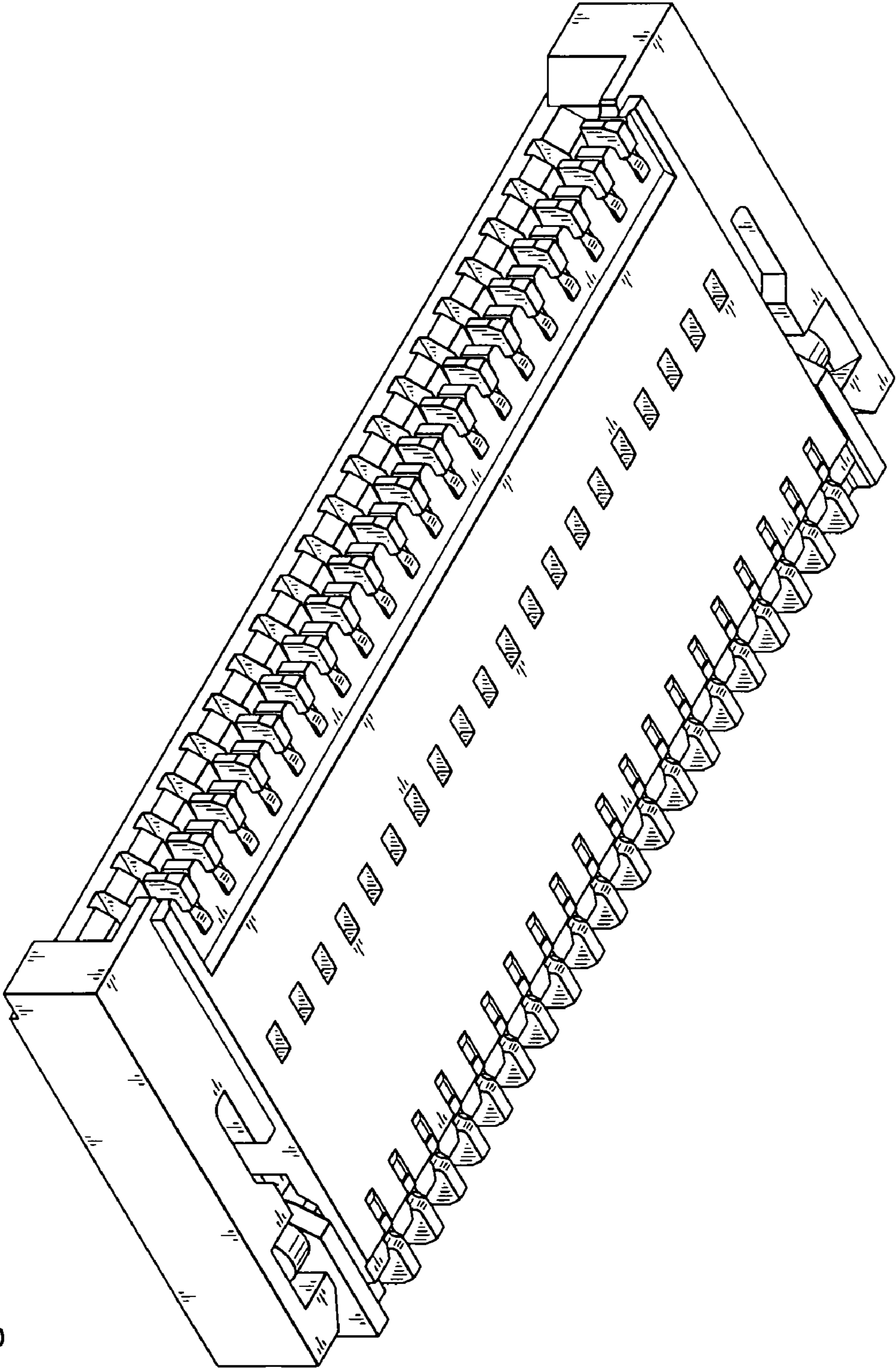


Fig. 3

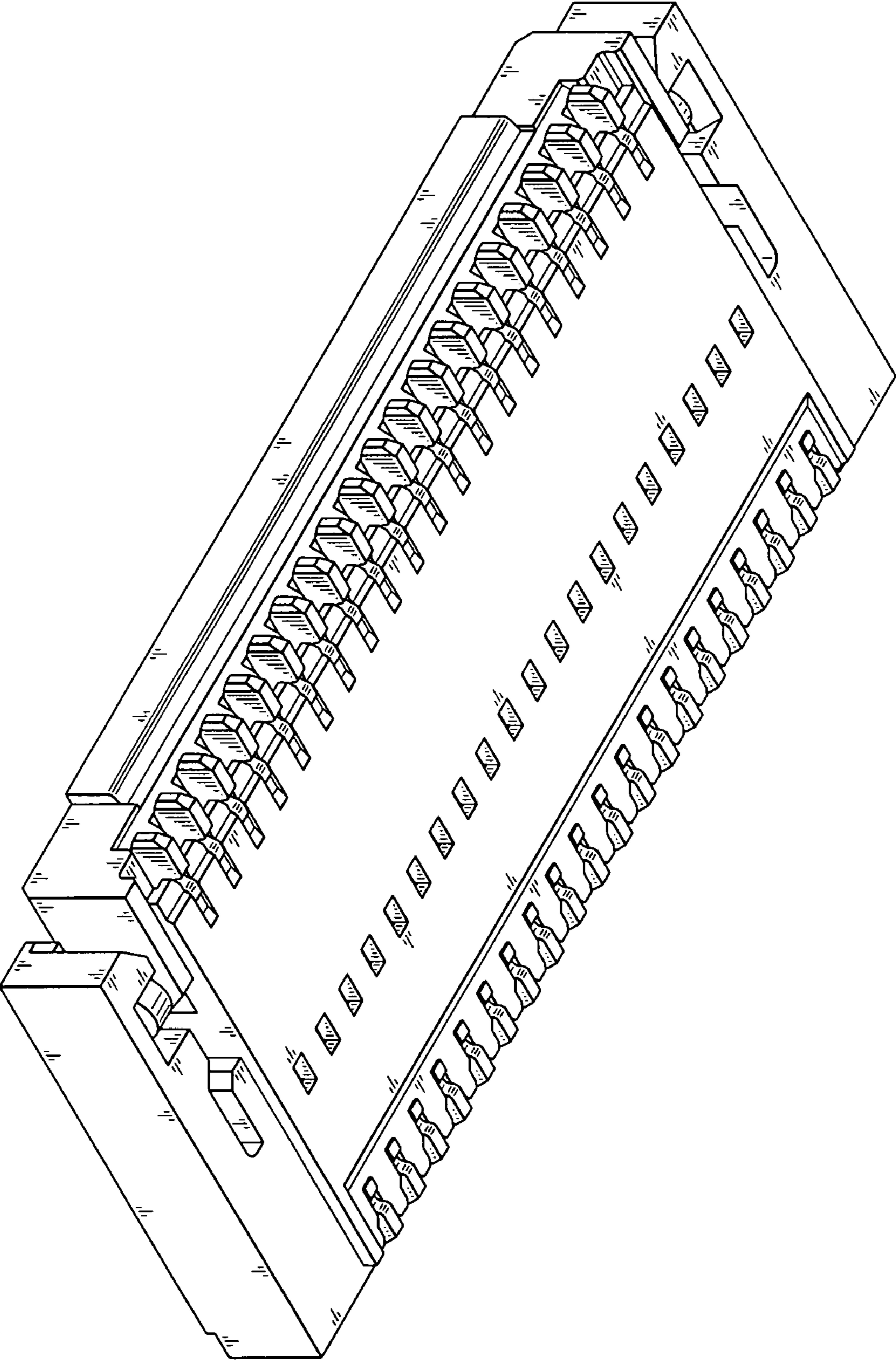


Fig. 4

Fig. 5

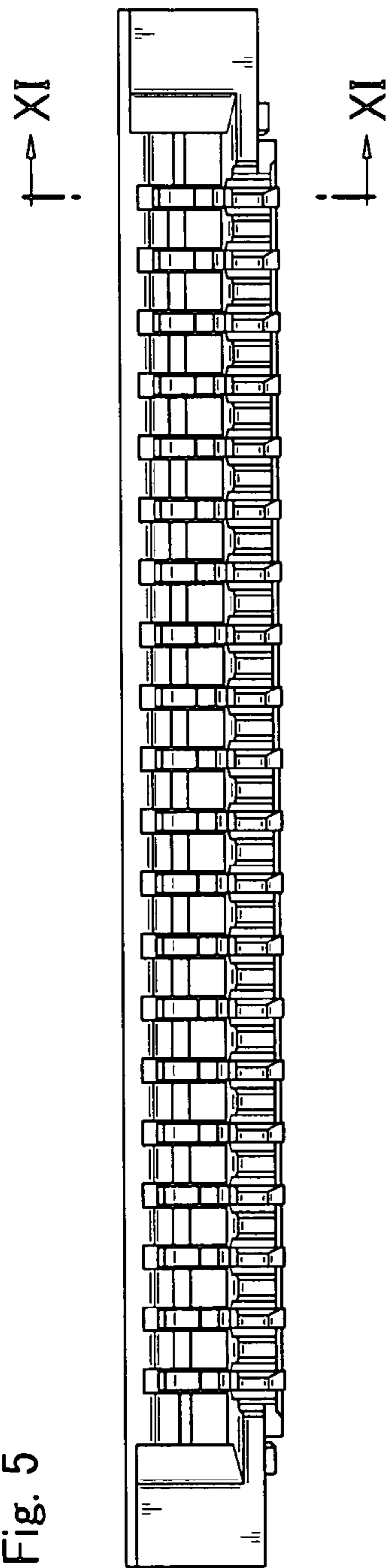


Fig. 6

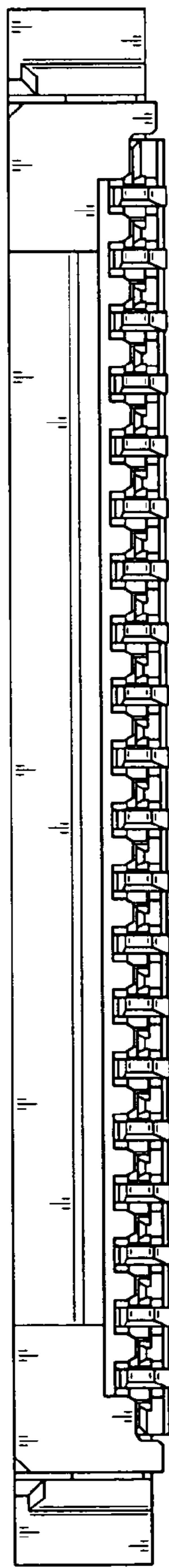


Fig. 7

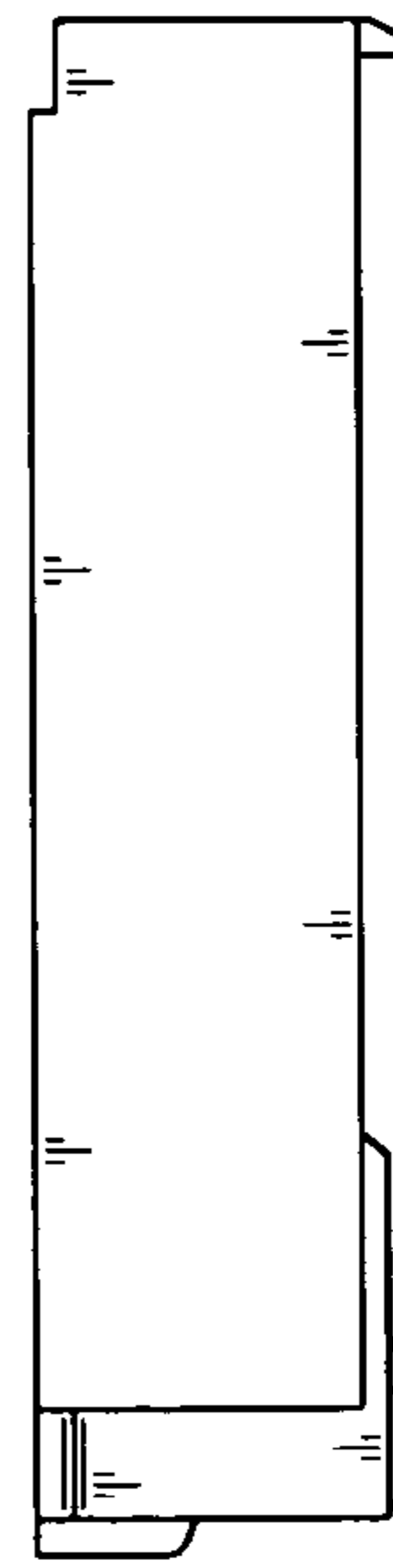


Fig. 8

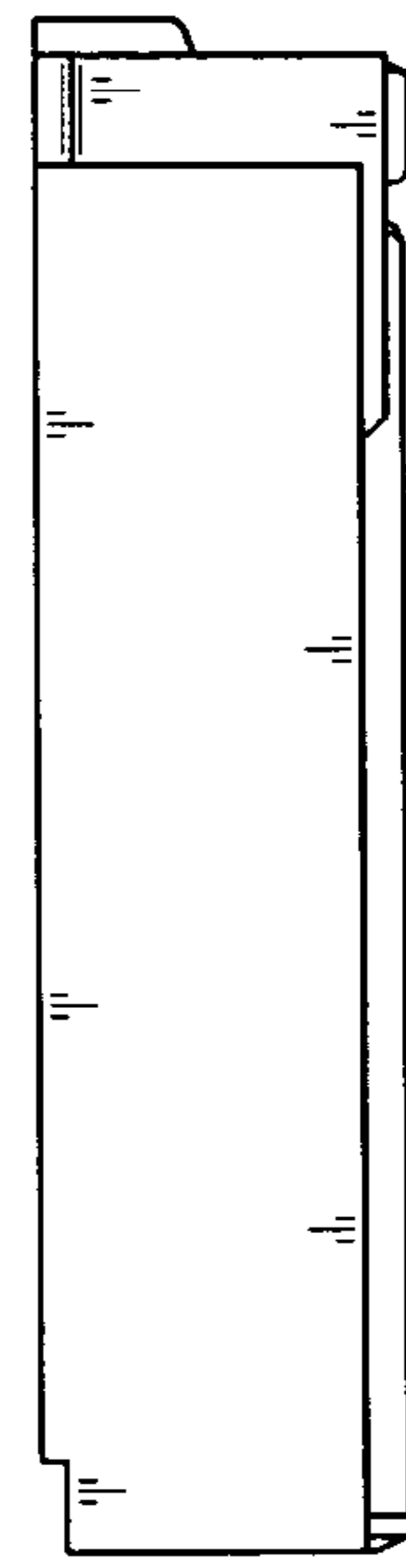


Fig. 9

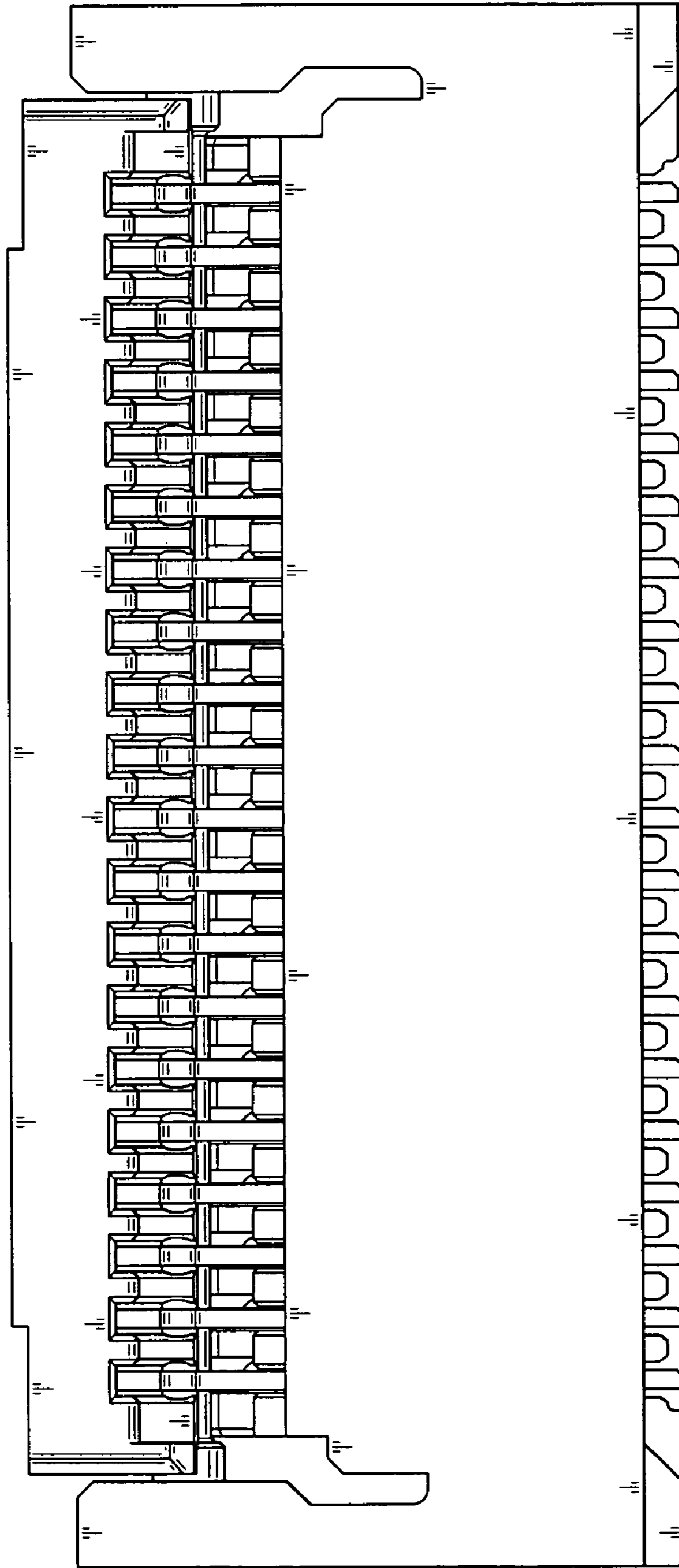
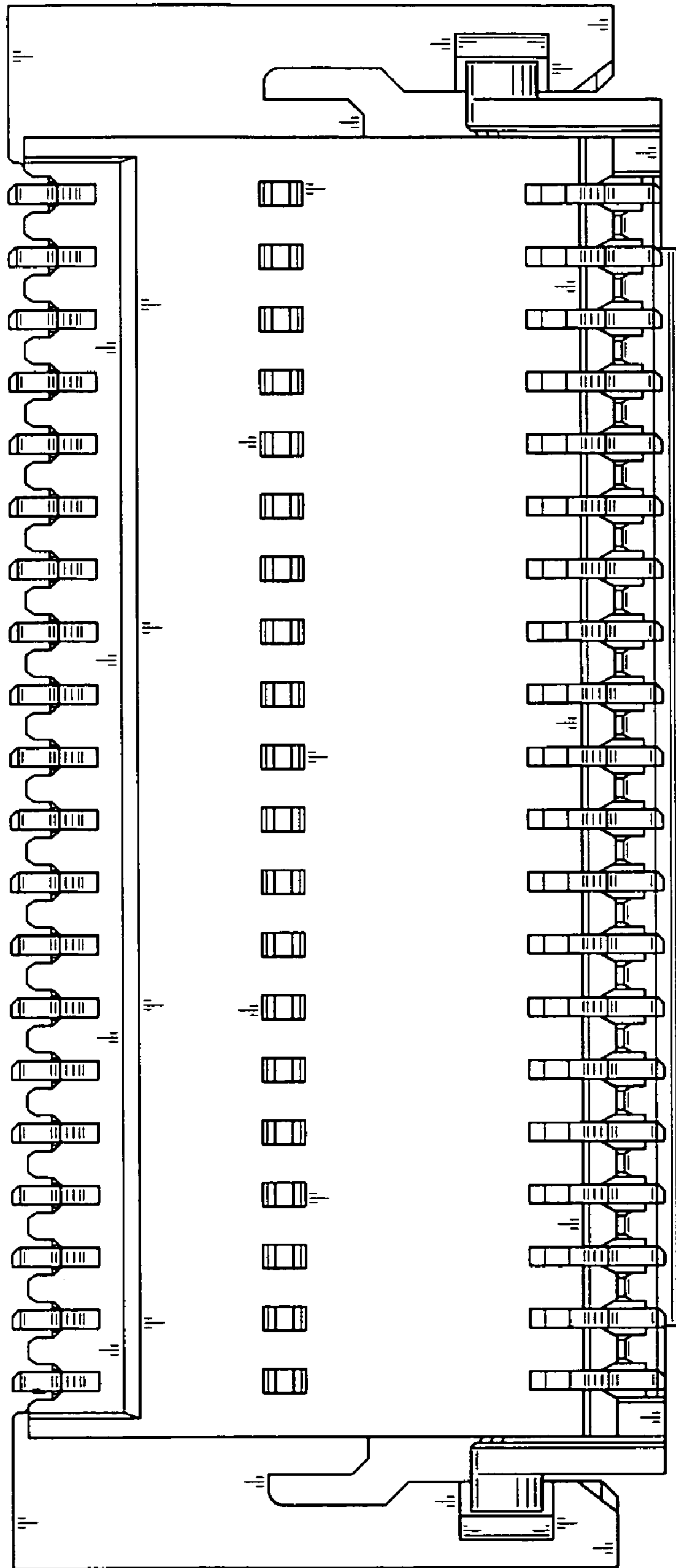


Fig. 10



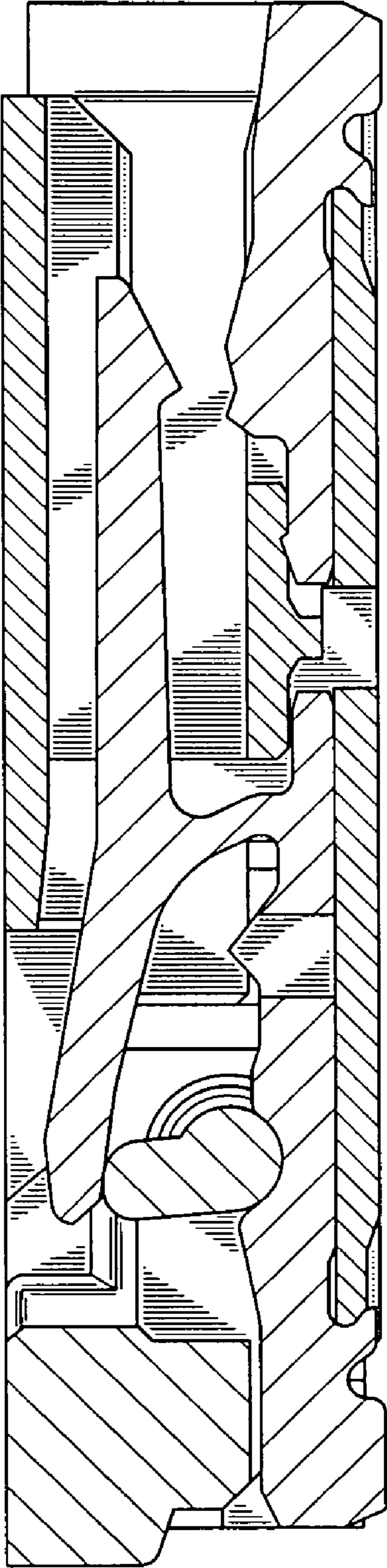


Fig. 11

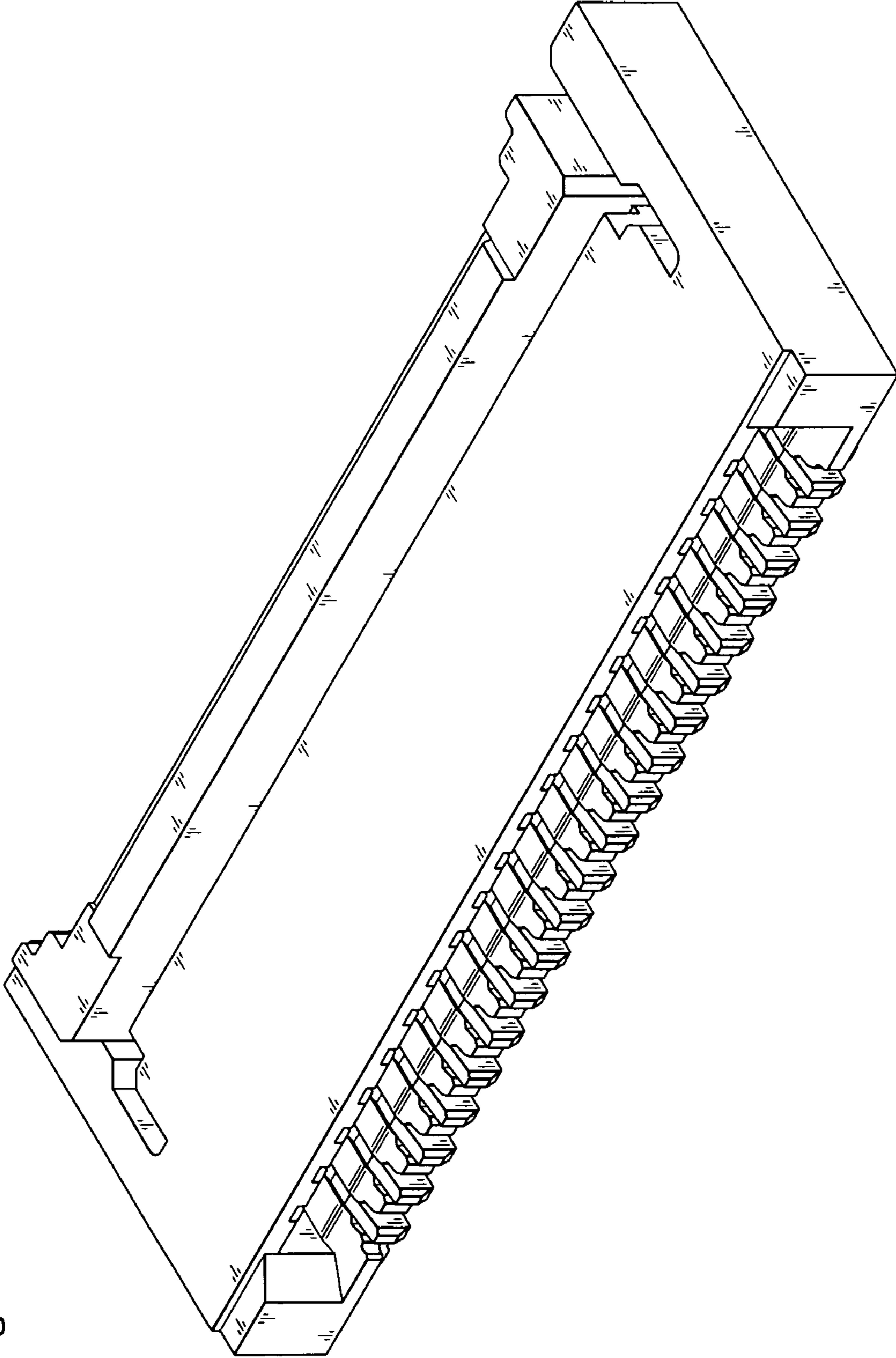


Fig. 12

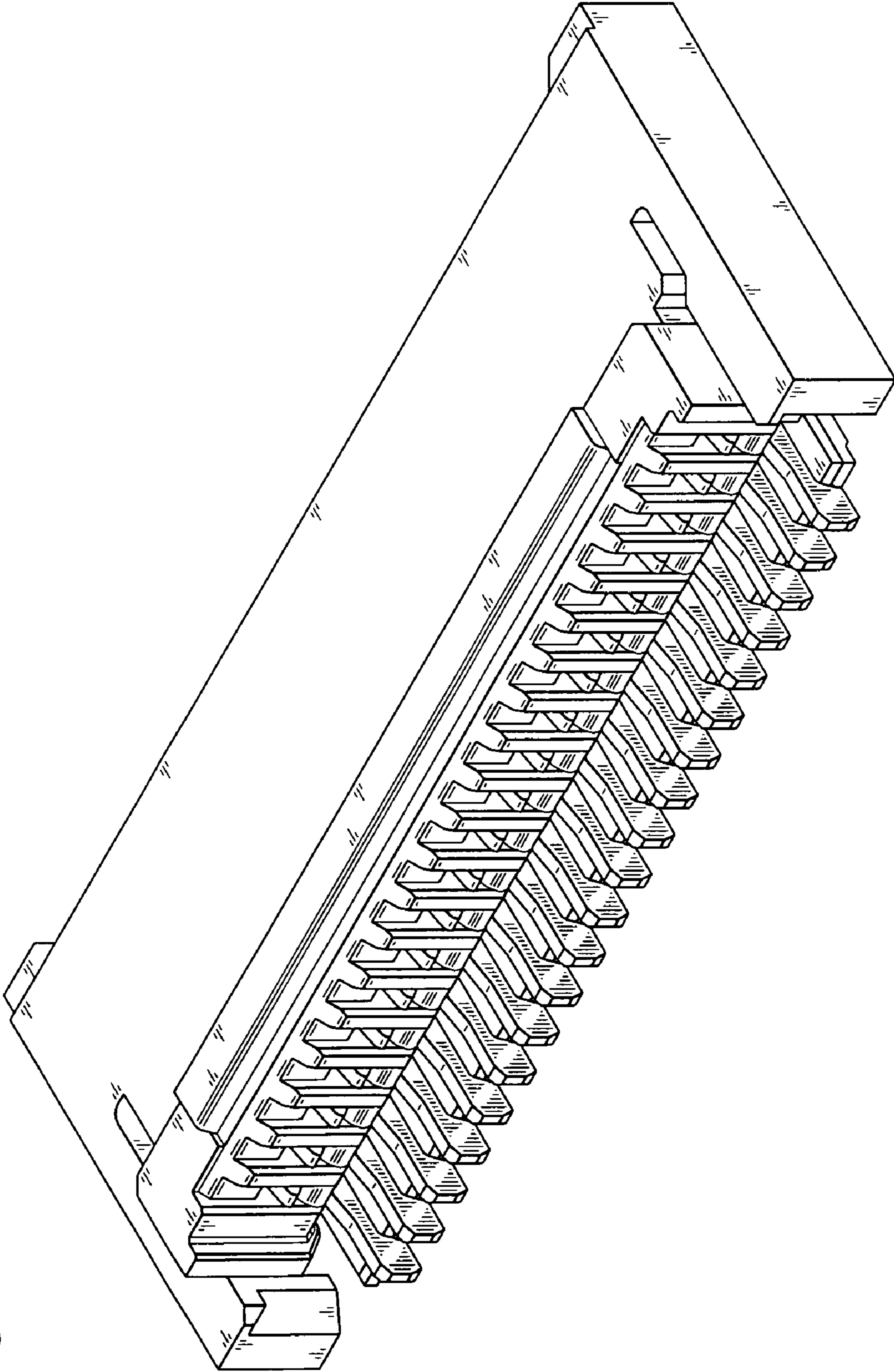


Fig. 13