



US00D600644S

(12) **United States Design Patent**
Leung et al.

(10) **Patent No.:** **US D600,644 S**

(45) **Date of Patent:** **** Sep. 22, 2009**

(54) **HIGH DEFINITION MULTIMEDIA
INTERFACE PIGTAIL**

(75) Inventors: **Hipsun Michael Leung**, Missouri City,
TX (US); **Lin Chao Chang**,
Hsin-Chuang (TW)

(73) Assignee: **Electronic Custom Distributors, Inc.**,
Houston, TX (US)

(**) Term: **14 Years**

(21) Appl. No.: **29/297,190**

(22) Filed: **Nov. 6, 2007**

(51) **LOC (9) Cl.** **13-03**

(52) **U.S. Cl.** **D13/147; D13/153; D13/154**

(58) **Field of Classification Search** D13/133,
D13/146-147, 153-154, 184, 199; D14/496;
D21/324, 333, 385; 439/352, 358, 502, 607-610,
439/680

See application file for complete search history.

(56) **References Cited**

U.S. PATENT DOCUMENTS

D381,629 S *	7/1997	Goto	D13/147
D447,734 S *	9/2001	Nakashima et al.	D13/153
D513,735 S *	1/2006	Nishio et al.	D13/147

* cited by examiner

Primary Examiner—Nanda Bondade
(74) *Attorney, Agent, or Firm*—Mark E. Scott; Conley Rose,
P.C.

(57) **CLAIM**

The ornamental design for high definition multimedia inter-
face pigtail, as shown and described.

DESCRIPTION

FIG. 1 is a front perspective view of a high definition multi-
media interface pigtail, showing our new design;

FIG. 2 is a right side elevation view thereof;

FIG. 3 is a front elevation view thereof;

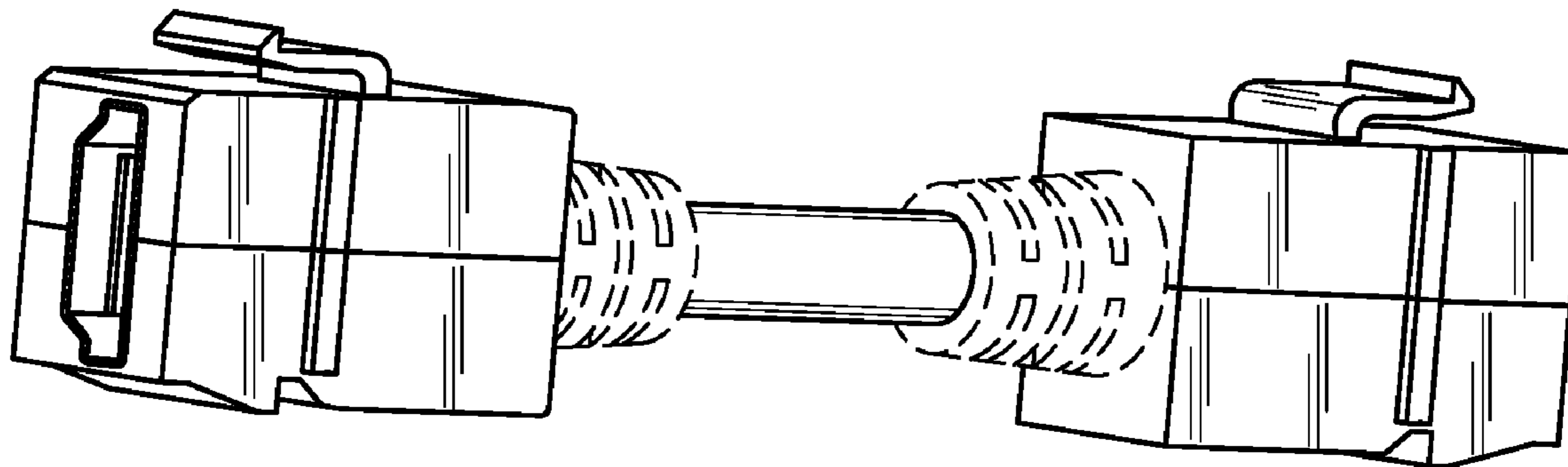
FIG. 4 is a bottom elevation view thereof;

FIG. 5 is a top elevation view thereof; and,

FIG. 6 is a front perspective view the high definition multi-
media interface pigtail couple to a wall decorator-style plate
insert.

The broken lines showing the environment is for illustrative
purposes only and forms no part of the claimed design. More-
over, the portion of the high definition multimedia interface
pigtail depicted in broken lines form no part of the claimed
design. The left side elevation view has been omitted as it is a
mirror image of the right elevation view presented.

1 Claim, 3 Drawing Sheets



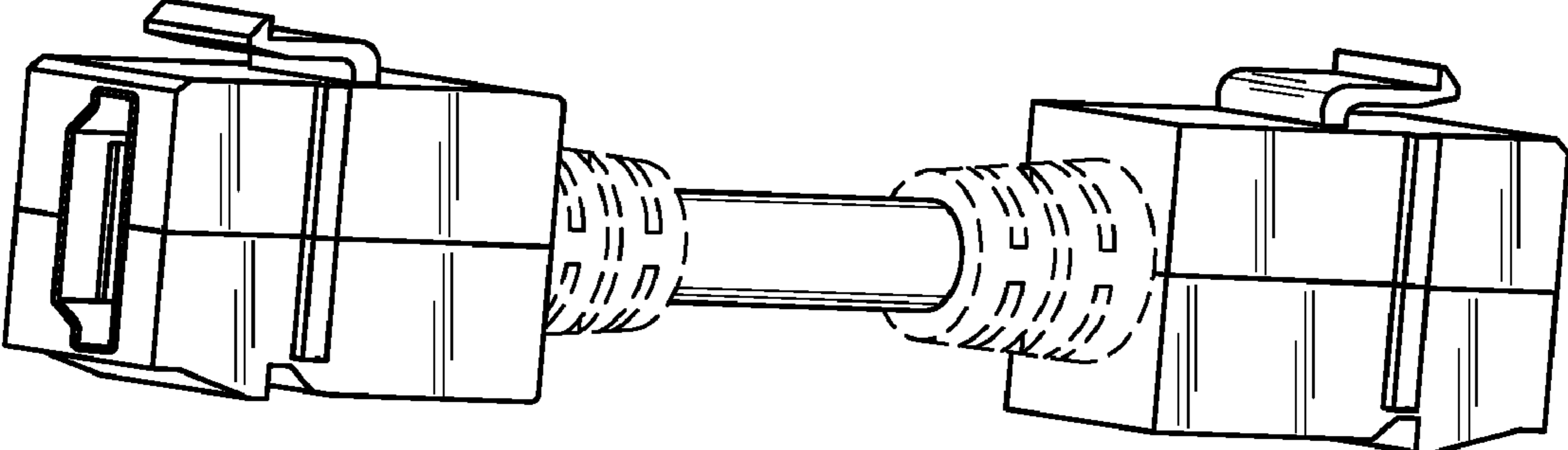


FIG. 1

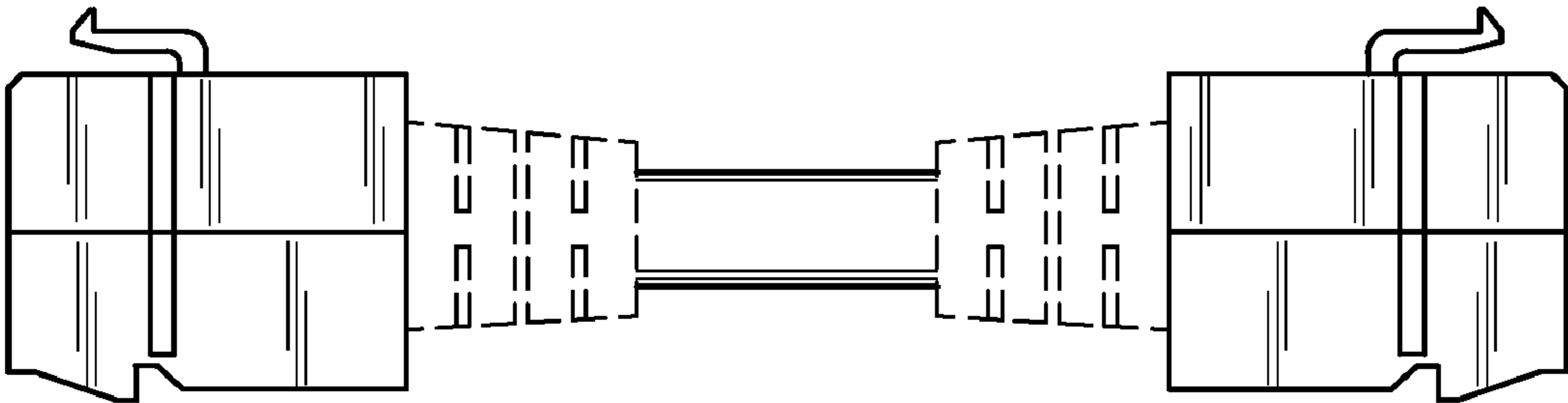


FIG. 2

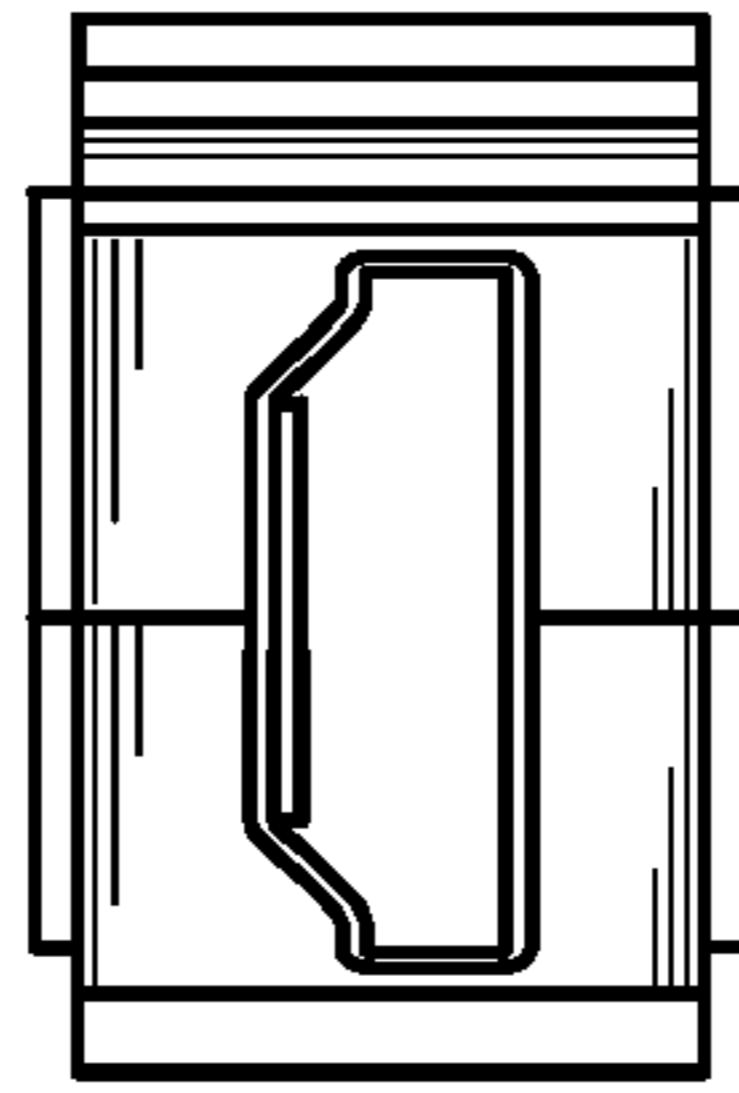


FIG. 3

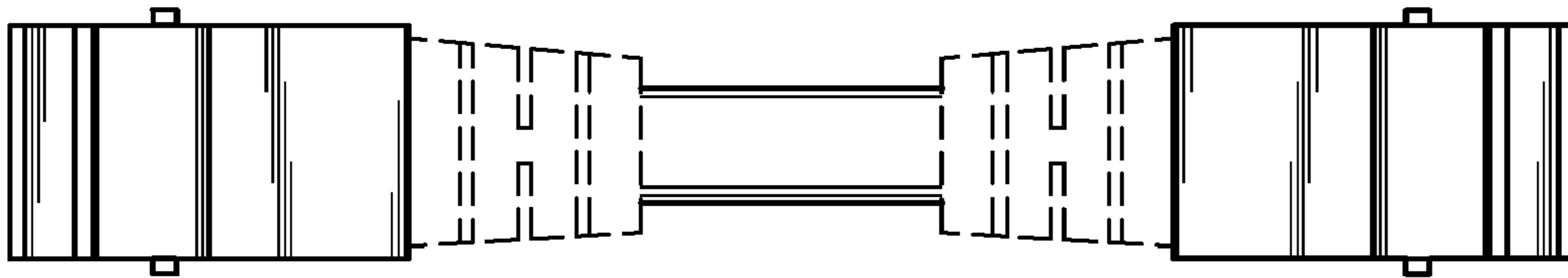


FIG. 4

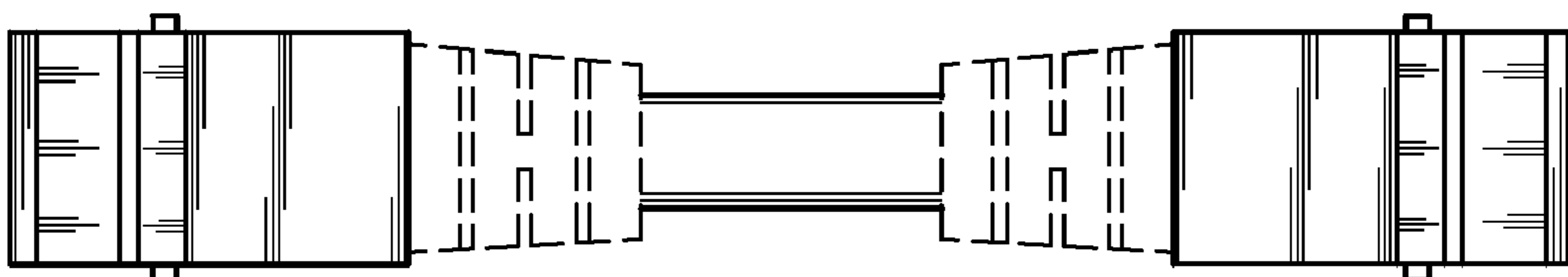


FIG. 5

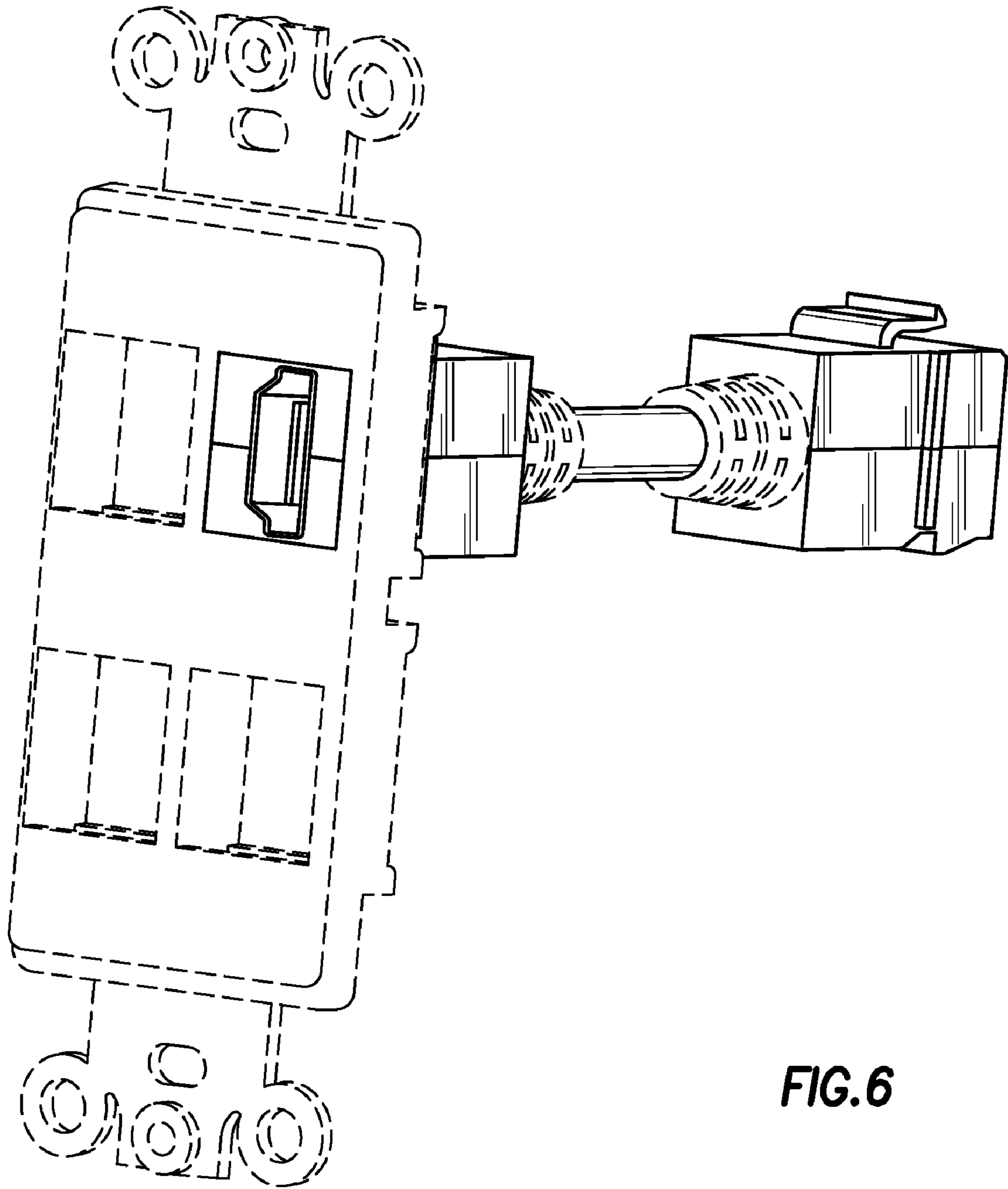


FIG. 6