



US00D600643S

(12) **United States Design Patent**  
**Ohshima**

(10) **Patent No.:** **US D600,643 S**  
(45) **Date of Patent:** **\*\* Sep. 22, 2009**

(54) **HOUSING FOR AN ELECTRIC CONNECTOR** JP D1279256 8/2006

(75) Inventor: **Shinobu Ohshima**, Tokyo (JP)

\* cited by examiner

(73) Assignee: **Honda Tsushin Kogyo Co., Ltd.**, Tokyo (JP)

*Primary Examiner*—Daniel D Bui  
(74) *Attorney, Agent, or Firm*—Leighton K. Chong

(\*\*) Term: **14 Years**

(57) **CLAIM**

(21) Appl. No.: **29/296,647**

The ornamental design for a housing for an electric connector, as shown and described.

(22) Filed: **Oct. 25, 2007**

(30) **Foreign Application Priority Data**

**DESCRIPTION**

Jun. 4, 2007 (JP) ..... 2007-14803

FIG. 1 is an top, front and right side perspective view of my new design for a housing for an electric connector;

(51) **LOC (9) Cl.** ..... **13-03**

FIG. 2 is a front elevation view thereof;

(52) **U.S. Cl.** ..... **D13/146; D13/133**

FIG. 3 is a top view thereof;

(58) **Field of Classification Search** ..... D13/133,  
D13/146, 147, 154, 184; 439/63, 108, 248,  
439/352, 357, 358, 608, 680, 723, 731

FIG. 4 is a bottom view thereof;

See application file for complete search history.

FIG. 5 is a left side view thereof;

FIG. 6 is a right side view thereof;

(56) **References Cited**

FIG. 7 is a rear elevation view thereof;

**U.S. PATENT DOCUMENTS**

FIG. 8 is a cross-sectional view of the article shown in FIG. 3 along view lines A—A;

D527,345 S \* 8/2006 Zhang ..... D13/133

FIG. 9 is a cross-sectional view thereof along view lines B—B; and,

D531,120 S \* 10/2006 Tamura ..... D13/133

FIG. 10 is a cross-sectional view thereof along view lines C—C.

D589,444 S \* 3/2009 Kok et al. .... D13/133

D589,882 S \* 4/2009 Kok et al. .... D13/133

D593,033 S \* 5/2009 Ogata et al. .... D13/133

**FOREIGN PATENT DOCUMENTS**

JP D1279255 8/2006

**1 Claim, 5 Drawing Sheets**

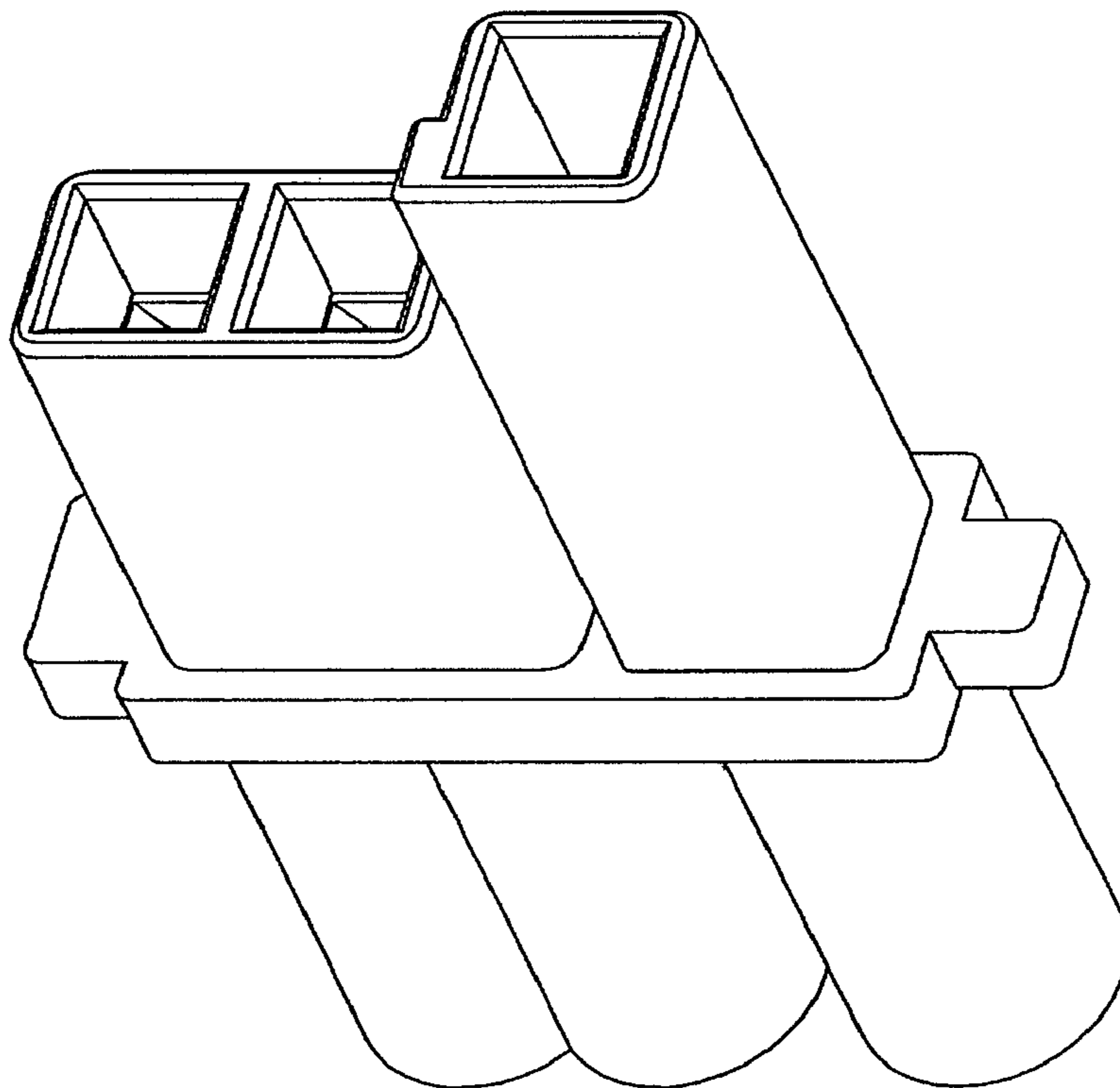


Fig. 1

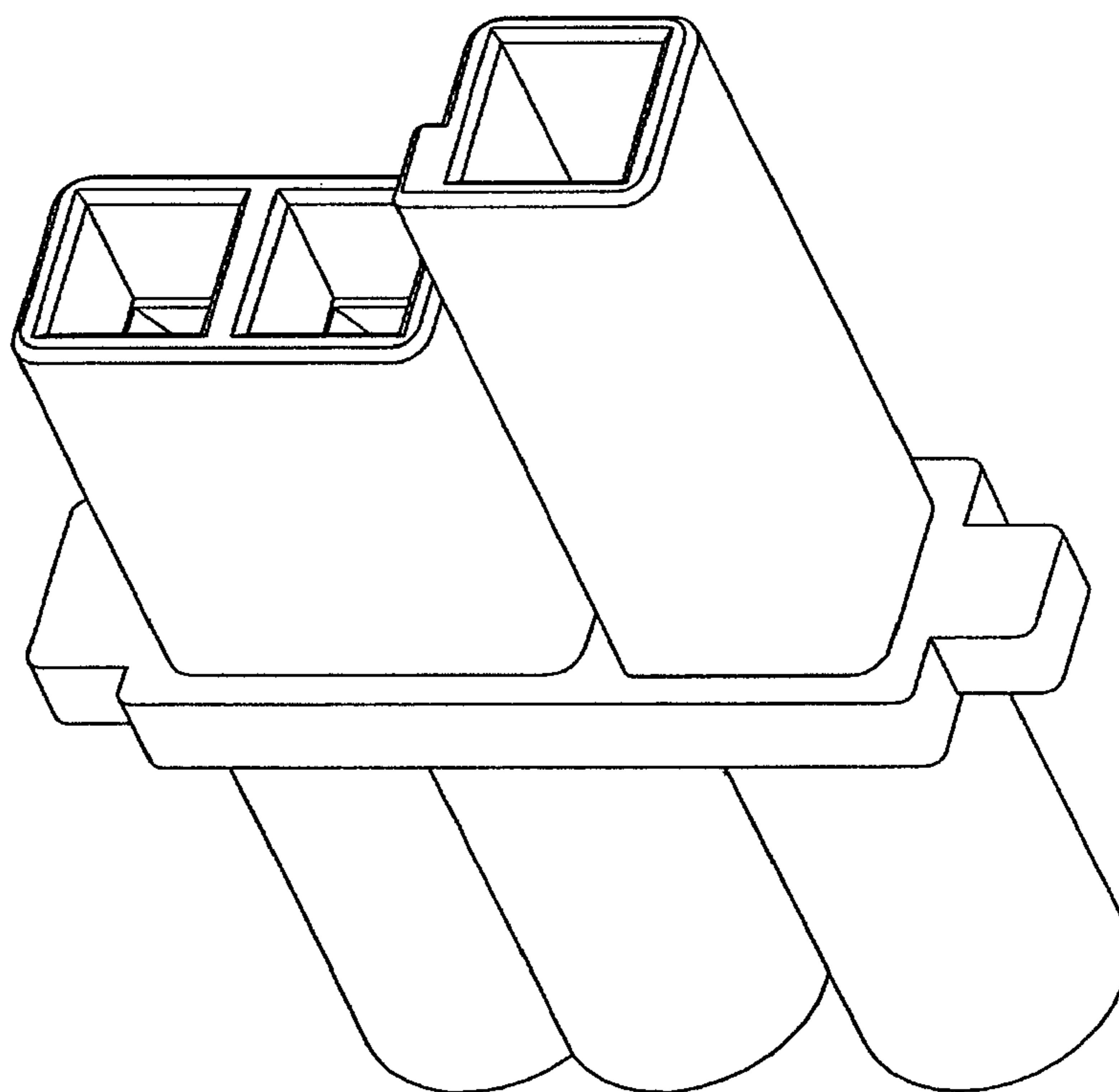


Fig. 2

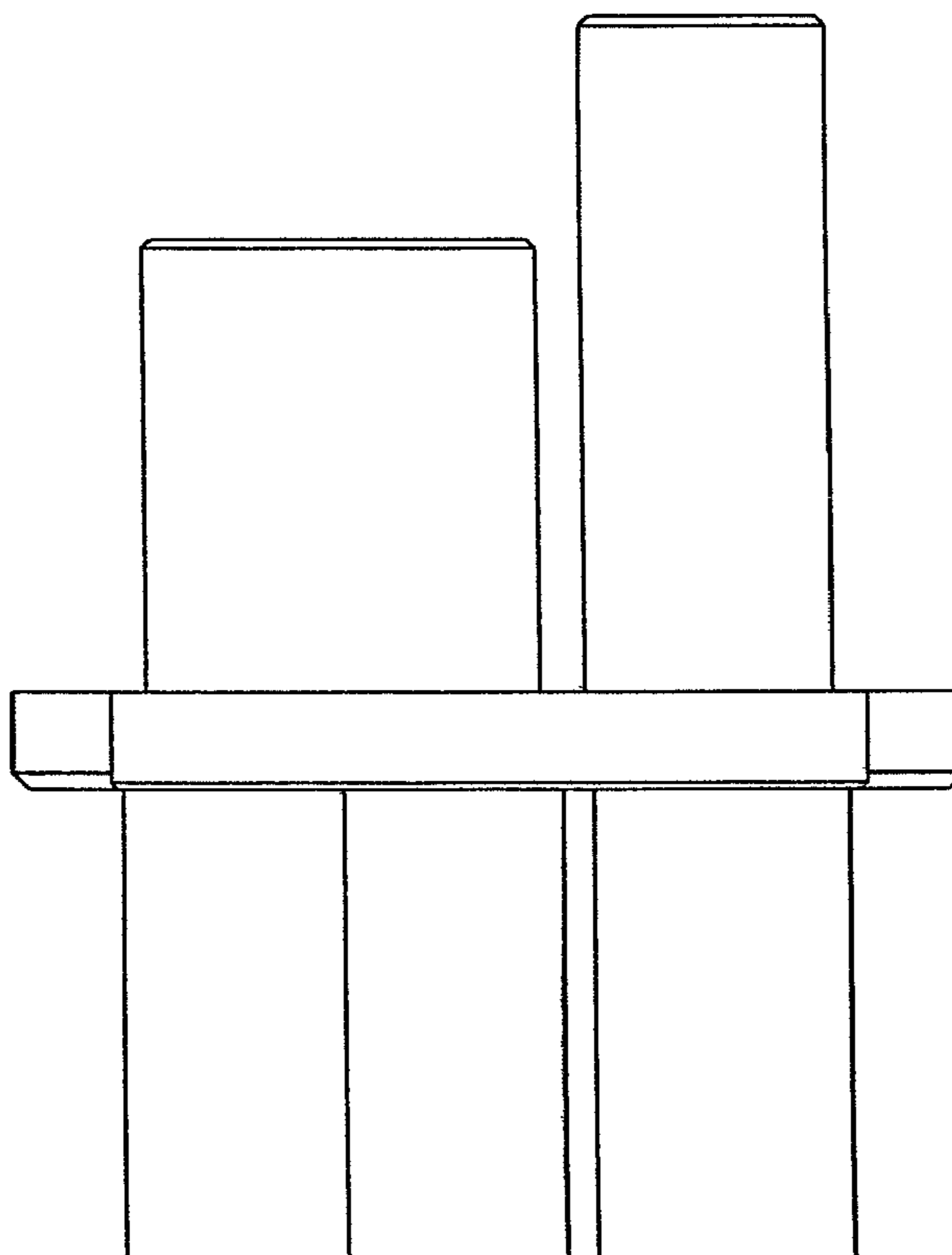


Fig. 3

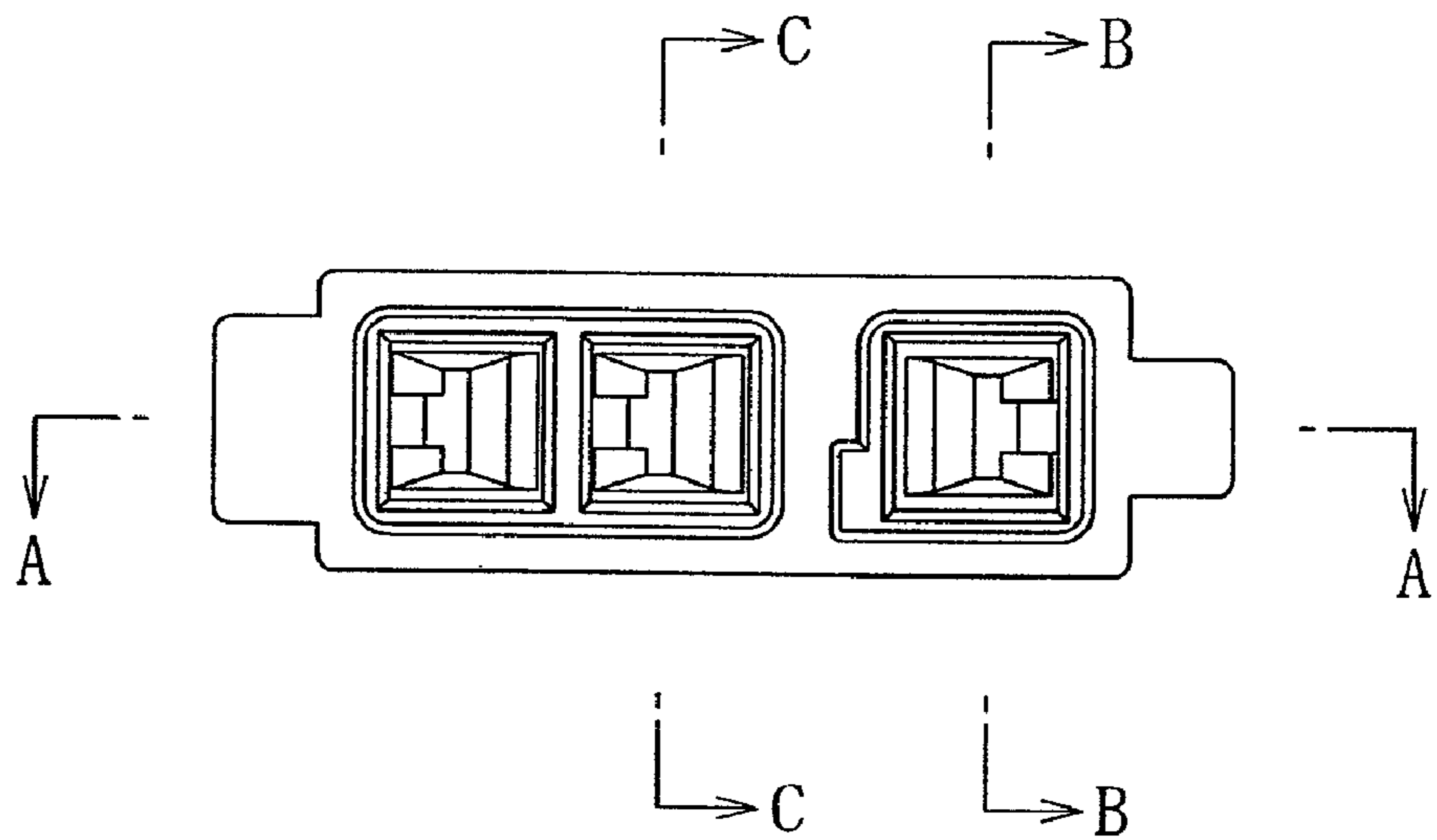


Fig. 4

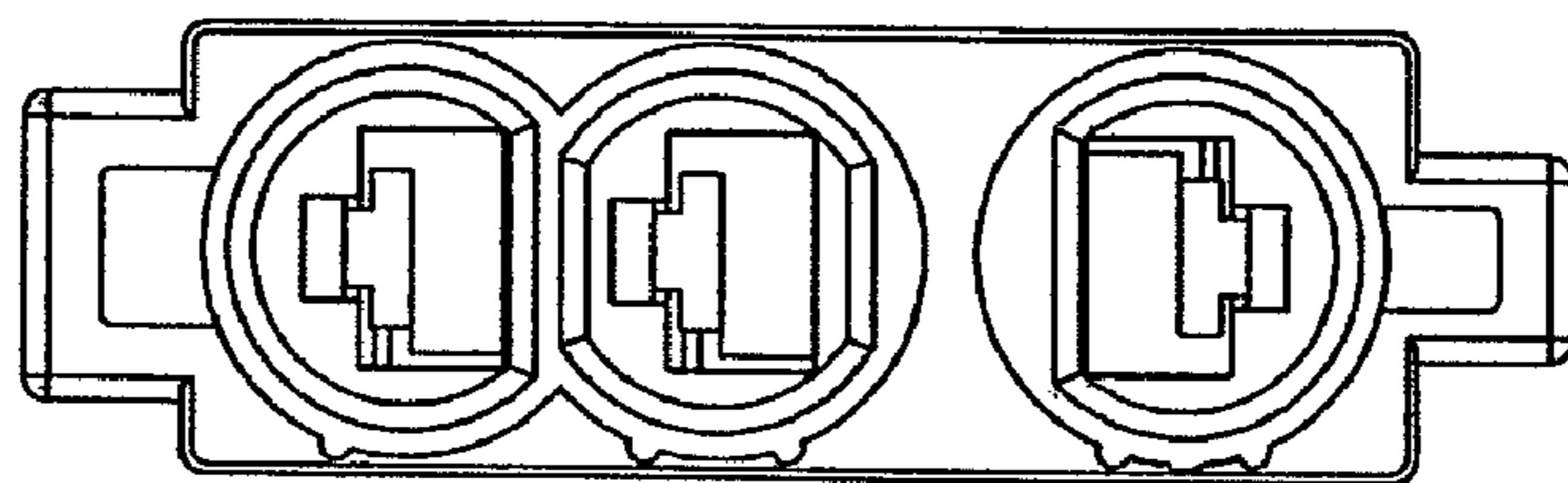


Fig. 5

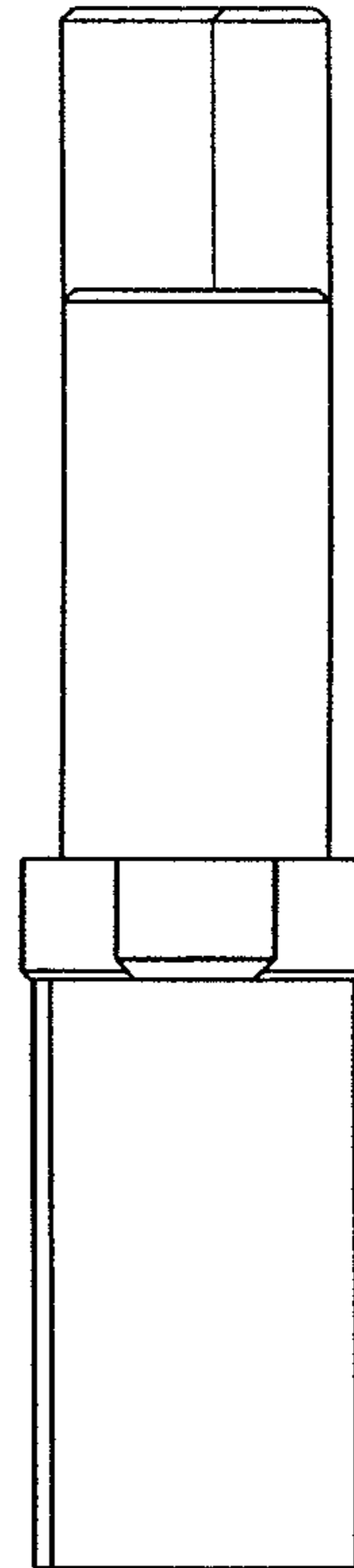


Fig. 6

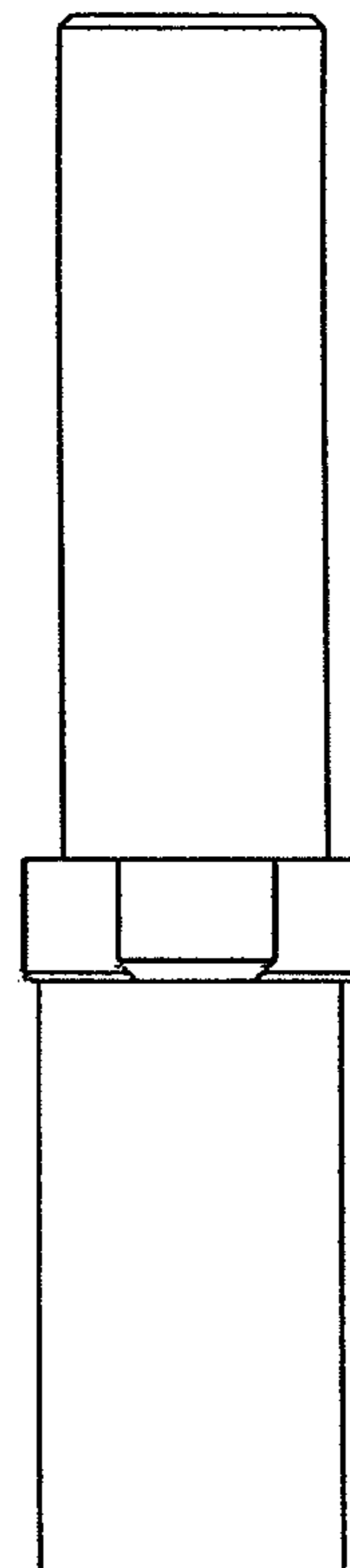


Fig. 7

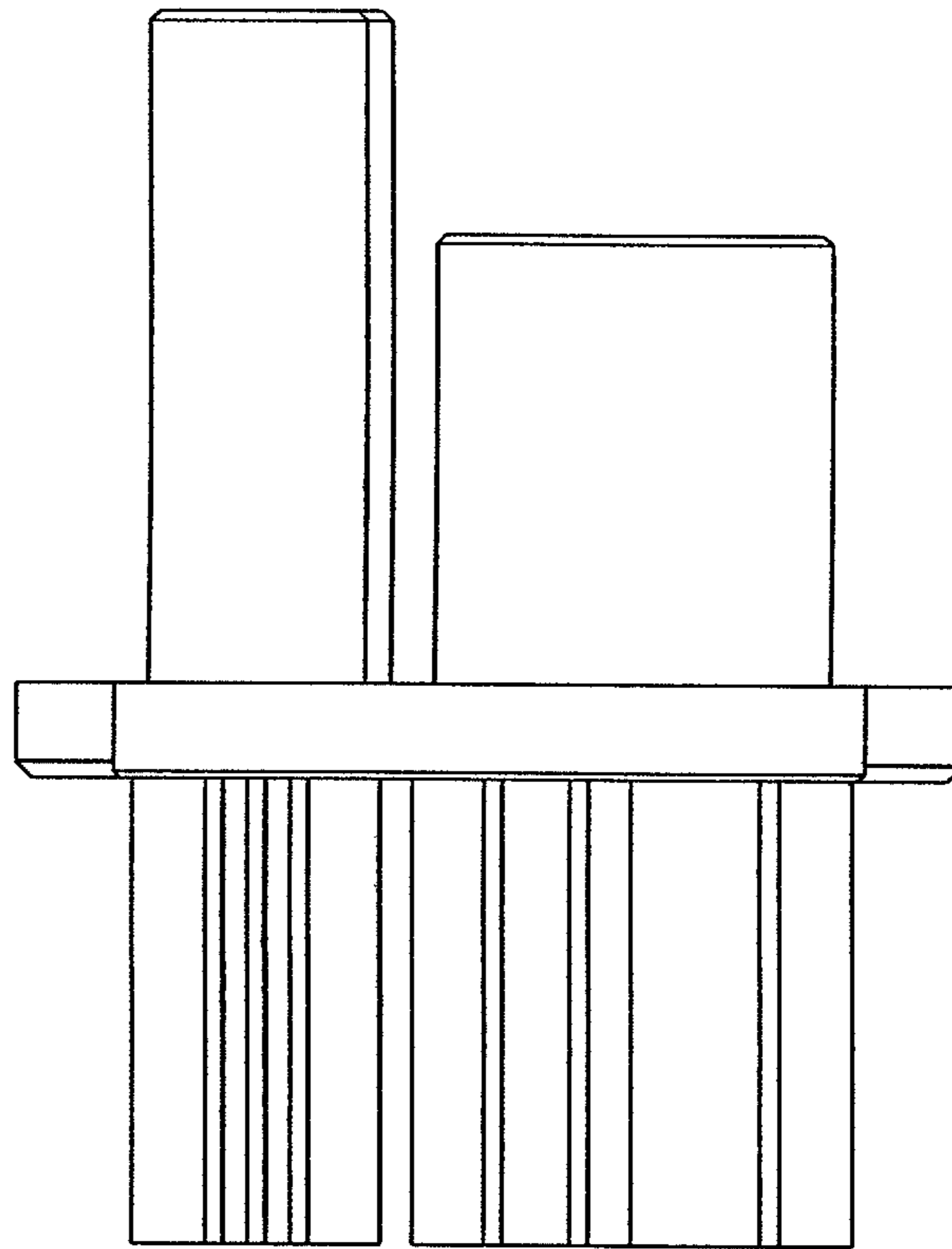


Fig. 8

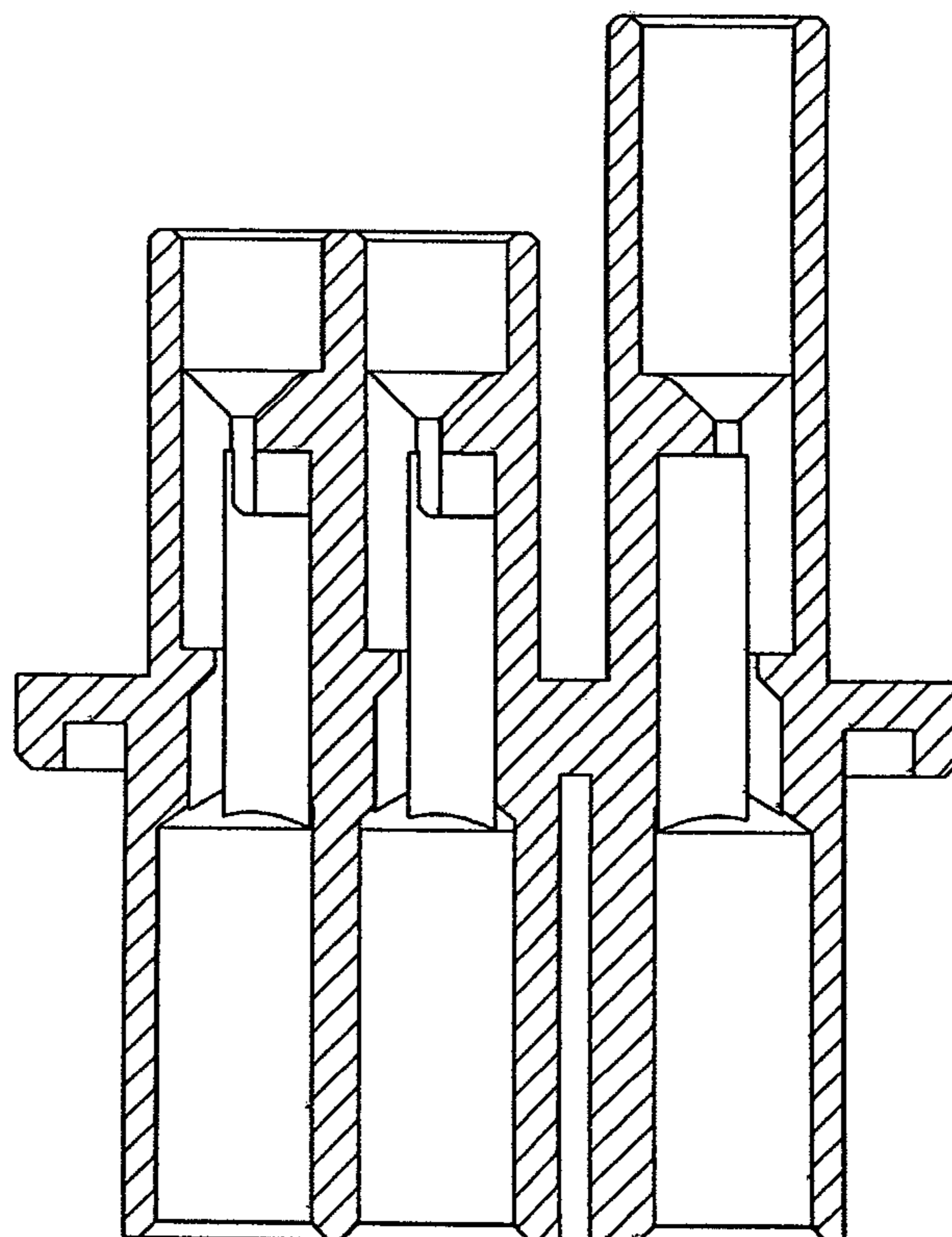


Fig. 9

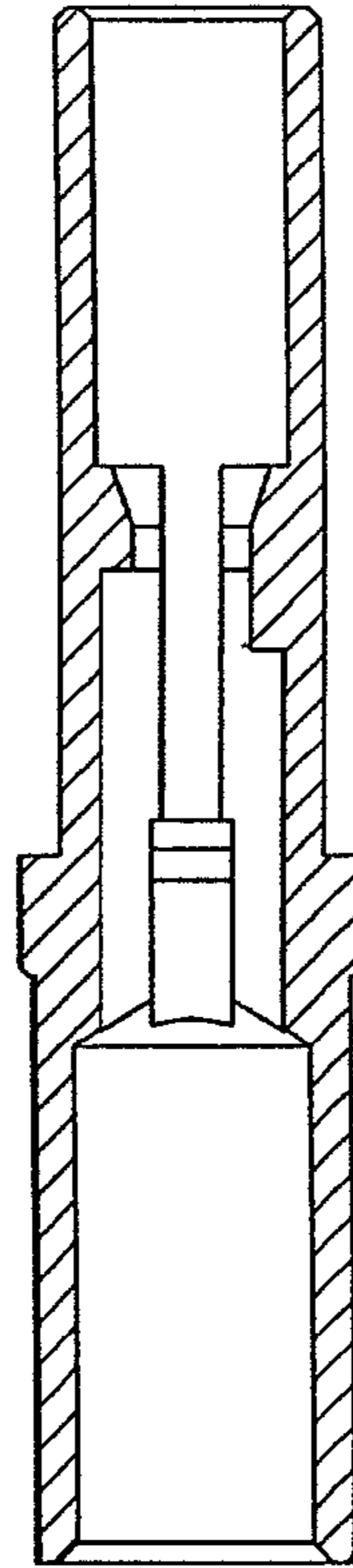


Fig. 10

