



US00D600642S

(12) **United States Design Patent**
Biery et al.

(10) **Patent No.:** **US D600,642 S**

(45) **Date of Patent:** **** *Sep. 22, 2009**

(54) **LAMP CONTROL MODULE**

(75) Inventors: **Ethan Charles Biery**, Orefield, PA (US); **Michael Hash**, West Conshohocken, PA (US); **Marc D'Urbano**, Lansdale, PA (US); **Elliot G. Jacoby**, Glenside, PA (US); **Gregory Altonen**, Easton, PA (US); **Noel Mayo**, Philadelphia, PA (US)

(73) Assignee: **Lutron Electronics Co., Inc.**, Coopersburg, PA (US)

(*) Notice: This patent is subject to a terminal disclaimer.

(**) Term: **14 Years**

(21) Appl. No.: **29/318,103**

(22) Filed: **May 13, 2008**

(51) **LOC (9) Cl.** **13-03**

(52) **U.S. Cl.** **D13/134**

(58) **Field of Classification Search** D13/134-136, D13/151, 154, 158, 162, 174, 184, 199; 439/336, 439/602; D26/24, 60, 106, 113; 313/318.12; 362/103, 105, 581

See application file for complete search history.

(56) **References Cited**

U.S. PATENT DOCUMENTS

4,211,959 A 7/1980 Deavenport et al.
4,591,765 A 5/1986 Beck
4,630,248 A 12/1986 Scott

OTHER PUBLICATIONS

Intermatic Corporation, General Catalog, 2007, pp. cover, 124, rear cover.
Intermatic Corporation, Model HA05 Screw-In Lamp Module Installation Instructions, not dated, 2 pages.
Intermatic Corporation, NE1C Product Fact Sheet, Jun. 12, 2002, 1 page.

Intermatic Corporation, NE2C Product Fact Sheet, Jun. 12, 2002, 1 page.

Intermatic Corporation, NE200C Product Fact Sheet, Jun. 12, 2002, 1 page.

Intermatic Corporation, NE250C Product Fact Sheet, May 28, 2002, 1 page.

DESA, Ltd., Ace Remote Controlled Products Installation Instructions, 2005, 32 pages.

(Continued)

Primary Examiner—Daniel D Bui

Assistant Examiner—Thomas J Johannes

(74) *Attorney, Agent, or Firm*—Mark E. Rose; Philip N. Smith

(57) **CLAIM**

We claim the ornamental design for a lamp control module, as shown and described.

DESCRIPTION

FIG. 1 is a top perspective view of a lamp control module according to a first embodiment of our new design.

FIG. 2 is a bottom perspective view thereof.

FIG. 3 is a front view thereof.

FIG. 4 is a rear view thereof.

FIG. 5 is a left side view thereof.

FIG. 6 is a right side view thereof.

FIG. 7 is a top view thereof.

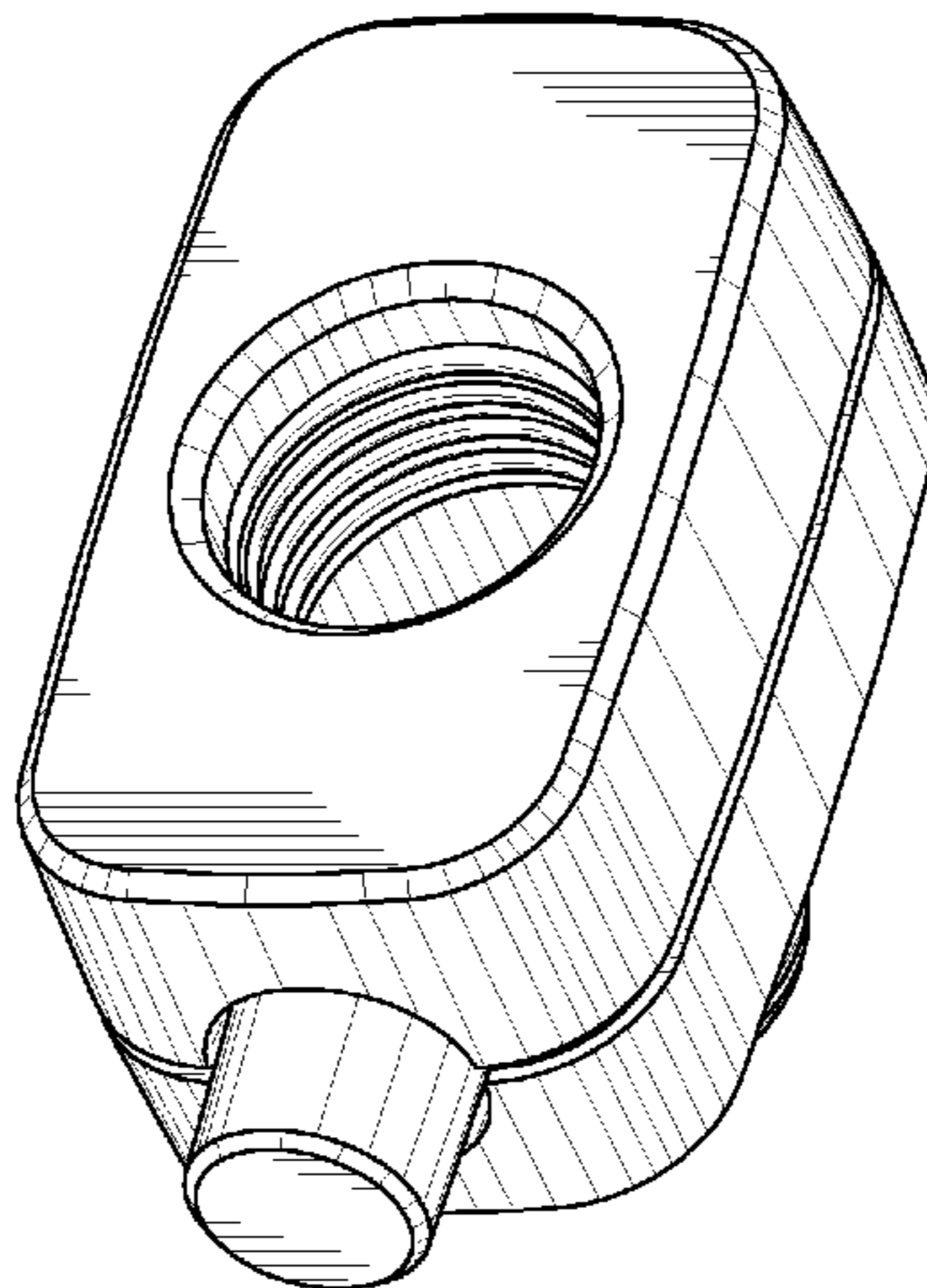
FIG. 8 is a bottom view thereof.

FIG. 9 is a bottom perspective view of a lamp control module according to a second embodiment of our new design.

FIG. 10 is a front view thereof; and,

FIG. 11 is a bottom view thereof, the top perspective, rear, left side, right side, and top views, respectively, of the second embodiment being identical to the top perspective, rear, left side, right side, and top views of the first embodiment.

1 Claim, 6 Drawing Sheets



US D600,642 S

Page 2

U.S. PATENT DOCUMENTS

4,632,490 A * 12/1986 Von Gunten 439/642
4,654,541 A 3/1987 Angott
D292,793 S * 11/1987 Reid, III D13/134
D310,064 S * 8/1990 Cheng D13/165
D320,595 S * 10/1991 Fenne D13/158
5,121,287 A 6/1992 Lee
D350,730 S * 9/1994 Ayotte D13/162
D354,730 S * 1/1995 Collins D13/125
D364,142 S * 11/1995 Metcalfe et al. D13/134
D367,847 S * 3/1996 Tarulli et al. D13/158
5,962,992 A 10/1999 Huang et al.
D435,832 S * 1/2001 Jilani D13/158
6,390,646 B1 5/2002 Yan
6,494,730 B1 12/2002 Yan
6,531,824 B1 3/2003 Yan
RE38,069 E 4/2003 Posa
6,779,911 B2 8/2004 Chang
6,802,730 B2 10/2004 Chang
6,888,320 B2 5/2005 Denes
D517,480 S * 3/2006 Luo D13/134

7,125,159 B2 10/2006 Hirsch et al.
D583,761 S * 12/2008 Schenck D13/134
2005/0013196 A1 1/2005 Russo

OTHER PUBLICATIONS

DESA, Ltd., Heath/Zenith Remote Controlled Products Installation Instructions, 2002, 20 pages.
DESA, Ltd., Heath/Zenith Wireless Lamp/Outlet Modules Installation Instructions, 2001, 12 pages.
U.S. Appl. No. 11/835,950, filed Aug. 8, 2007, Newman, Jr. et al.
U.S. Appl. No. 12/033,329, filed Feb. 19, 2008, Biery et al.
U.S. Appl. No. 29/284,791, filed Sep. 14, 2007, Biery et al.
U.S. Appl. No. 29/303,574, filed Feb. 12, 2008, Biery et al.
U.S. Appl. No. 29/306,367, filed Apr. 8, 2008, Biery et al.
Lutron Electronics Co., Inc., Stanza Lamp Socket Dimmer/Switch Specification Submittal Sheet, Feb. 13, 2008, 4 pages.
Lutron Electronics Co., Inc., Stanza Hotel Guestroom Light Control Brochure, Feb. 20, 2008, 12 pages.
Leviton Manufacturing Co., Inc., Lighting and Fan Speed Controls Product Guide, 2006, front cover, p. 7, rear cover.

* cited by examiner

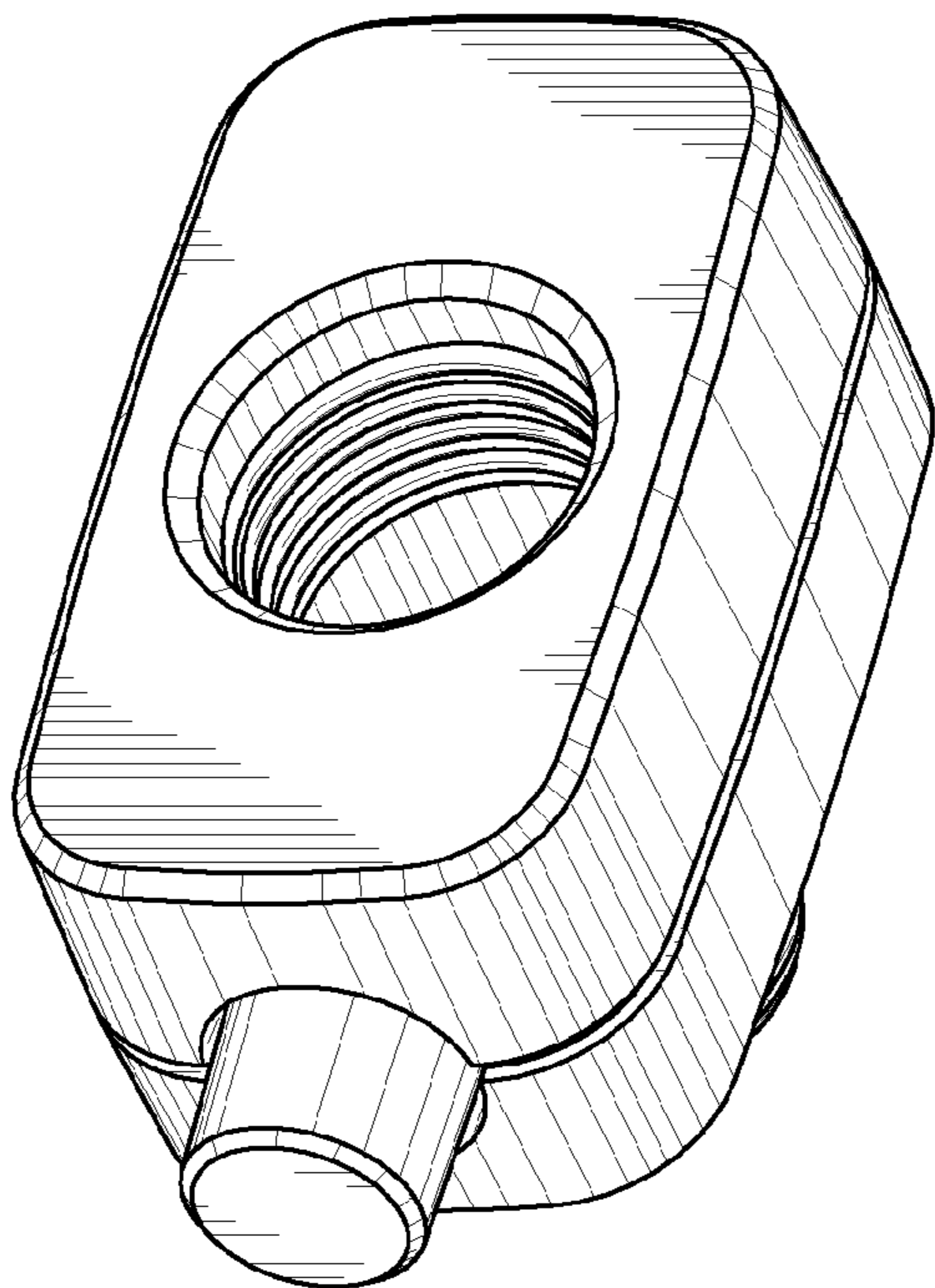


Fig. 1

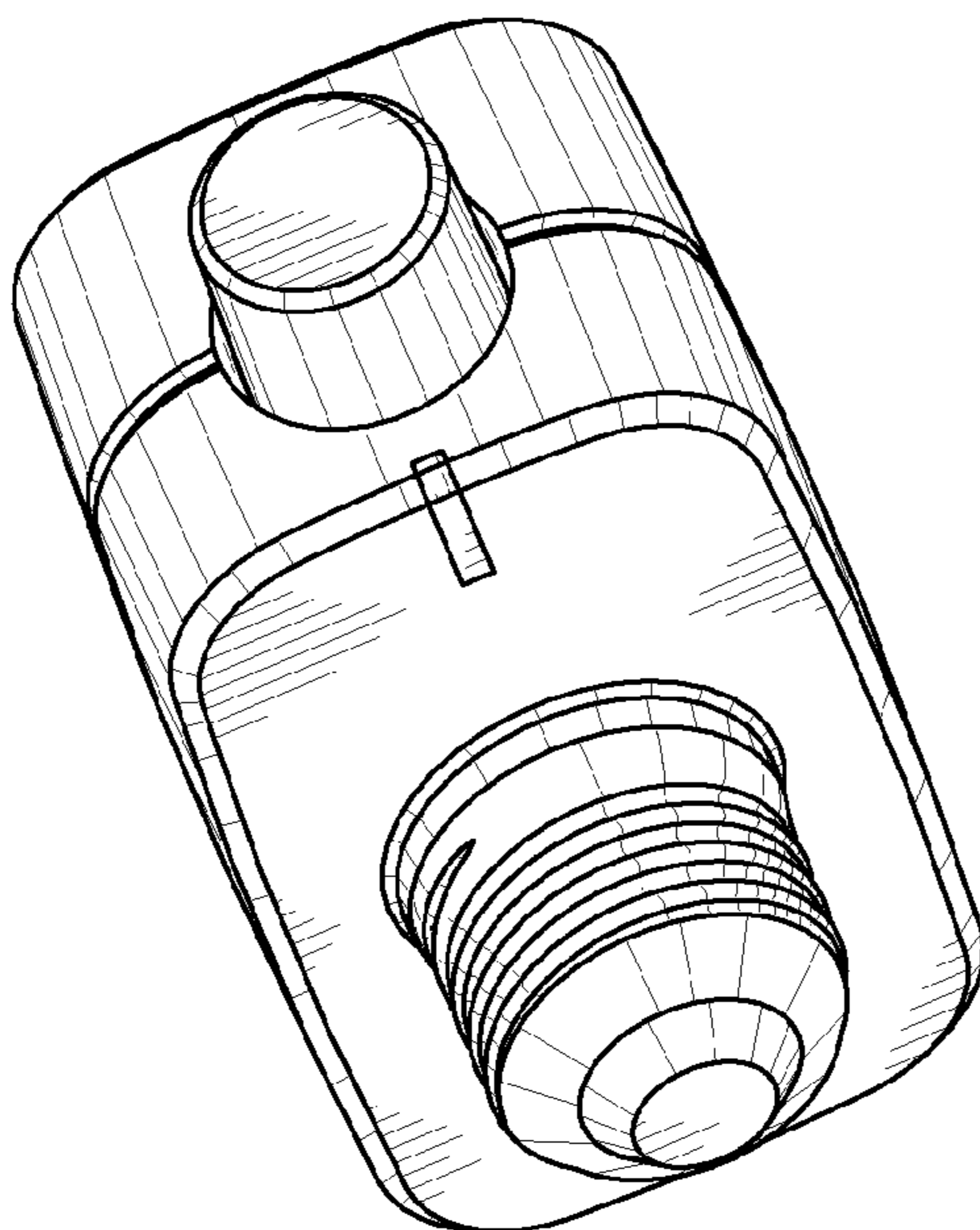


Fig. 2

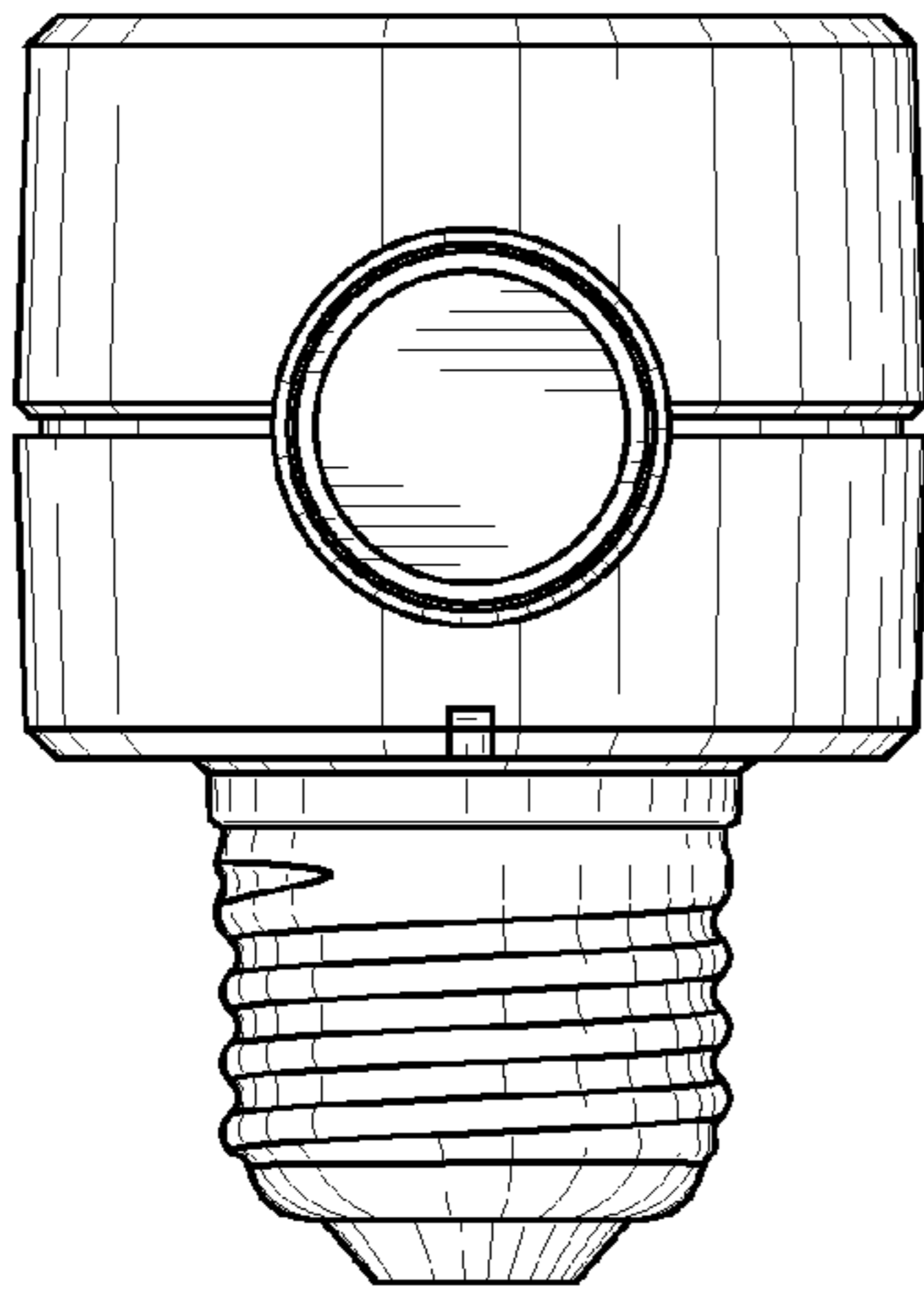


Fig. 3

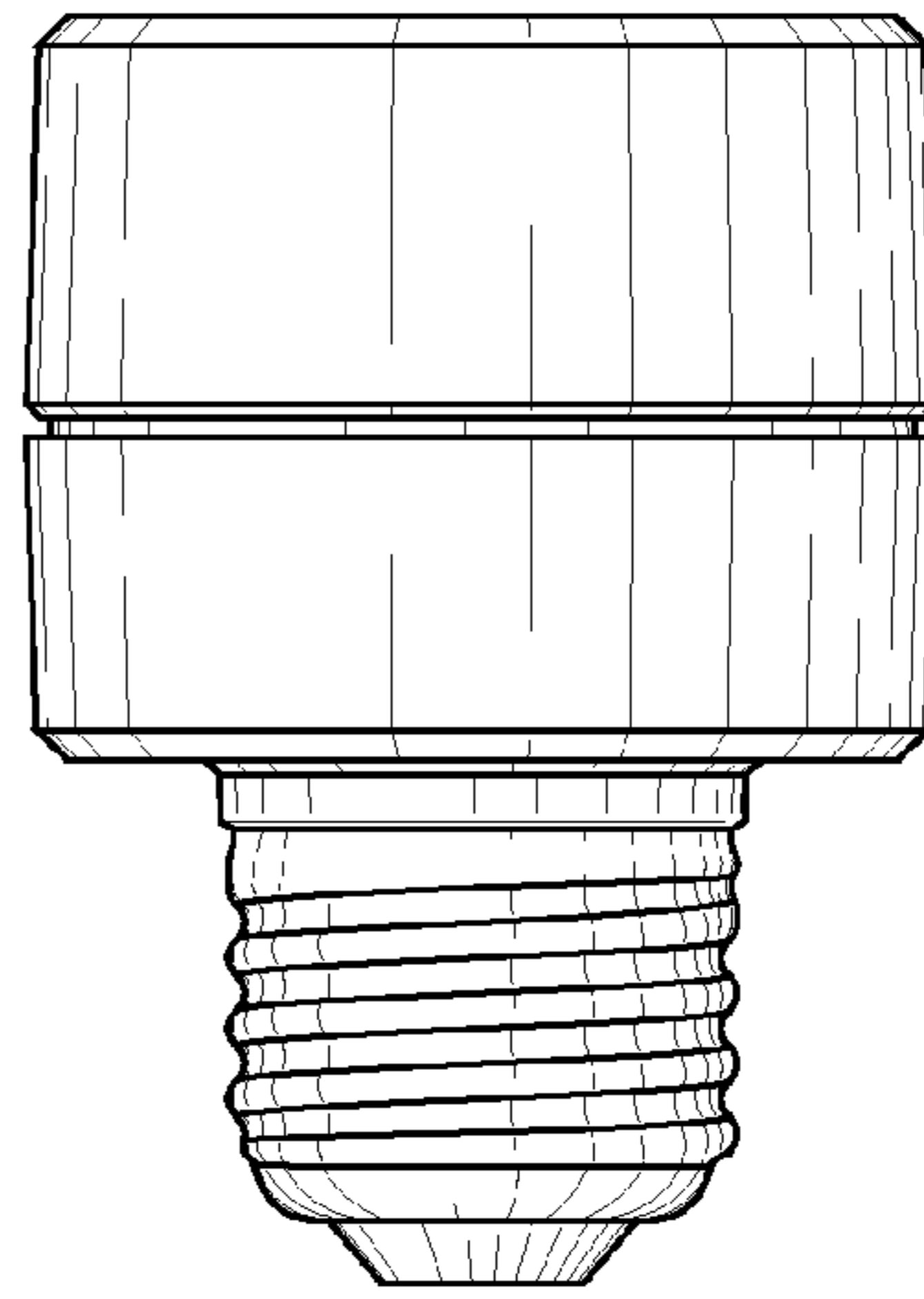


Fig. 4

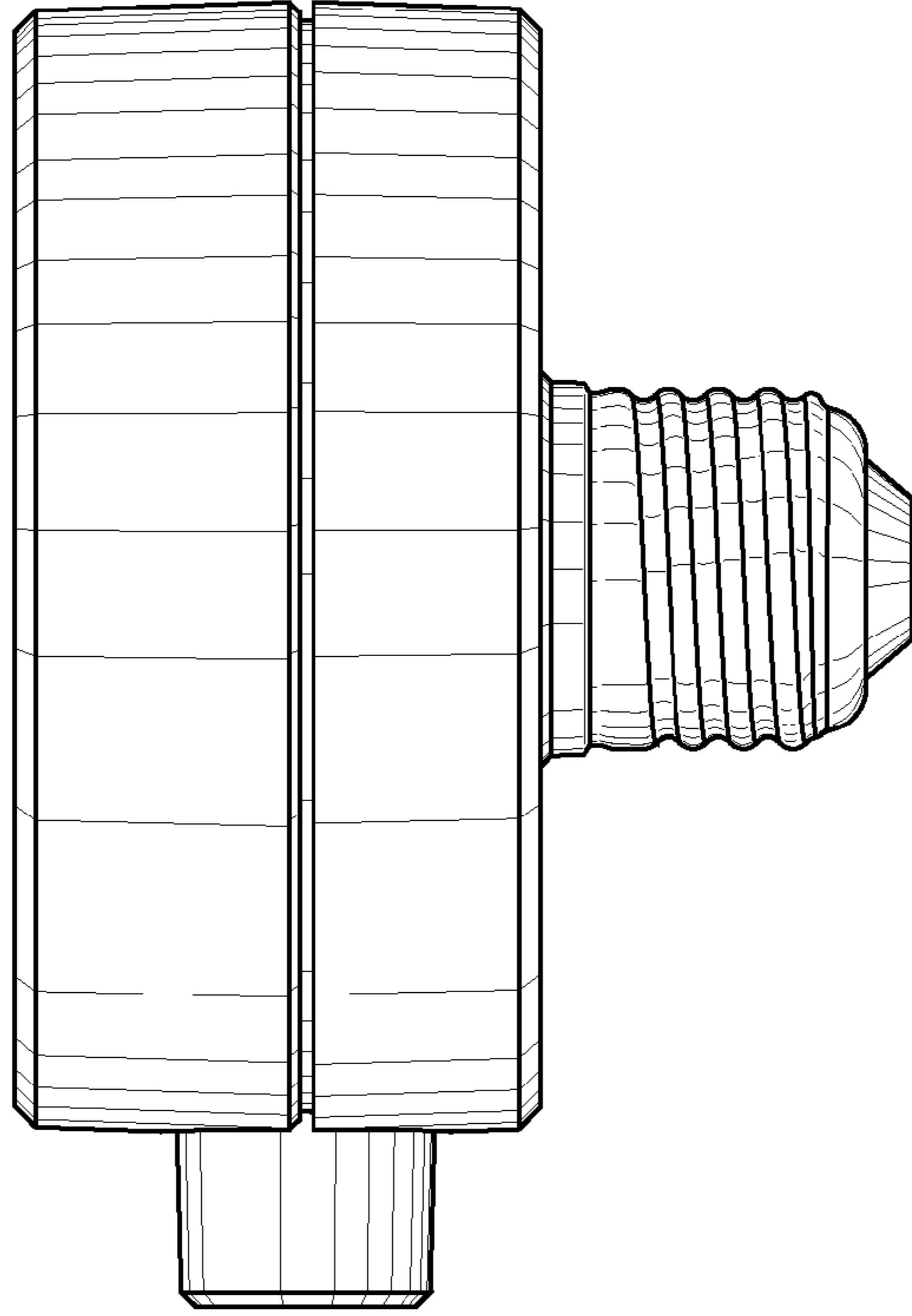


Fig. 6

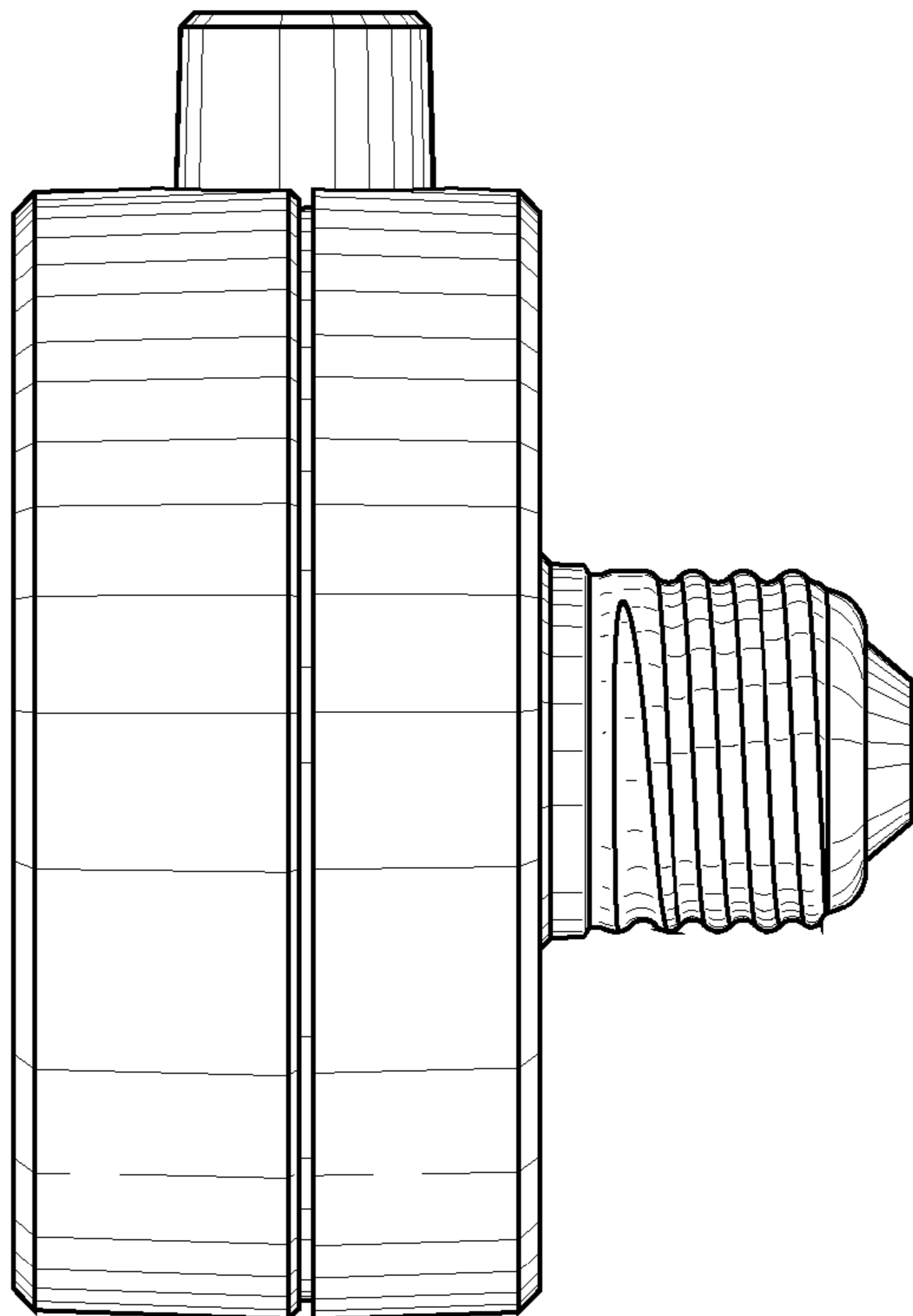


Fig. 5

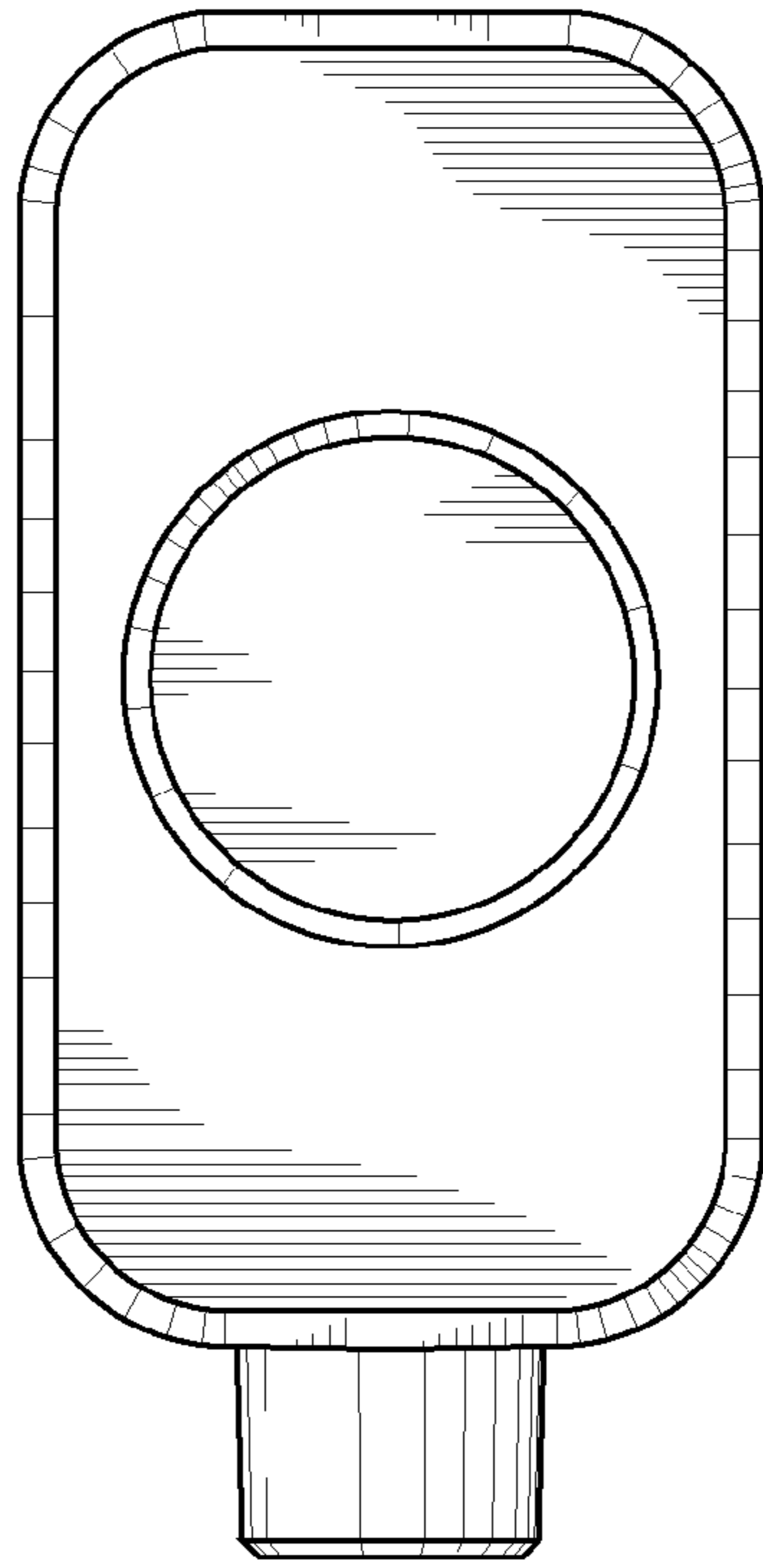


Fig. 7

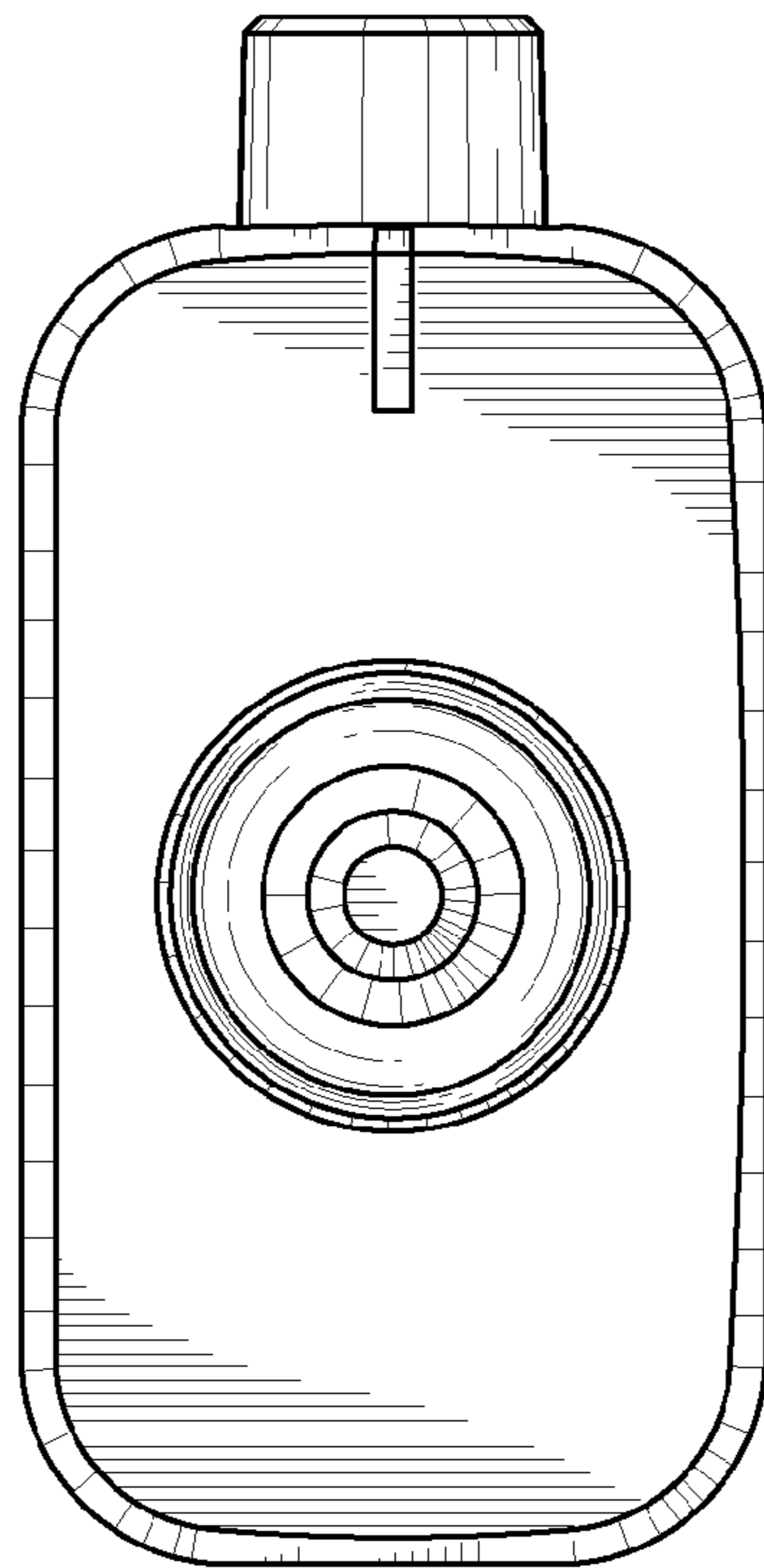


Fig. 8

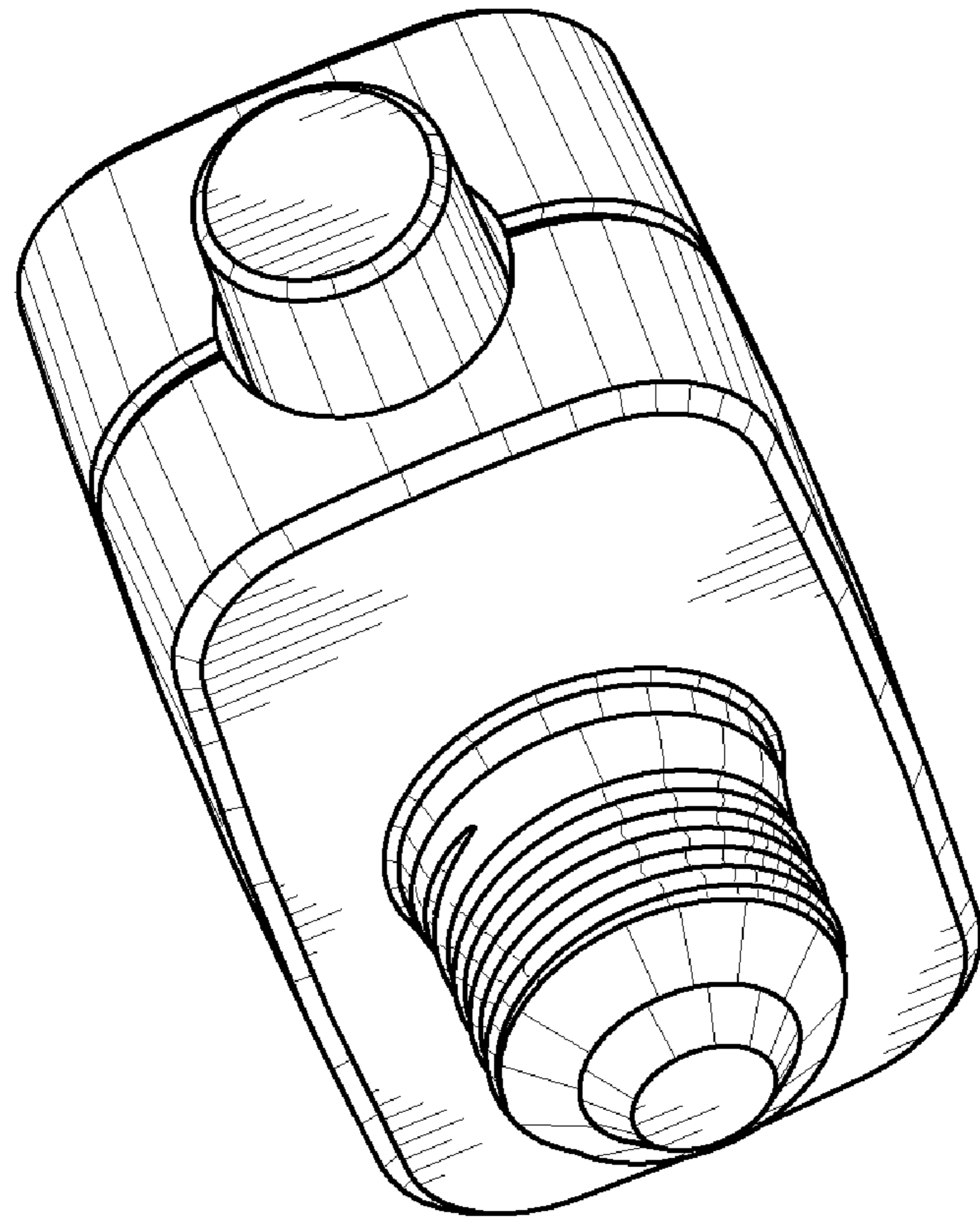


Fig. 9

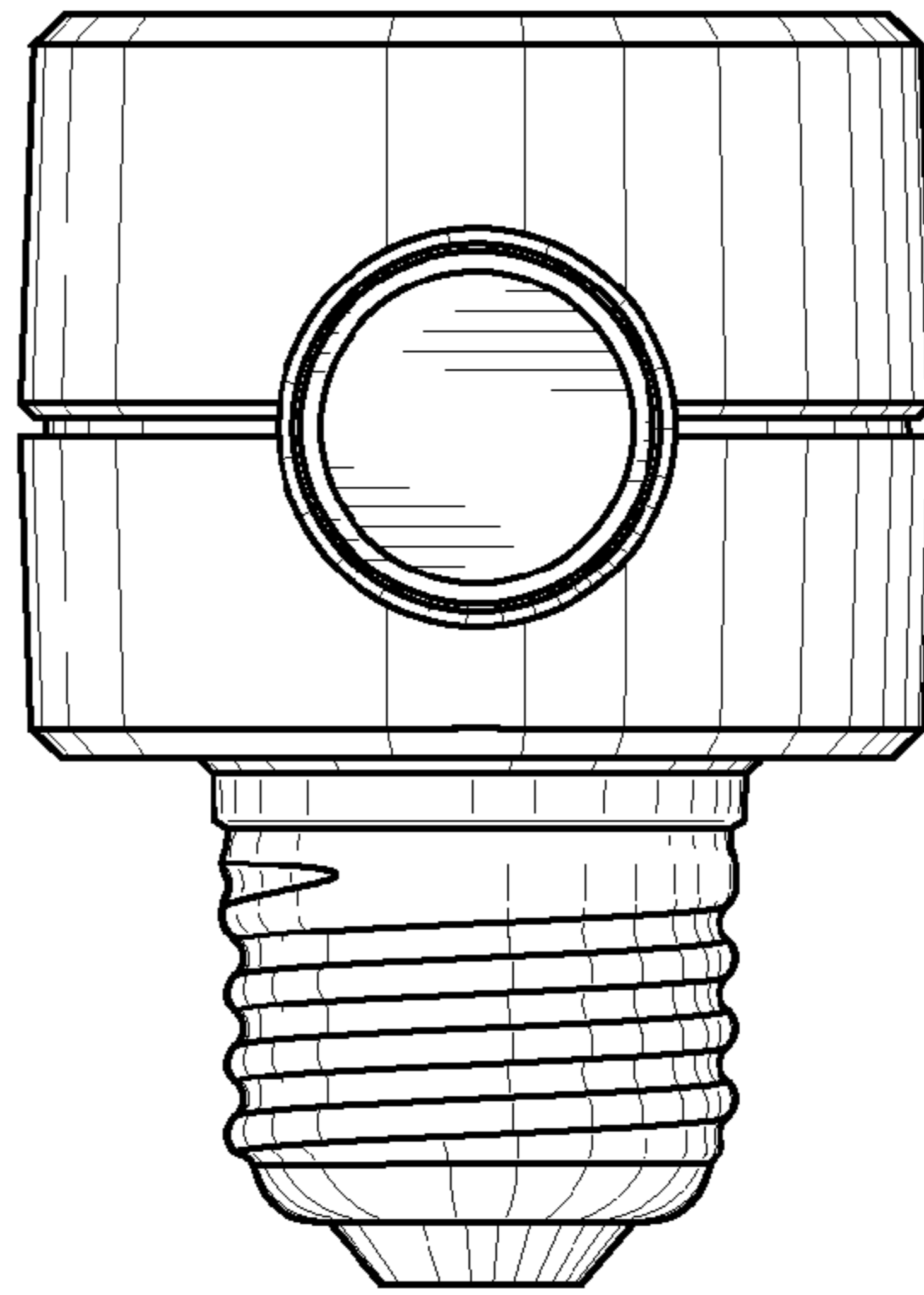


Fig. 10

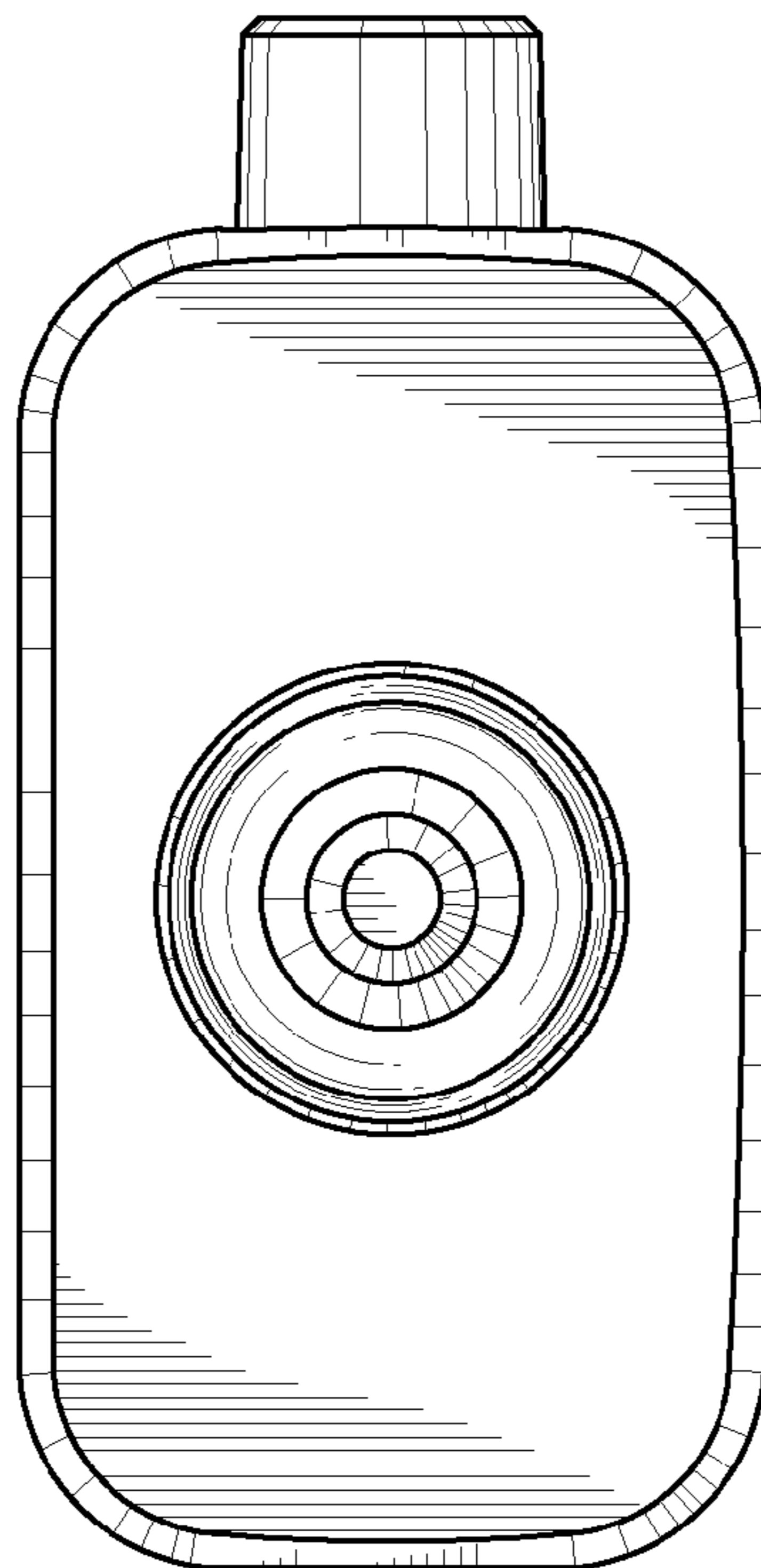


Fig. 11