



US00D600639S

(12) **United States Design Patent**
Tang

(10) **Patent No.:** **US D600,639 S**

(45) **Date of Patent:** **** Sep. 22, 2009**

(54) **BATTERY PACK**

(75) Inventor: **Sing Sum Tang**, Hunghom (HK)

(73) Assignee: **Samson Bright Industrial Company Limited**, Kowloon (HK)

(**) Term: **14 Years**

(21) Appl. No.: **29/306,159**

(22) Filed: **Apr. 3, 2008**

(51) **LOC (9) Cl.** **13-02**

(52) **U.S. Cl.** **D13/103**

(58) **Field of Classification Search** D13/102–106,
D13/110, 118–119, 184; 429/96–100, 163,
429/176

See application file for complete search history.

(56) **References Cited**

U.S. PATENT DOCUMENTS

| | | | | | |
|-----------|-----|---------|------------------|-------|---------|
| 1,075,556 | A * | 10/1913 | Fenoughty | | 429/99 |
| D344,061 | S * | 2/1994 | Tse | | D13/103 |
| D370,201 | S * | 5/1996 | Okano et al. | | D13/103 |
| 5,736,271 | A * | 4/1998 | Cisar et al. | | 429/96 |
| D400,493 | S * | 11/1998 | Witkowski et al. | | D13/103 |
| D405,754 | S * | 2/1999 | Barkley et al. | | D13/103 |
| D434,722 | S * | 12/2000 | Zolyomi et al. | | D13/103 |
| D491,888 | S * | 6/2004 | Lee | | D13/103 |
| D569,536 | S * | 5/2008 | Henderson | | D26/37 |

| | | | | | |
|----------|-----|--------|---------------|-------|---------|
| D571,289 | S * | 6/2008 | Michaeli | | D13/103 |
| D574,768 | S * | 8/2008 | Witte | | D13/103 |
| D576,545 | S * | 9/2008 | Mandel et al. | | D13/103 |
| D577,333 | S * | 9/2008 | Daniel et al. | | D13/103 |

* cited by examiner

Primary Examiner—Jennifer Rivard

Assistant Examiner—Rosemary K Tarcza

(74) *Attorney, Agent, or Firm*—Merchant & Gould P.C.

(57) **CLAIM**

The ornamental design for a battery pack, as shown and described.

DESCRIPTION

FIG. 1 is a front view of a battery pack showing my new design;

FIG. 2 is a rear view thereof;

FIG. 3 is a left side view thereof;

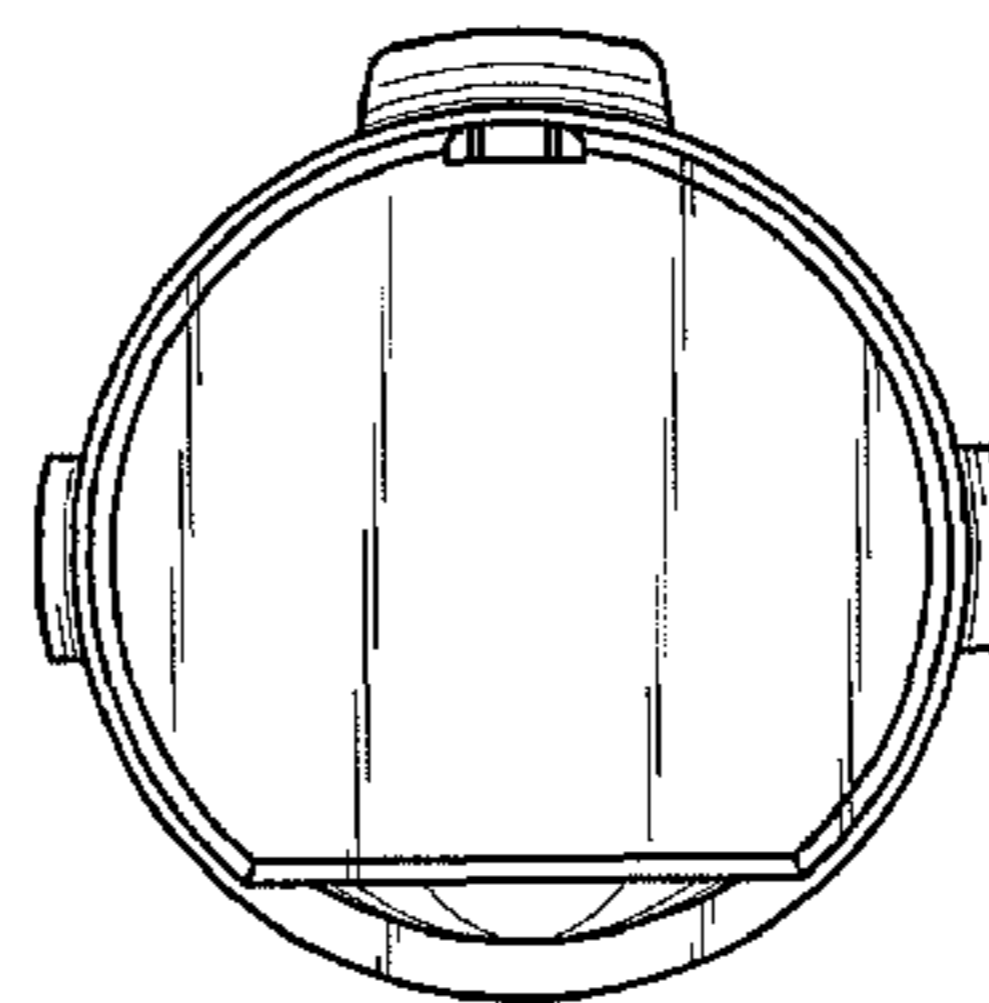
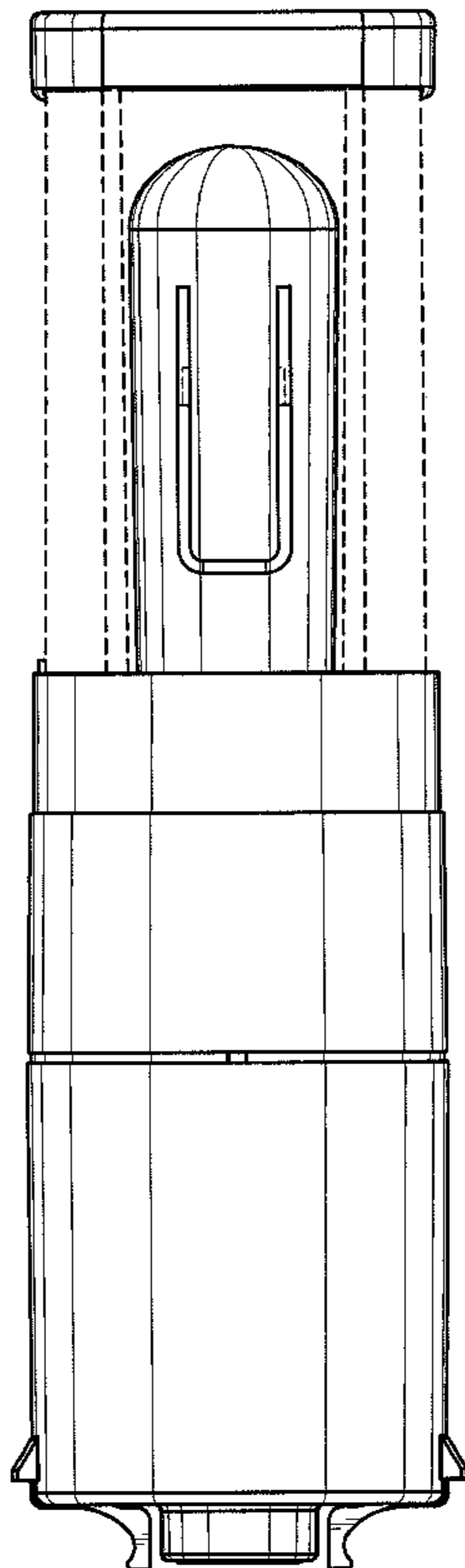
FIG. 4 is a right side view thereof;

FIG. 5 is a top view thereof; and,

FIG. 6 is a bottom view thereof.

The broken lines showing the remainder of the battery pack are included for the purpose of illustrating environmental structure and form no part of the claimed design.

1 Claim, 3 Drawing Sheets



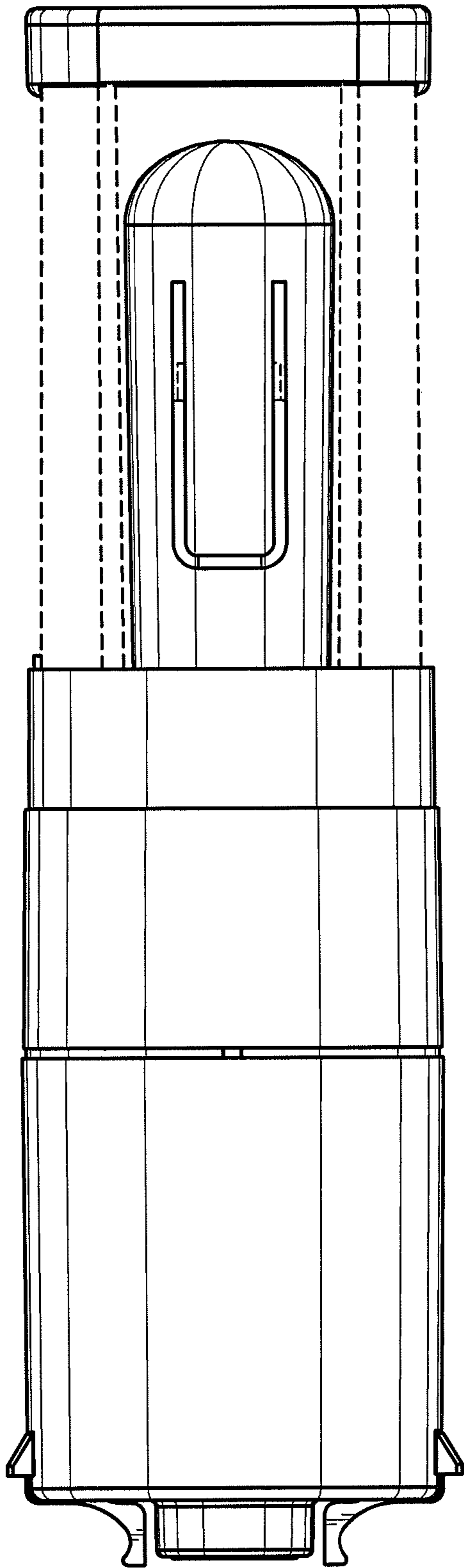


FIG. 1

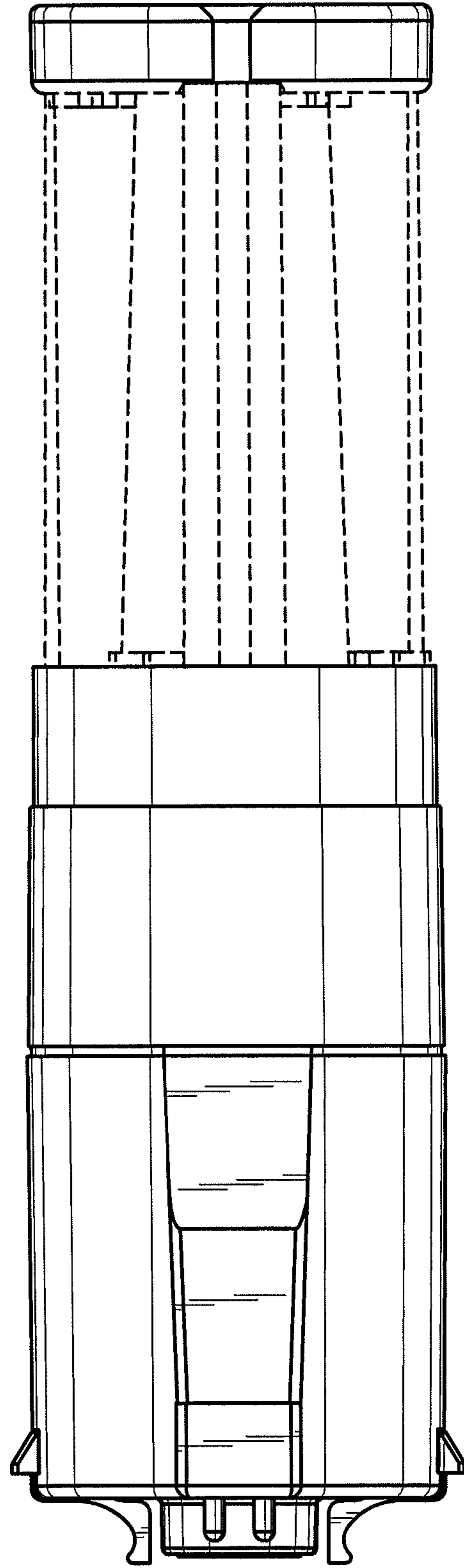


FIG. 2

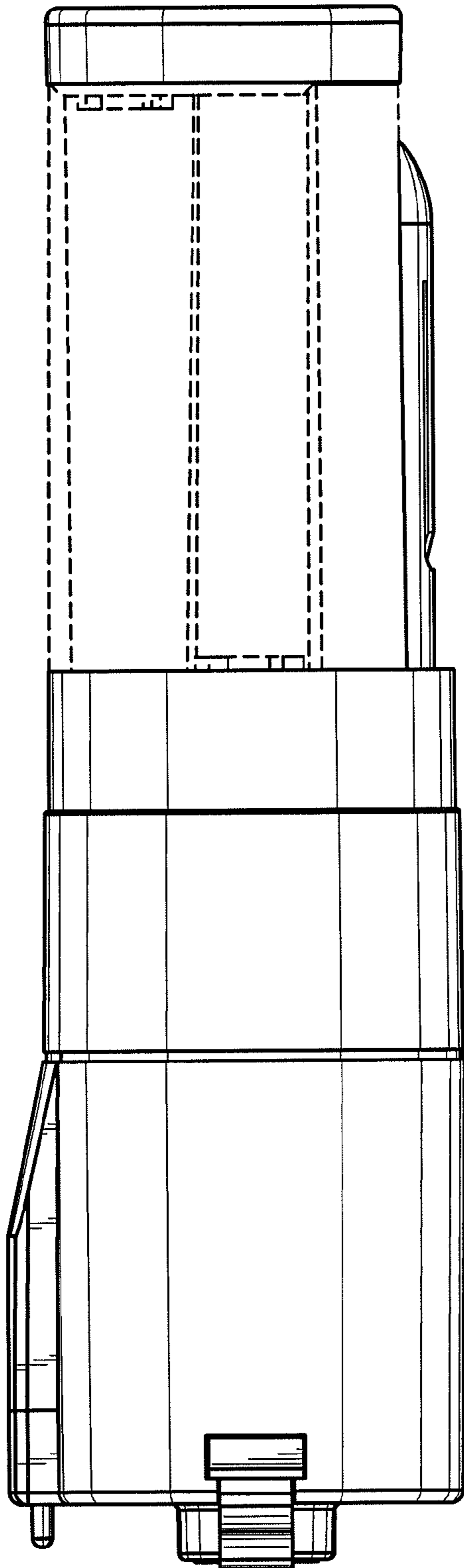


FIG. 3

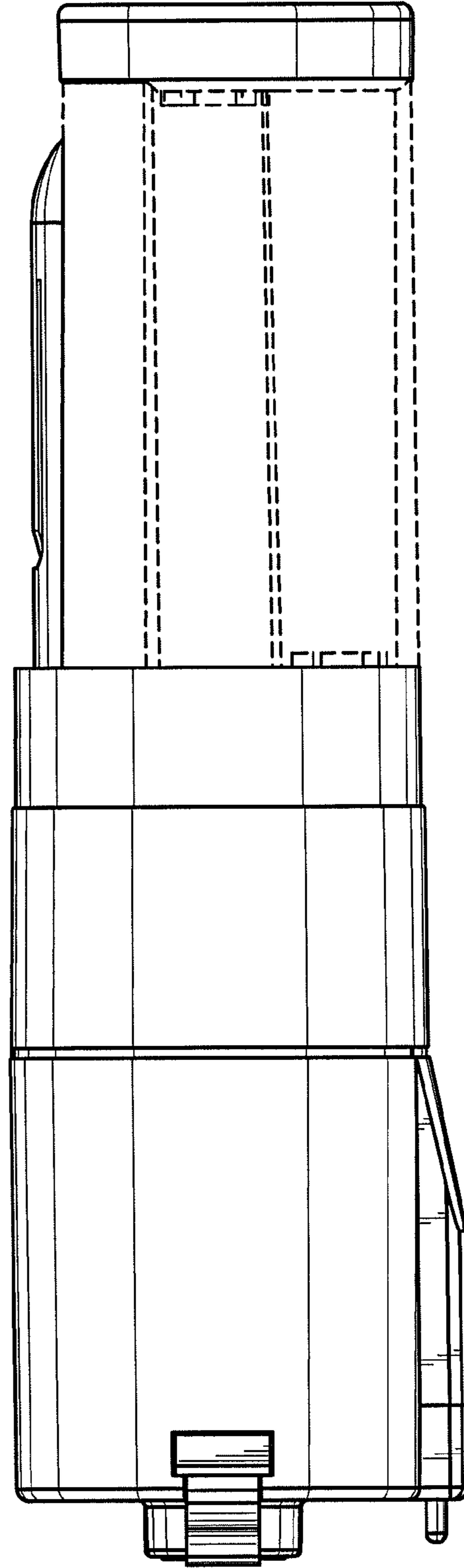


FIG. 4

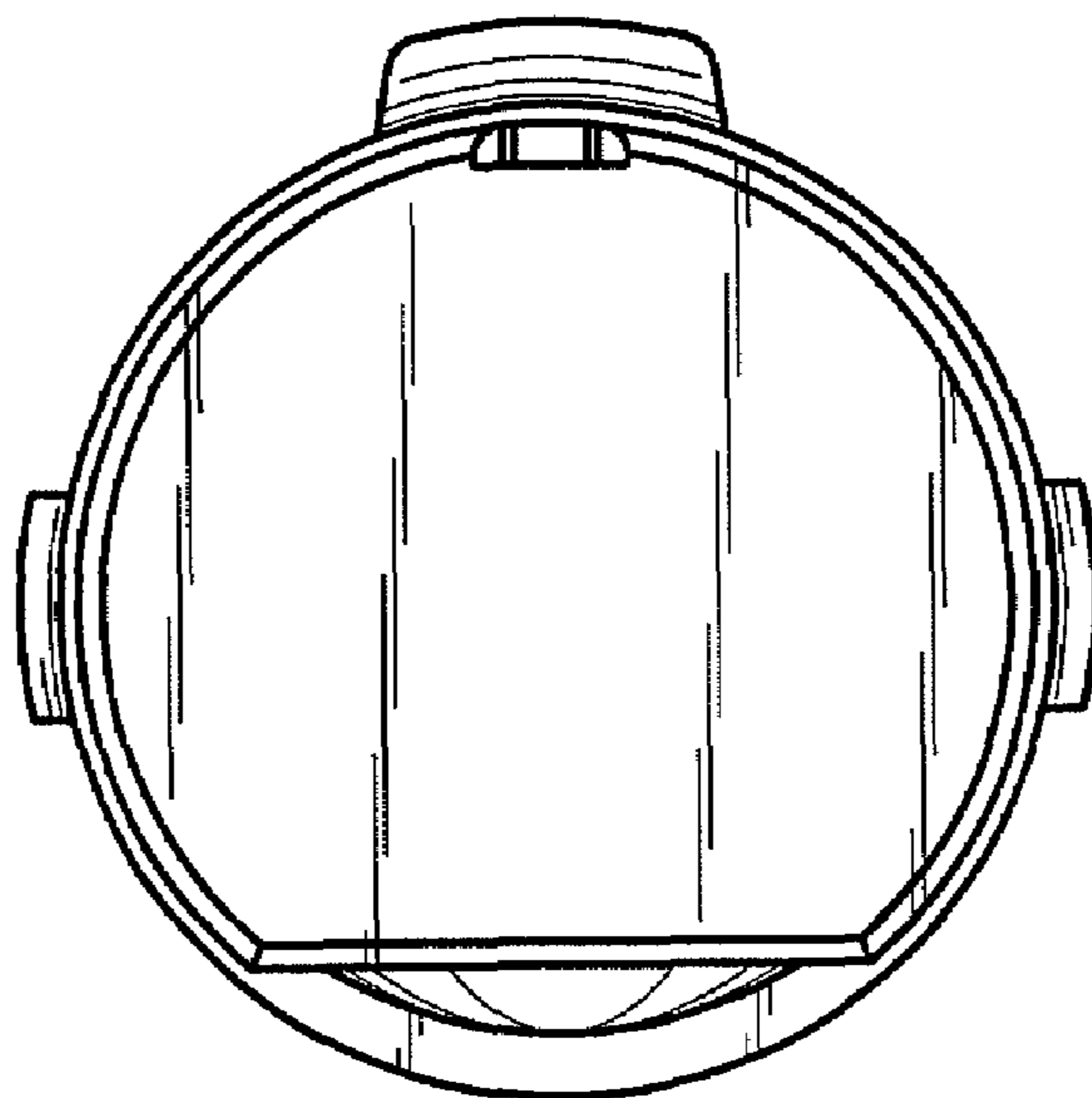


FIG. 5

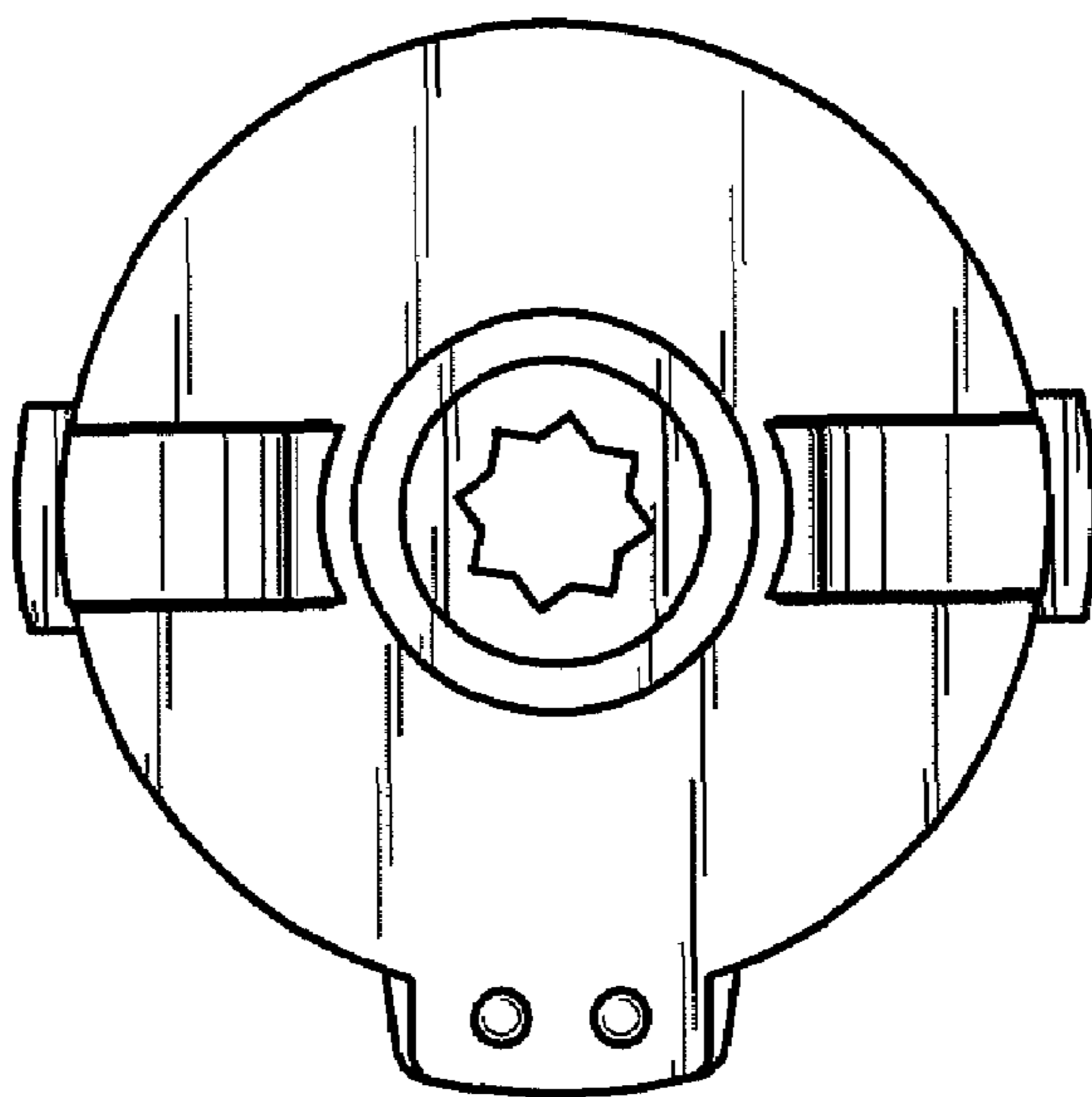


FIG. 6