



US00D600630S

(12) **United States Design Patent**
Shibata

(10) **Patent No.:** **US D600,630 S**

(45) **Date of Patent:** **** Sep. 22, 2009**

(54) **TIRE TREAD**

(75) Inventor: **Kenichi Shibata**, Tokyo (JP)

(73) Assignee: **Bridgestone Corporation**, Tokyo (JP)

(**) Term: **14 Years**

(21) Appl. No.: **29/329,721**

(22) Filed: **Dec. 19, 2008**

(51) **LOC (9) Cl.** **12-15**

(52) **U.S. Cl.** **D12/528**

(58) **Field of Classification Search** D12/505-532,
D12/900-901; 152/209.1, 209.8-209.18,
152/209.25, 209.28

See application file for complete search history.

(56) **References Cited**

U.S. PATENT DOCUMENTS

D545,757 S * 7/2007 Fukunaga D12/528

D588,521 S * 3/2009 Tomatsu et al. D12/519

D590,765 S * 4/2009 Matsumoto D12/519

FOREIGN PATENT DOCUMENTS

JP 1290754 S 1/2007

* cited by examiner

Primary Examiner—Stacia Cadmus

(74) *Attorney, Agent, or Firm*—Sughrue Mion, PLLC

(57) **CLAIM**

The ornamental design for a tire tread, shown and described.

DESCRIPTION

FIG. 1 is a perspective view of a tire tread, it being understood that the tread pattern repeats uniformly throughout the circumference of the tire.

FIG. 2 is a front elevation view thereof.

FIG. 3 is a left side elevation view thereof.

FIG. 4 is a right side elevation view thereof; and,

FIG. 5 is an enlarged fragmentary front view thereof.

The broken lines shown in the drawings are for the purpose of showing environmental structure only and form no part of the claimed design.

1 Claim, 5 Drawing Sheets

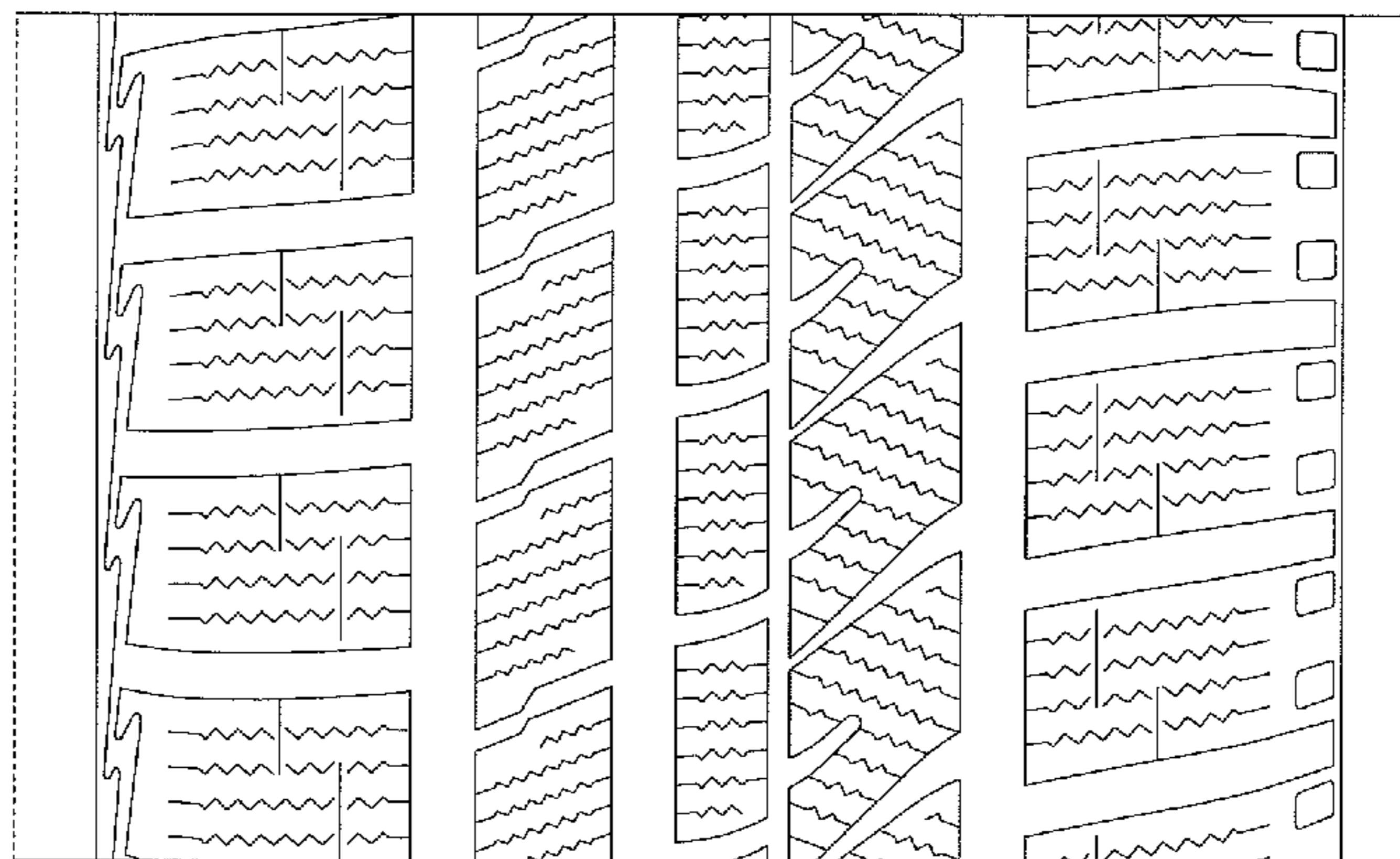
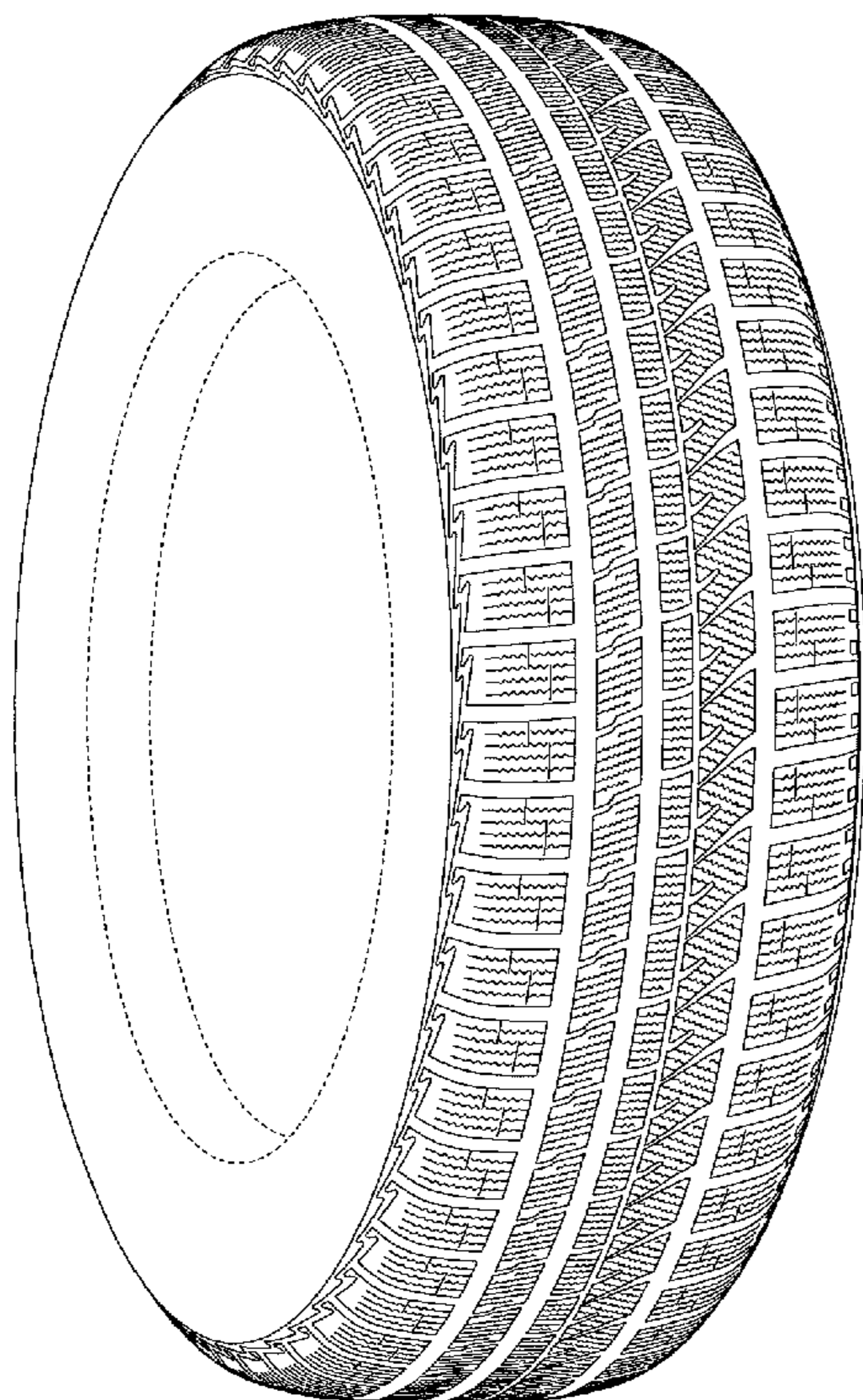


FIG. 1

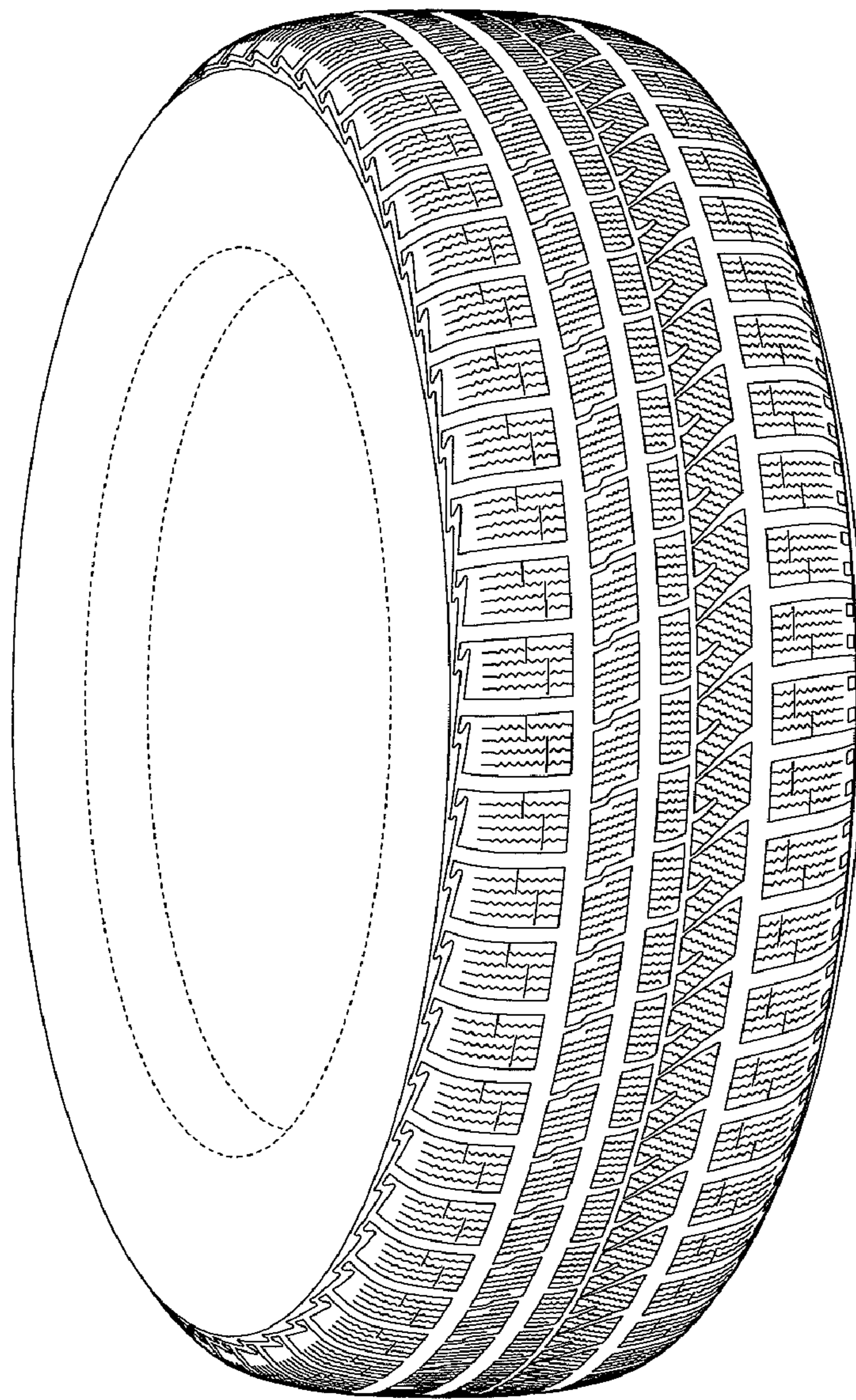


FIG. 2

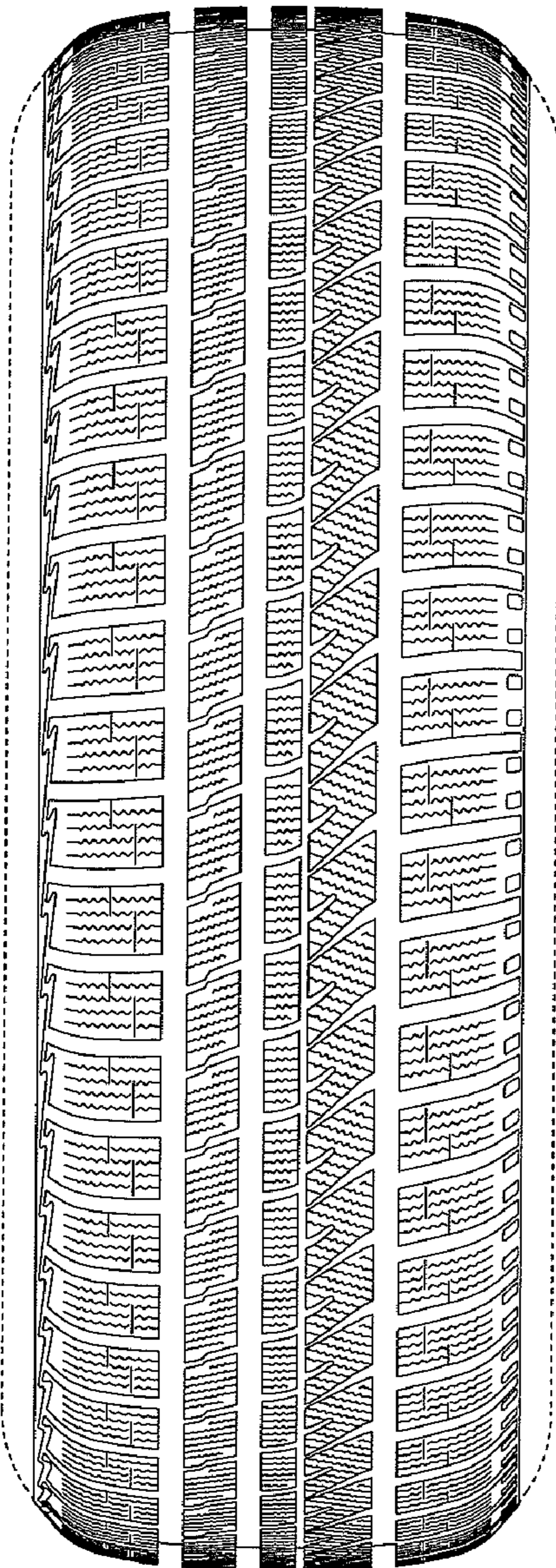


FIG. 3

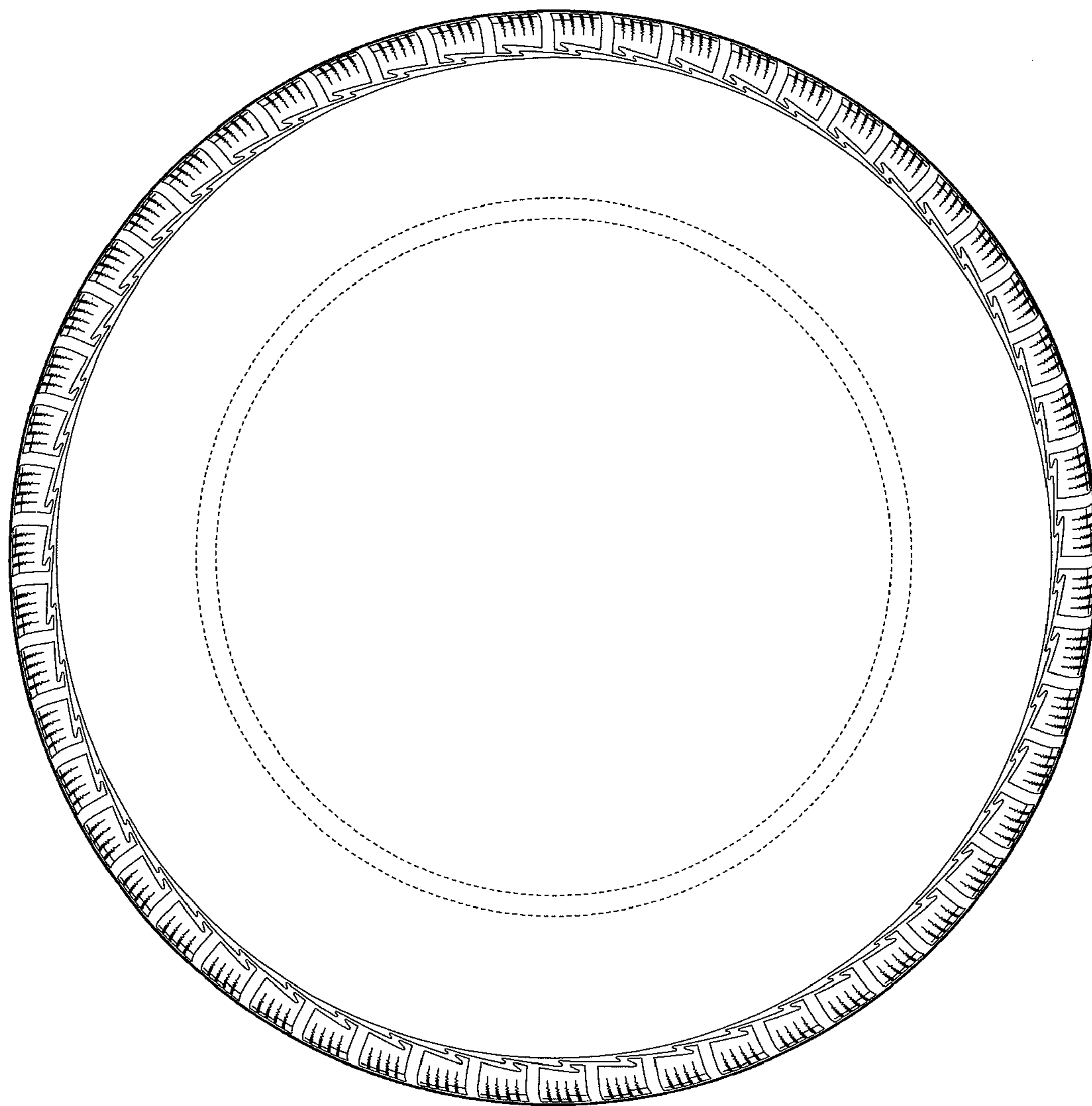


FIG. 4

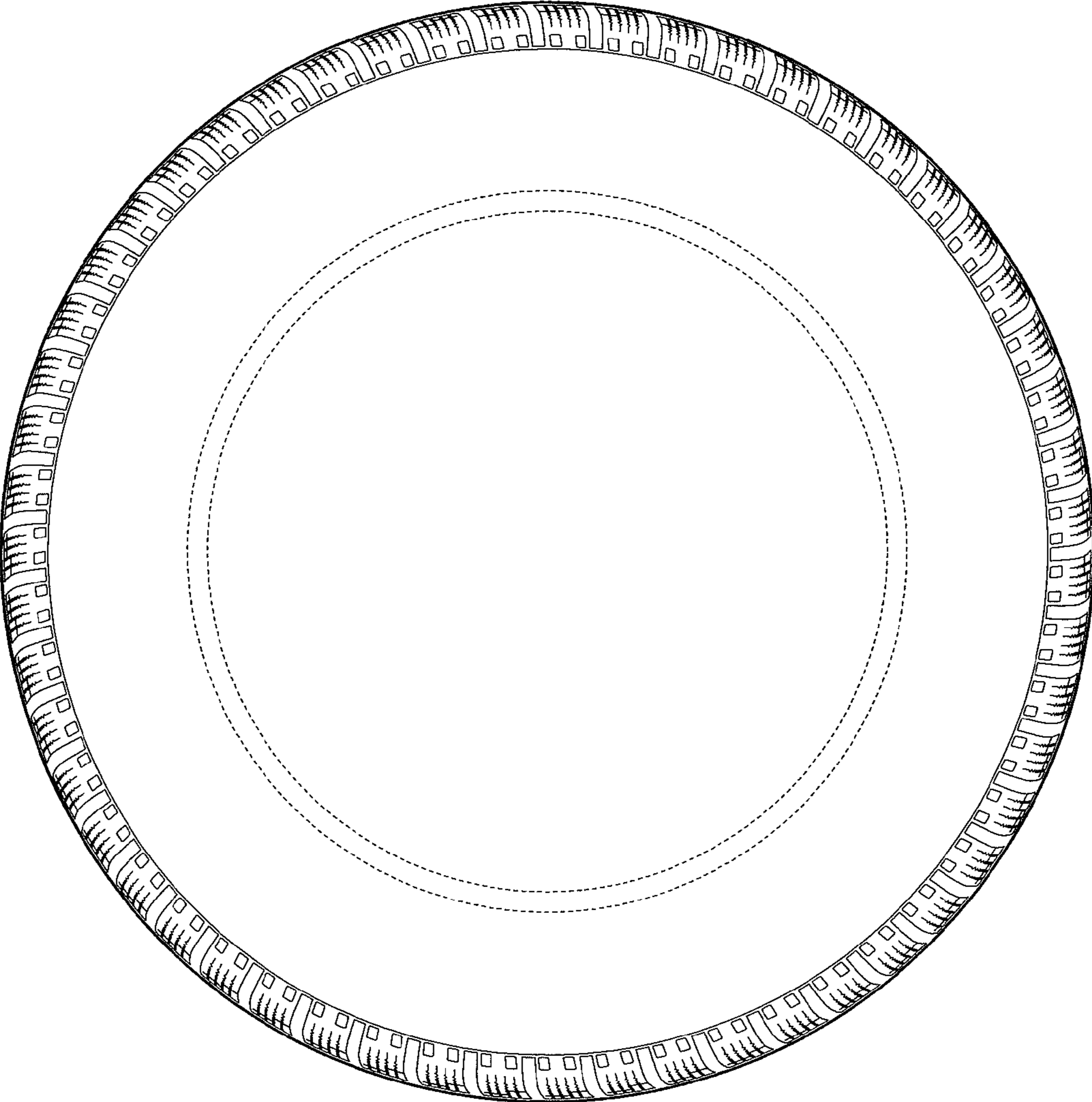


FIG. 5

