



US00D600627S

(12) **United States Design Patent**
Toll et al.

(10) **Patent No.:** **US D600,627 S**
(45) **Date of Patent:** **** Sep. 22, 2009**

(54) **WATER BOTTLE SUPPORT ARM**
(75) Inventors: **Steven G. Toll**, Tampa, FL (US); **John Cobb**, Tyler, TX (US)
(73) Assignee: **Tampa Bay Recreation, LLC.**, Tampa, FL (US)

5,301,858 A 4/1994 Hollander
5,624,064 A * 4/1997 McGee, Jr. 224/414
5,628,440 A 5/1997 Gallazzini
5,810,228 A 9/1998 Brokering
5,839,632 A 11/1998 Koday

(Continued)

(**) Term: **14 Years**
(21) Appl. No.: **29/324,863**
(22) Filed: **Sep. 22, 2008**

FOREIGN PATENT DOCUMENTS

CA 2 511 348 A1 1/2007

(Continued)

(51) **LOC (9) Cl.** **12-11**
(52) **U.S. Cl.** **D12/411**
(58) **Field of Classification Search** D12/411,
D12/114, 223, 111, 419, 420, 162, 407; D8/349,
D8/354; 280/288.4, 477, 495; D7/620; 248/310,
248/311.2, 312, 313, 314, 312.1, 316.1, 248,
248/200, 205.1, 187, 300; 224/42.11, 412-414,
224/419-427, 430, 431, 433, 440, 441, 443,
224/447, 450, 451, 454, 459, 461, 462, 275,
224/528-533

Primary Examiner—Cathron C Brooks
Assistant Examiner—Linda Brooks
(74) *Attorney, Agent, or Firm*—Akerman Senterfitt; Peter A. Chiabotti

See application file for complete search history.

(57) **CLAIM**

The ornamental design for a water bottle support arm, as shown and described.

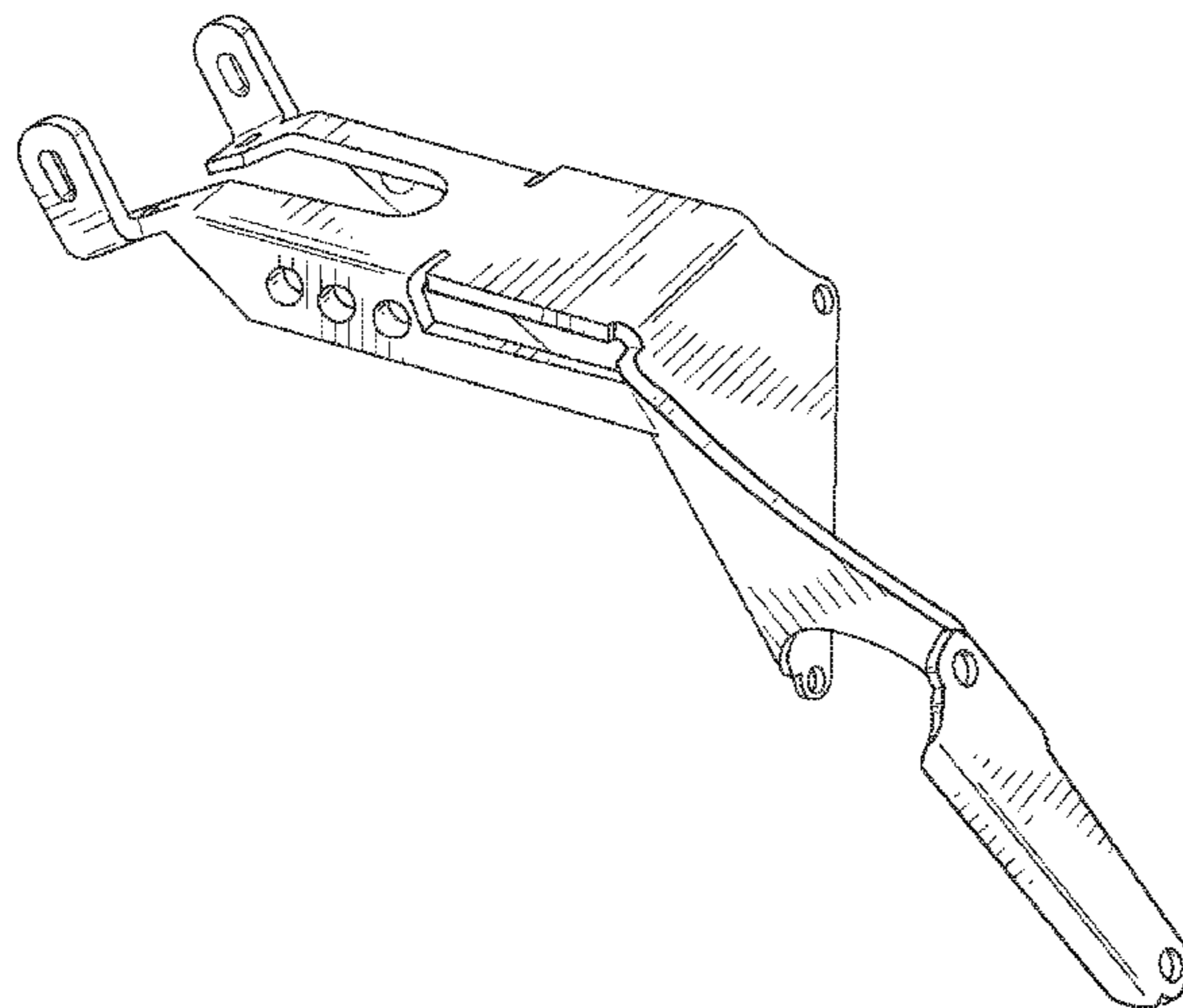
(56) **References Cited**
U.S. PATENT DOCUMENTS

DESCRIPTION

4,009,810 A 3/1977 Shook
4,095,812 A 6/1978 Rowe
4,366,922 A 1/1983 Levine et al.
4,386,721 A 6/1983 Shimano
4,437,596 A 3/1984 Shook
4,441,638 A 4/1984 Shimano
D285,186 S 8/1986 Sinyard
4,830,239 A 5/1989 Tackles et al.
4,830,240 A 5/1989 Tackles et al.
4,957,227 A 9/1990 Trimble
4,998,652 A 3/1991 Champagne
5,040,709 A 8/1991 Neugent
5,060,832 A 10/1991 Link
5,145,138 A 9/1992 Schlanger et al.
D332,240 S 1/1993 Schlanger et al.

FIG. 1 is a perspective view of our ornamental design;
FIG. 2 is a right side elevation view of the ornamental design of FIG. 1;
FIG. 3 is a left side elevation view of the ornamental design of FIG. 1;
FIG. 4 is top plan view of the ornamental design of FIG. 1;
FIG. 5 is bottom plan view of the ornamental design of FIG. 1;
FIG. 6 is front elevation view of the ornamental design of FIG. 1;
FIG. 7 is rear elevation view of the ornamental design of FIG. 1; and,
FIG. 8 is a perspective view of the ornamental design of FIG. 1 with broken lines showing environment, which is shown for illustrative purposes only and forms no part of the claimed design.

1 Claim, 7 Drawing Sheets



US D600,627 S

Page 2

U.S. PATENT DOCUMENTS			2008/0122271 A1* 5/2008 Bigolin 297/195.1
6,059,245 A	5/2000	Hermansen et al.	
6,182,464 B1	2/2001	Mamich	
6,357,708 B1	3/2002	Carson	
6,401,997 B1 *	6/2002	Smerdon, Jr. 224/414	
6,457,691 B1	10/2002	Kao	
6,543,660 B2	4/2003	Young et al.	
6,615,686 B1	9/2003	Kao	
6,837,407 B1	1/2005	Towers et al.	
6,932,255 B2 *	8/2005	Van Houtte 224/414	
D575,070 S	8/2008	Toll	
2007/0000961 A1 *	1/2007	Chung 224/425	

FOREIGN PATENT DOCUMENTS			
EP	0 523 379 A1	1/1993	
EP	0 824 442 B1	2/1998	
GB	2 356 846 A	6/2001	
JP	2006312435 A	11/2006	
TW	287518 B	10/2007	
WO	WO 96/33903 A1	10/1996	
WO	WO 98/41439 A1	9/1998	
WO	WO 02/096746 A1	12/2002	

* cited by examiner

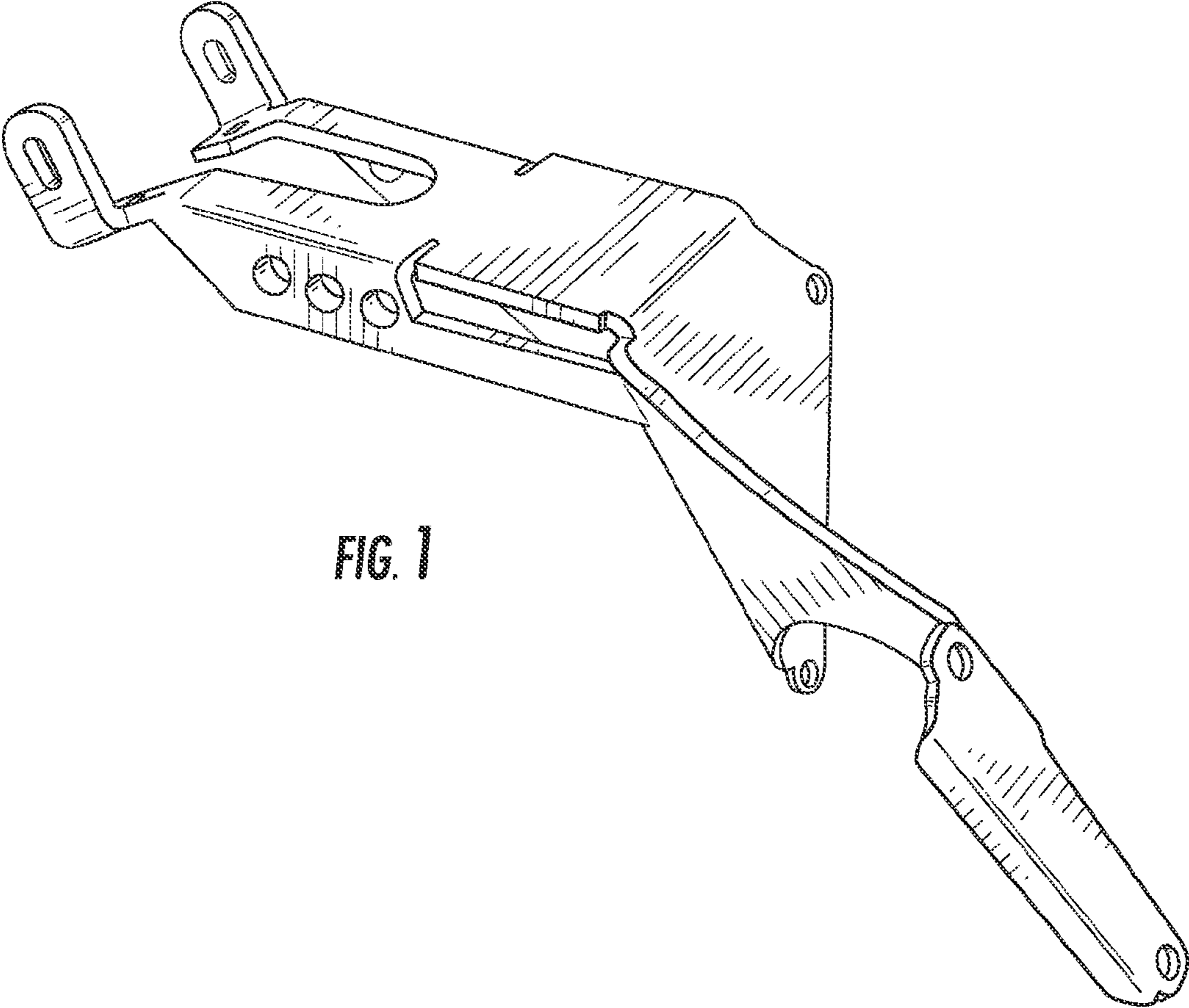


FIG. 1

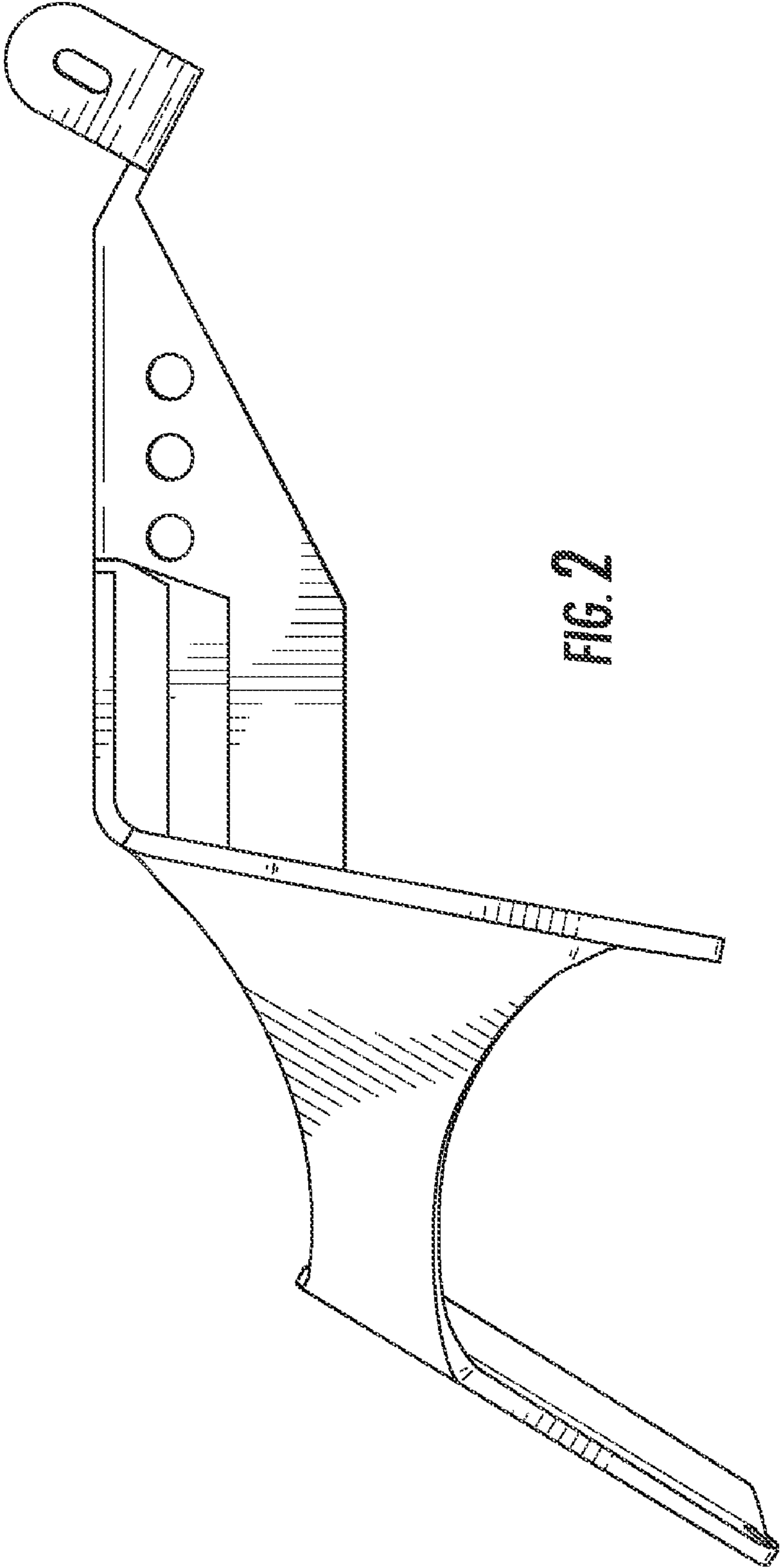


FIG. 2

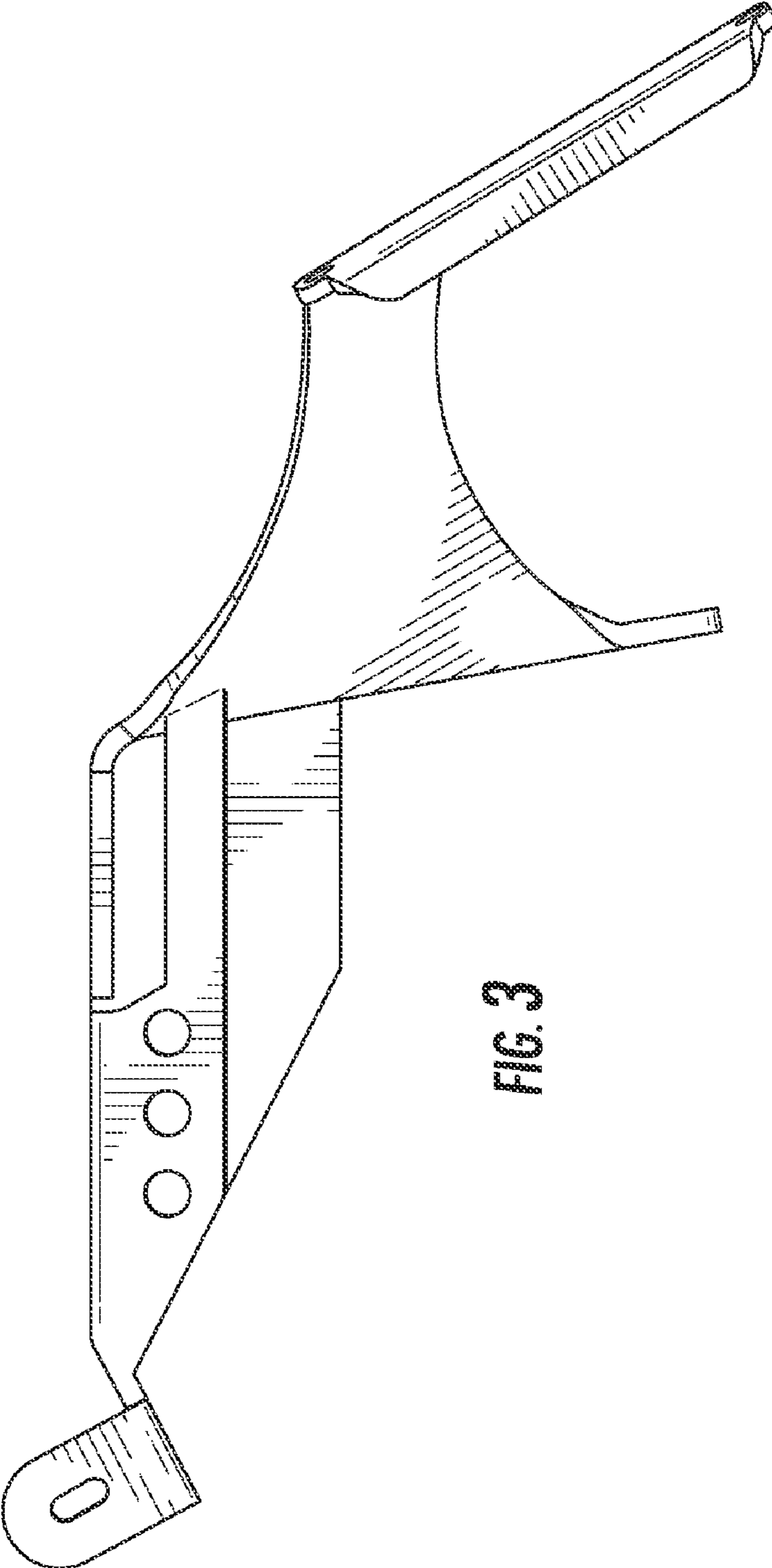


FIG. 3

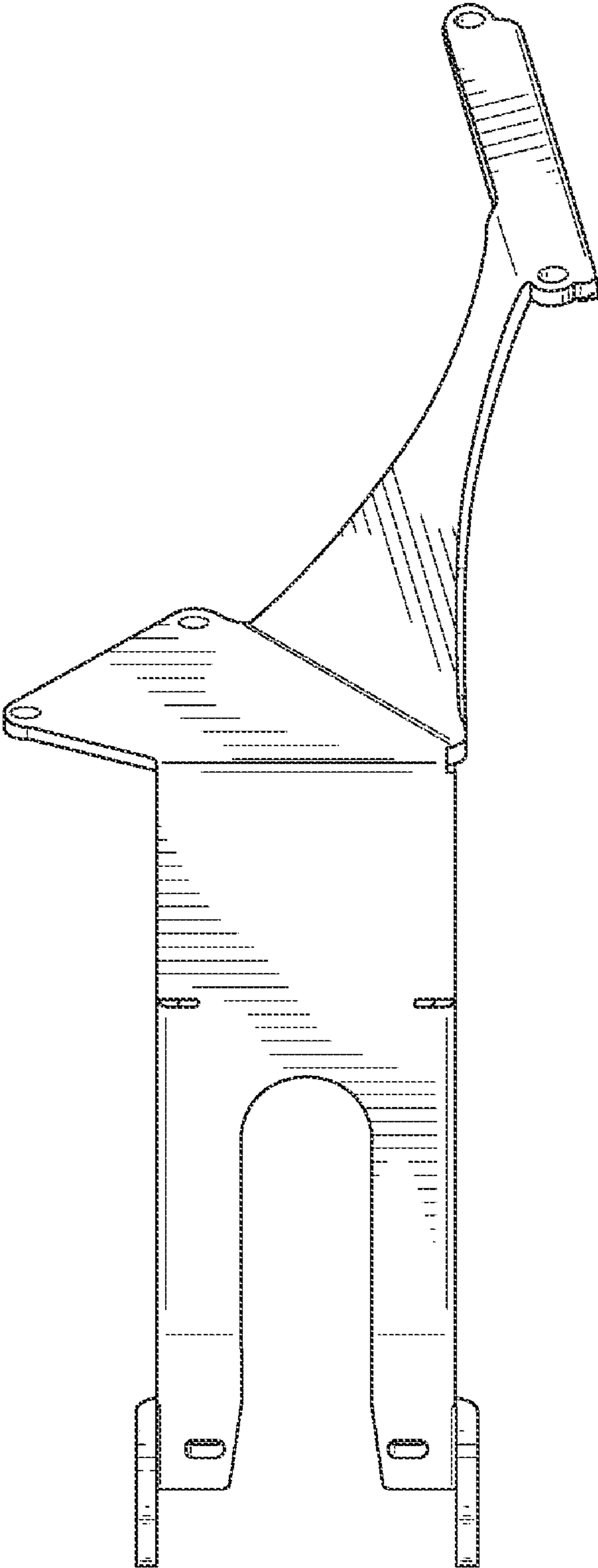


FIG. 4

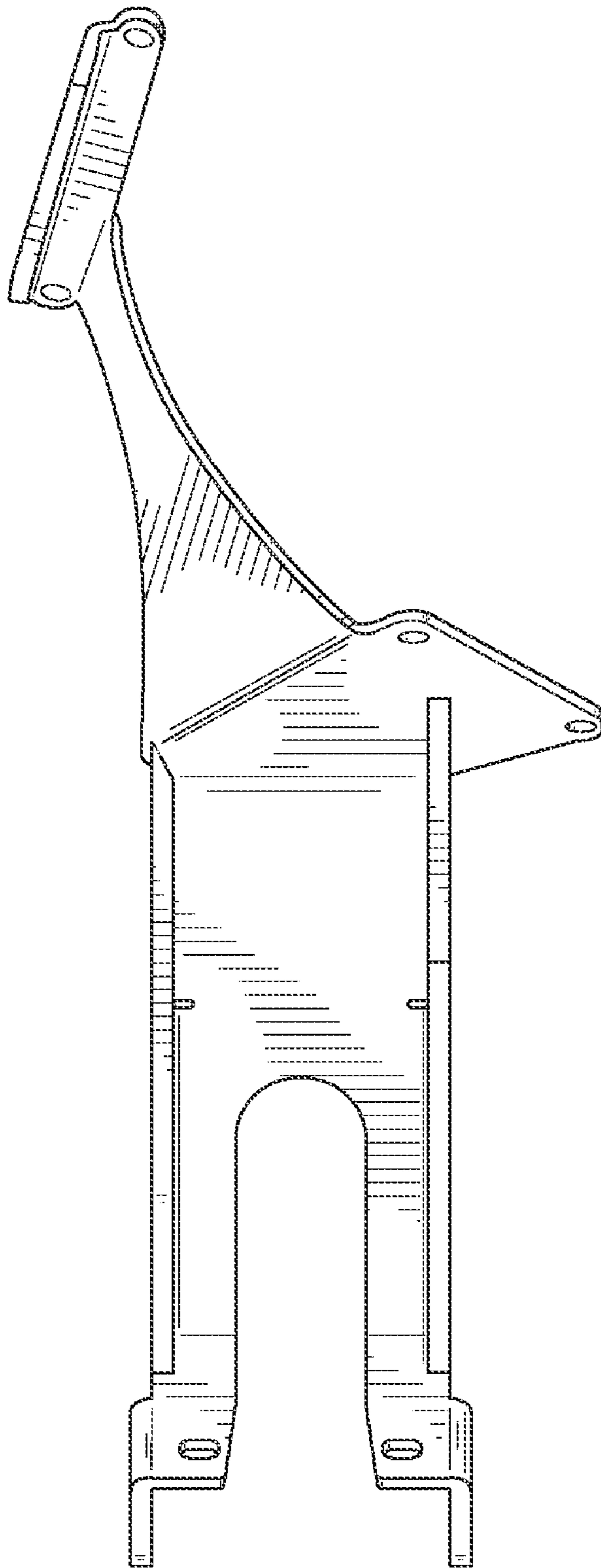


FIG. 5

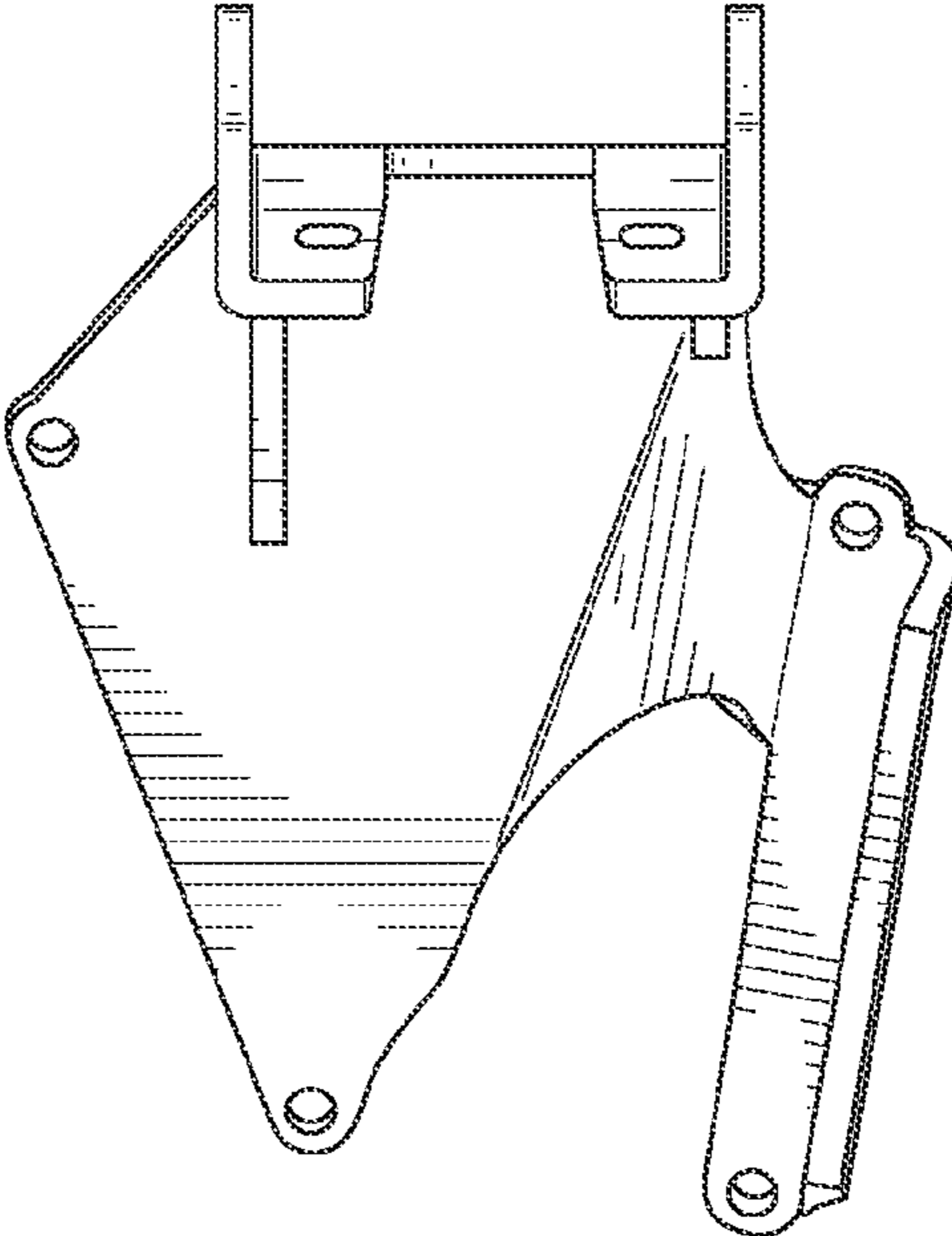


FIG. 6

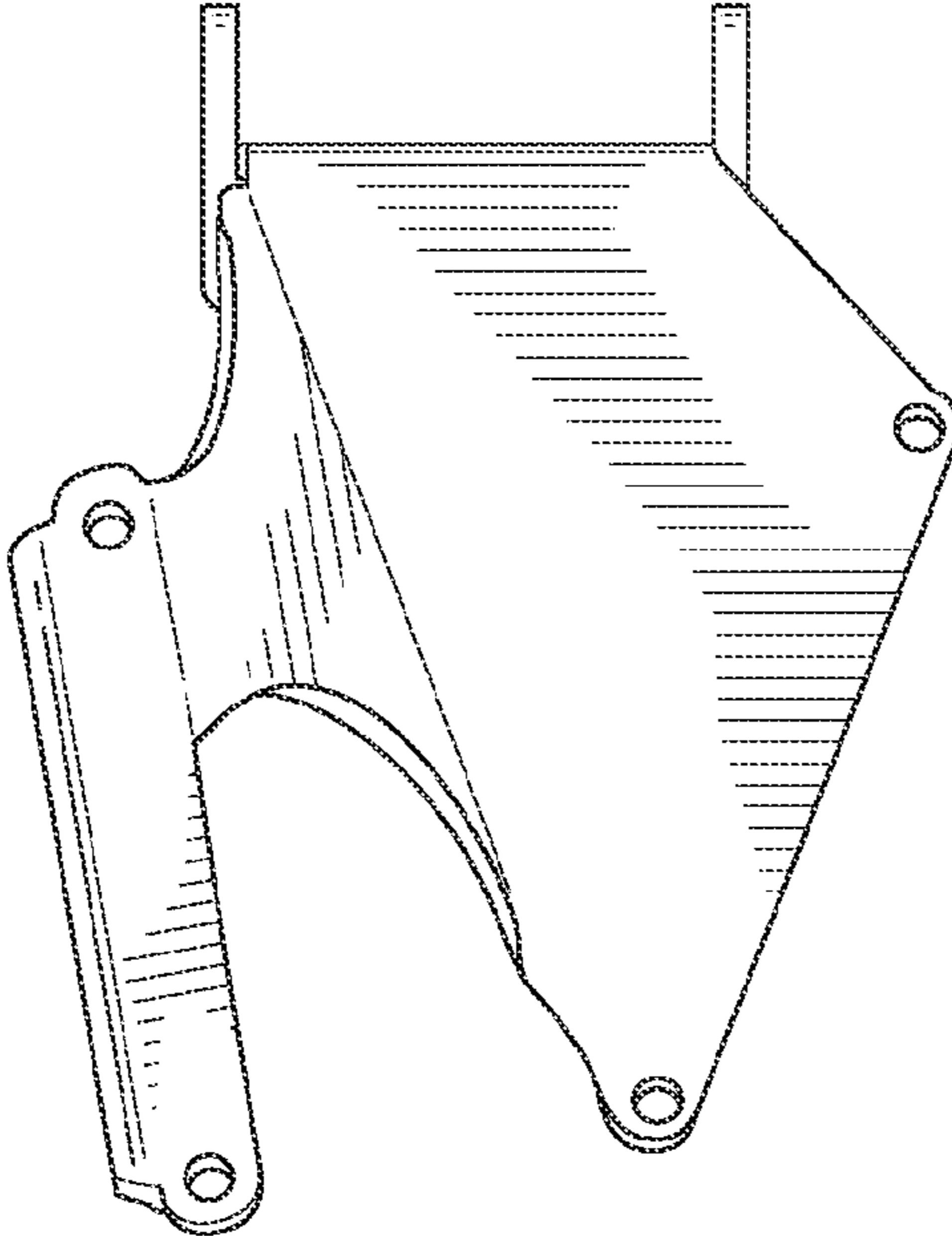


FIG. 7

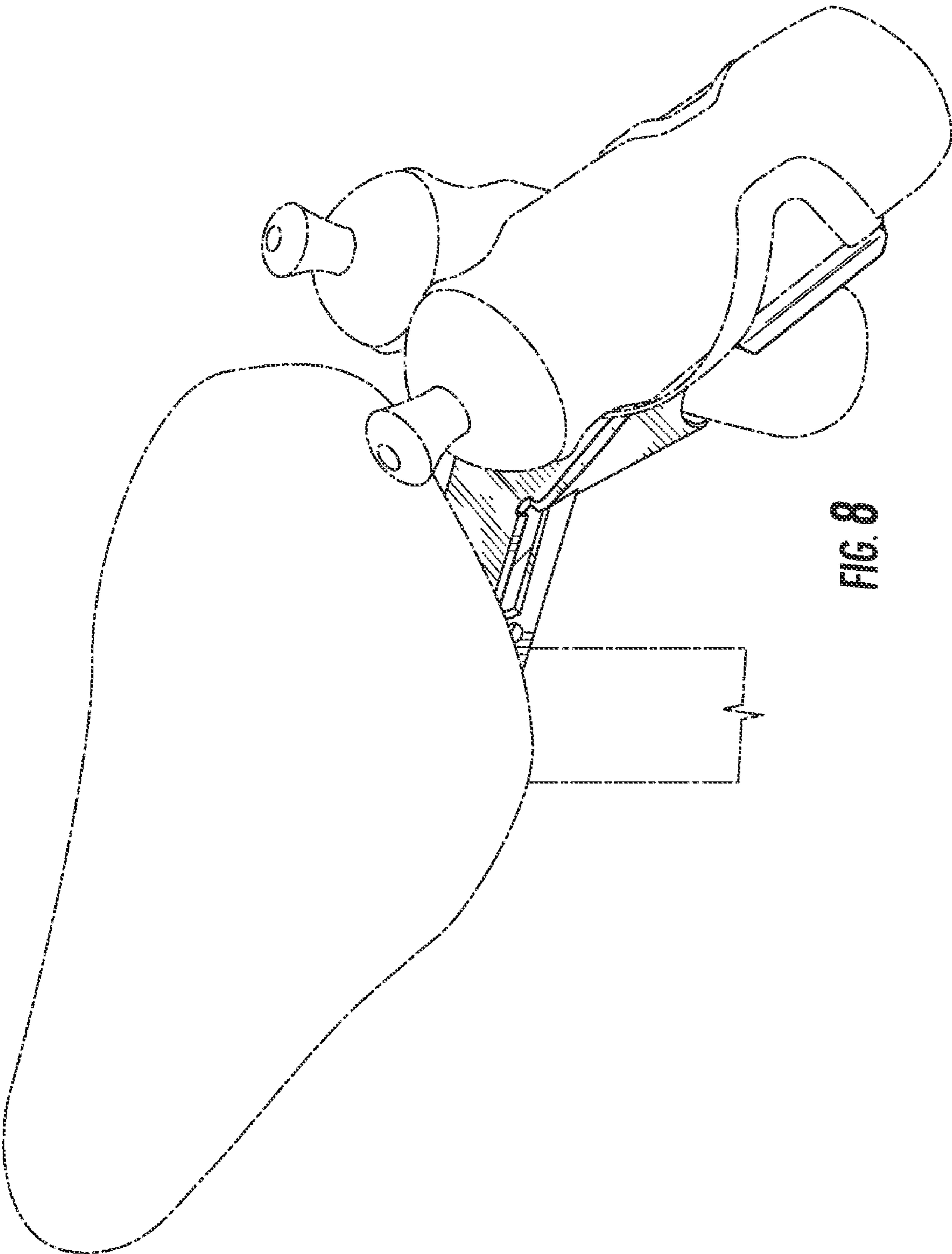


FIG. 8