



US00D600626S

(12) **United States Design Patent**
Miller

(10) **Patent No.:** **US D600,626 S**

(45) **Date of Patent:** **** Sep. 22, 2009**

(54) **AUTOMOTIVE MOBILITY ASSISTANCE
DEVICE**

D588,967 S * 3/2009 Tsay et al. D12/179
D593,465 S * 6/2009 Delage D12/179

(75) Inventor: **F. Troy Miller**, Logan, UT (US)

* cited by examiner

(73) Assignee: **Stander Inc.**, Logan, UT (US)

Primary Examiner—Caron Veynar

Assistant Examiner—Katrina A Kile

(**) Term: **14 Years**

(74) *Attorney, Agent, or Firm*—Stoel Rives LLP

(21) Appl. No.: **29/323,747**

(57) **CLAIM**

(22) Filed: **Aug. 29, 2008**

The ornamental design for an automotive mobility assistance device, as shown and described.

(51) **LOC (9) Cl.** **12-16**

(52) **U.S. Cl.** **D12/400**

(58) **Field of Classification Search** D12/400,
D12/415, 421, 178, 179, 190, 196, 223, 93,
D12/100; 224/923; D6/552; 211/100; D8/14,
D8/300, 303, 89, 307, 313, 314–320; 296/146.1;
16/110.1, 436; 294/15, 19.1

See application file for complete search history.

DESCRIPTION

FIG. 1 is a perspective view of an automotive mobility assistance device.

FIG. 2 is a first side view of the automotive mobility assistance device of FIG. 1.

FIG. 3 is a second side view of the automotive mobility assistance device of FIG. 1.

FIG. 4 is a back view of the automotive mobility assistance device of FIG. 1.

FIG. 5 is a front view of the automotive mobility assistance device of FIG. 1.

FIG. 6 is a top view of the automotive mobility assistance device of FIG. 1; and,

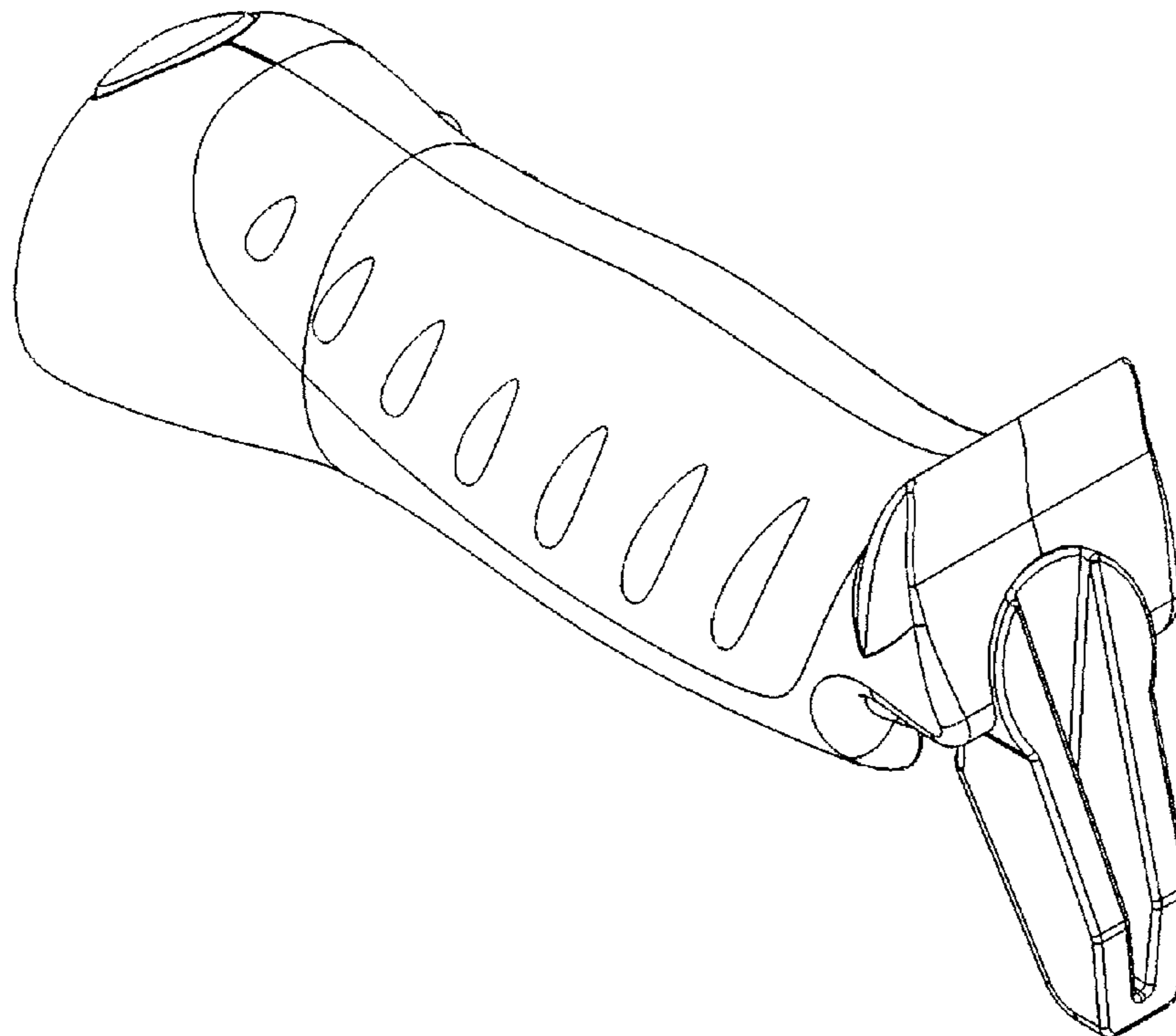
FIG. 7 is a bottom view of the automotive assistance device of FIG. 1.

(56) **References Cited**

U.S. PATENT DOCUMENTS

4,626,016	A	*	12/1986	Bergsten	296/1.02
D297,906	S	*	10/1988	Abelsson et al.	D8/8
6,340,189	B1		1/2002	Pordy		
6,574,833	B1		6/2003	Tomaiuolo		
6,584,643	B1		7/2003	Tomaiuolo		
6,799,353	B1		10/2004	Stewart		
D516,009	S	*	2/2006	Kontorovich et al.	D12/400
D553,923	S	*	10/2007	Ross	D8/14
D571,628	S	*	6/2008	Neiser	D8/40

1 Claim, 7 Drawing Sheets



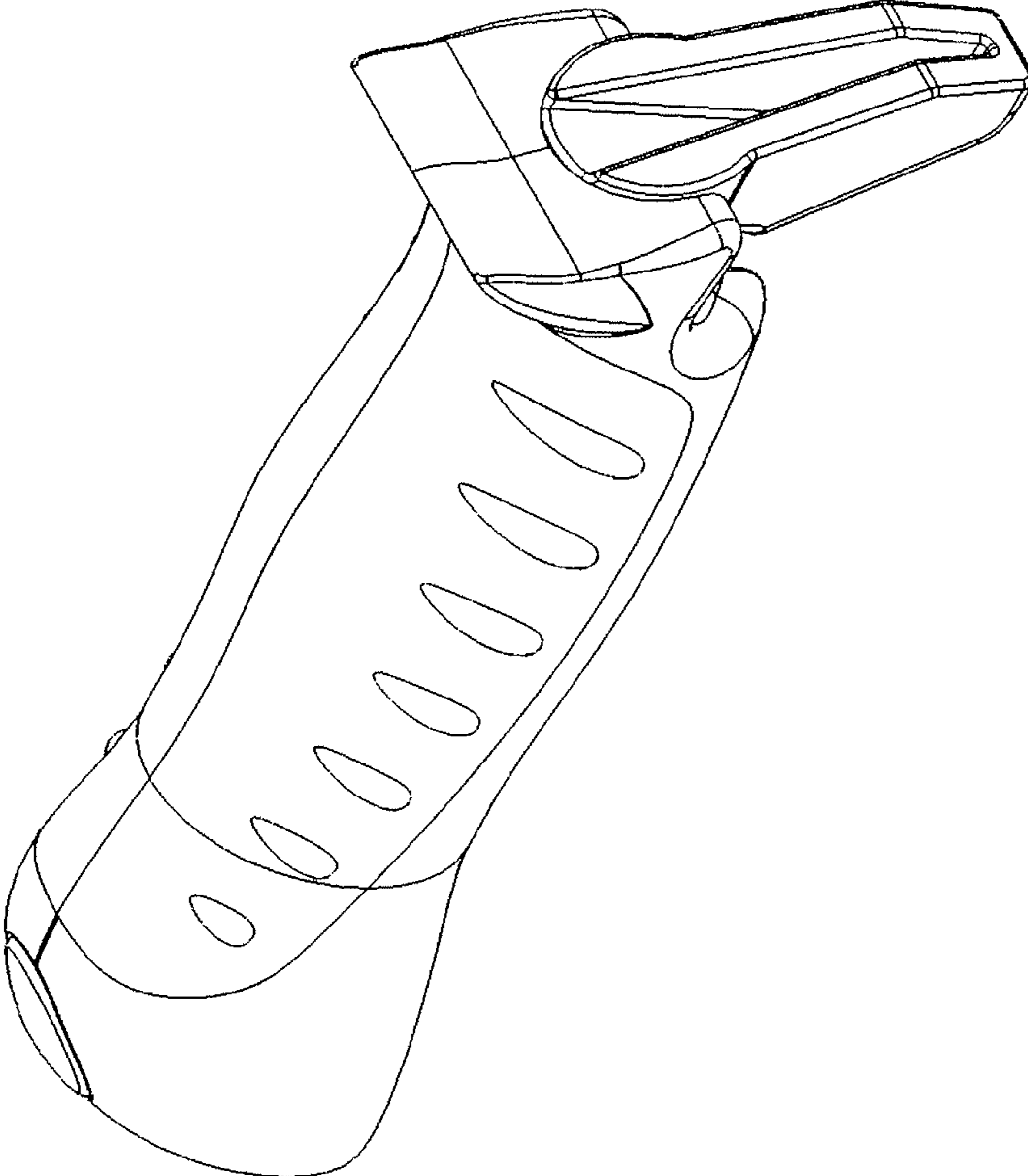


Figure 1

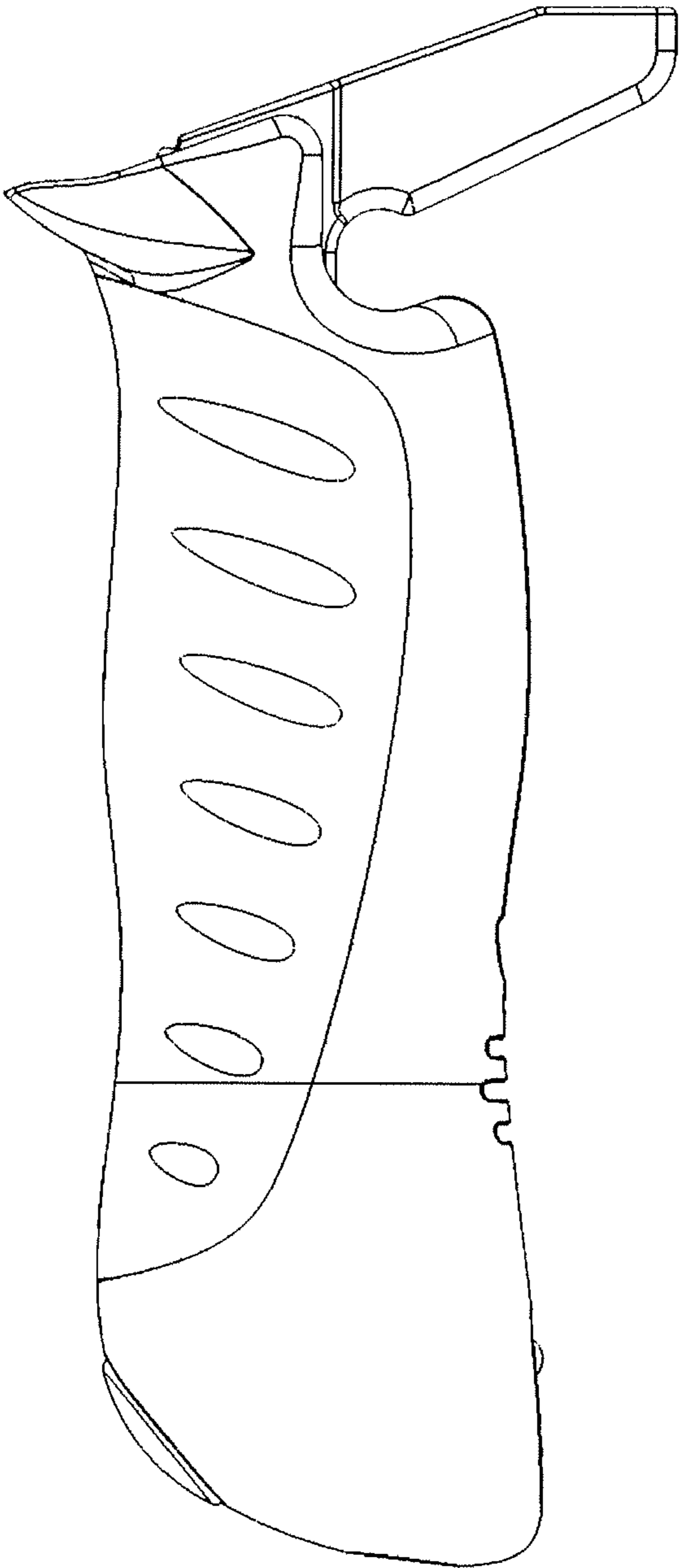


Figure 2

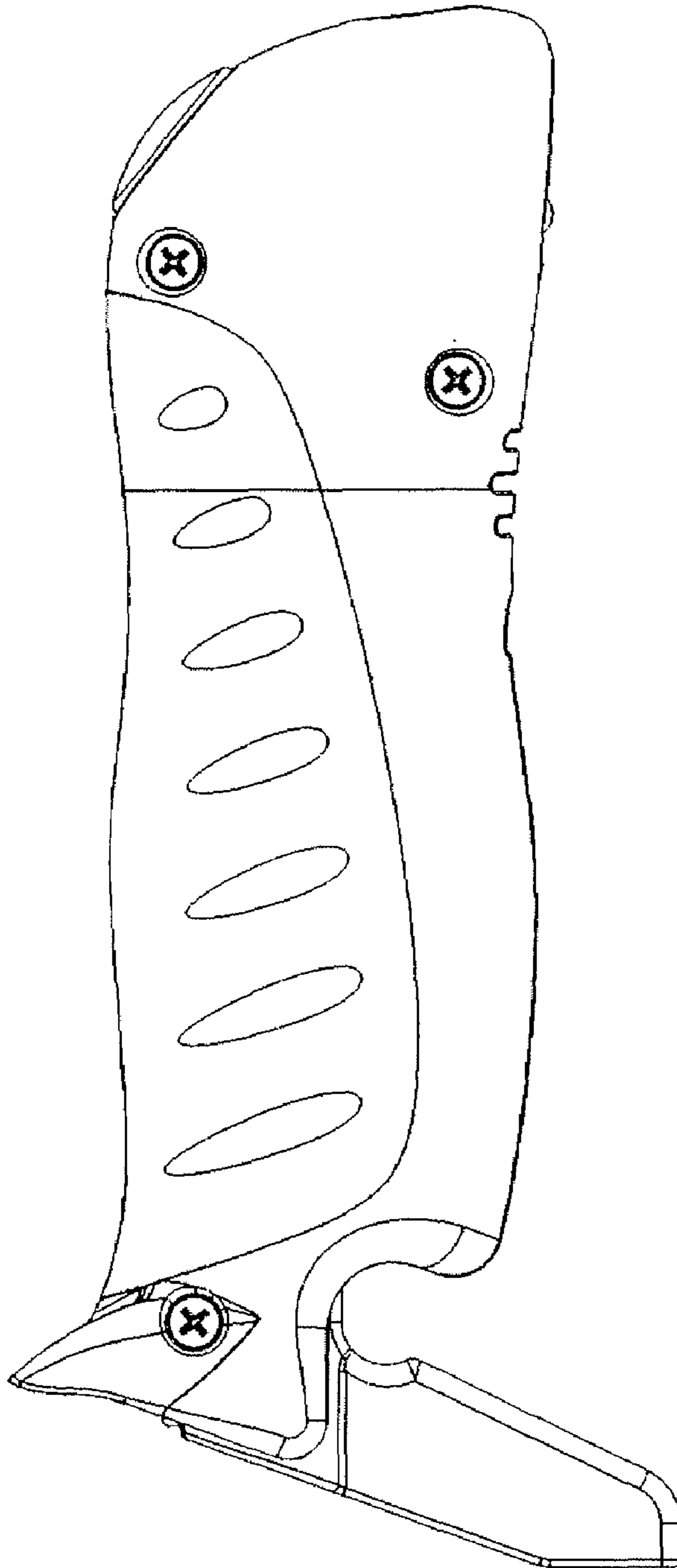


Figure 3

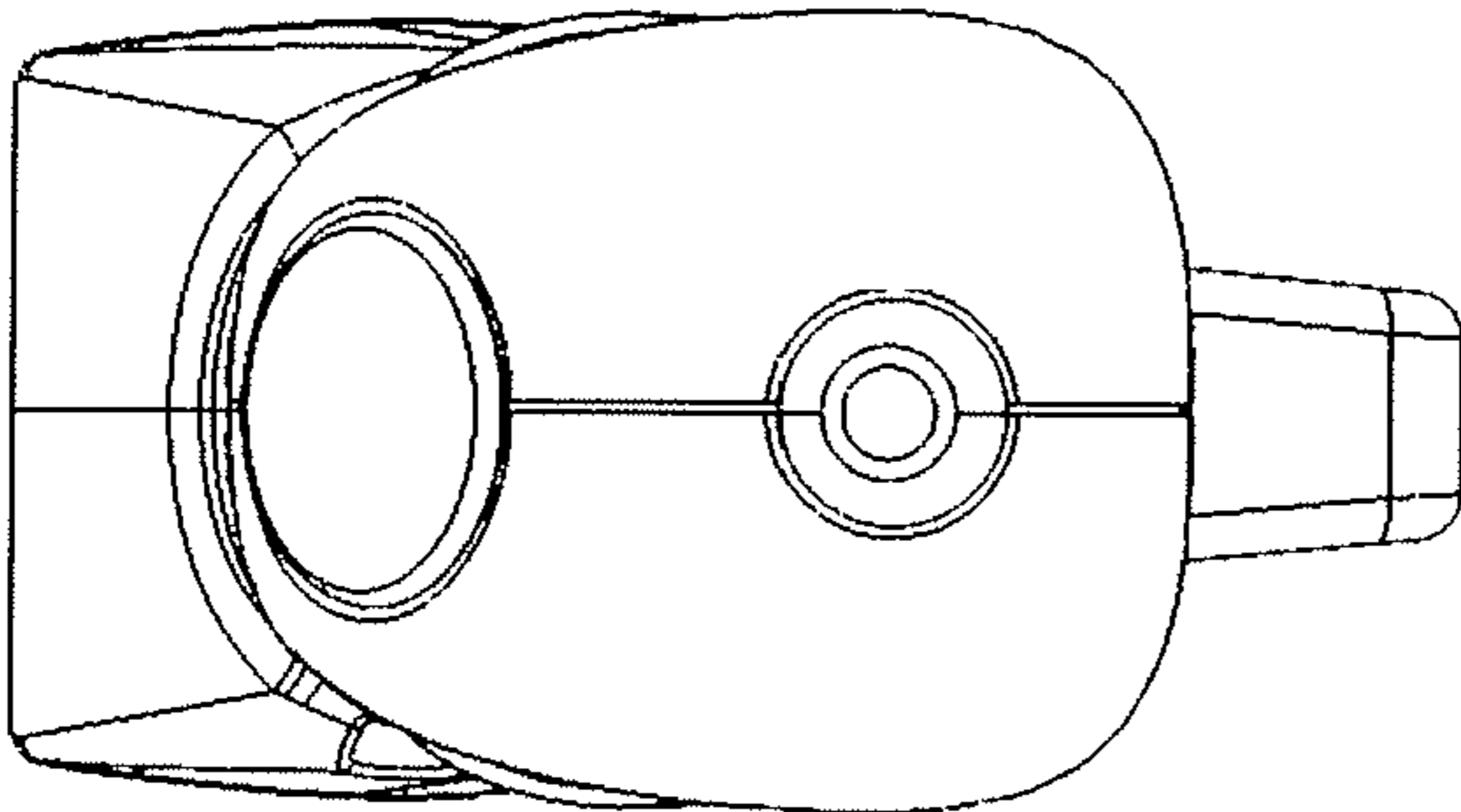


Figure 4

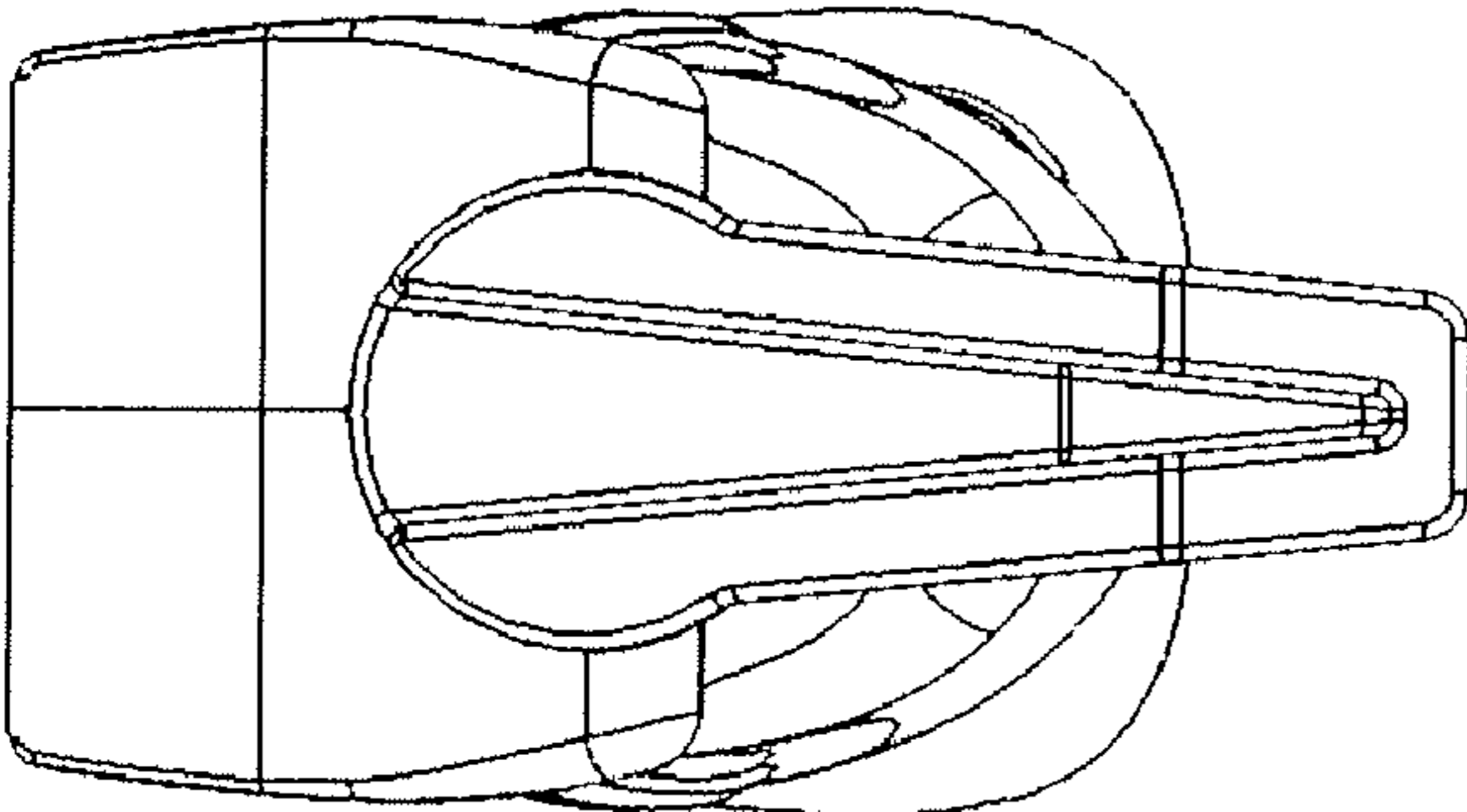


Figure 5

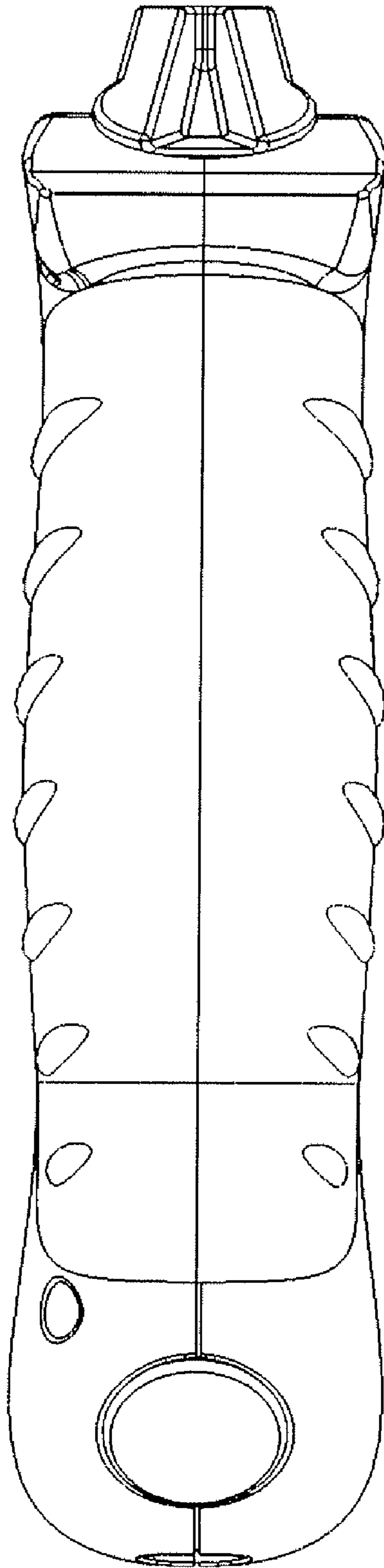


Figure 6

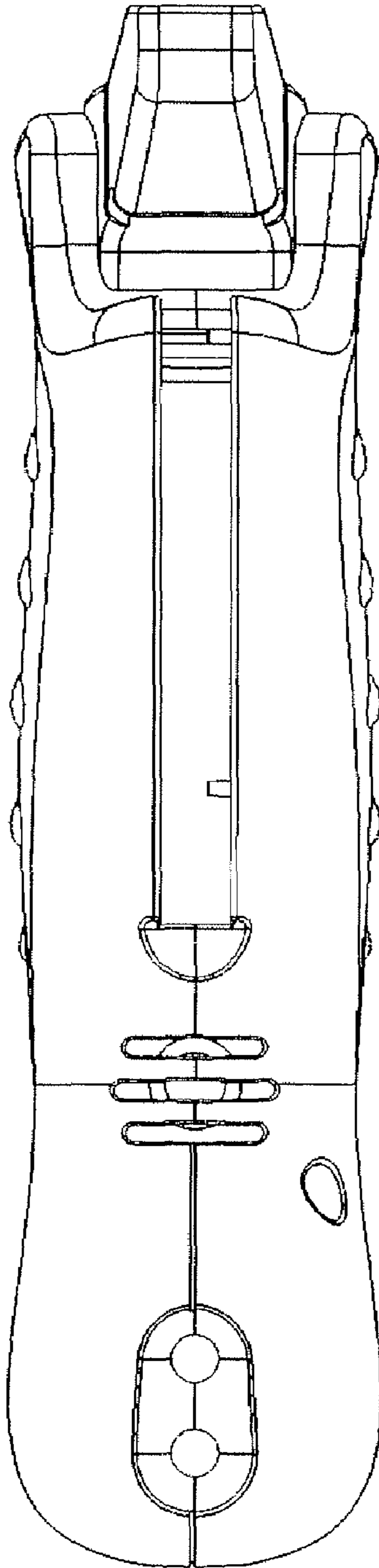


Figure 7