

US00D600620S

(12) **United States Design Patent**  
**Schuephaus et al.**

(10) **Patent No.:** **US D600,620 S**

(45) **Date of Patent:** **\*\* Sep. 22, 2009**

(54) **DOOR LINING PANEL FOR AN AIRCRAFT CABIN**

(75) Inventors: **Florian Schuephaus**, Hamburg (DE);  
**Silvan Fiedler**, Ulm (DE)

(73) Assignee: **Airbus Deutschland GmbH**, Hamburg (DE)

(\*\*) Term: **14 Years**

(21) Appl. No.: **29/329,716**

(22) Filed: **Dec. 19, 2008**

**Related U.S. Application Data**

(62) Division of application No. 29/295,858, filed on Oct. 9, 2007, now Pat. No. Des. 592,584.

**Foreign Application Priority Data**

Apr. 18, 2007 (EM) ..... 000709167

(51) **LOC (9) Cl.** ..... **12-07**

(52) **U.S. Cl.** ..... **D12/345**

(58) **Field of Classification Search** ..... D12/317-319, D12/322-324, 326, 343, 345, 400, 195, 183; 114/78, 189; D25/52; 244/117 R, 119, 126, 244/129.1, 129.3, 129.4, 129.5; 296/200-201  
See application file for complete search history.

(56) **References Cited**

**U.S. PATENT DOCUMENTS**

3,085,297 A \* 4/1963 Linderfelt ..... 49/248

3,429,530 A *	2/1969	Hertel	.....	244/129.3
4,739,955 A *	4/1988	Aquino et al.	.....	244/129.4
D331,215 S *	11/1992	Moreno et al.	.....	D12/183
5,931,415 A *	8/1999	Lingard et al.	.....	244/129.5
6,129,312 A *	10/2000	Weber	.....	244/118.5
6,189,833 B1 *	2/2001	Ambrose et al.	.....	244/129.5
D463,357 S *	9/2002	Granzeier et al.	.....	D12/345
6,547,184 B2 *	4/2003	Nieberle	.....	244/119
6,786,453 B2 *	9/2004	Jones	.....	244/129.3
D588,977 S *	3/2009	Bock	.....	D12/345

\* cited by examiner

*Primary Examiner*—Ian Simmons

*Assistant Examiner*—Dana L Sipos

(74) *Attorney, Agent, or Firm*—Wood, Herron & Evans, LLP

(57) **CLAIM**

The ornamental design for a door lining panel for an aircraft cabin, as shown and described.

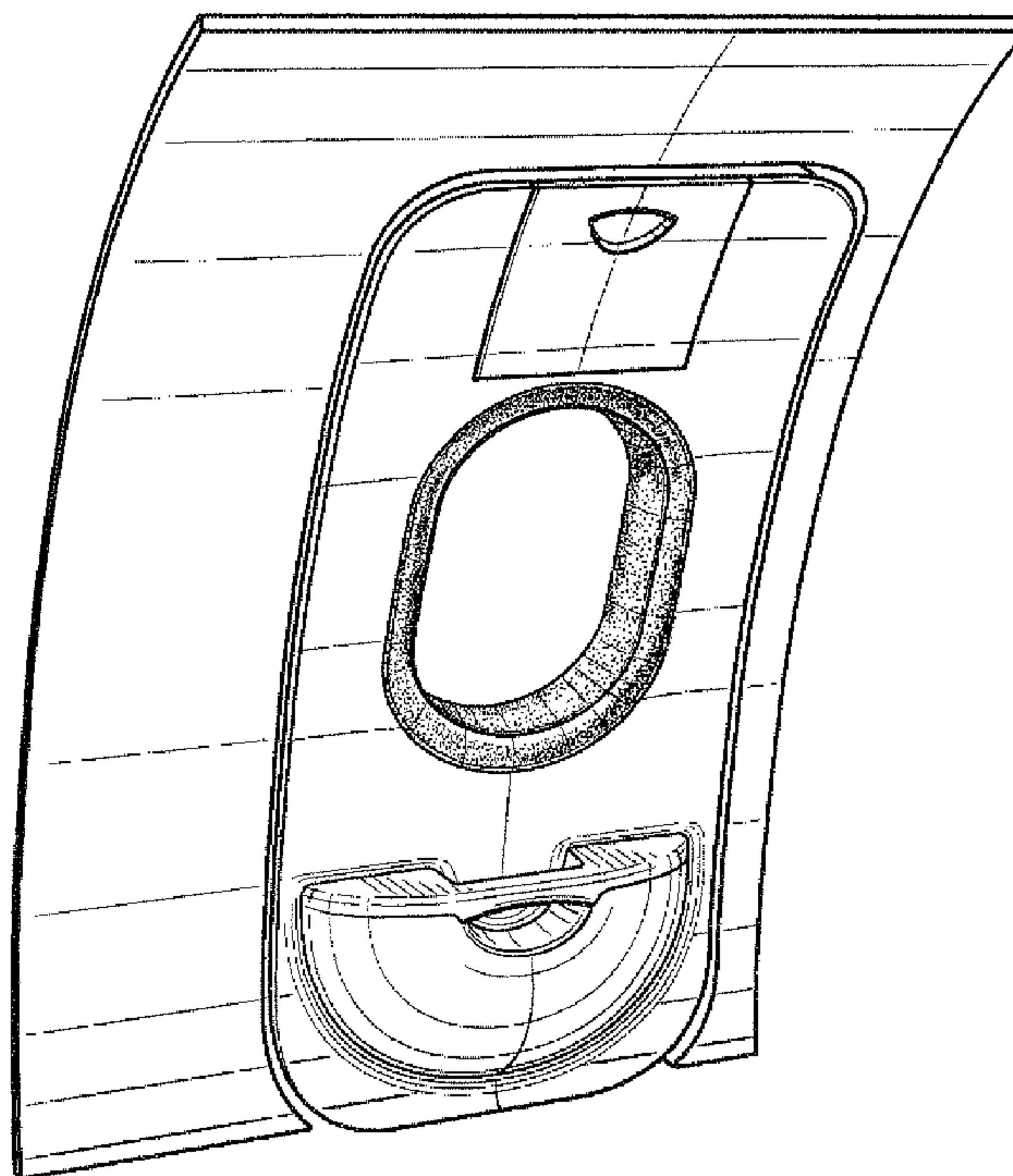
**DESCRIPTION**

FIG. 1 is a front view of our ornamental design for a door lining panel for an aircraft cabin; and,

FIG. 2 is a perspective view of the door lining panel for an aircraft cabin shown in FIG. 1.

In each of these Figures, the unshown portion of the door lining panel for an aircraft cabin forms no part of the claimed design.

**1 Claim, 1 Drawing Sheet**



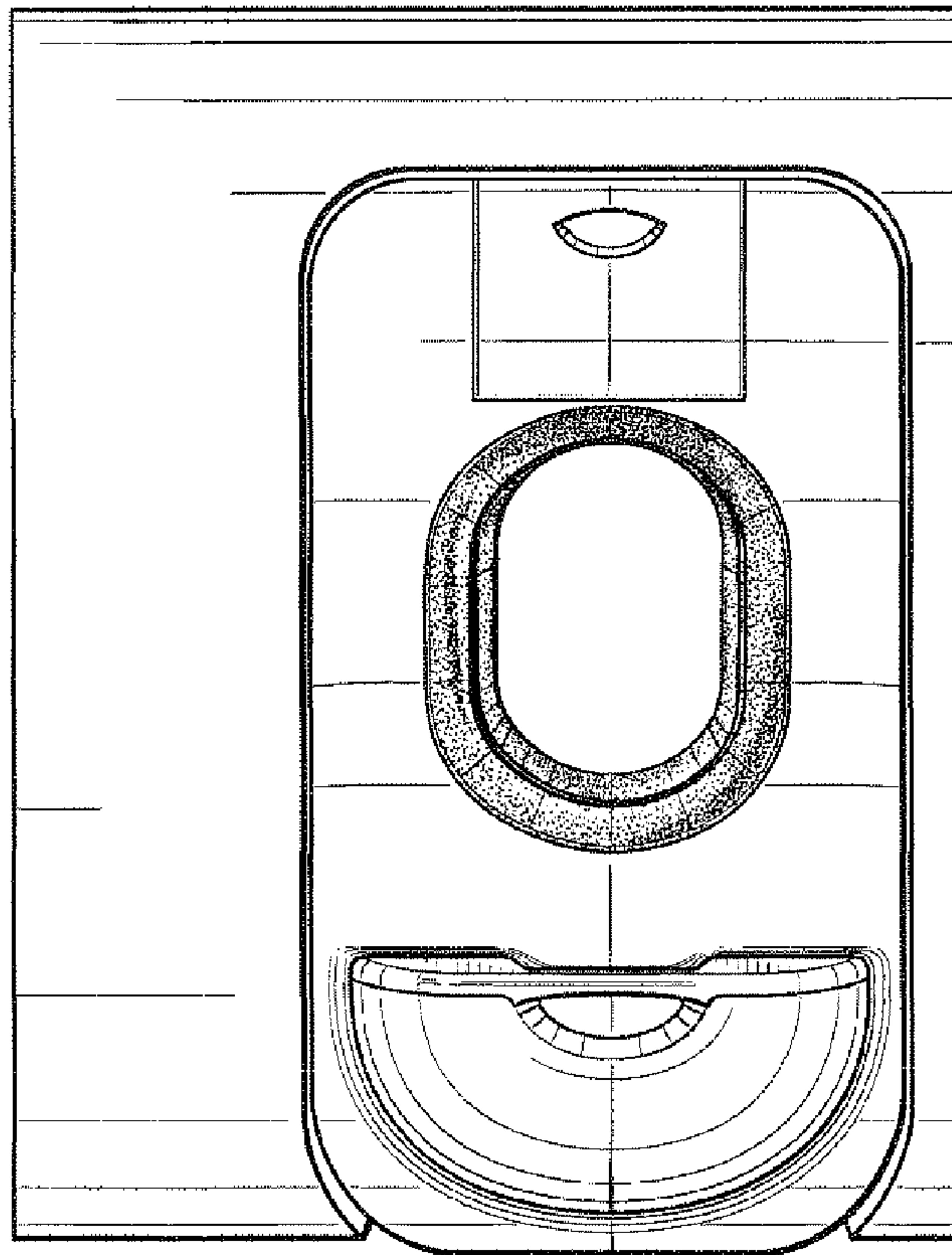


FIG. 1

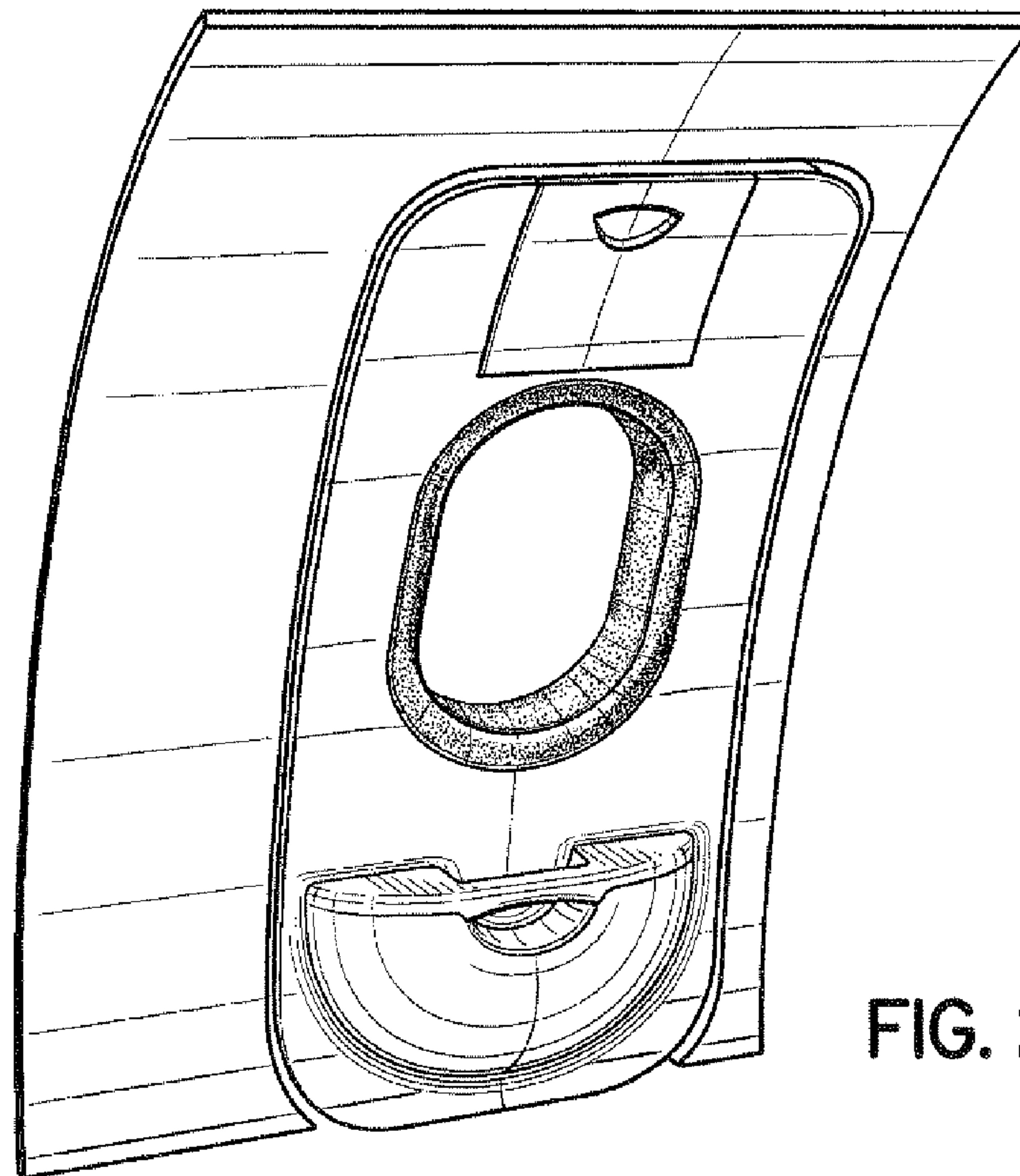


FIG. 2