



US00D600619S

(12) **United States Design Patent**  
**Schuephaus et al.**

(10) **Patent No.:** **US D600,619 S**

(45) **Date of Patent:** **\*\* Sep. 22, 2009**

(54) **SIDE LINING PANEL FOR AN AIRCRAFT CABIN**

(75) Inventors: **Florian Schuephaus**, Hamburg (DE);  
**Silvan Fiedler**, Ulm (DE)

(73) Assignee: **Airbus Deutschland GmbH**, Hamburg (DE)

(\*\*) Term: **14 Years**

(21) Appl. No.: **29/329,700**

(22) Filed: **Dec. 19, 2008**

**Related U.S. Application Data**

(62) Division of application No. 29/295,858, filed on Oct. 9, 2007, now Pat. No. Des. 592,584.

(30) **Foreign Application Priority Data**

Apr. 18, 2007 (EM) ..... 000709167

(51) **LOC (9) Cl.** ..... **12-07**

(52) **U.S. Cl.** ..... **D12/345**

(58) **Field of Classification Search** ..... D12/317-319, D12/322-324, 326, 343, 345, 400, 195, 183; 114/78, 189; D25/52; 244/117 R, 119, 126, 244/129.1, 129.3; 296/200-201

See application file for complete search history.

(56) **References Cited**

**U.S. PATENT DOCUMENTS**

3,429,530 A \* 2/1969 Hertel ..... 244/129.3

4,739,955 A \* 4/1988 Aquino et al. .... 244/129.4  
D331,215 S \* 11/1992 Moreno et al. .... D12/183  
6,129,312 A \* 10/2000 Weber ..... 244/118.5  
D463,357 S \* 9/2002 Granzeier et al. .... D12/345  
6,547,184 B2 \* 4/2003 Nieberle ..... 244/119  
6,786,453 B2 \* 9/2004 Jones ..... 244/129.3  
D588,977 S \* 3/2009 Bock ..... D12/345

\* cited by examiner

*Primary Examiner*—Ian Simmons

*Assistant Examiner*—Dana L Sipos

(74) *Attorney, Agent, or Firm*—Wood, Herron & Evans, L.L.P.

(57) **CLAIM**

The ornamental design for a side lining panel for an aircraft cabin, as shown and described.

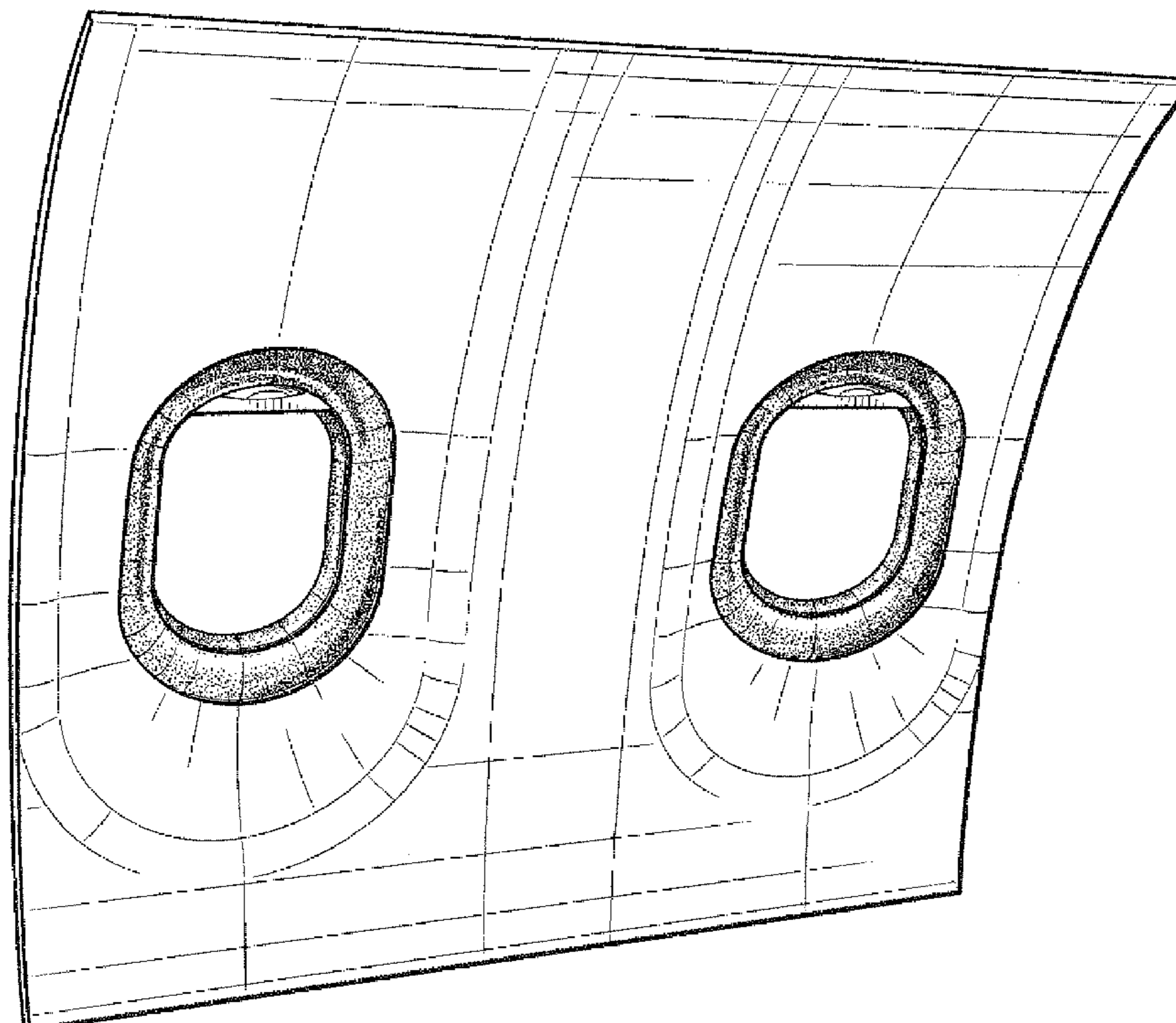
**DESCRIPTION**

FIG. 1 is a front view of our ornamental design for a side lining panel for an aircraft cabin; and,

FIG. 2 is a perspective view of the side lining panel for an aircraft cabin shown in FIG. 1.

In each of these Figures, the unshown portion of the side lining panel for an aircraft cabin forms no part of the claimed design.

**1 Claim, 1 Drawing Sheet**



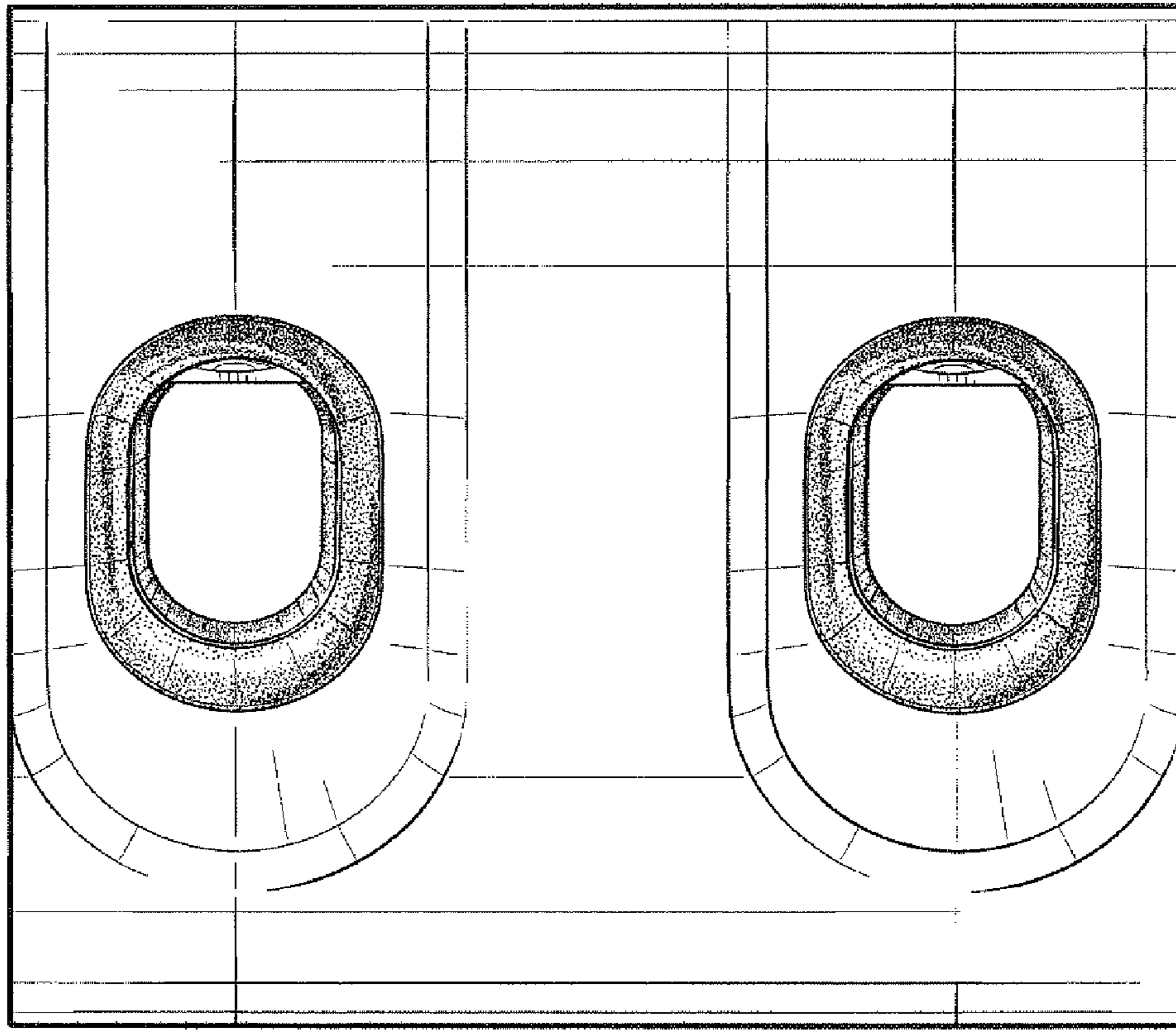


FIG. 1

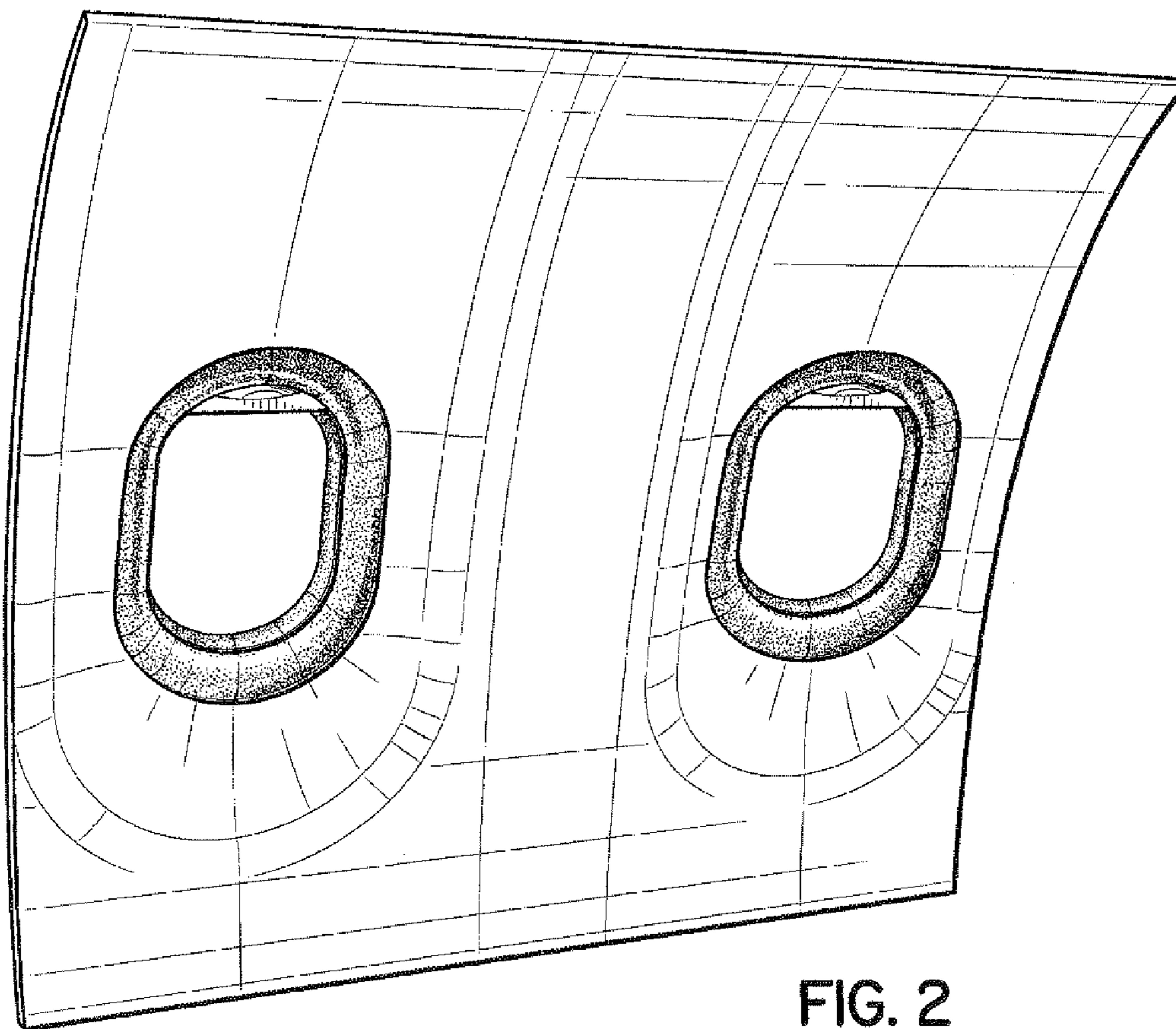


FIG. 2