



US00D600618S

(12) **United States Design Patent**
Schuephaus et al.

(10) **Patent No.:** **US D600,618 S**
(45) **Date of Patent:** **** Sep. 22, 2009**

(54) **SIDE LINING PANEL FOR AN AIRCRAFT CABIN**

(75) Inventors: **Florian Schuephaus**, Hamburg (DE);
Silvan Fiedler, Ulm (DE)

(73) Assignee: **Airbus Deutschland GmbH**, Hamburg (DE)

(**) Term: **14 Years**

(21) Appl. No.: **29/329,691**

(22) Filed: **Dec. 19, 2008**

Related U.S. Application Data

(62) Division of application No. 29/295,858, filed on Oct. 9, 2007, now Pat. No. Des. 592,584.

(30) **Foreign Application Priority Data**

Apr. 18, 2007 (EM) 000709167

(51) **LOC (9) Cl.** **12-07**

(52) **U.S. Cl.** **D12/345**

(58) **Field of Classification Search** D12/317-319, D12/322-324, 326, 343, 345, 400, 195, 183; 114/78, 189; D25/52; 244/117 R, 119, 126, 244/129.1, 129.3; 296/200-201

See application file for complete search history.

(56) **References Cited**

U.S. PATENT DOCUMENTS

3,429,530 A * 2/1969 Hertel 244/129.3

4,739,955 A * 4/1988 Aquino et al. 244/129.4
D331,215 S * 11/1992 Moreno et al. D12/183
6,129,312 A * 10/2000 Weber 244/118.5
D463,357 S * 9/2002 Granzeier et al. D12/345
6,547,184 B2 * 4/2003 Nieberle 244/119
6,786,453 B2 * 9/2004 Jones 244/129.3
D588,977 S * 3/2009 Bock D12/345

* cited by examiner

Primary Examiner—Ian Simmons

Assistant Examiner—Dana L Sipos

(74) *Attorney, Agent, or Firm*—Wood, Herron & Evans, LLP

(57) **CLAIM**

The ornamental design for a side lining panel for an aircraft cabin, as shown and described.

DESCRIPTION

FIG. 1 is a front view of a first model of a side lining panel for an aircraft cabin.

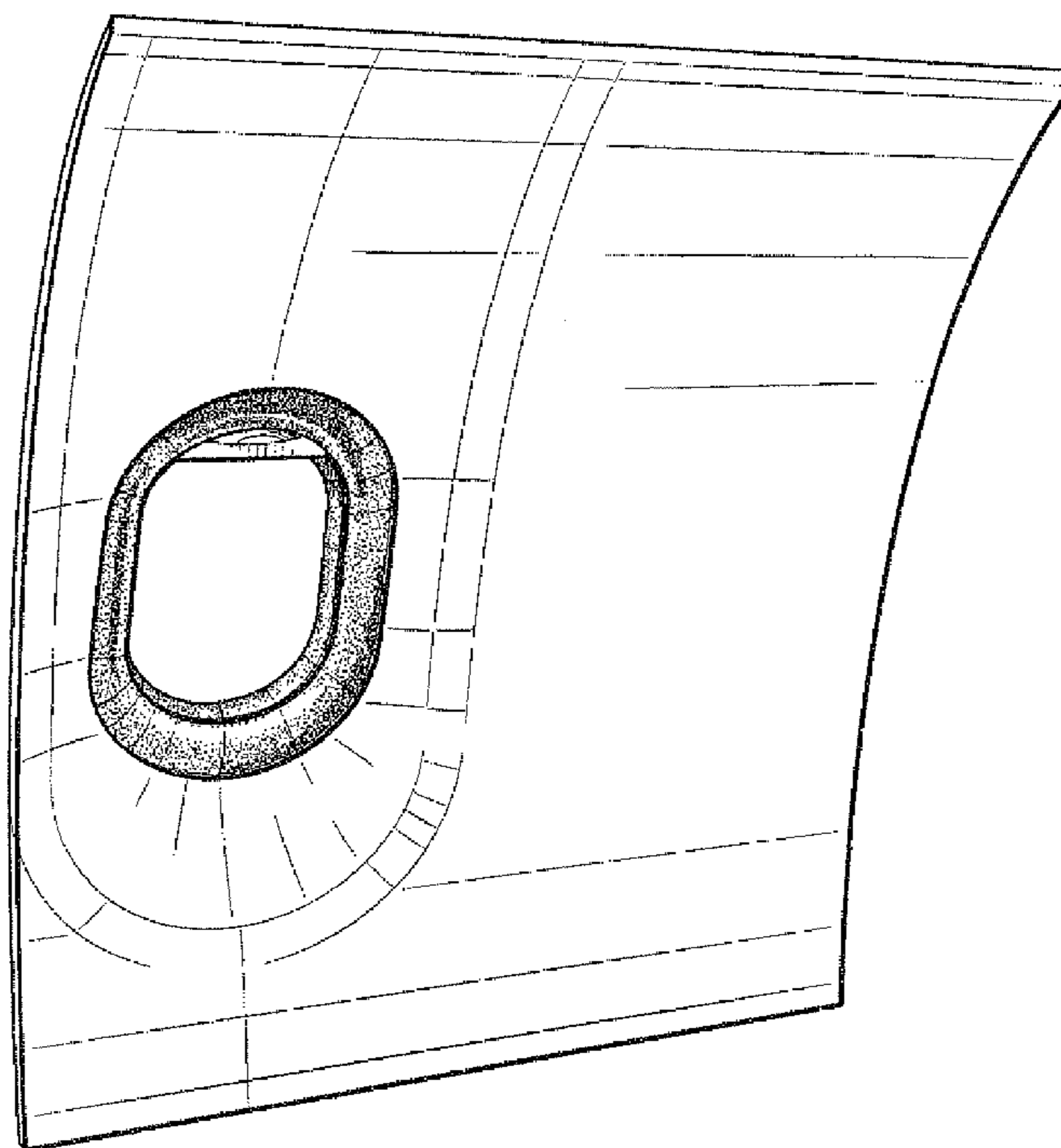
FIG. 2 is a perspective view of the first model of a side lining panel for an aircraft cabin.

FIG. 3 is a front view of a second model of a side lining panel for an aircraft cabin; and,

FIG. 4 is a perspective view of the second model of a side lining panel for an aircraft cabin.

In each of these Figures, the unshown portion of the side lining panel for an aircraft cabin forms no part of the claimed design.

1 Claim, 2 Drawing Sheets



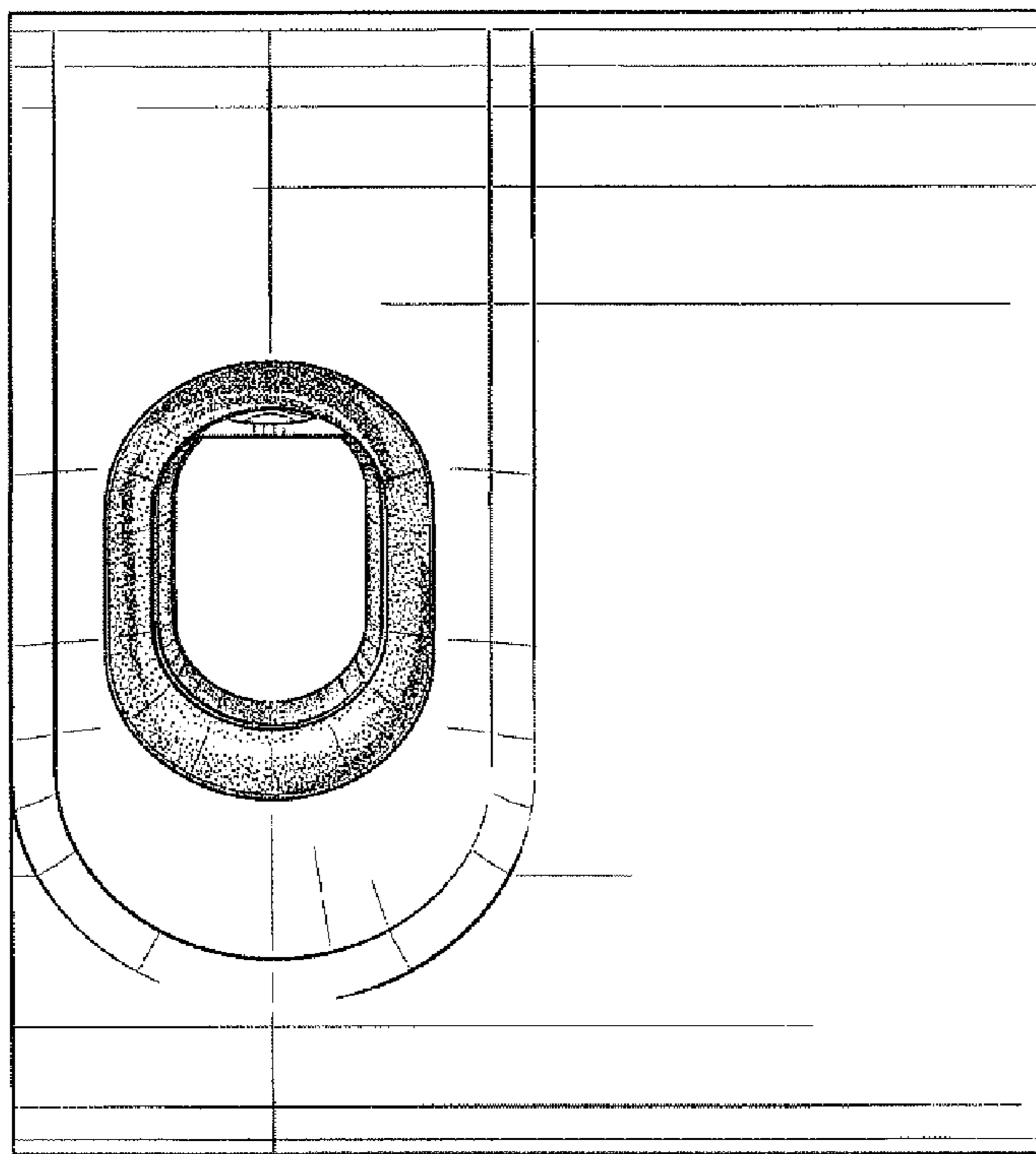


FIG. 1

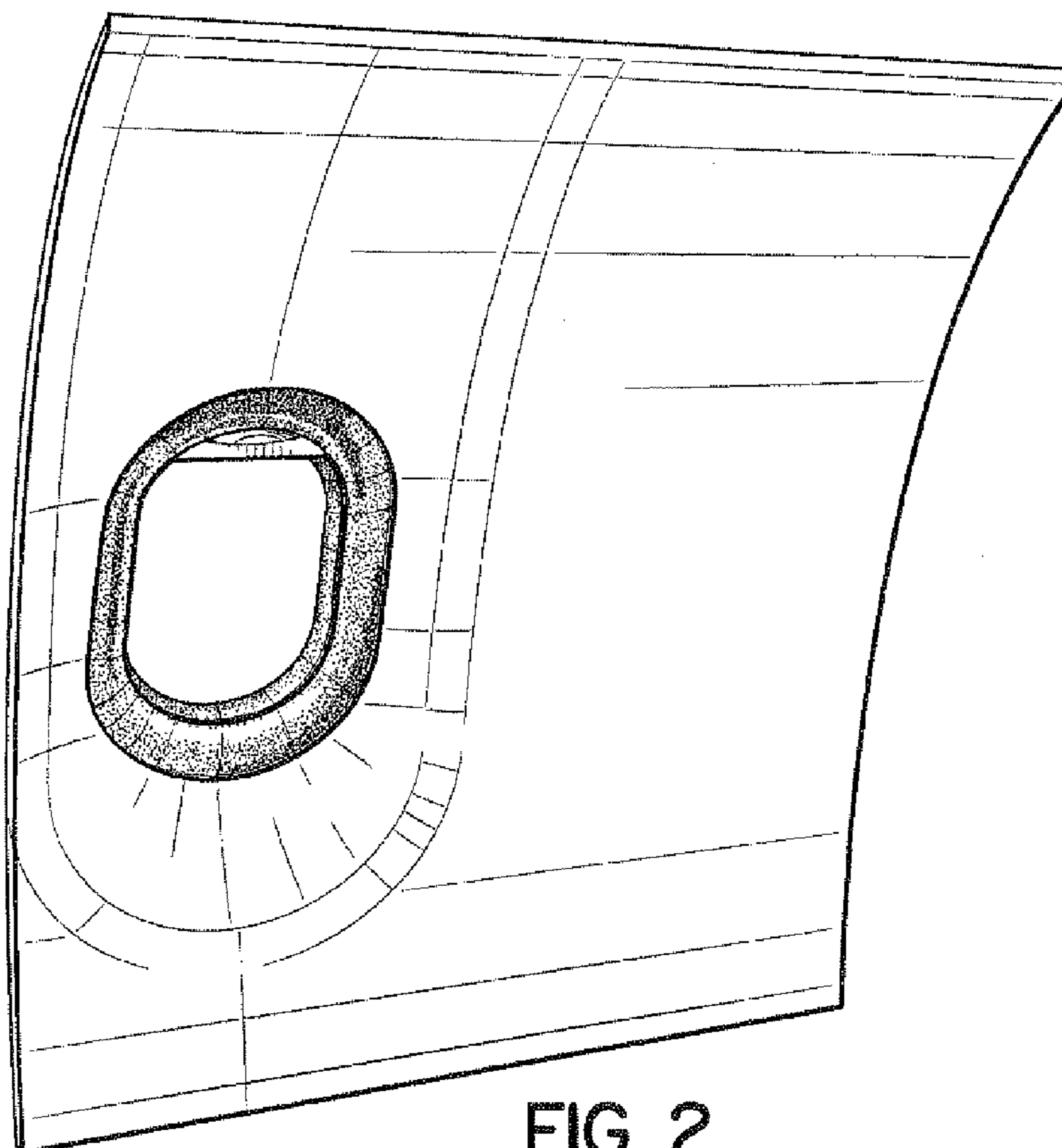


FIG. 2

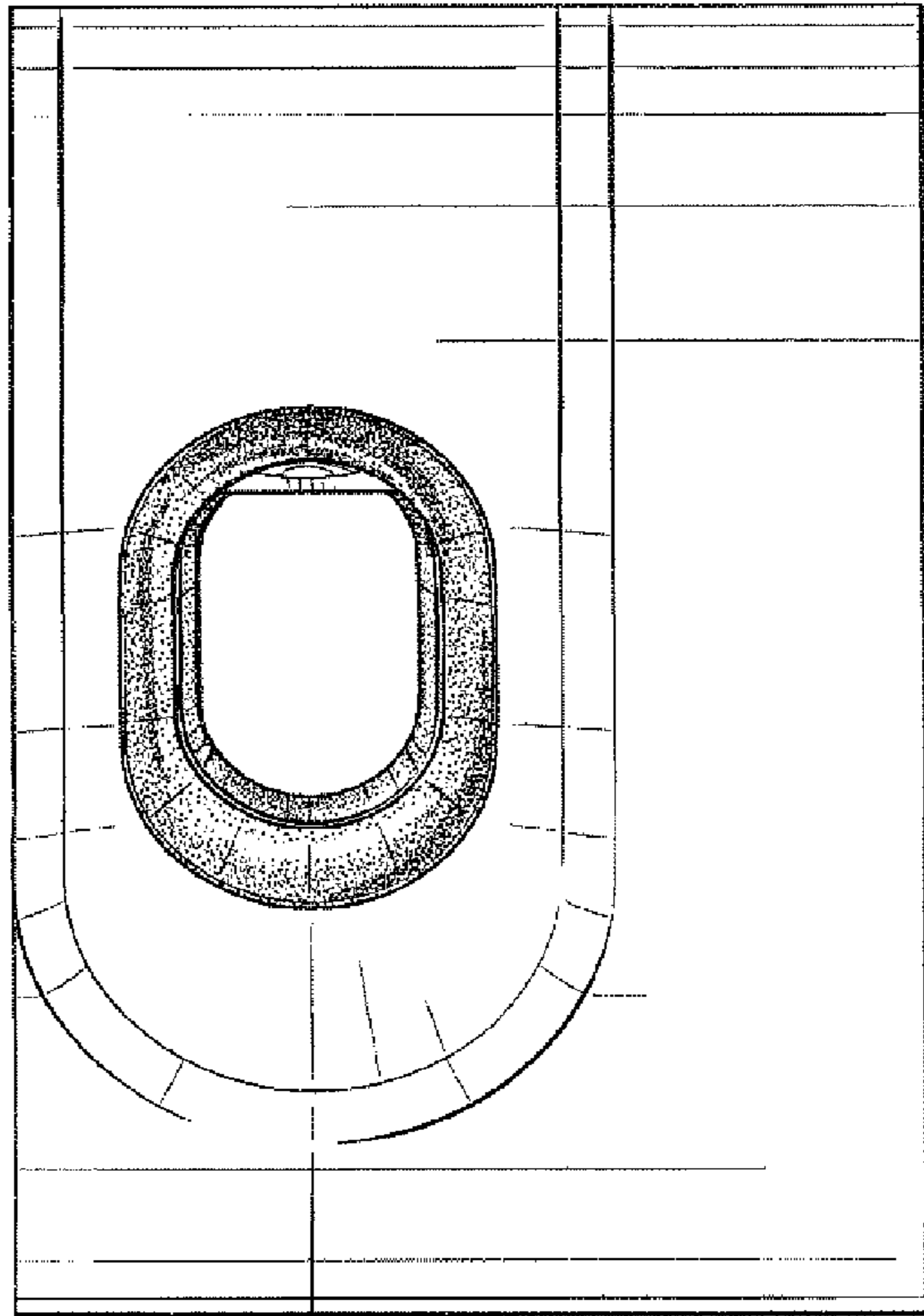


FIG. 3

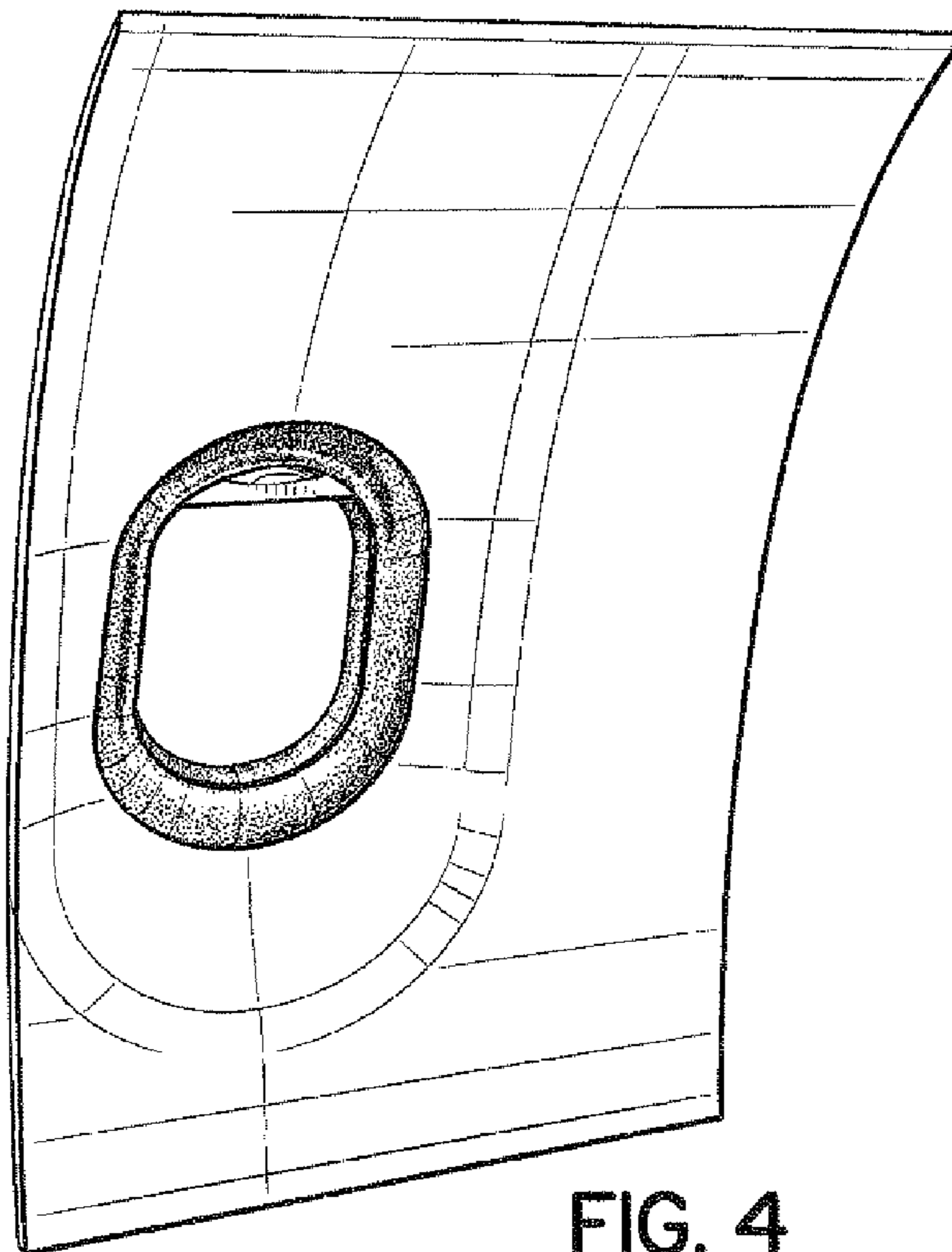


FIG. 4