



US00D600615S

(12) **United States Design Patent**
Last

(10) **Patent No.:** **US D600,615 S**

(45) **Date of Patent:** **** Sep. 22, 2009**

(54) **WHEEL ARCH COVER FOR THE INTERIOR OF A VEHICLE**

D545,253 S * 6/2007 Jones D12/184

* cited by examiner

(75) Inventor: **John Last**, Newcastle upon Tyne (GB)

Primary Examiner—Elizabeth A Albert

(73) Assignee: **M.T.L. International Limited** (GB)

Assistant Examiner—Kelley A Donnelly

(**) Term: **14 Years**

(74) *Attorney, Agent, or Firm*—Ostrolenk Faber LLP

(21) Appl. No.: **29/322,242**

(57) **CLAIM**

(22) Filed: **Jul. 31, 2008**

The ornamental design for wheel arch cover for the interior of a vehicle, as shown.

(30) **Foreign Application Priority Data**

DESCRIPTION

Feb. 1, 2008 (EM) 000872718

FIG. 1 is a perspective view of a first embodiment of a wheel arch cover for the interior of a vehicle;

(51) **LOC (9) Cl.** **12-08**

FIG. 2 is a top view;

(52) **U.S. Cl.** **D12/195**

FIG. 3 is a bottom view;

(58) **Field of Classification Search** D12/195,
D12/202, 415–416; 425/17; 224/42.12,
224/42.13, 42.2, 42.21; 296/37.1–37.8, 70,
296/24.1

FIG. 4 is a right side view;

See application file for complete search history.

FIG. 5 is a left side view;

FIG. 6 is a front end view;

FIG. 7 is a rear end view.

(56) **References Cited**

FIG. 8 is a perspective view of a second embodiment of a wheel arch cover for the interior of a vehicle;

U.S. PATENT DOCUMENTS

FIG. 9 is a top view;

1,937,114 A * 11/1933 Hansen et al. 29/521

FIG. 10 is a bottom view;

2,010,080 A * 8/1935 Hansen et al. 280/152.05

FIG. 11 is a right side view;

D294,246 S * 2/1988 Patrick, III D12/190

FIG. 12 is a left side view;

D305,322 S * 1/1990 Campbell D12/202

FIG. 13 is a front end view; and,

D328,052 S * 7/1992 Stout, III D12/202

FIG. 14 is a rear end view.

5,203,479 A * 4/1993 Lucas 224/42.13

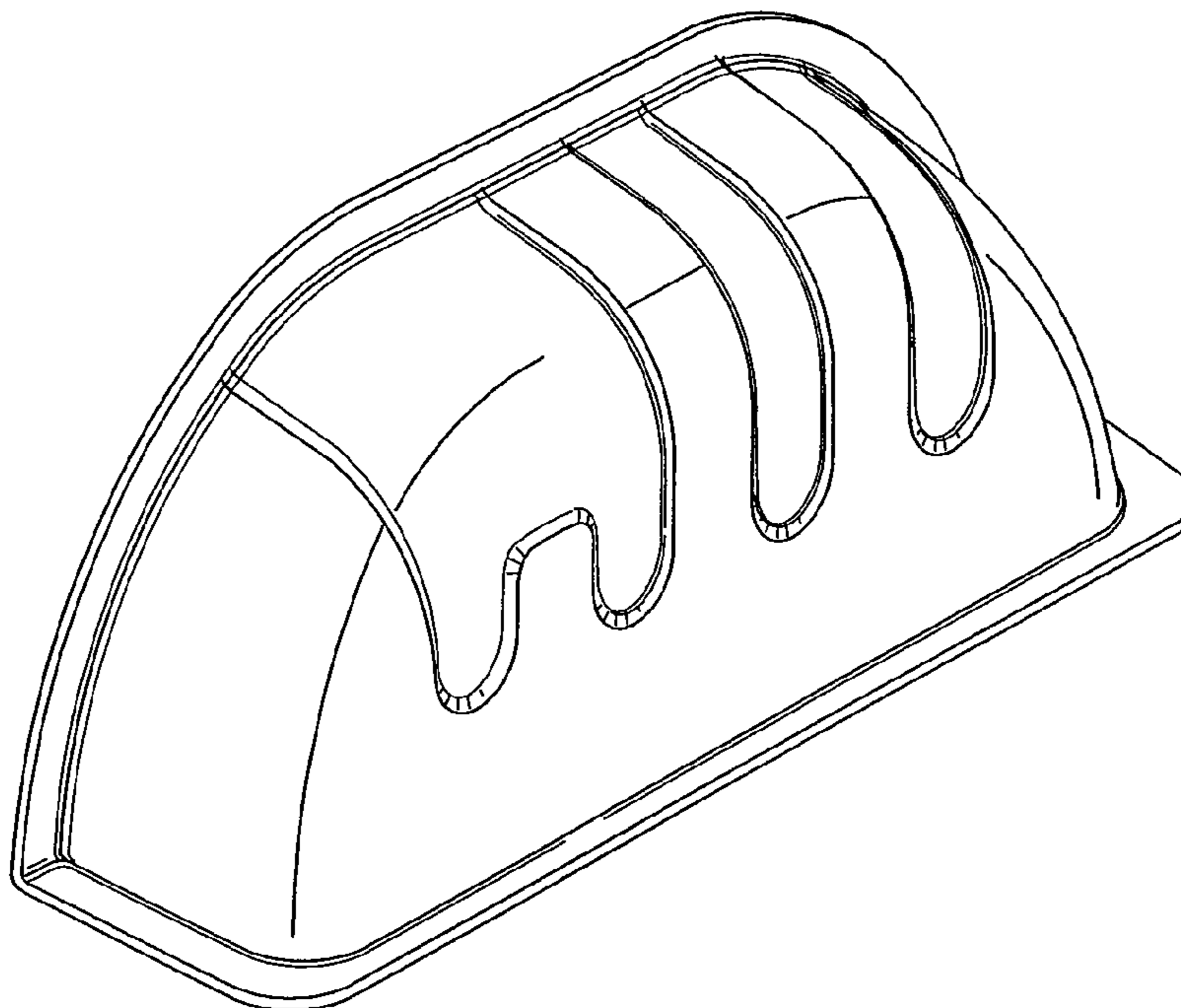
5,427,287 A * 6/1995 Harrison 224/42.21

D469,725 S * 2/2003 Murkett D12/202

D524,202 S * 7/2006 Devitt D12/184

D541,730 S * 5/2007 Vitito D12/418

1 Claim, 4 Drawing Sheets



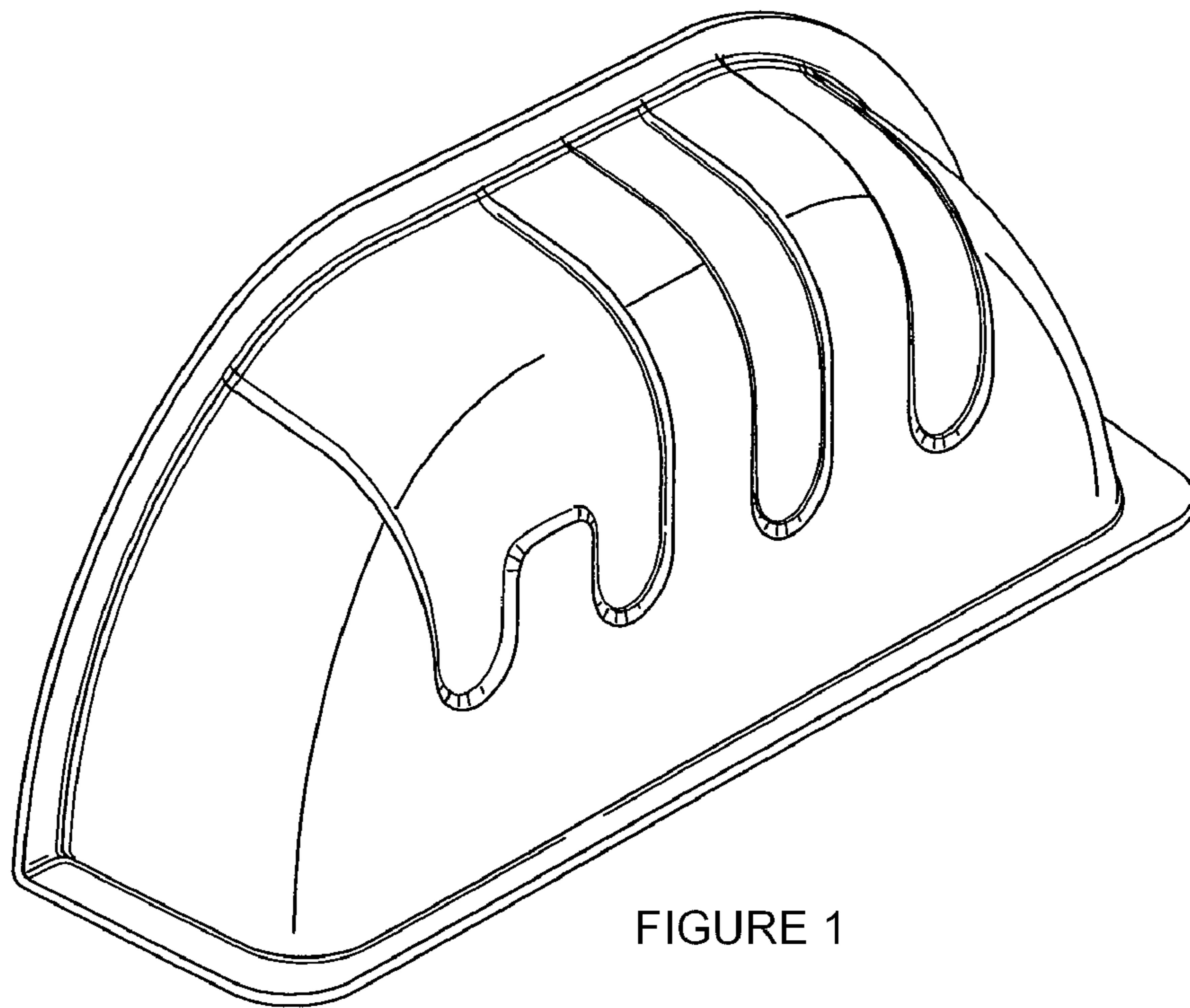


FIGURE 1

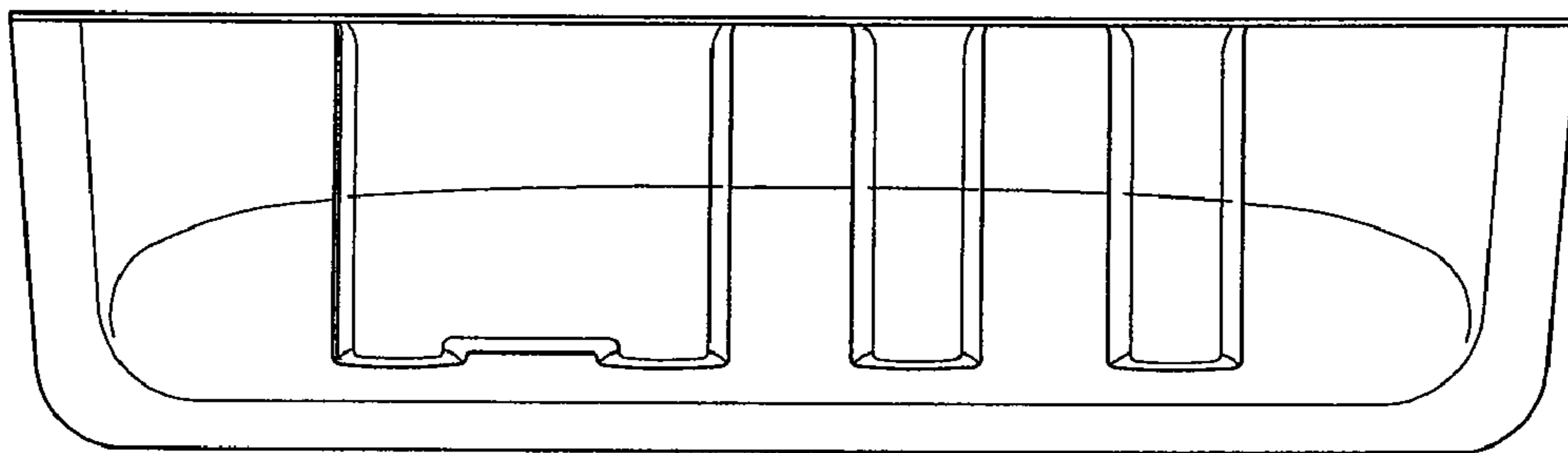


FIGURE 2

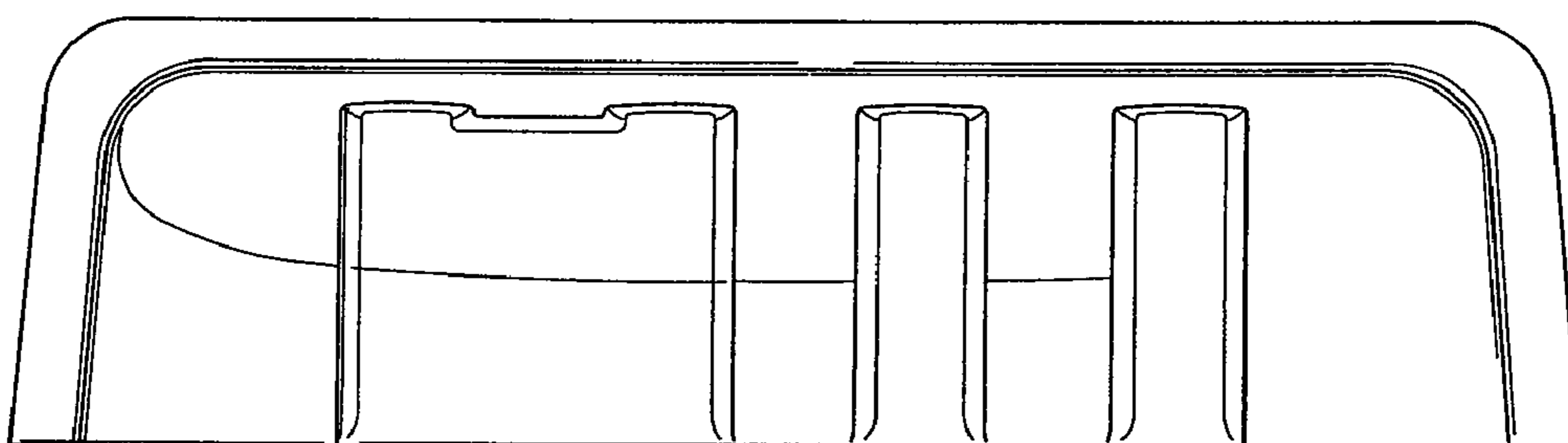


FIGURE 3

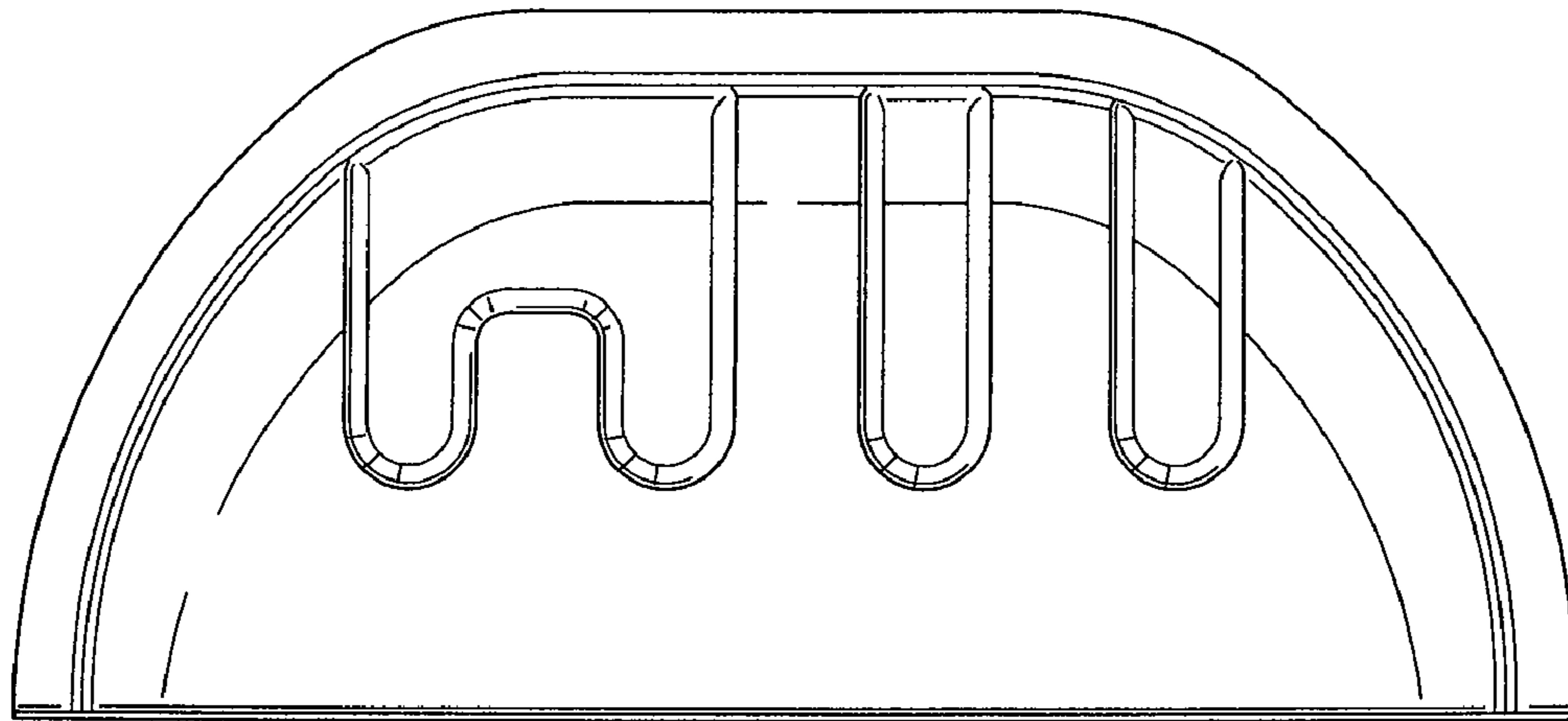


FIGURE 4

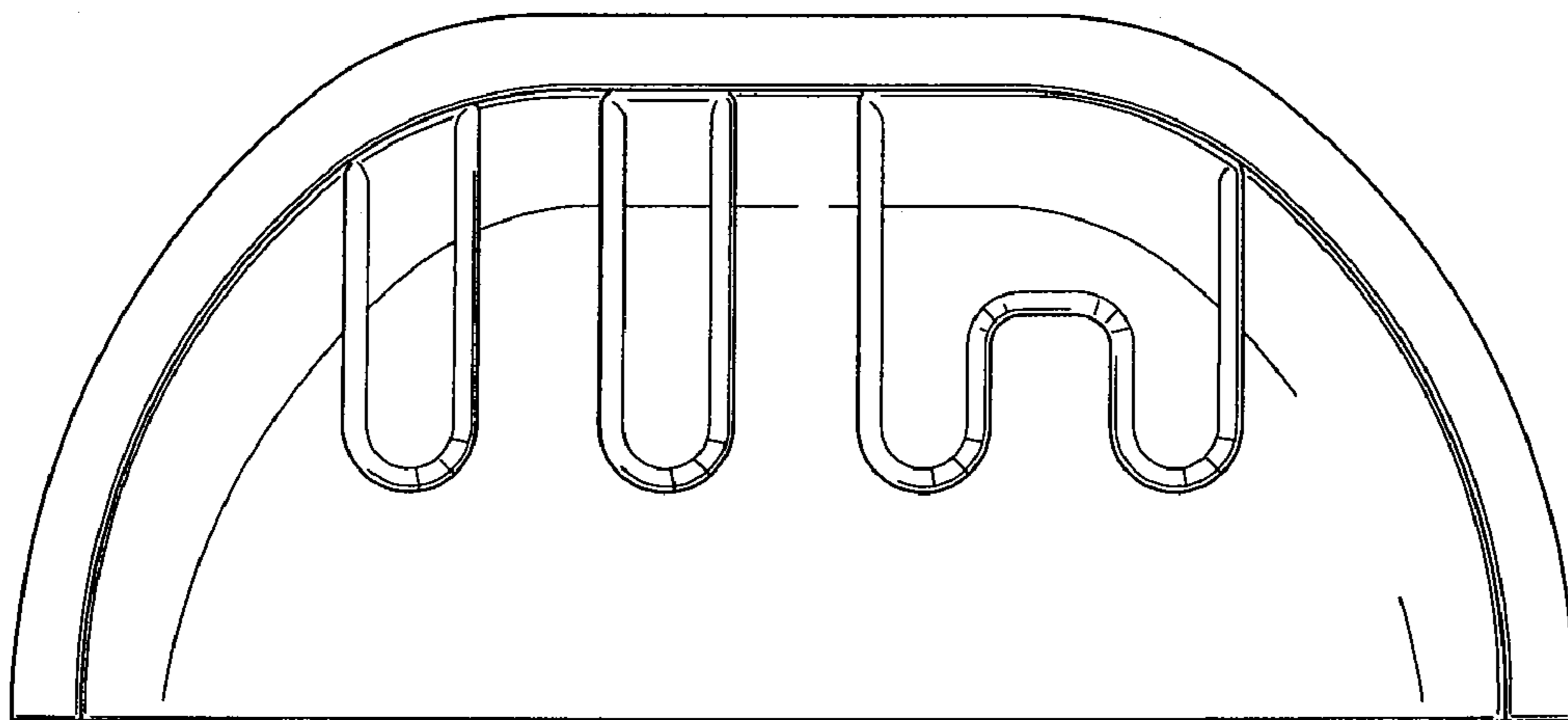


FIGURE 5

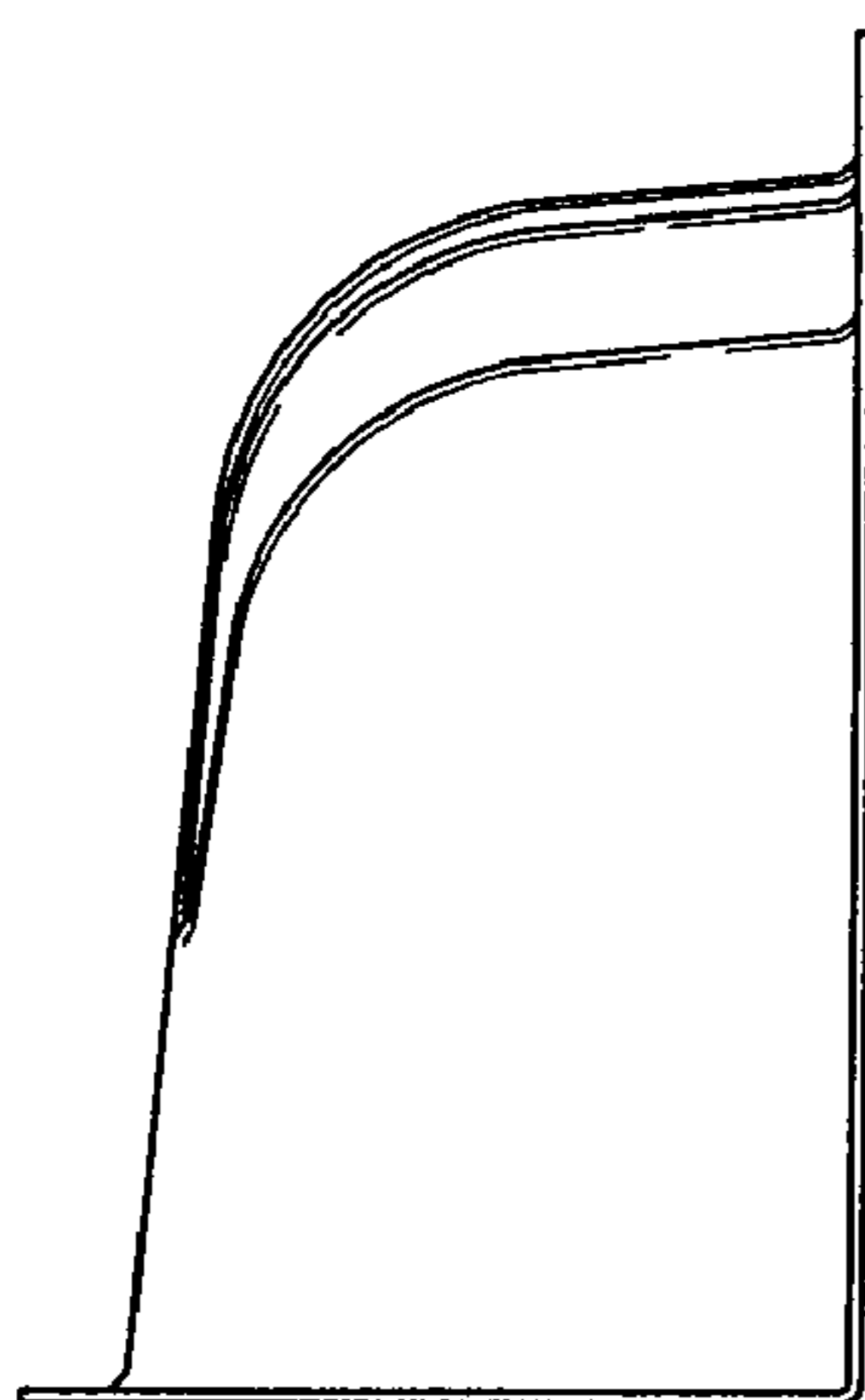


FIGURE 6

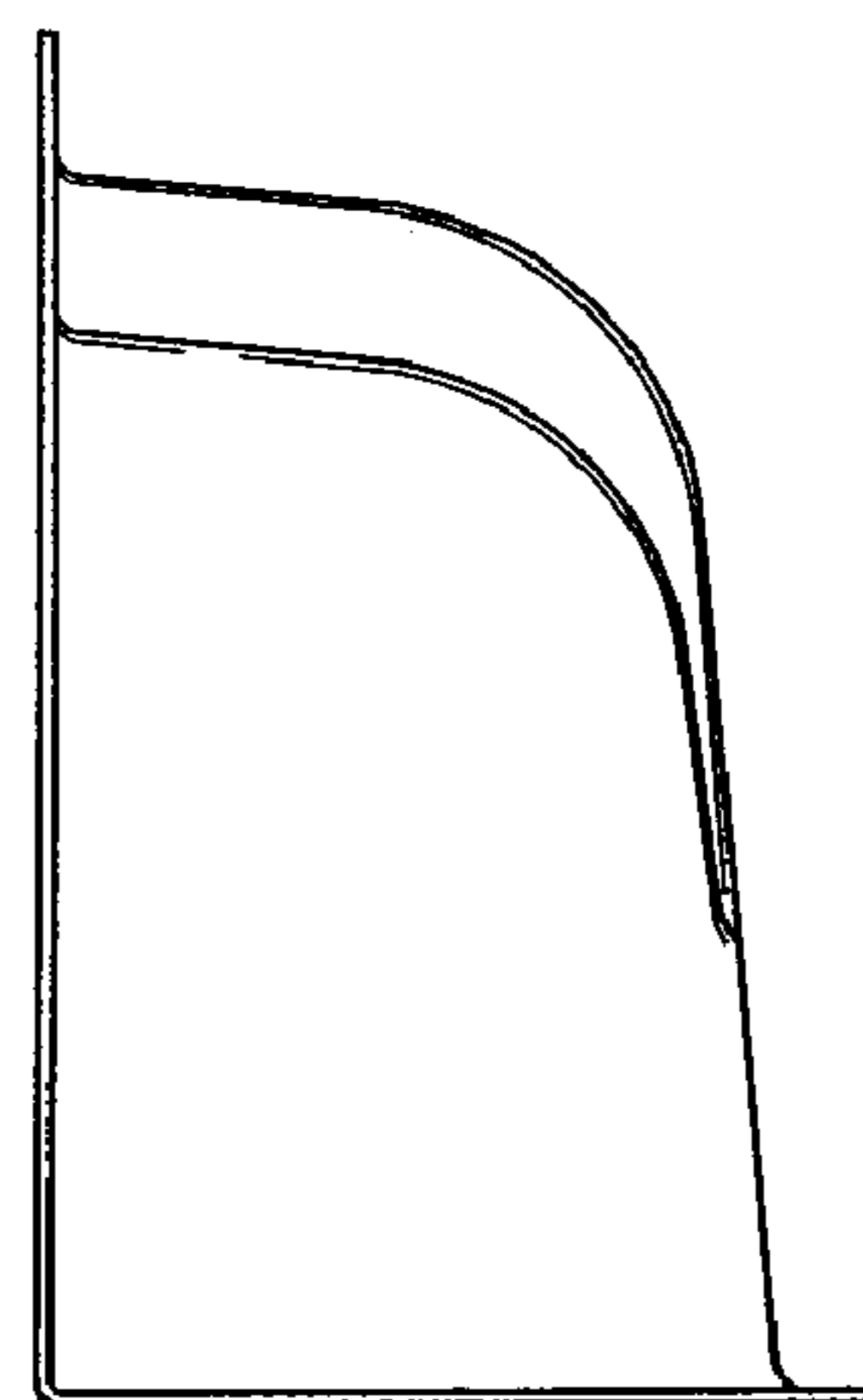


FIGURE 7

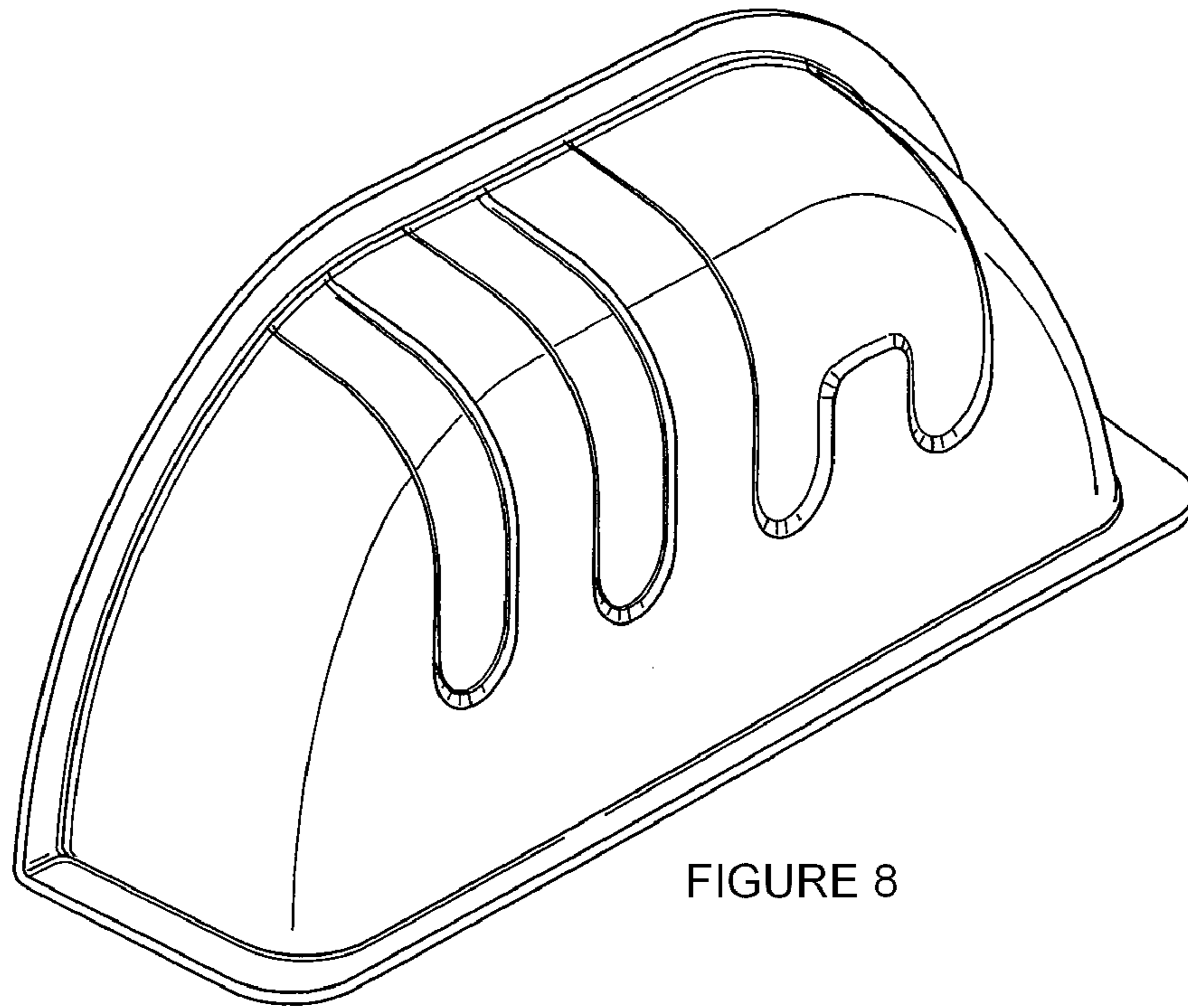


FIGURE 8

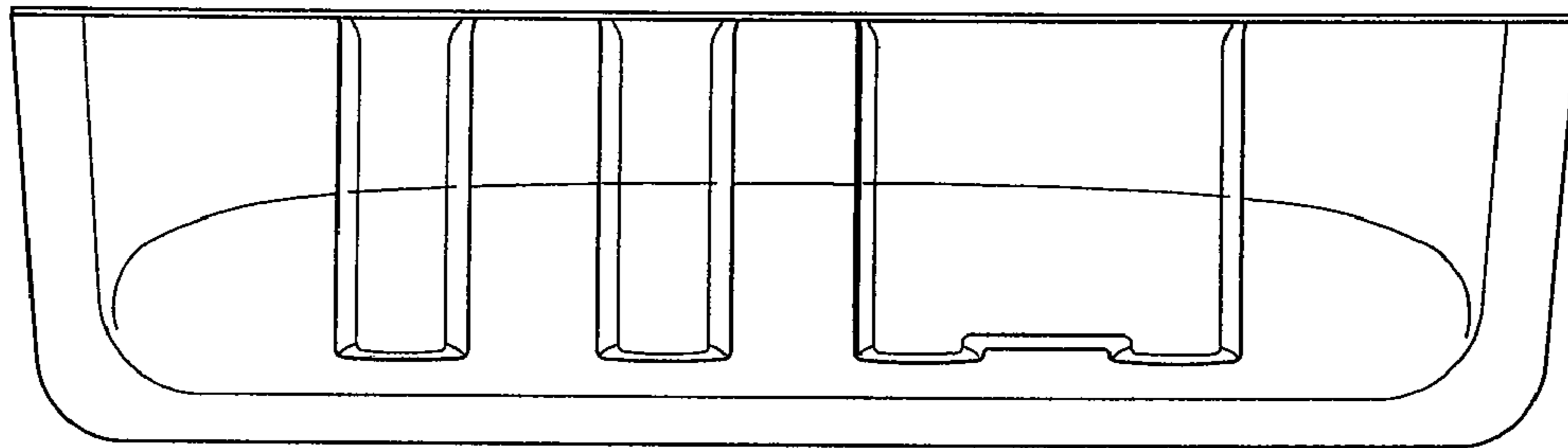


FIGURE 9

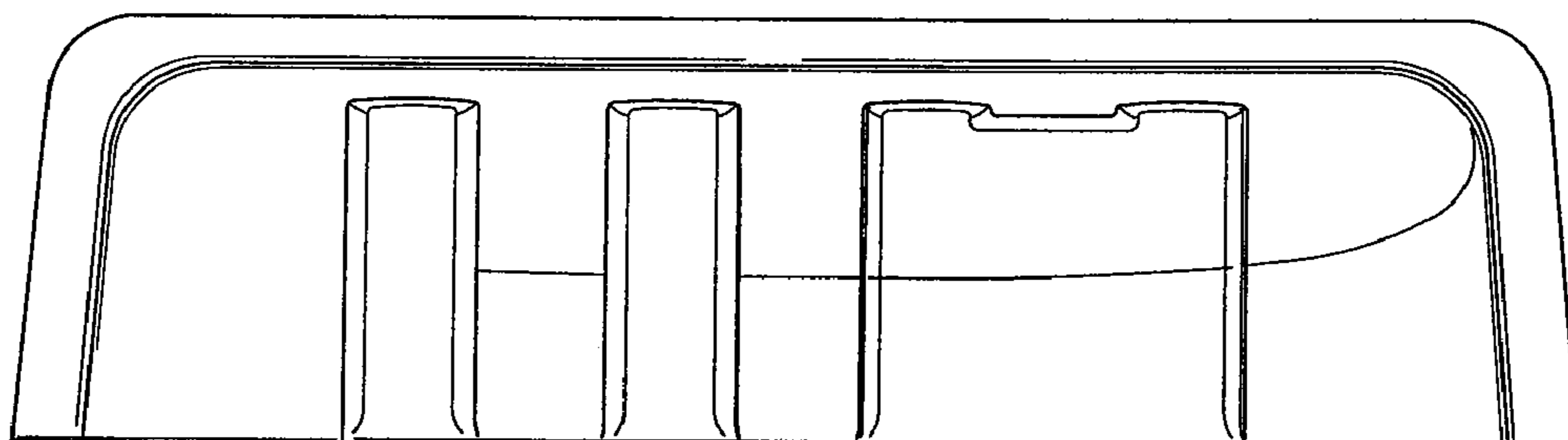


FIGURE 10

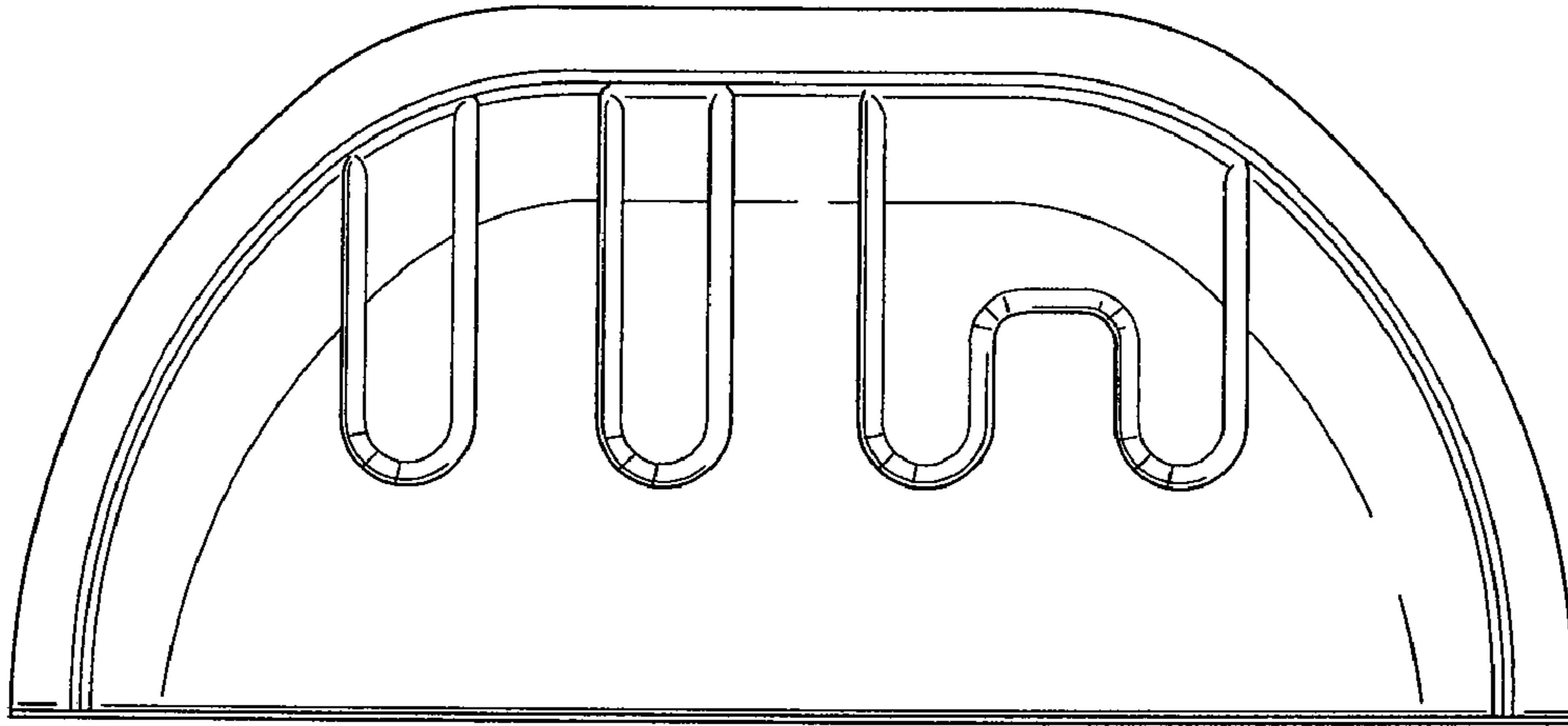


FIGURE 11

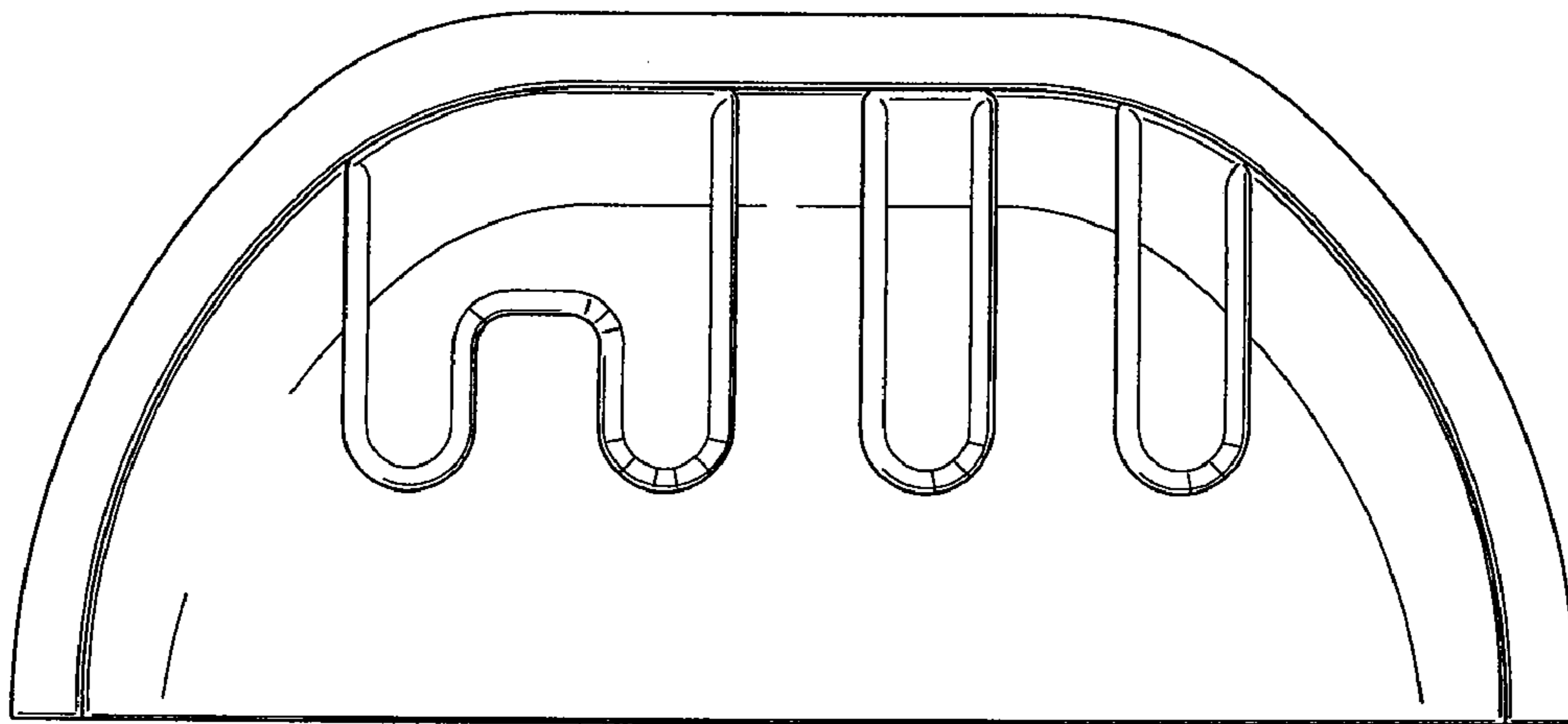


FIGURE 12

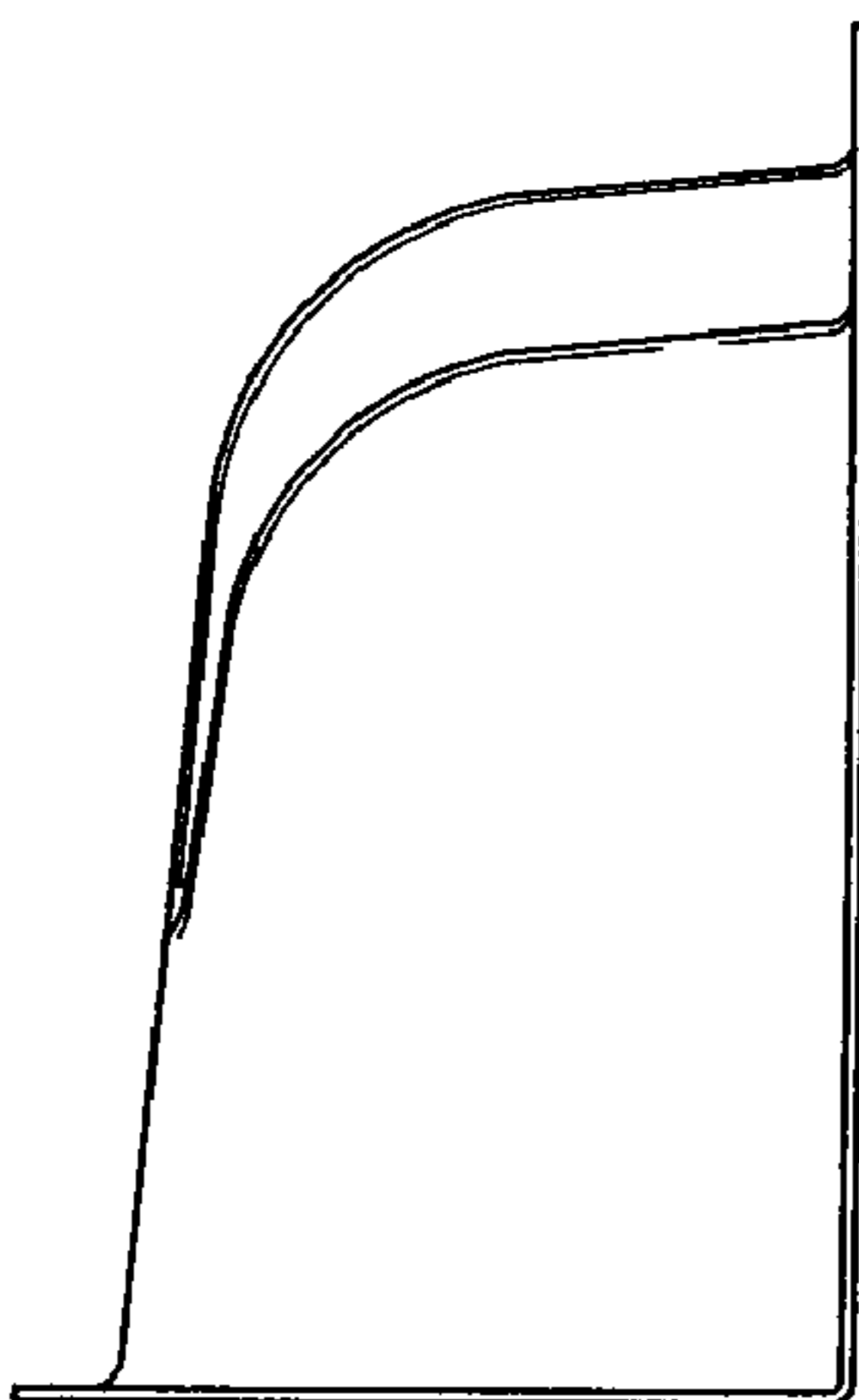


FIGURE 13

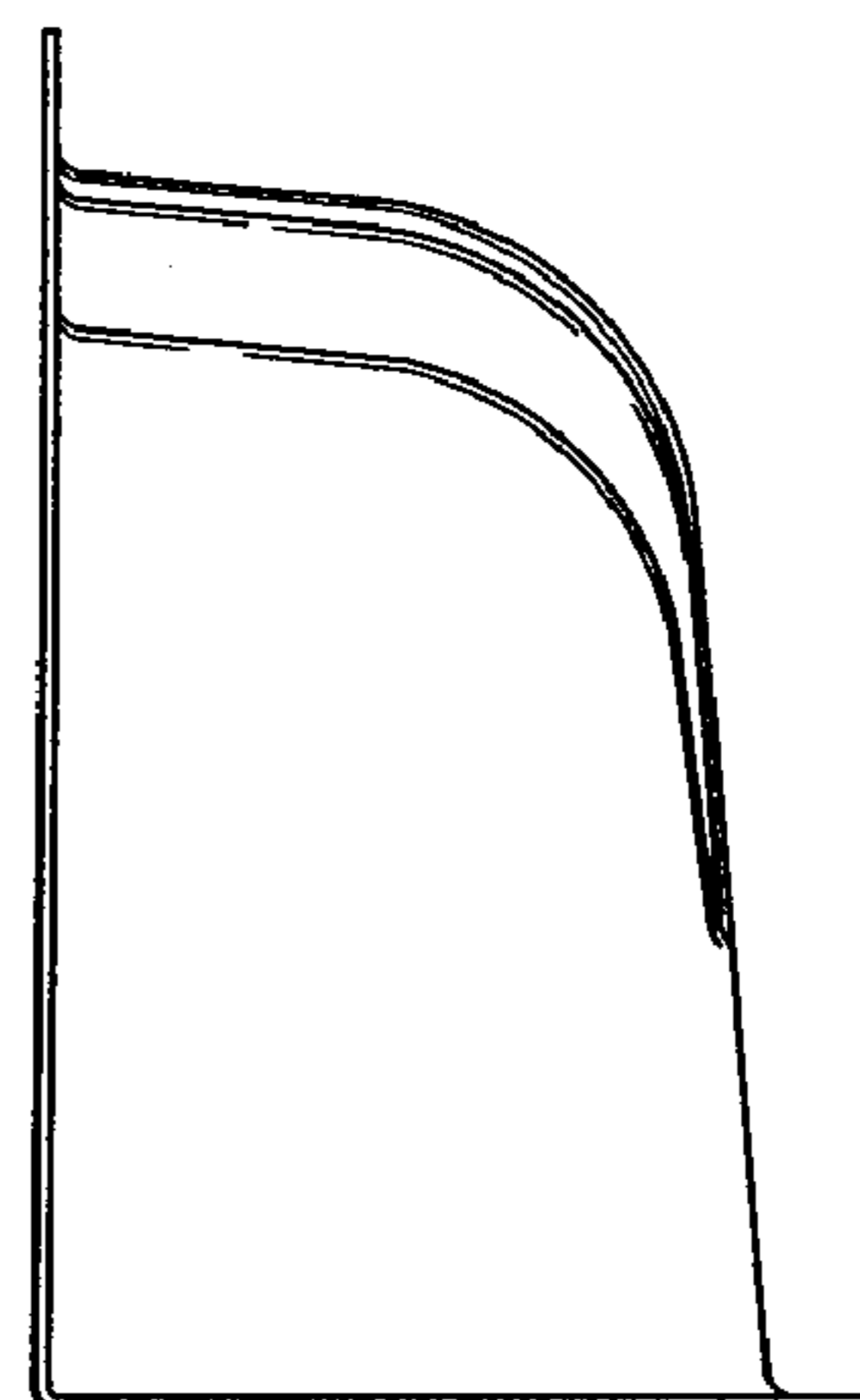


FIGURE 14