



US00D600613S

(12) **United States Design Patent**
Jungmann et al.

(10) **Patent No.:** **US D600,613 S**

(45) **Date of Patent:** **** Sep. 22, 2009**

(54) **DISK BRAKE**

(75) Inventors: **Hans-Christian Jungmann**,
Gorxheimertal (DE); **Eugen Kloos**,
Bensheim (DE)

(73) Assignee: **WABCO GmbH**, Hannover (DE)

(**) Term: **14 Years**

(21) Appl. No.: **29/313,670**

(22) Filed: **Jan. 30, 2009**

(30) **Foreign Application Priority Data**

Aug. 2, 2008 (DE) 40 2008 003 673

(51) **LOC (9) Cl.** **12-16**

(52) **U.S. Cl.** **D12/180**

(58) **Field of Classification Search** D12/180;
188/71.1, 73.3, 73.31-73.39, 72.2, 72.4,
188/73.41-73.46, 218 XL, 370, 1.11 W
See application file for complete search history.

(56) **References Cited**

U.S. PATENT DOCUMENTS

D512,352 S * 12/2005 Veneziano et al. D12/180
D522,420 S * 6/2006 Crippa et al. D12/180
D522,421 S * 6/2006 Crippa et al. D12/180
D523,794 S * 6/2006 Strumbo et al. D12/180

D527,321 S * 8/2006 Gherardi et al. D12/180
D555,555 S * 11/2007 Ikuzawa et al. D12/180
D556,103 S * 11/2007 Morimoto D12/180
7,331,430 B2 * 2/2008 Valvano et al. 188/71.5
D588,513 S * 3/2009 Crippa et al. D12/180

* cited by examiner

Primary Examiner—Melody N Brown

(74) *Attorney, Agent, or Firm*—Kramer Levin Naftalis &
Frankel LLP

(57) **CLAIM**

The ornamental design for a disk brake, as shown and described.

DESCRIPTION

FIG. 1 is a front, bottom perspective view of a disk brake showing the new design;

FIG. 2 is a top perspective view thereof;

FIG. 3 is a front perspective view thereof;

FIG. 4 is a right side perspective view thereof;

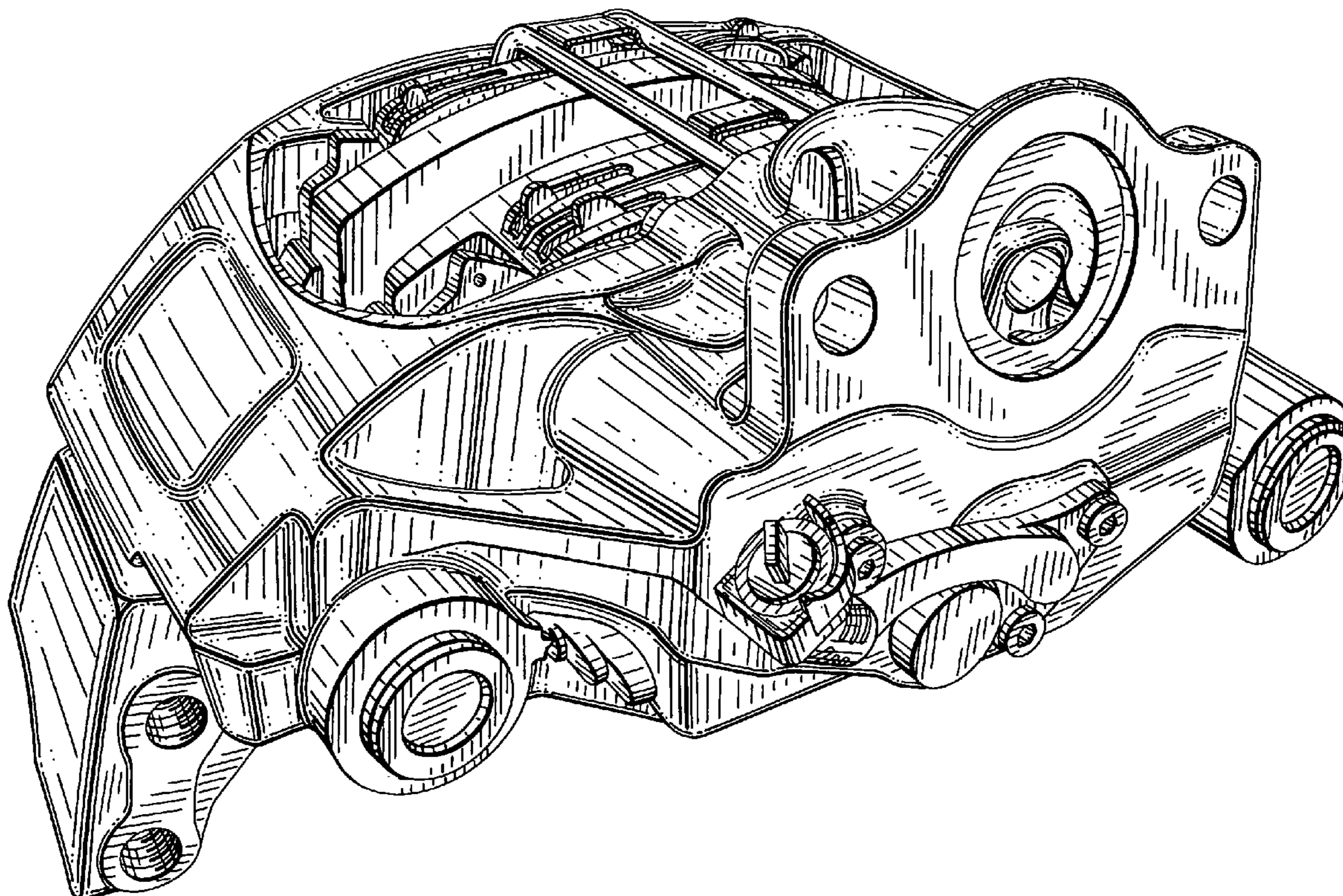
FIG. 5 is a left side perspective view thereof;

FIG. 6 is a rear perspective view thereof;

FIG. 7 is a bottom perspective view thereof; and,

FIG. 8 is a rear, top, right side perspective view thereof.

1 Claim, 8 Drawing Sheets



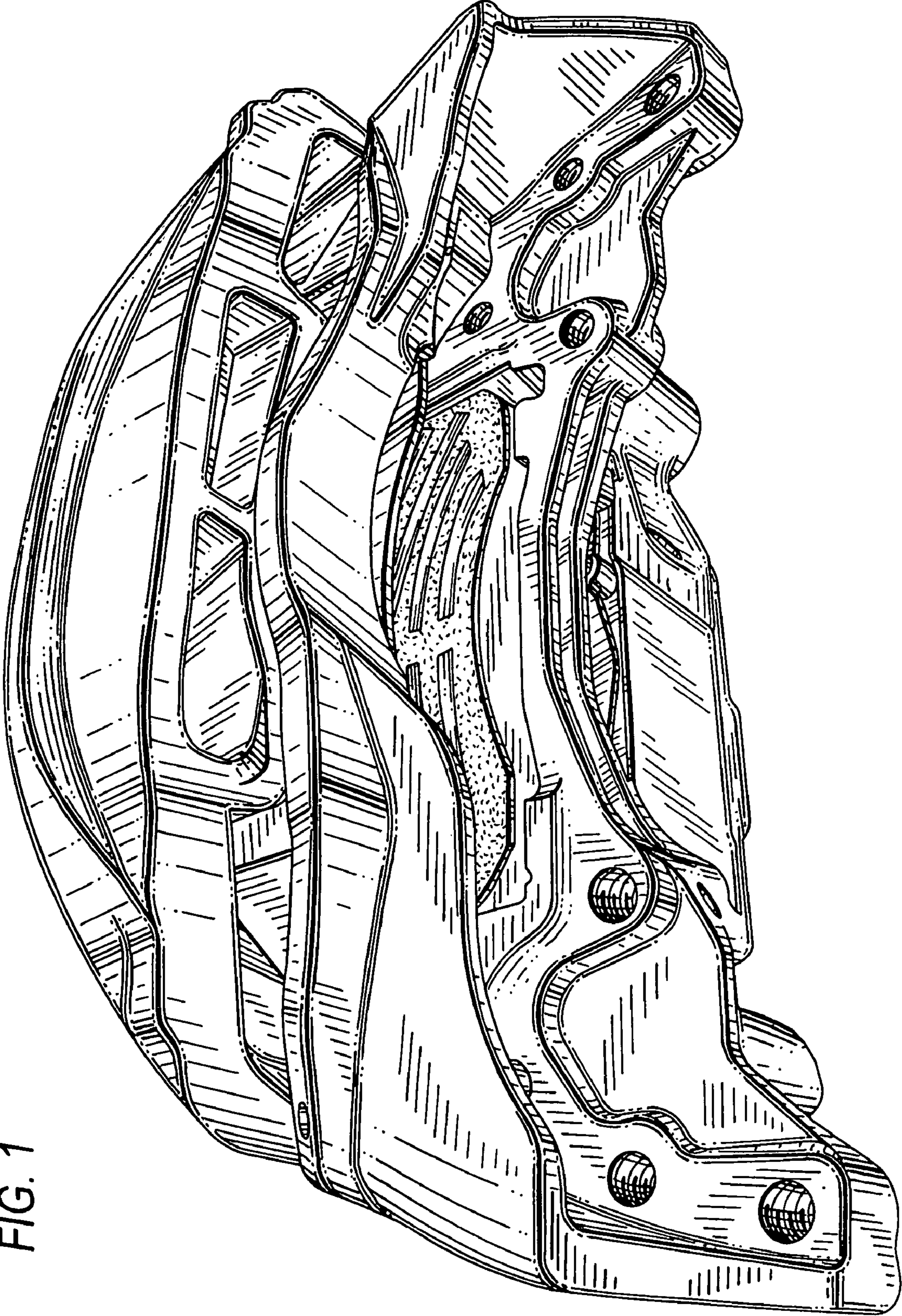
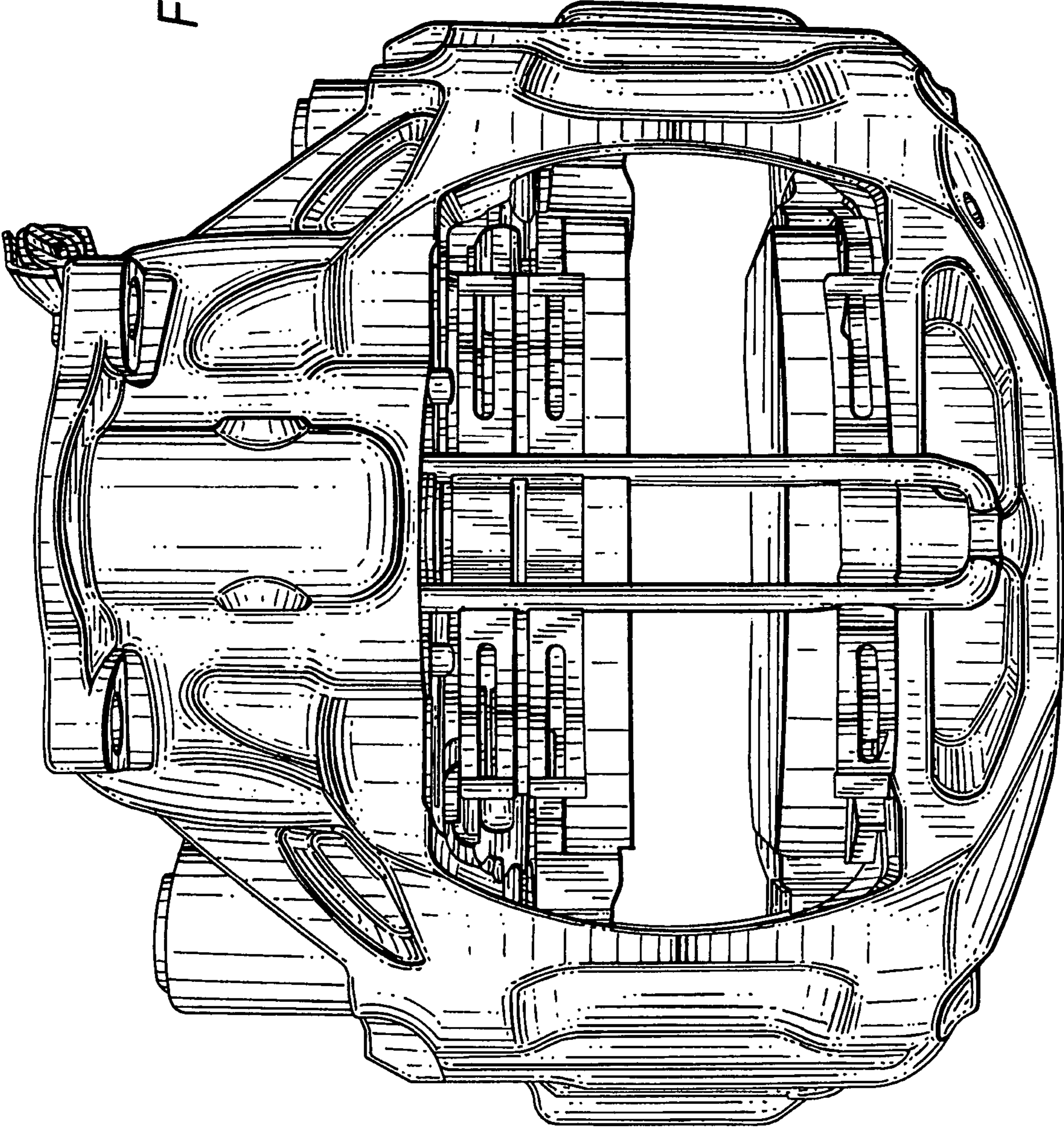


FIG. 1

FIG. 2



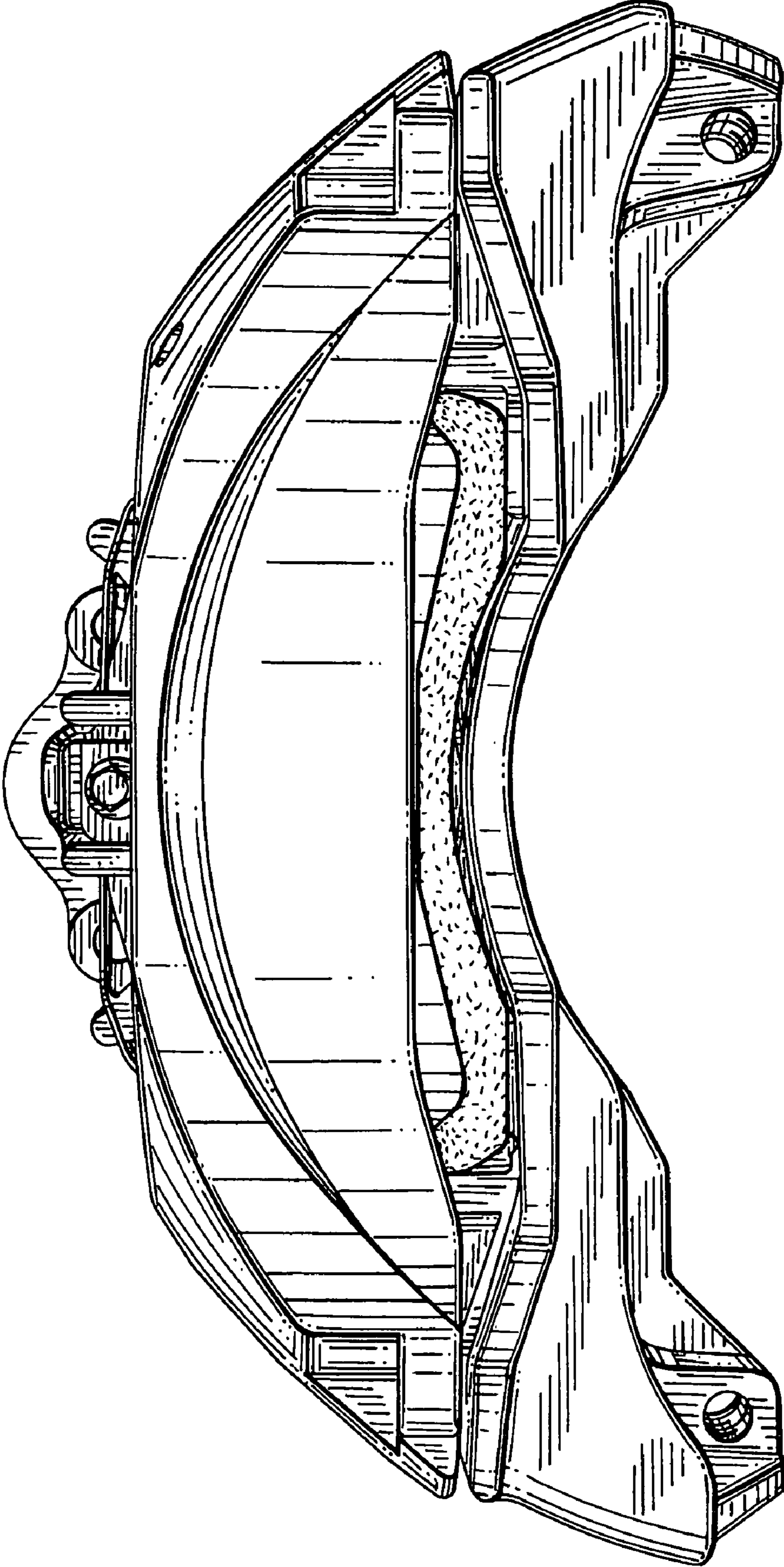


FIG. 3

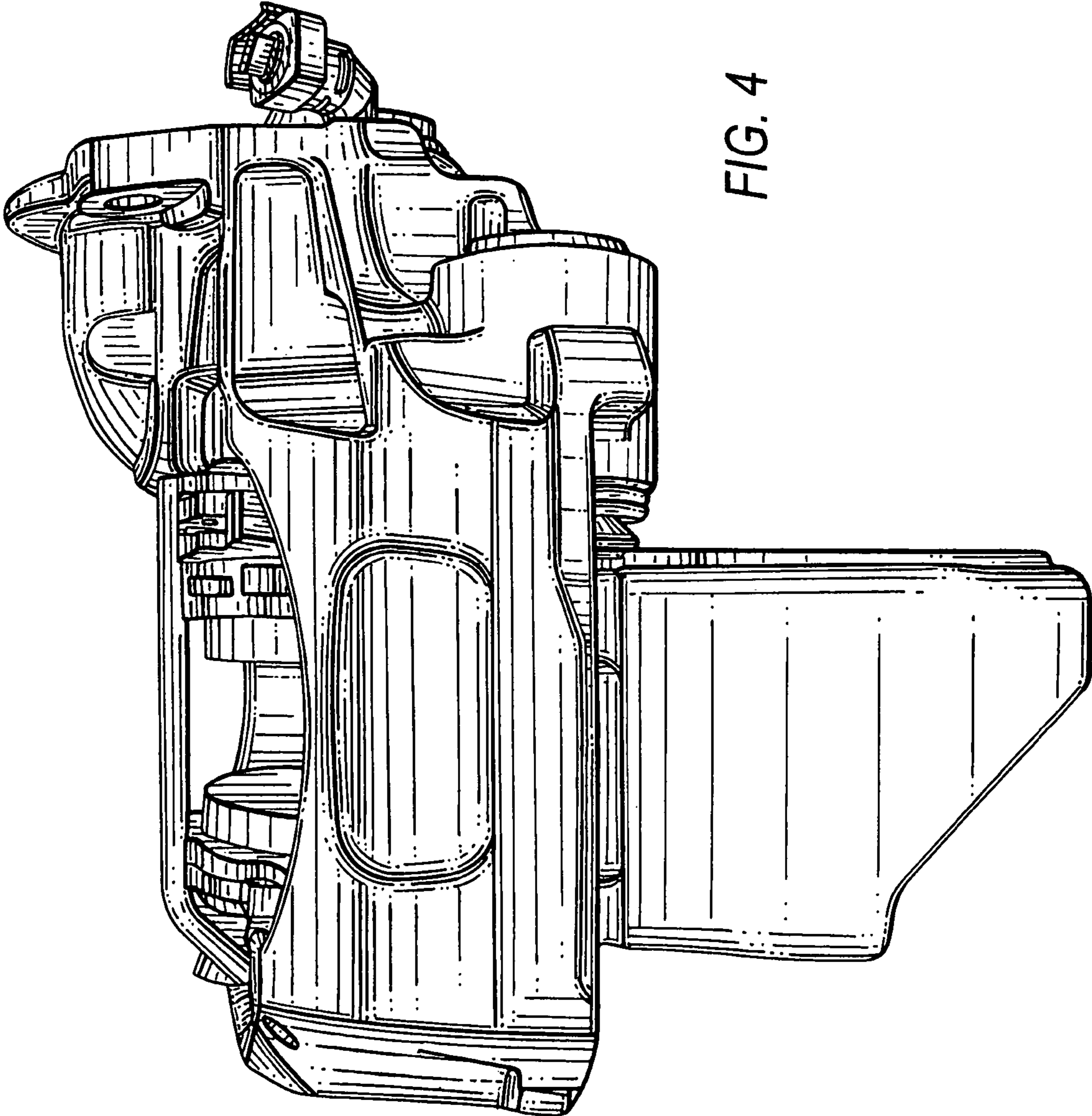


FIG. 4

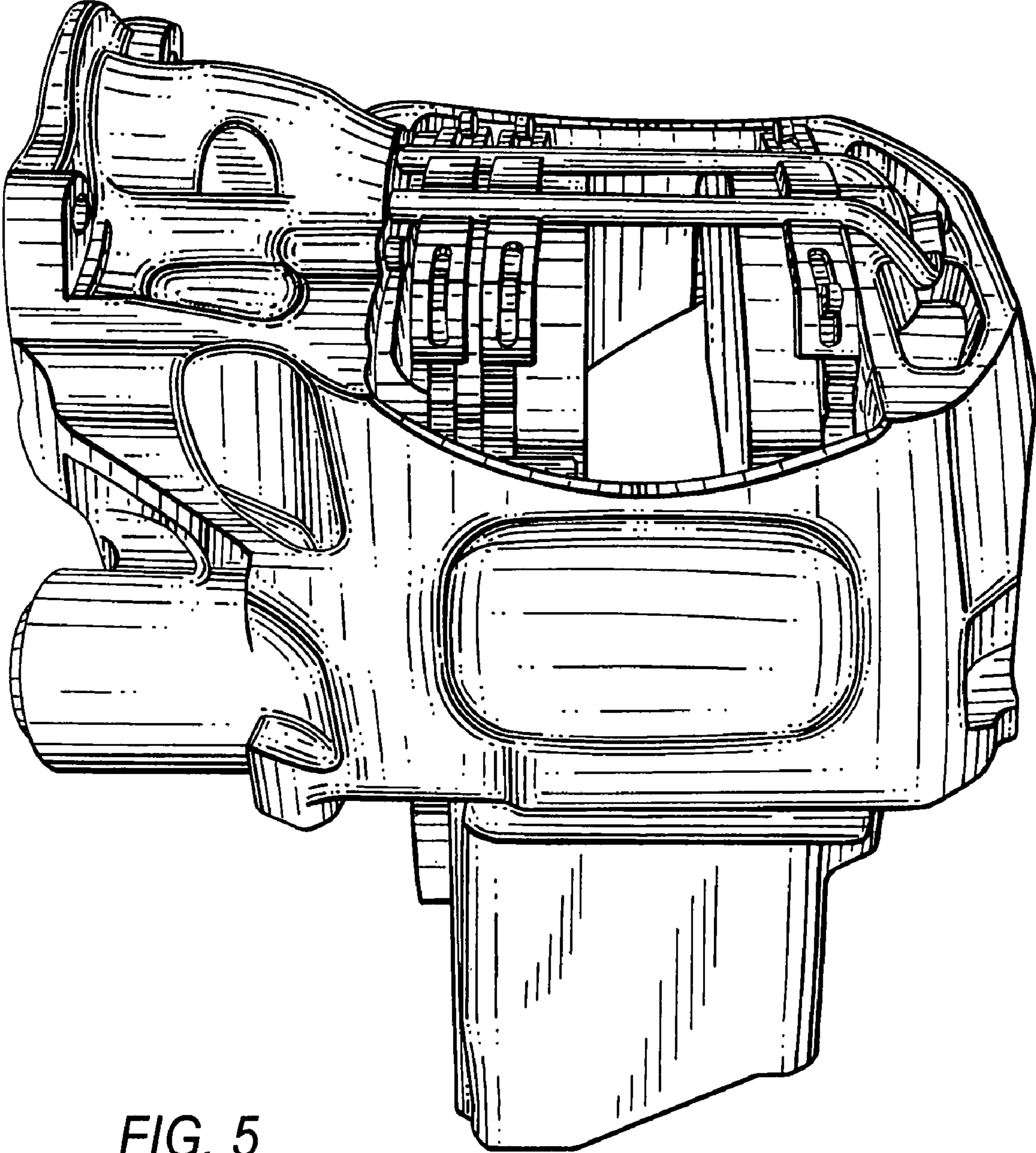


FIG. 5

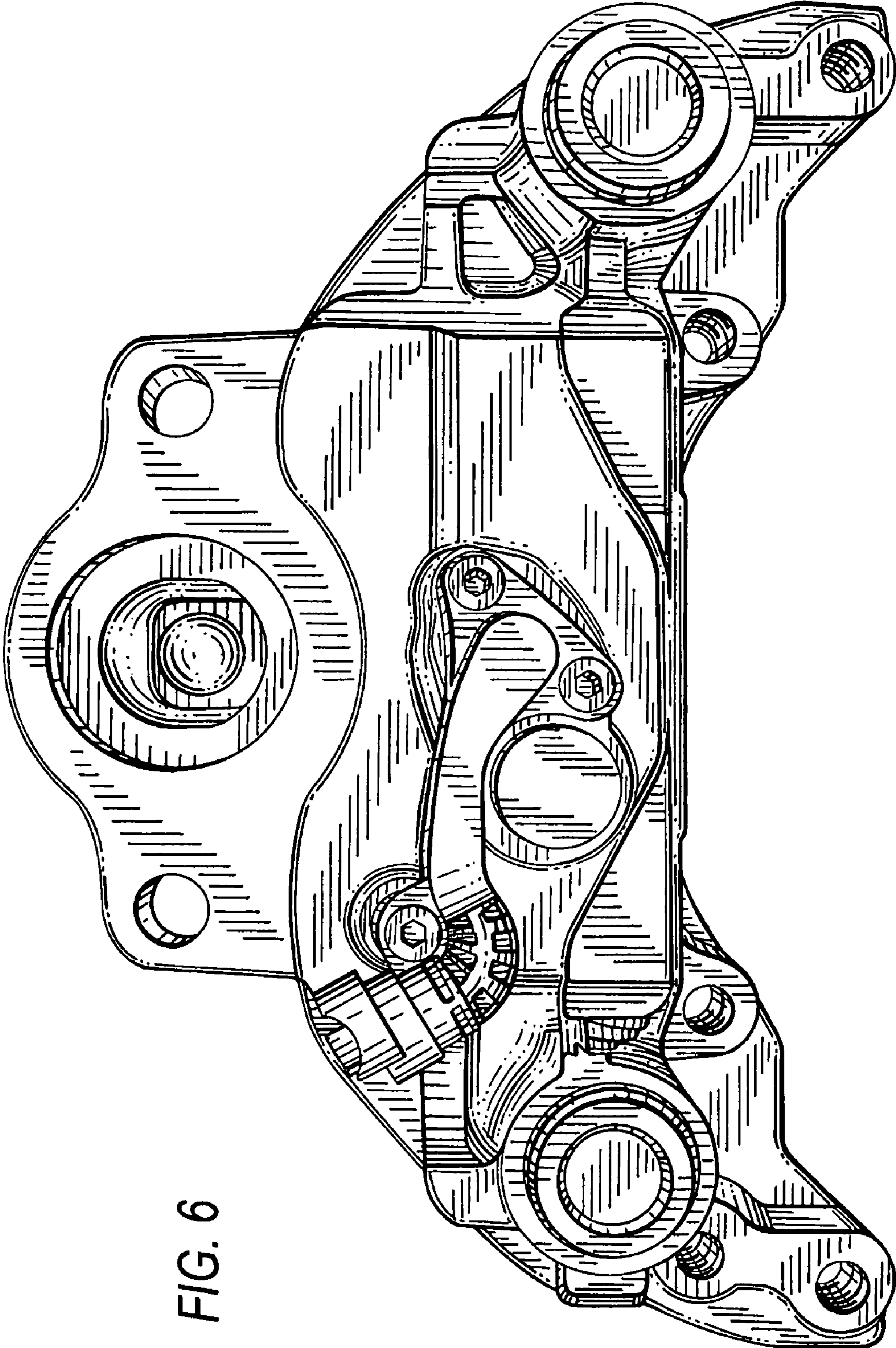


FIG. 6

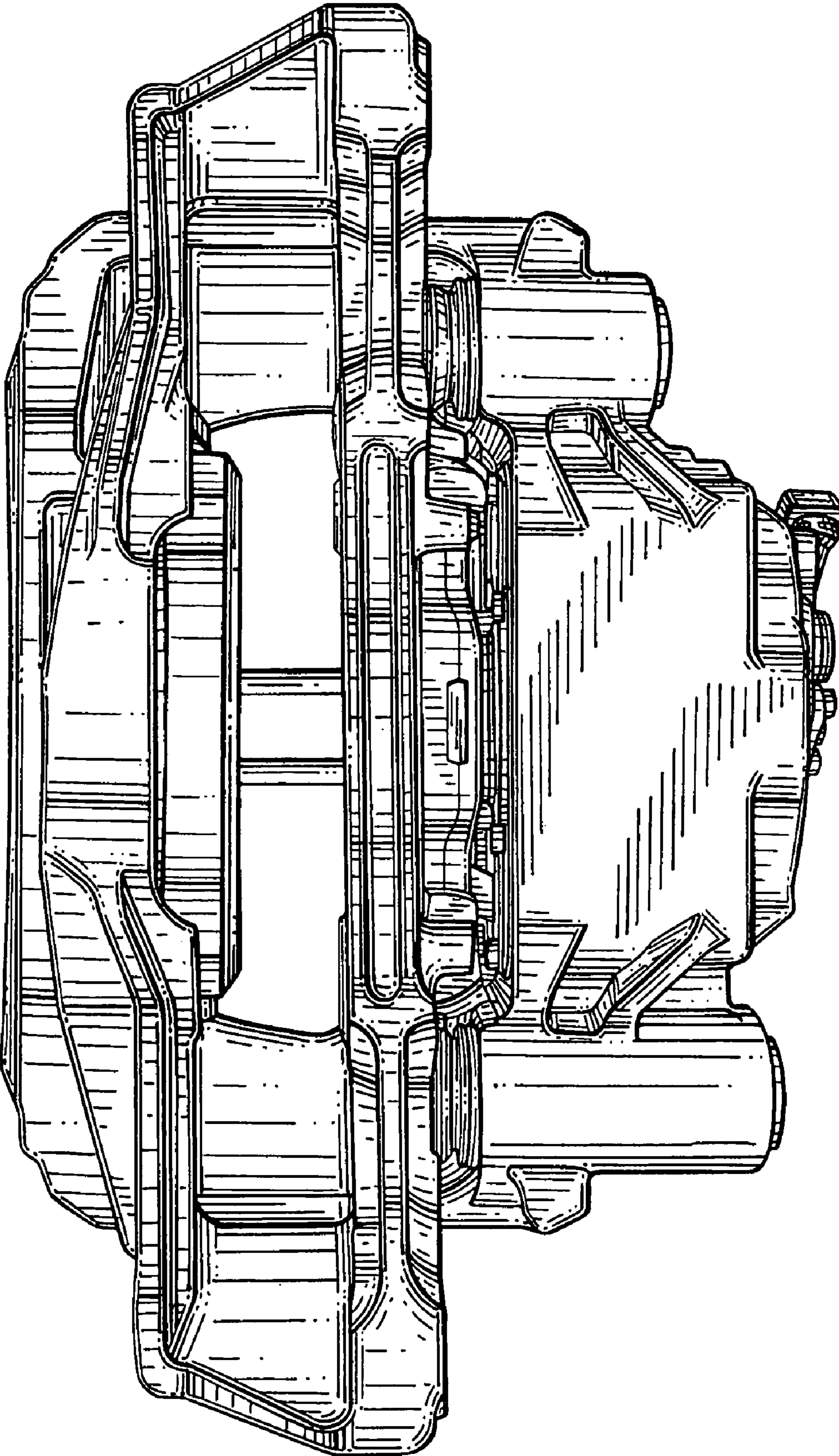


FIG. 7

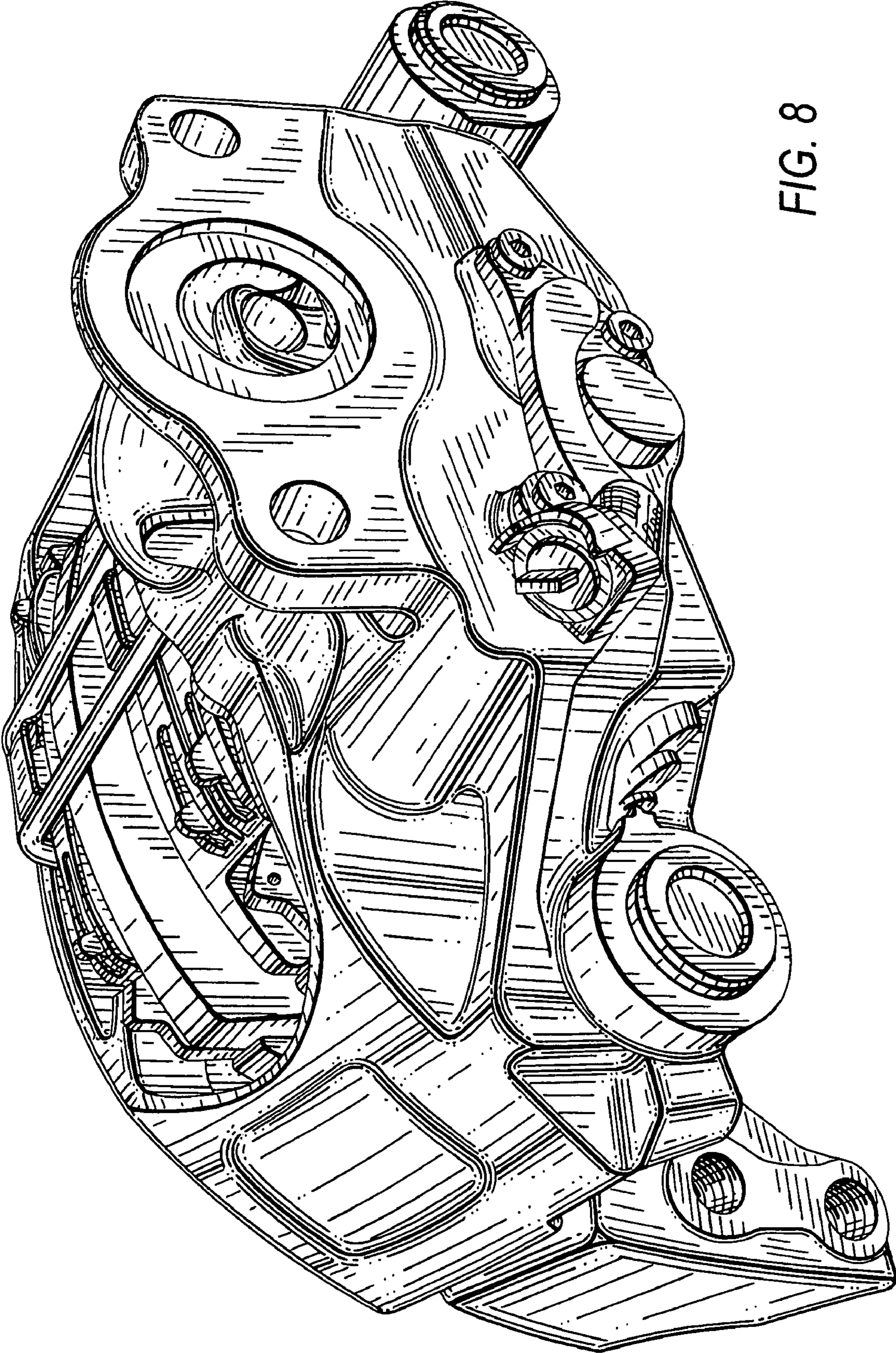


FIG. 8