



US00D600605S

(12) **United States Design Patent**
Lamm

(10) **Patent No.:** **US D600,605 S**

(45) **Date of Patent:** **** Sep. 22, 2009**

(54) **VEHICLE REAR BUMPER COVER**

(75) **Inventor:** **Stefan Lamm, Köln (DE)**

(73) **Assignee:** **Ford Global Technologies, LLC,**
Dearborn, MI (US)

(**) **Term:** **14 Years**

(21) **Appl. No.:** **29/330,156**

(22) **Filed:** **Dec. 30, 2008**

(51) **LOC (9) Cl.** **12-16**

(52) **U.S. Cl.** **D12/169**

(58) **Field of Classification Search** D12/169,
D12/196, 90-92, 86; 293/102, 113, 115,
293/117, 120; 296/180.1, 180.2

See application file for complete search history.

(56) **References Cited**

U.S. PATENT DOCUMENTS

D561,070 S *	2/2008	Gresens et al.	D12/169
D561,071 S *	2/2008	Golden et al.	D12/169
D566,017 S *	4/2008	Pfeiffer	D12/169
D580,316 S *	11/2008	Gueler et al.	D12/169
D585,002 S *	1/2009	Tamura	D12/169
D585,343 S *	1/2009	Kubota et al.	D12/169
D592,570 S *	5/2009	Lamm	D12/169

* cited by examiner

Primary Examiner—Melody N Brown

(74) *Attorney, Agent, or Firm*—Damian Porcari

(57) **CLAIM**

The ornamental design for a vehicle rear bumper cover, as shown and described.

DESCRIPTION

FIG. 1 is a front elevational view of a vehicle rear bumper cover showing my new design;

FIG. 2 is an enlarged right side elevational view thereof;

FIG. 3 is a an enlarged left side elevational view thereof;

FIG. 4 is a top plan view thereof;

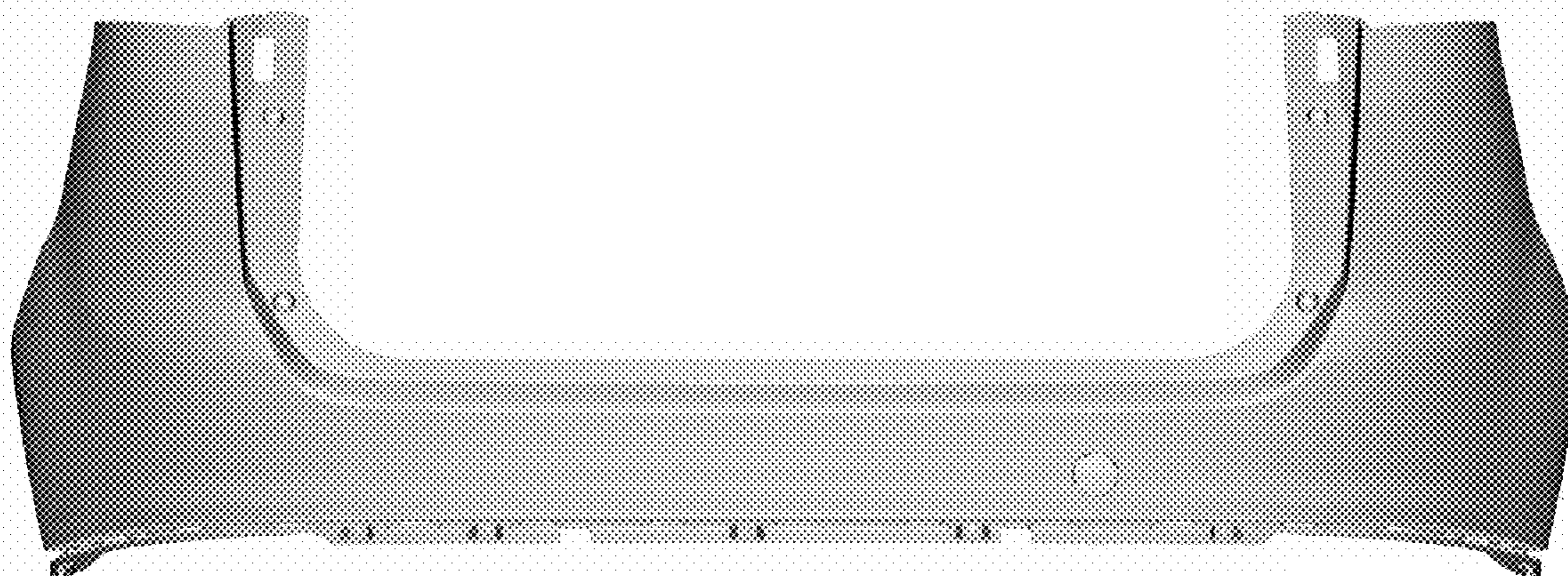
FIG. 5 is a bottom plan view thereof;

FIG. 6 is a rear elevational view thereof; and,

FIG. 7 is a top, front and left side perspective view of the vehicle rear bumper cover.

The vehicle rear bumper cover is styled independently of adjacent vehicle panels. To the extent that any feature lines are illustrated, they are intended to illustrate the crest and valley of the feature and are not necessarily sharp bends in the part. Shading is used to illustrate the curvature of the part and not color. Areas shown in or sounded by broken lines are not claimed. The surface normally visible when the Vehicle Rear Bumper Cover is attached to a vehicle is called the "Class A" surface is claimed. The surface not normally visible when the Vehicle Rear Bumper Cover is attached to a vehicle is called the "Class B" surface and is not claimed. Any functional features of the Vehicle Rear Bumper Cover are not claimed. Views are orthogonal projections unless otherwise noted. The various views are not necessarily to scale in order to better illustrate the design. The drawings were generated using Computer Aided Design tools. Highlights and shading were added to the drawings to better illustrate the three-dimensional features of the part.

1 Claim, 7 Drawing Sheets



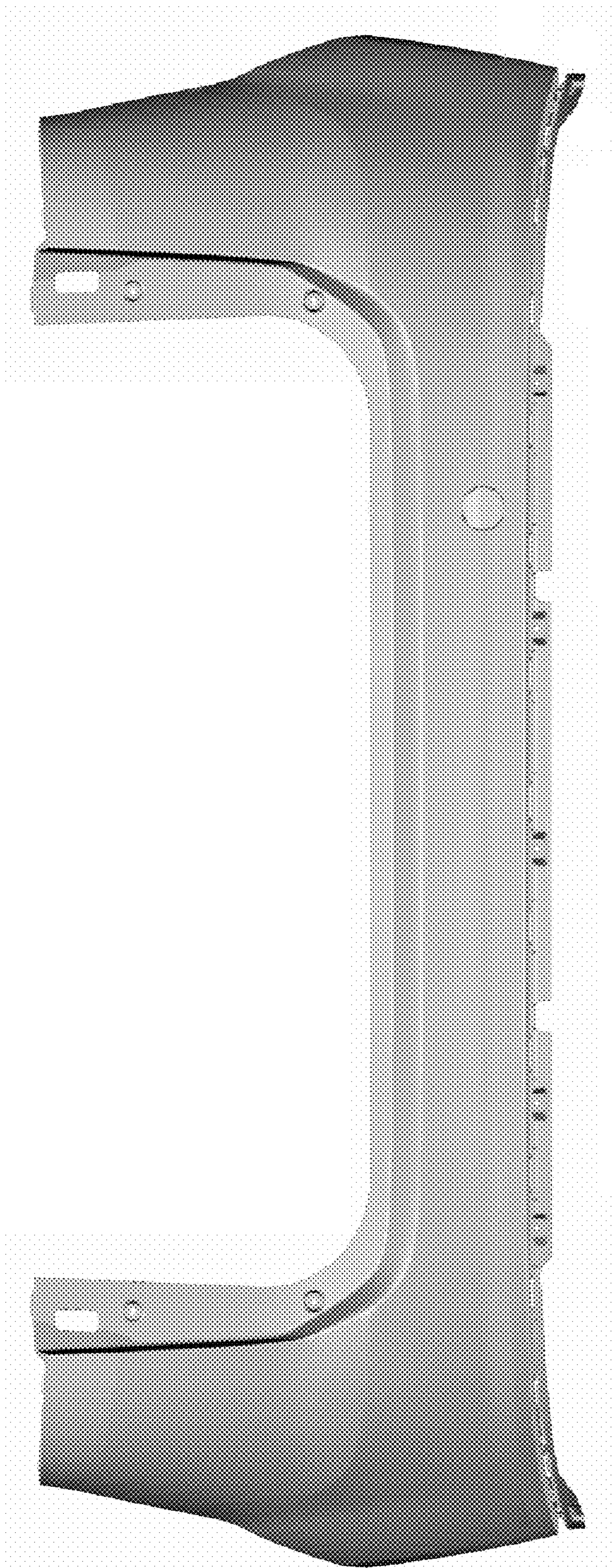


Figure 1

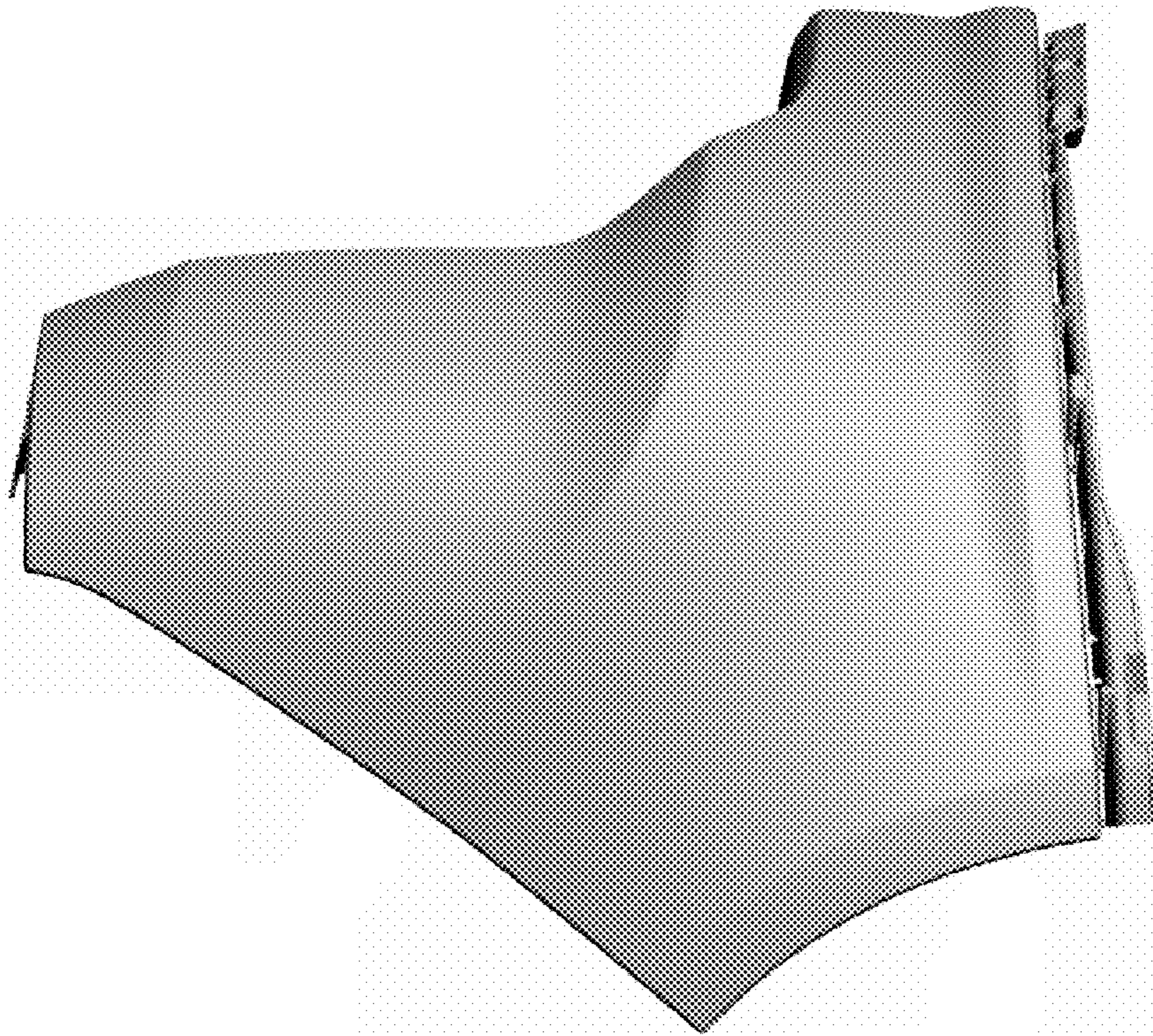


Figure 2

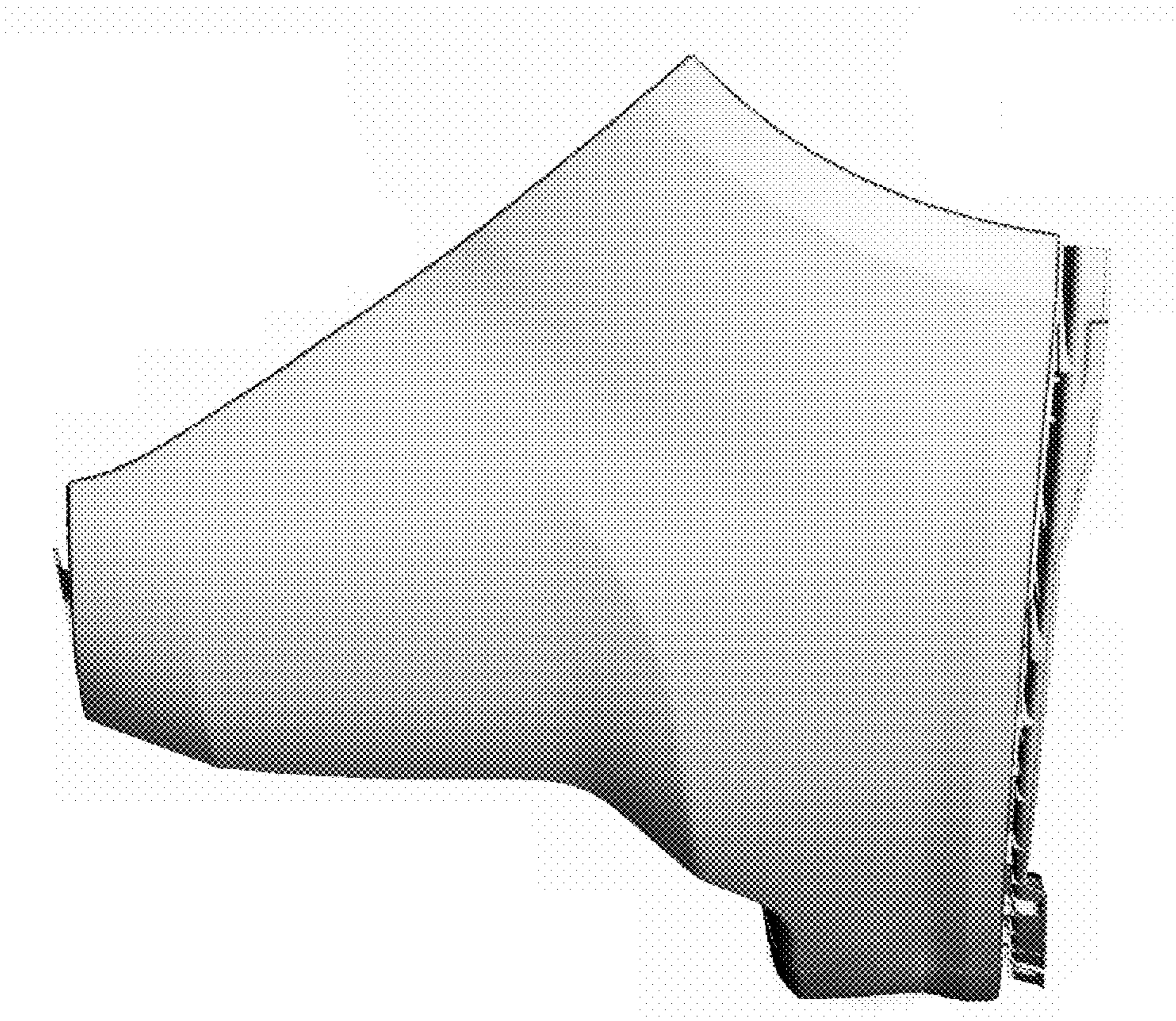


Figure 3



Figure 4

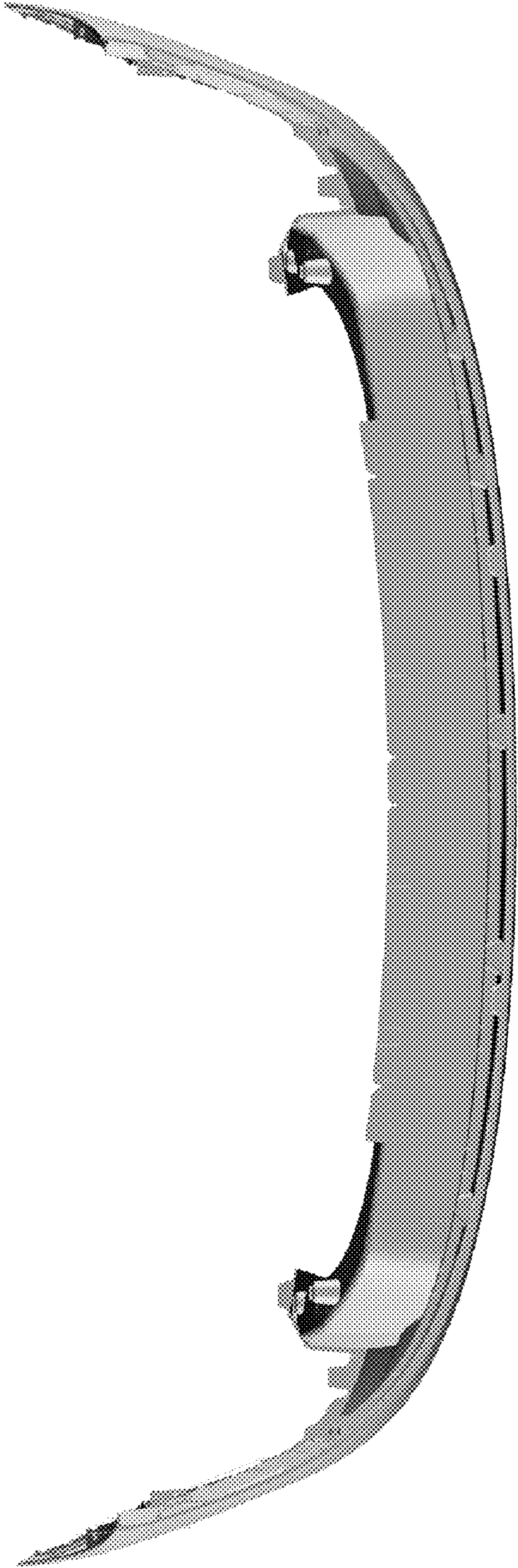


Figure 5

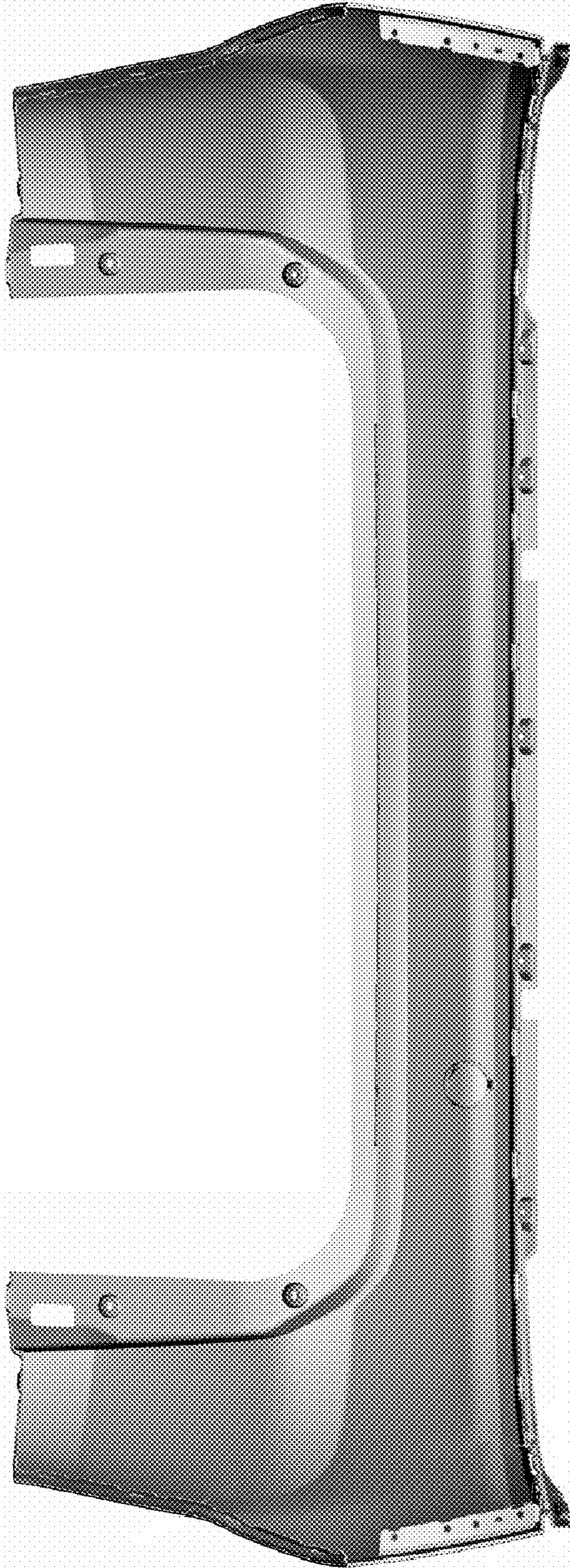


Figure 6



Figure 7