



US00D600601S

(12) **United States Design Patent**  
**Jung et al.**

(10) **Patent No.:** **US D600,601 S**

(45) **Date of Patent:** **\*\* Sep. 22, 2009**

(54) **PORTION OF A VEHICLE EXTERIOR**

D579,382 S \* 10/2008 Arnone et al. .... D12/98  
D588,501 S \* 3/2009 Krugger et al. .... D12/98  
D589,407 S \* 3/2009 Krugger et al. .... D12/98

(75) Inventors: **Chi Jung**, Torrance, CA (US);  
**Guillermo Gonzalez**, Lawndale, CA  
(US)

\* cited by examiner

(73) Assignee: **Honda Motor Co., Ltd.**, Tokyo (JP)

*Primary Examiner*—Melody N Brown

(\*\*) Term: **14 Years**

(74) *Attorney, Agent, or Firm*—Plumsea Law Group, LLC;  
Mark E. Duell

(21) Appl. No.: **29/326,546**

(57) **CLAIM**

(22) Filed: **Oct. 20, 2008**

The ornamental design for a portion of a vehicle exterior, as shown and described.

(51) **LOC (9) Cl.** ..... **12-16**

**DESCRIPTION**

(52) **U.S. Cl.** ..... **D12/164; D12/196; D12/98**

FIG. 1 is a perspective view of a portion of a vehicle exterior showing our new design;

(58) **Field of Classification Search** ..... D12/164,  
D12/196, 90-92, 86, 98; 296/181.1, 181.5

FIG. 2 is a side elevational view, the opposite side elevational view being a mirror image thereof; and,

See application file for complete search history.

FIG. 3 is a front elevational view thereof.

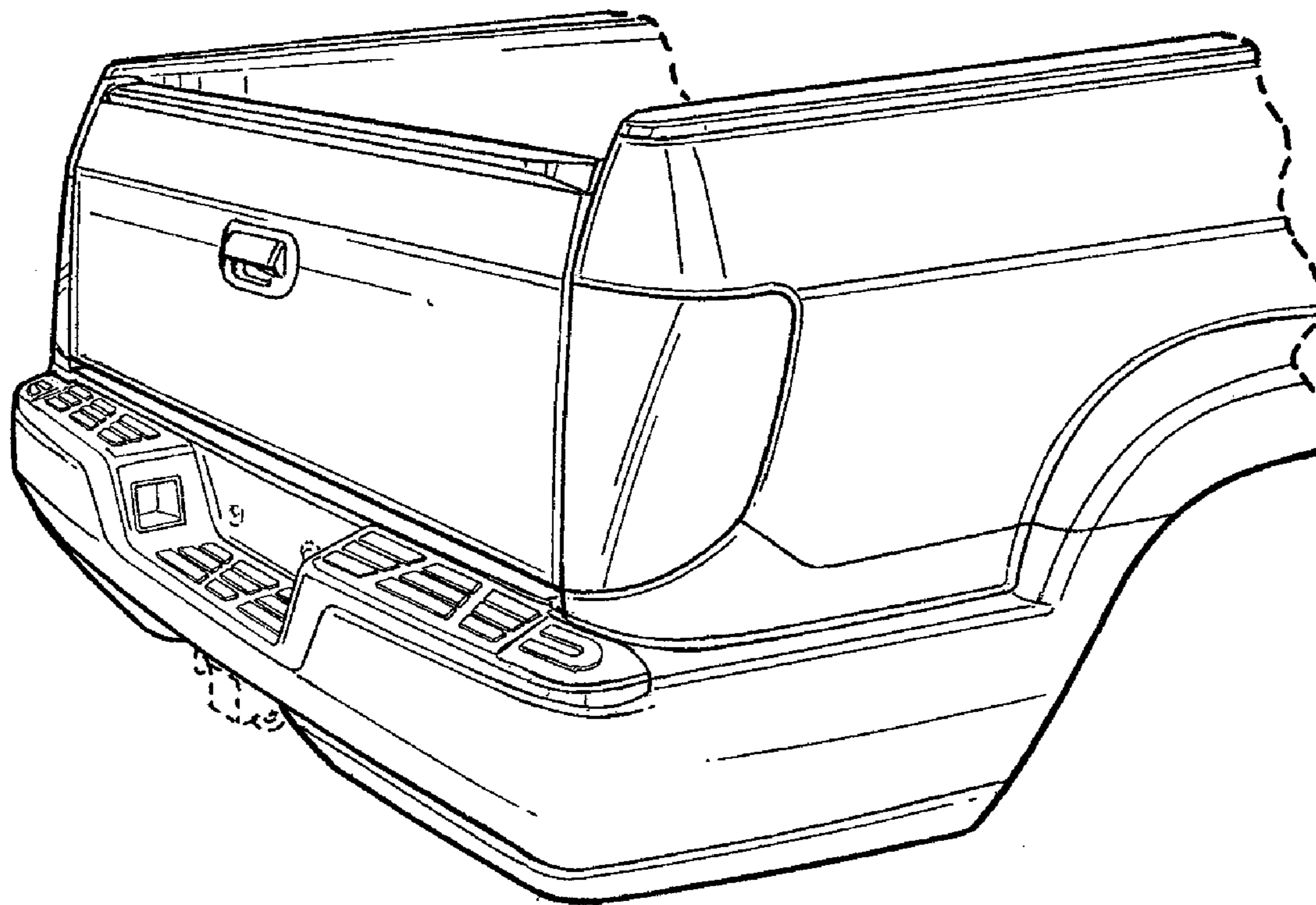
(56) **References Cited**

The heavy broken line depicts a boundary of the claimed design, and the broken line showings of the rectangles in the center step depict environmental subject matter and form no part of the claimed design.

**U.S. PATENT DOCUMENTS**

D494,105 S 8/2004 Hall et al.  
D495,626 S \* 9/2004 Depeyster et al. .... D12/98  
D508,440 S 8/2005 Hall et al.  
D514,997 S 2/2006 Hall et al.  
D537,385 S \* 2/2007 Shimoguchi et al. .... D12/98

**1 Claim, 2 Drawing Sheets**



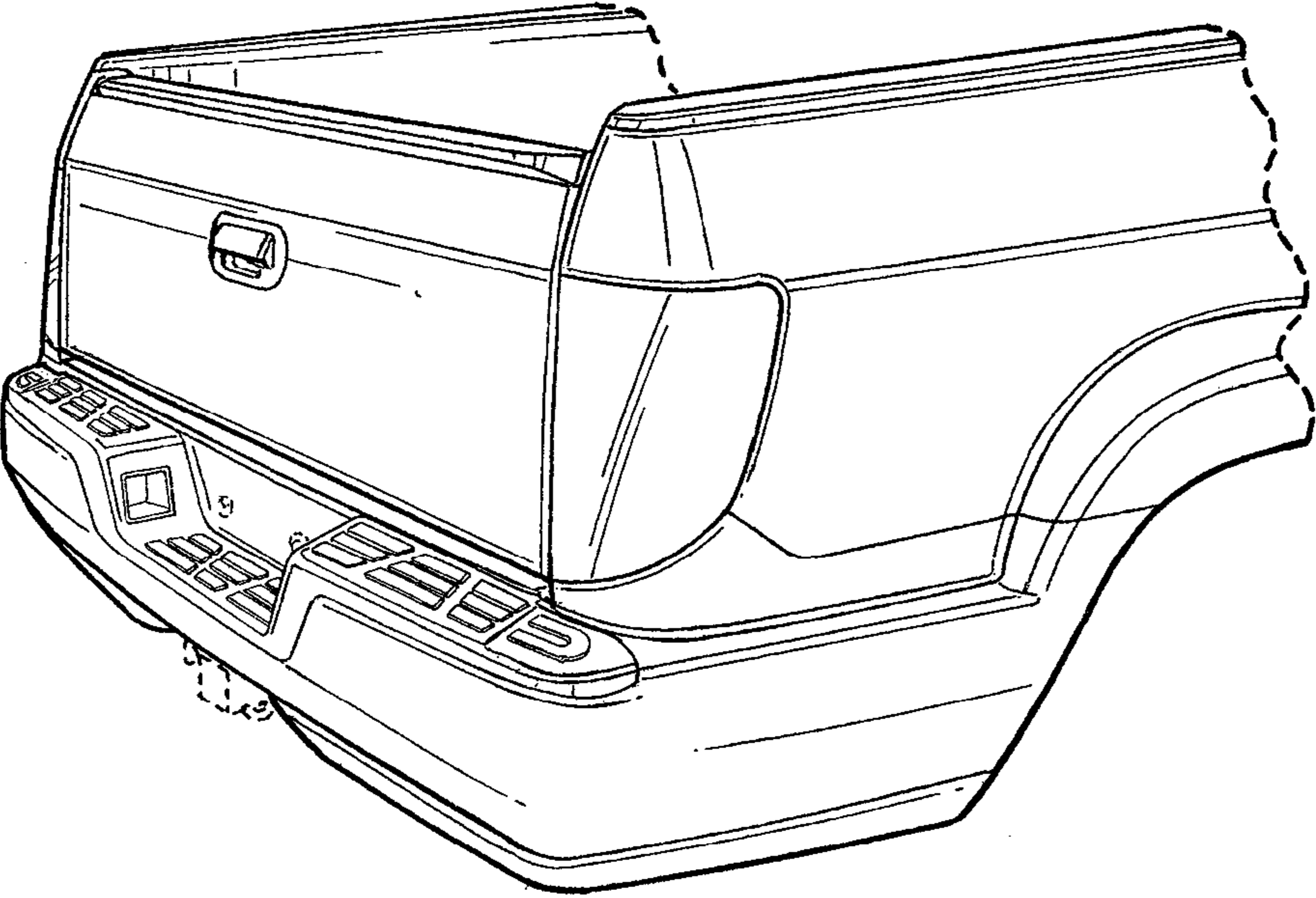


FIG. 1

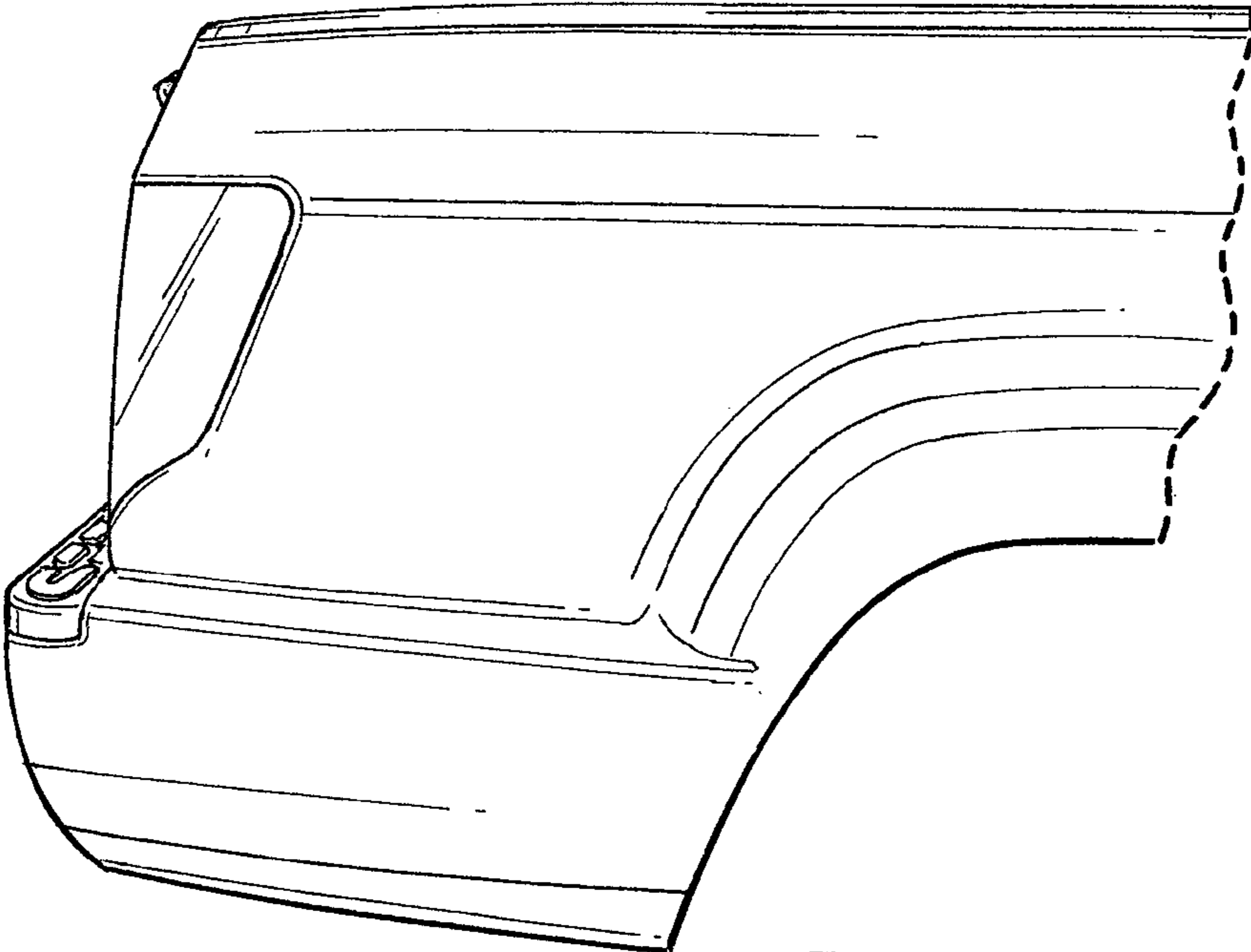


FIG. 2

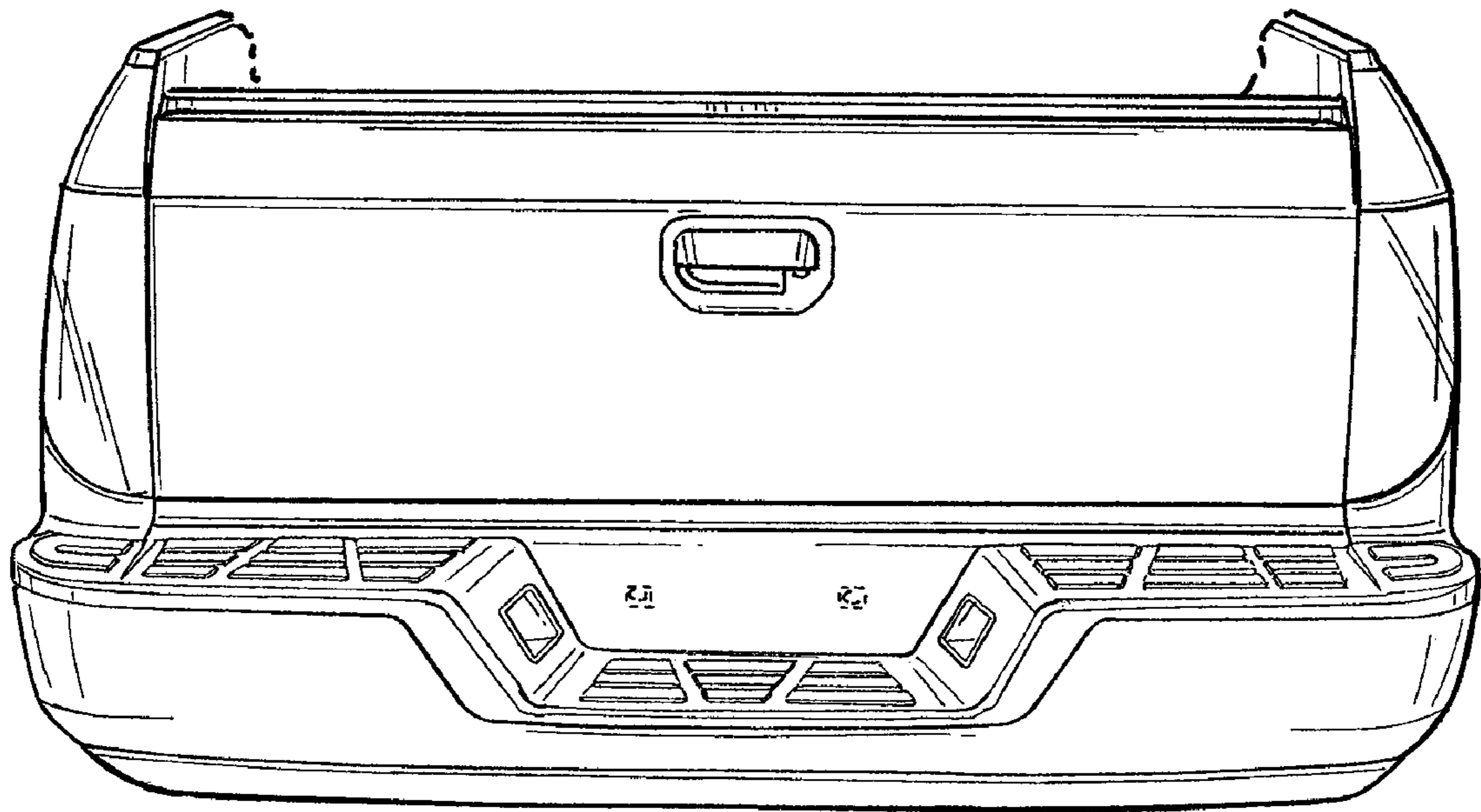


FIG. 3