

US00D600599S

(12) **United States Design Patent**  
**Watanabe et al.**

(10) **Patent No.:** **US D600,599 S**  
(45) **Date of Patent:** **\*\* Sep. 22, 2009**

(54) **AIR CLEANER COVER FOR A MOTORCYCLE**

(75) Inventors: **Kenji Watanabe**, Wako (JP); **Daisuke Nagao**, Wako (JP); **Ramon Meneses**, Torrance, CA (US)

(73) Assignee: **Honda Motor Co., Ltd.**, Tokyo (JP)

(\*\*) Term: **14 Years**

(21) Appl. No.: **29/300,274**

(22) Filed: **Mar. 6, 2008**

(51) **LOC (9) Cl.** ..... **12-11**

(52) **U.S. Cl.** ..... **D12/126**

(58) **Field of Classification Search** ..... D12/110,  
D12/114, 126; 180/219; 280/288.4, 304.3,  
280/288.1-288.3; D15/3, 5; 123/195 C,  
123/198 E

See application file for complete search history.

(56) **References Cited**

**U.S. PATENT DOCUMENTS**

D422,537 S \* 4/2000 Pink ..... D12/126  
D502,432 S \* 3/2005 Yamaguchi et al. .... D12/126

**OTHER PUBLICATIONS**

JC Whitney™ Motorcycle Accessories and Parts Fall 1998 catalog No. 83J, chrome-plated kill switch cover at bottom of p. 7.\*

\* cited by examiner

*Primary Examiner*—Robin V Webster

*Assistant Examiner*—Linda Brooks

(74) *Attorney, Agent, or Firm*—Birch, Stewart, Kolasch & Birch, LLP

(57) **CLAIM**

What is claimed is; the ornamental design for, an air cleaner cover for a motorcycle, as shown and described

**DESCRIPTION**

FIG. 1 is a front perspective view of an air cleaner cover for a motorcycle, showing our new design;

FIG. 2 is a rear perspective view thereof;

FIG. 3 is a front elevation view thereof;

FIG. 4 is a rear elevation view thereof;

FIG. 5 is a top plan view thereof;

FIG. 6 is a bottom plan view thereof;

FIG. 7 is a right side elevation view thereof; and,

FIG. 8 is a left side elevation view thereof.

The portions shown in broken lines form no part of the claimed design.

**1 Claim, 8 Drawing Sheets**

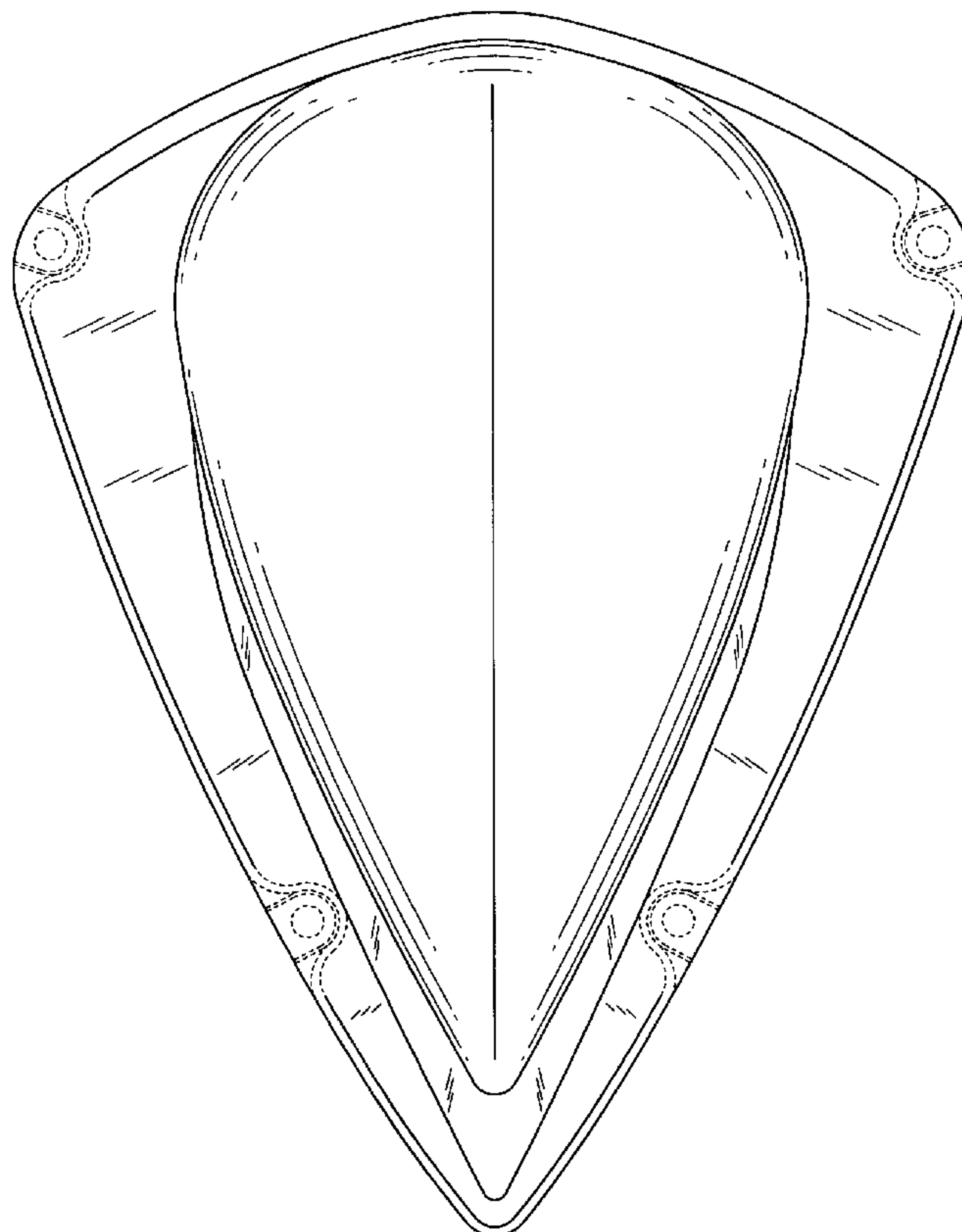


Fig. 1

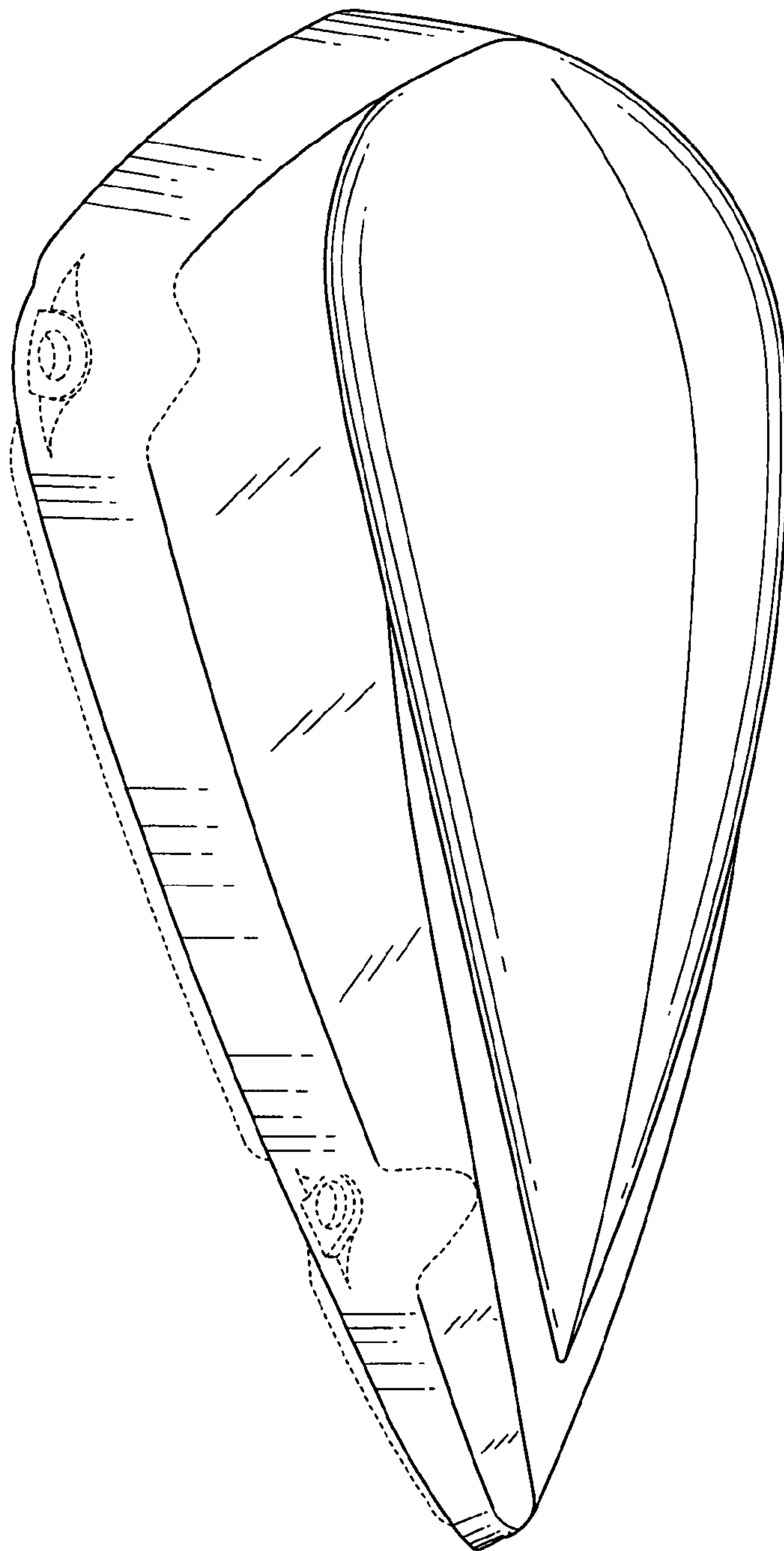


Fig. 2

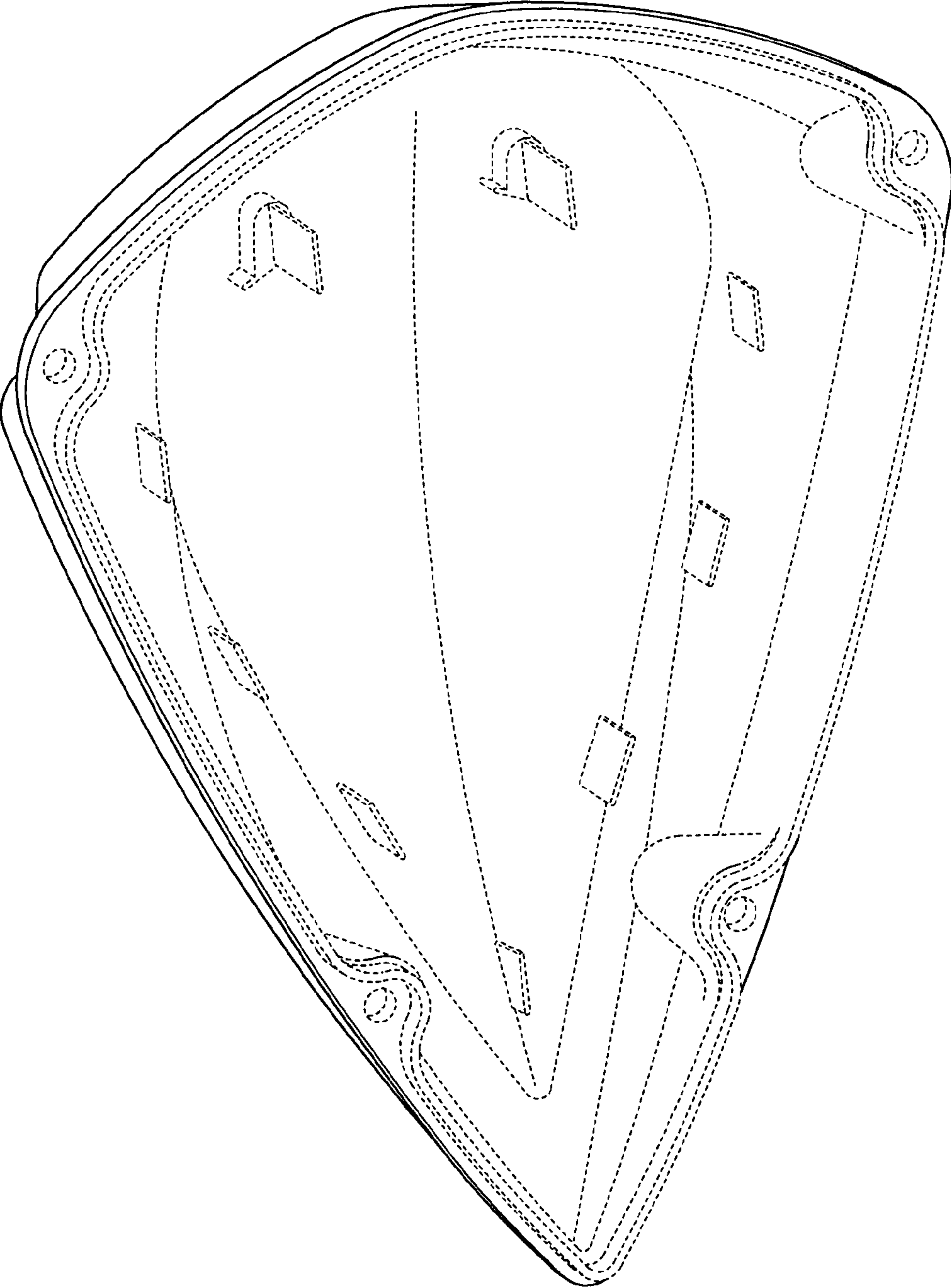


Fig. 3

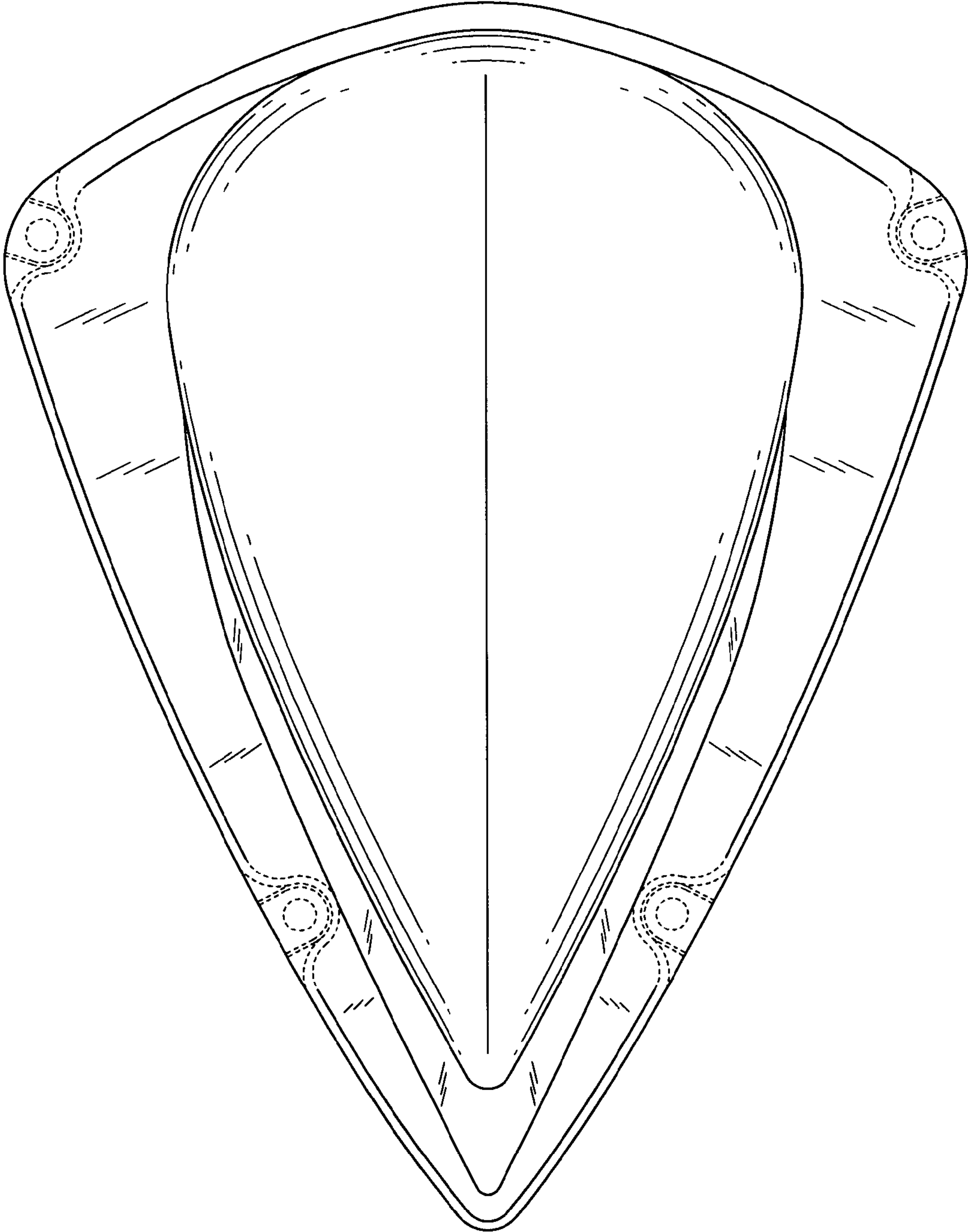


Fig. 4

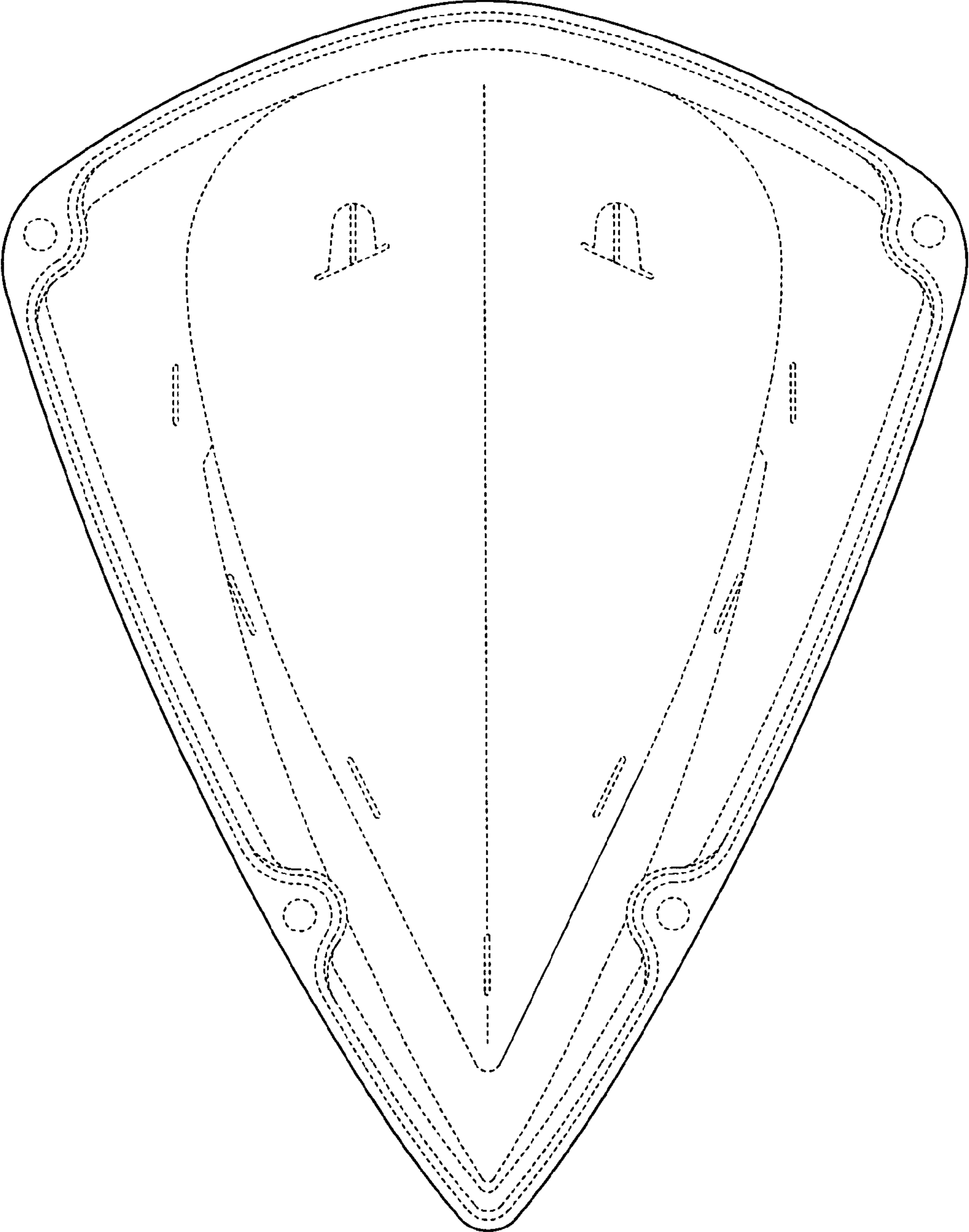




Fig. 5

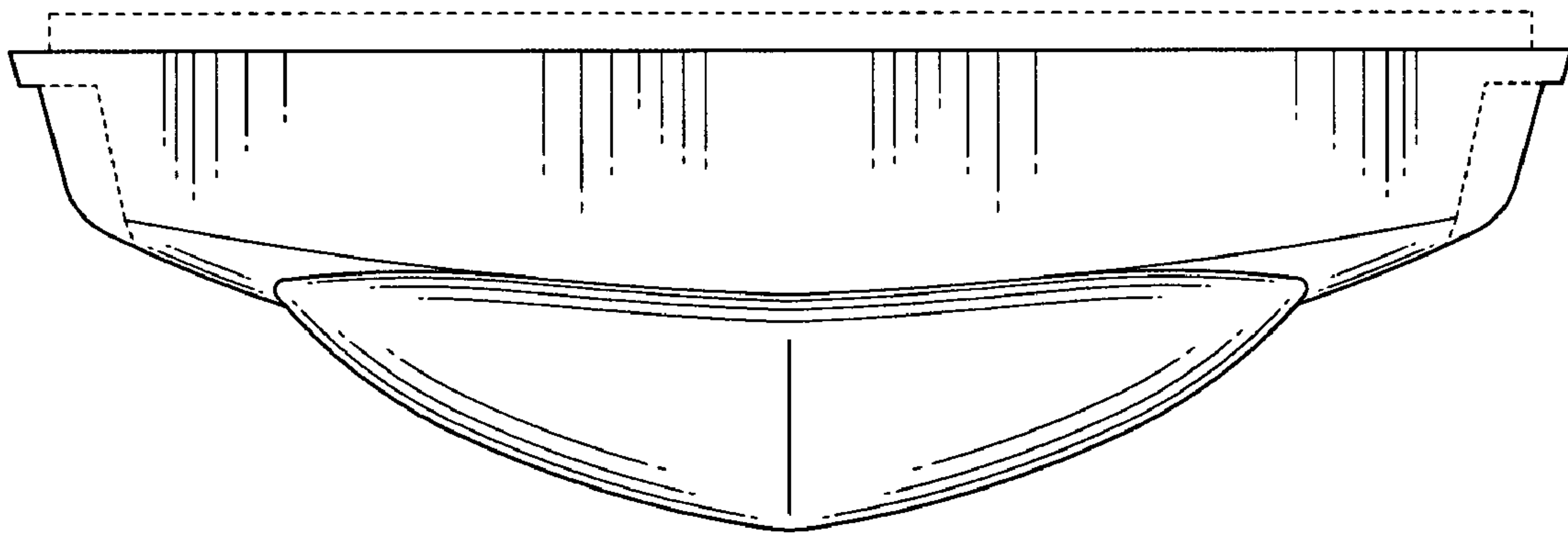


Fig. 6

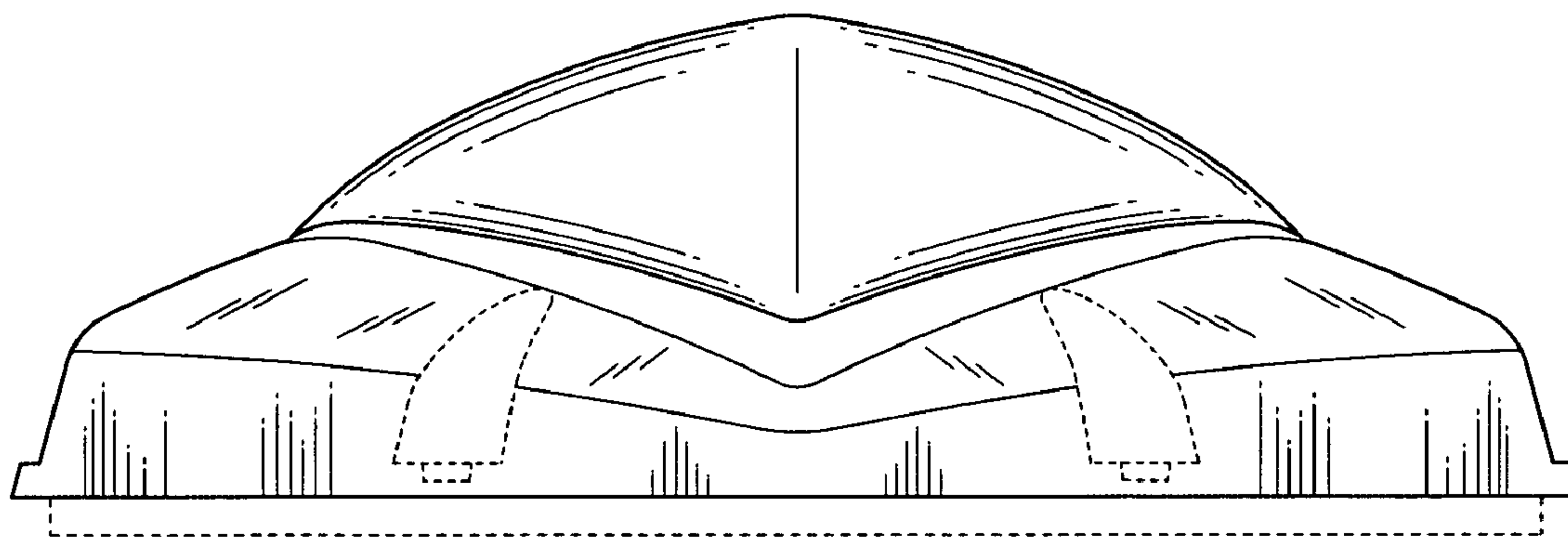


Fig. 7

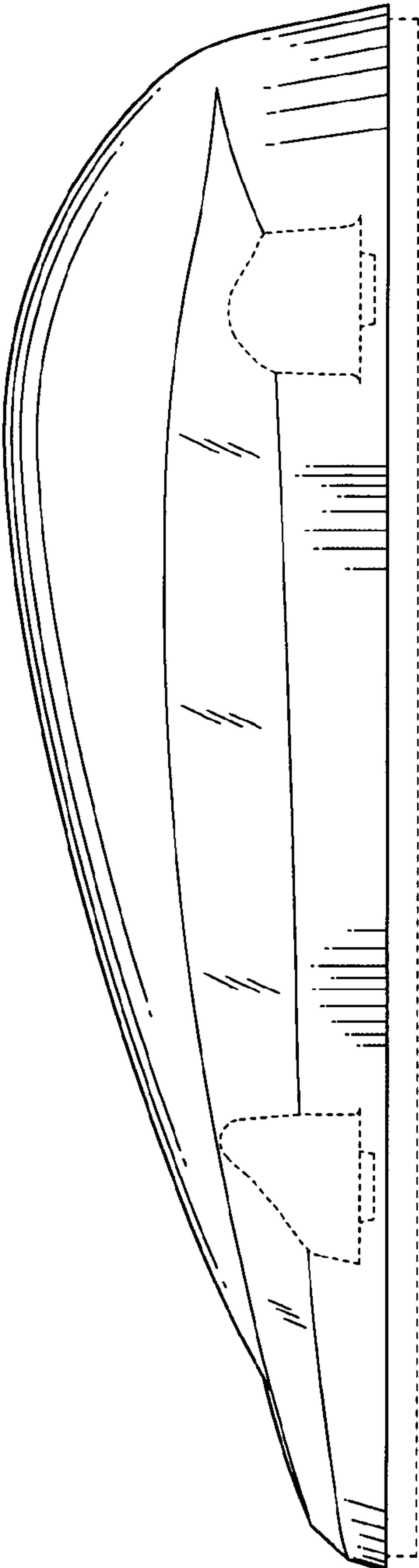




Fig. 8

