



US00D600597S

(12) **United States Design Patent**
Hoffman

(10) **Patent No.:** **US D600,597 S**

(45) **Date of Patent:** **** Sep. 22, 2009**

(54) **AXLE SLIDER BLOCK FOR A MOTORCYCLE**

(76) **Inventor:** **Harry Hoffman**, 990 Riverton Dr., San Carlos, CA (US) 94070

(**) **Term:** **14 Years**

(21) **Appl. No.:** **29/292,379**

(22) **Filed:** **Oct. 10, 2007**

(51) **LOC (9) Cl.** **12-11**

(52) **U.S. Cl.** **D12/114**

(58) **Field of Classification Search** D12/110,
D12/114, 126, 159, 160, 117; 280/288.4,
280/152.1-152.3, 274-279, 284-288, 149.2;
180/219, 24.01, 24.02, 227, 213; 301/110.5,
301/120, 122, 111.01-111.07, 125; 74/607,
74/608; 474/116, 144

See application file for complete search history.

(56) **References Cited**

U.S. PATENT DOCUMENTS

5,240,087	A *	8/1993	Parker	180/231
5,546,665	A *	8/1996	Jackmauh	474/136
D456,750	S *	5/2002	McWilliams et al.	D12/114
D498,179	S *	11/2004	James	D12/110
D505,367	S *	5/2005	James	D12/160
7,287,772	B2 *	10/2007	James	280/288

OTHER PUBLICATIONS

Drag Specialties 2004 FatBook, axle adjusters on pp. 929 and 930.*
Rabid Parts [online], Rabid, [retrieved Jan. 9, 2008] Retrieved from
the Internet, URL: http://rabidworks.com/_wsn/page2.html.

* cited by examiner

Primary Examiner—Robin V Webster

Assistant Examiner—Linda Brooks

(74) *Attorney, Agent, or Firm*—Stahl Law Firm

(57) **CLAIM**

I claim the ornamental design for an axle slider block for a motorcycle, as shown and described.

DESCRIPTION

FIG. 1 is a front elevational view of an axle slider block for a motorcycle;

FIG. 2 is a side elevational view thereof;

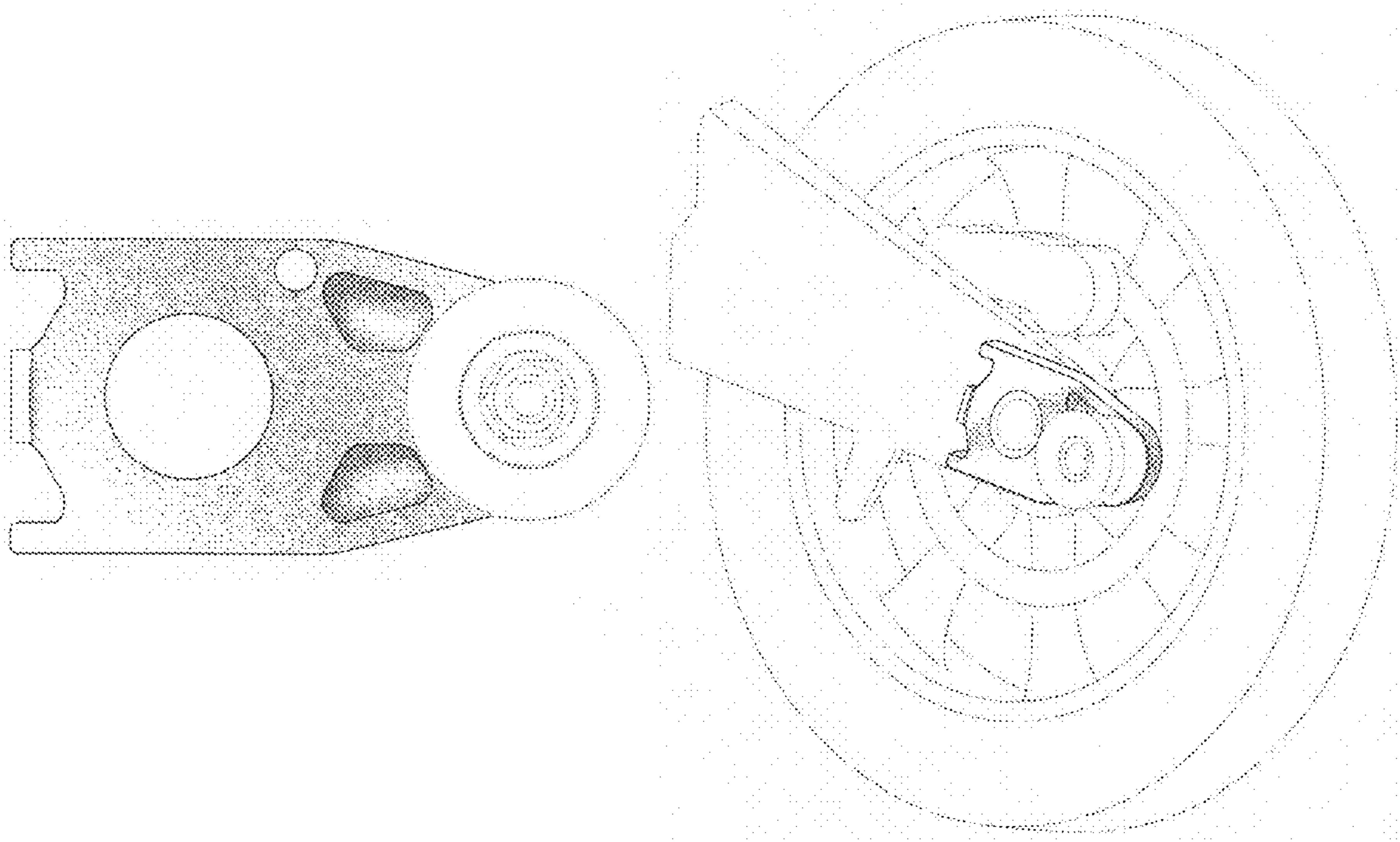
FIG. 3 is an end elevational view thereof;

FIG. 4 is the opposite end elevational view thereof; and,

FIG. 5 is a perspective view thereof on a reduced scale and shown in position of use.

The broken line showing of the environment forms no part of the claimed design. The broken lines immediately adjacent the shaded areas define the boundaries of the claimed design and form no part thereof.

1 Claim, 5 Drawing Sheets



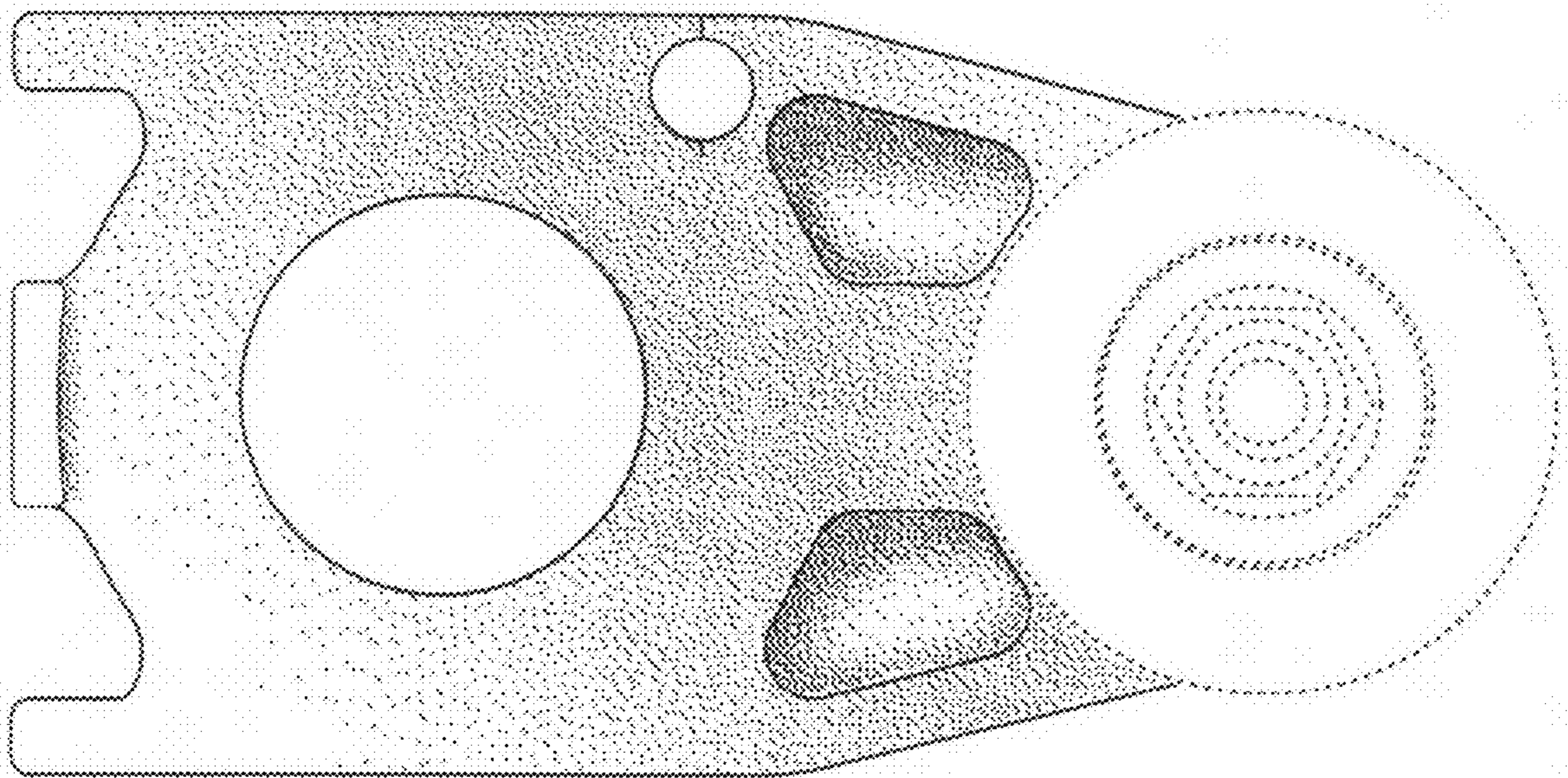


Fig. 1

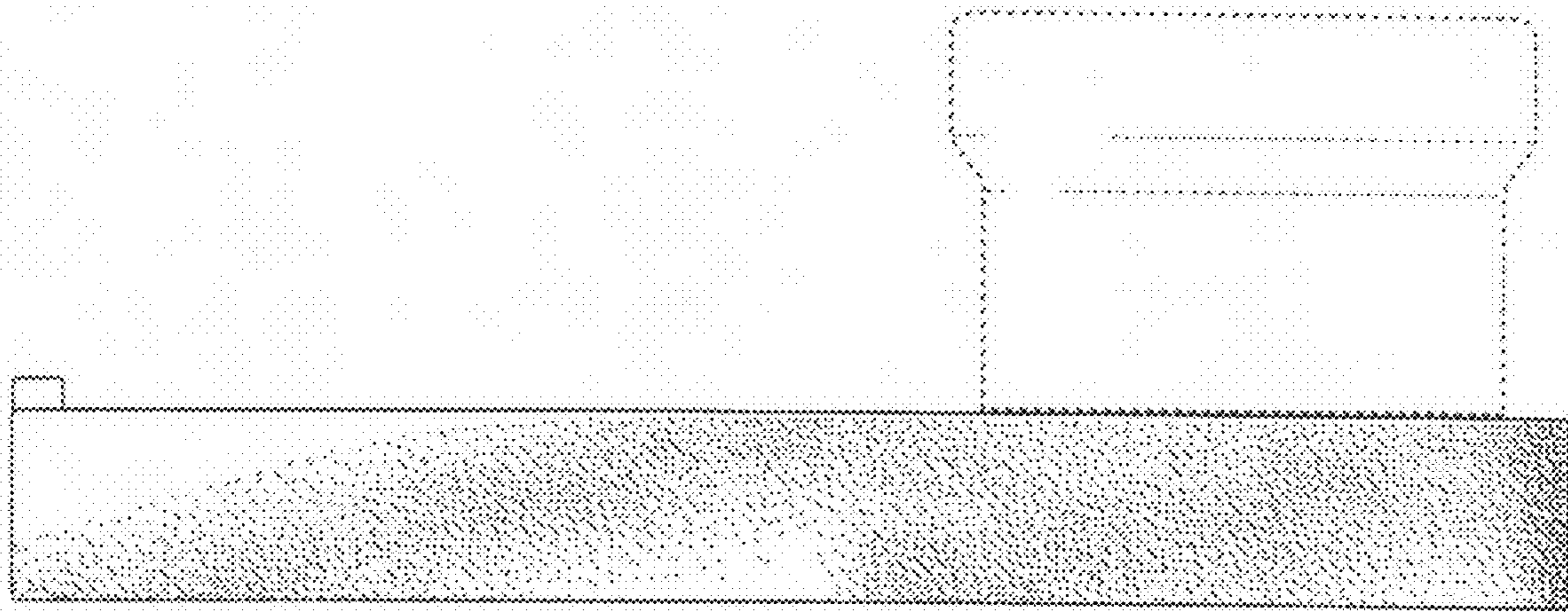


Fig. 2

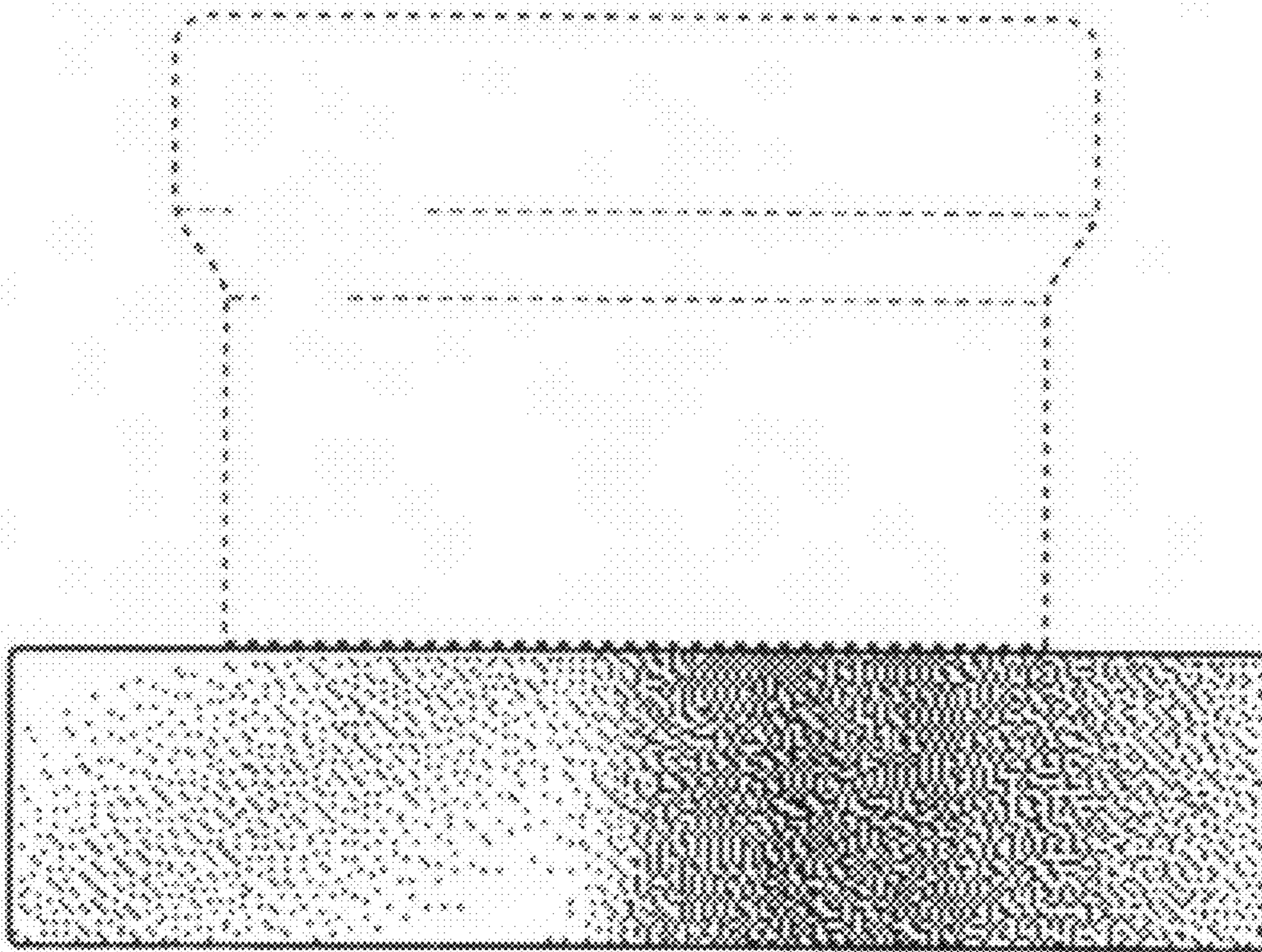


Fig. 3

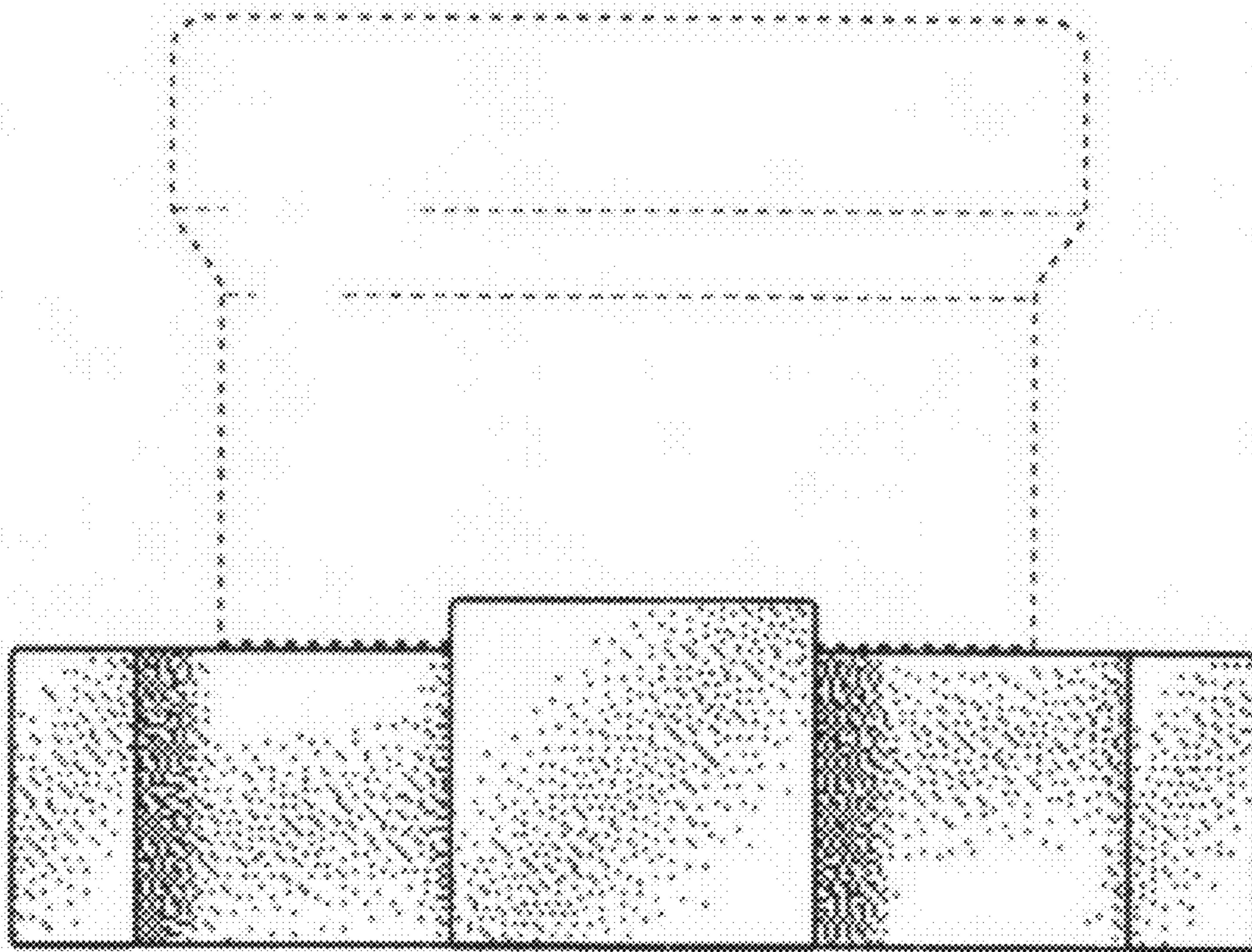


Fig. 4

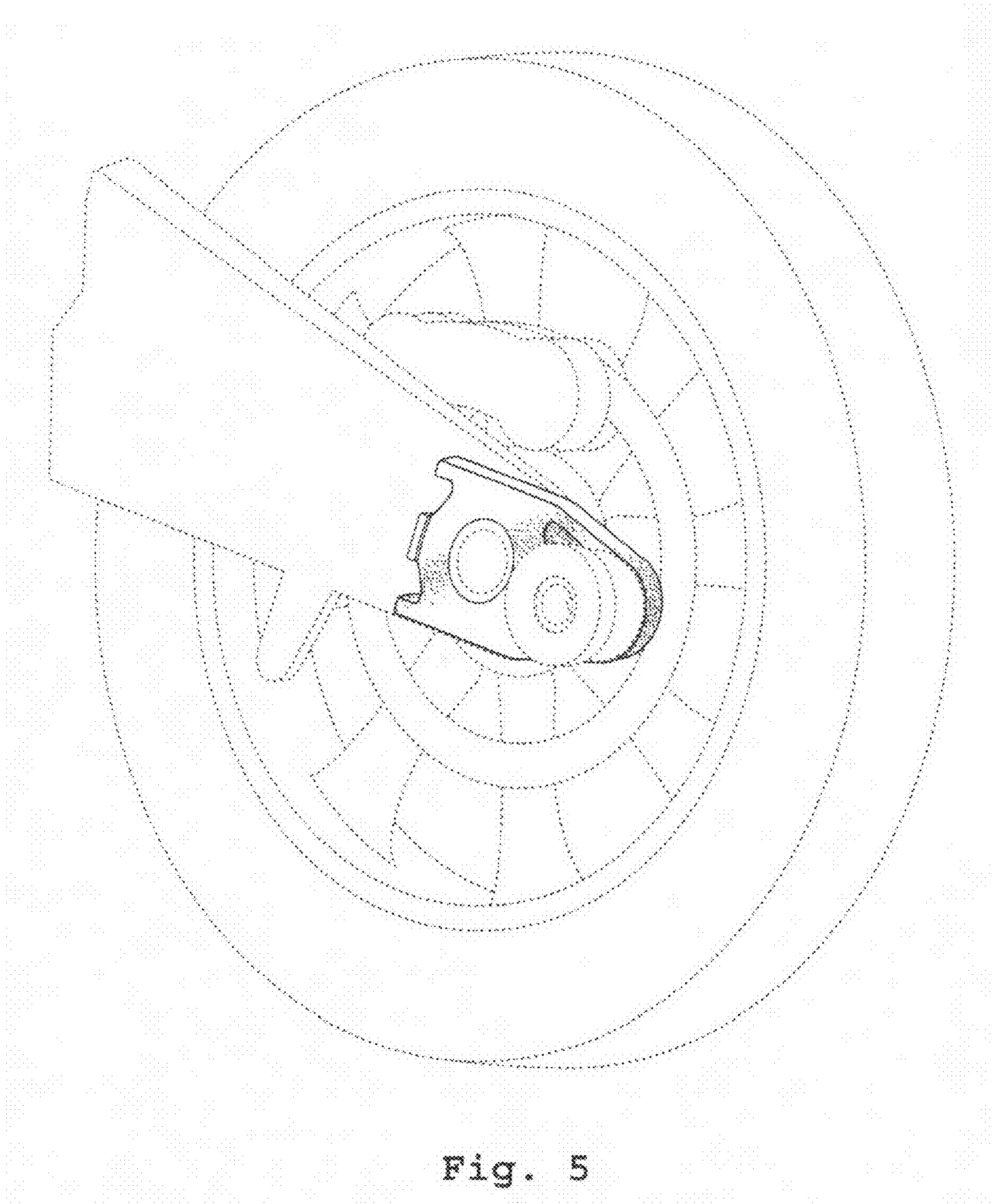


Fig. 5