



US00D600593S

(12) **United States Design Patent**  
**Hanson et al.**

(10) **Patent No.:** **US D600,593 S**  
(45) **Date of Patent:** **\*\* Sep. 22, 2009**

(54) **GOLF CAR**

(75) Inventors: **Donald S. Hanson**, Evans, GA (US);  
**Bradley J. Hanson**, North Augusta, SC  
(US)

(73) Assignee: **Textron Innovations Inc.**, Providence,  
RI (US)

(\*\*) Term: **14 Years**

(21) Appl. No.: **29/275,006**

(22) Filed: **Dec. 8, 2006**

(51) **LOC (9) Cl.** ..... **12-02**

(52) **U.S. Cl.** ..... **D12/16**

(58) **Field of Classification Search** ..... D12/87,  
D12/86, 1, 433, 15, 16, 107, 82, 88, 89, 90,  
D12/91, 92, 93; D15/30; D21/803; 180/233,  
180/908; 280/DIG. 5, 183, 184, 185, 186,  
280/28, 37.7

See application file for complete search history.

(56) **References Cited**

**U.S. PATENT DOCUMENTS**

5,588,690	A *	12/1996	Showalter	.....	296/77.1
6,371,560	B1 *	4/2002	Fulford et al.	.....	297/411.27
D498,436	S	11/2004	Bonner et al.		
D498,704	S	11/2004	Bonner et al.		
D514,981	S *	2/2006	Andrews et al.	.....	D12/16
D541,699	S *	5/2007	Andrews et al.	.....	D12/16
D571,689	S *	6/2008	Andrews et al.	.....	D12/16
7,422,082	B2 *	9/2008	Reffitt	.....	180/90.6
D588,957	S *	3/2009	Tuo	.....	D12/16

D589,397	S *	3/2009	Tuo	.....	D12/16
2007/0251751	A1 *	11/2007	Ball et al.	.....	180/312
2007/0256881	A1 *	11/2007	Ball et al.	.....	180/312
2007/0267241	A1 *	11/2007	Ball	.....	180/312

**FOREIGN PATENT DOCUMENTS**

WO	2004/067327	A2	8/2004
WO	2004/067360	A1	8/2004

\* cited by examiner

*Primary Examiner*—T. Chase Nelson

*Assistant Examiner*—Ania K Dworzecka

(74) *Attorney, Agent, or Firm*—Harness, Dickey & Pierce,  
P.L.C.

(57) **CLAIM**

The ornamental design for a golf car, as shown and described.

**DESCRIPTION**

FIG. 1 is a front perspective view of a golf car showing our new design;

FIG. 2 is a front elevation view thereof;

FIG. 3 is a rear elevation view thereof;

FIG. 4 is a right side elevation view thereof;

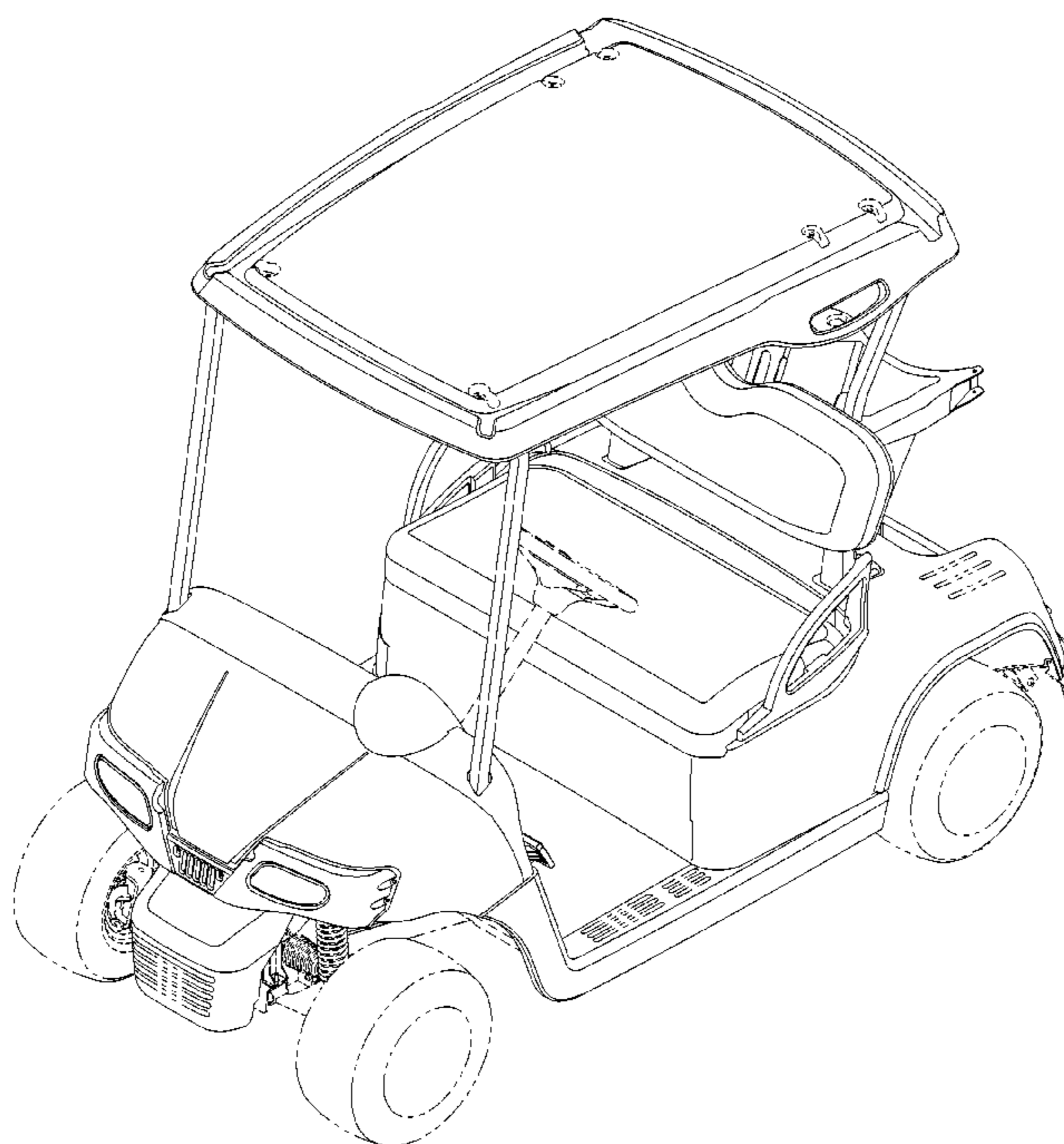
FIG. 5 is a left side elevation view thereof; and,

FIG. 6 is a top plan view thereof.

The lines shown in phantom are for illustrative purposes only and do not form part of the invention.

The broken lines depict portions of the golf car that form no part of the claimed design.

**1 Claim, 6 Drawing Sheets**



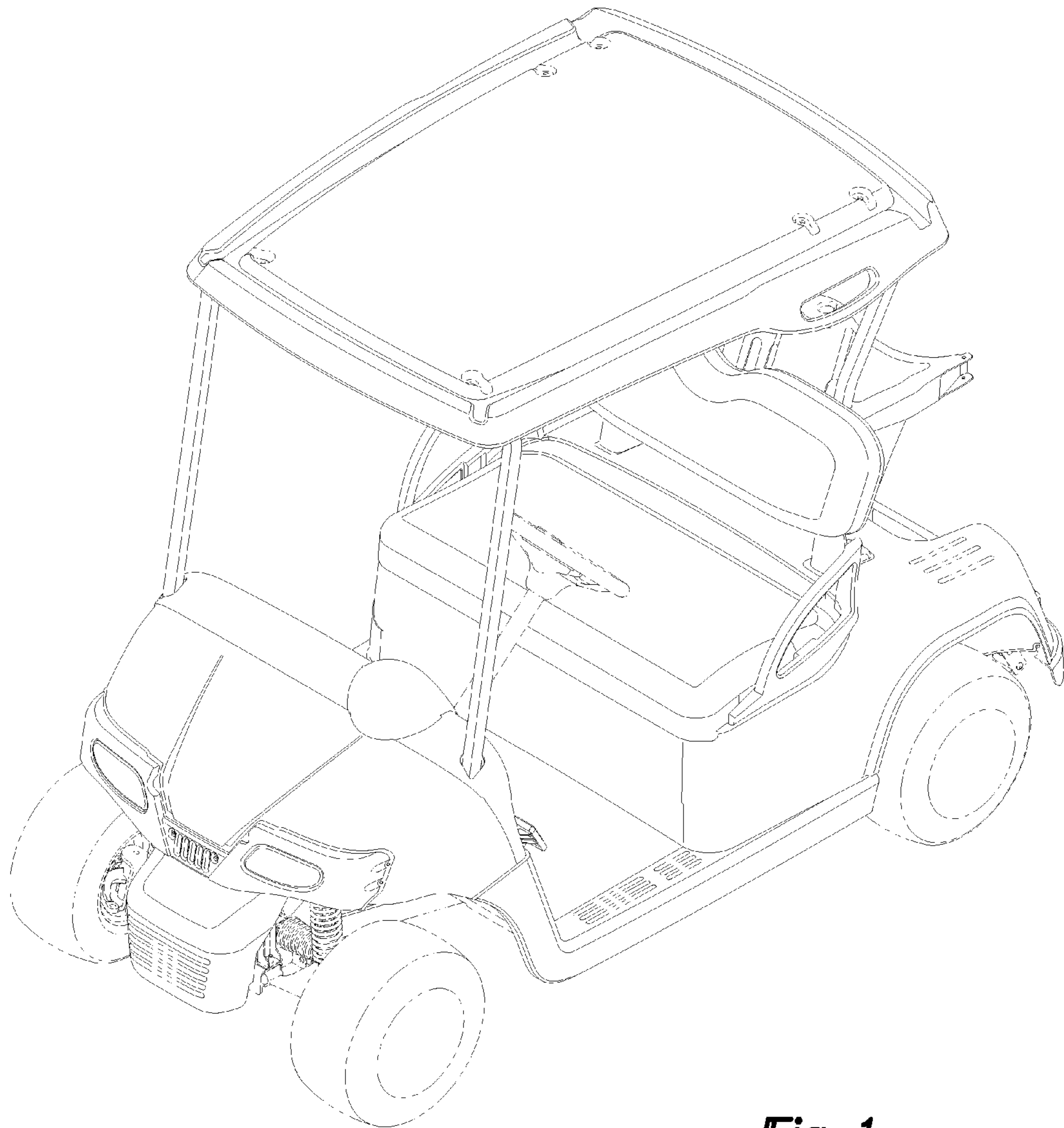


Fig-1

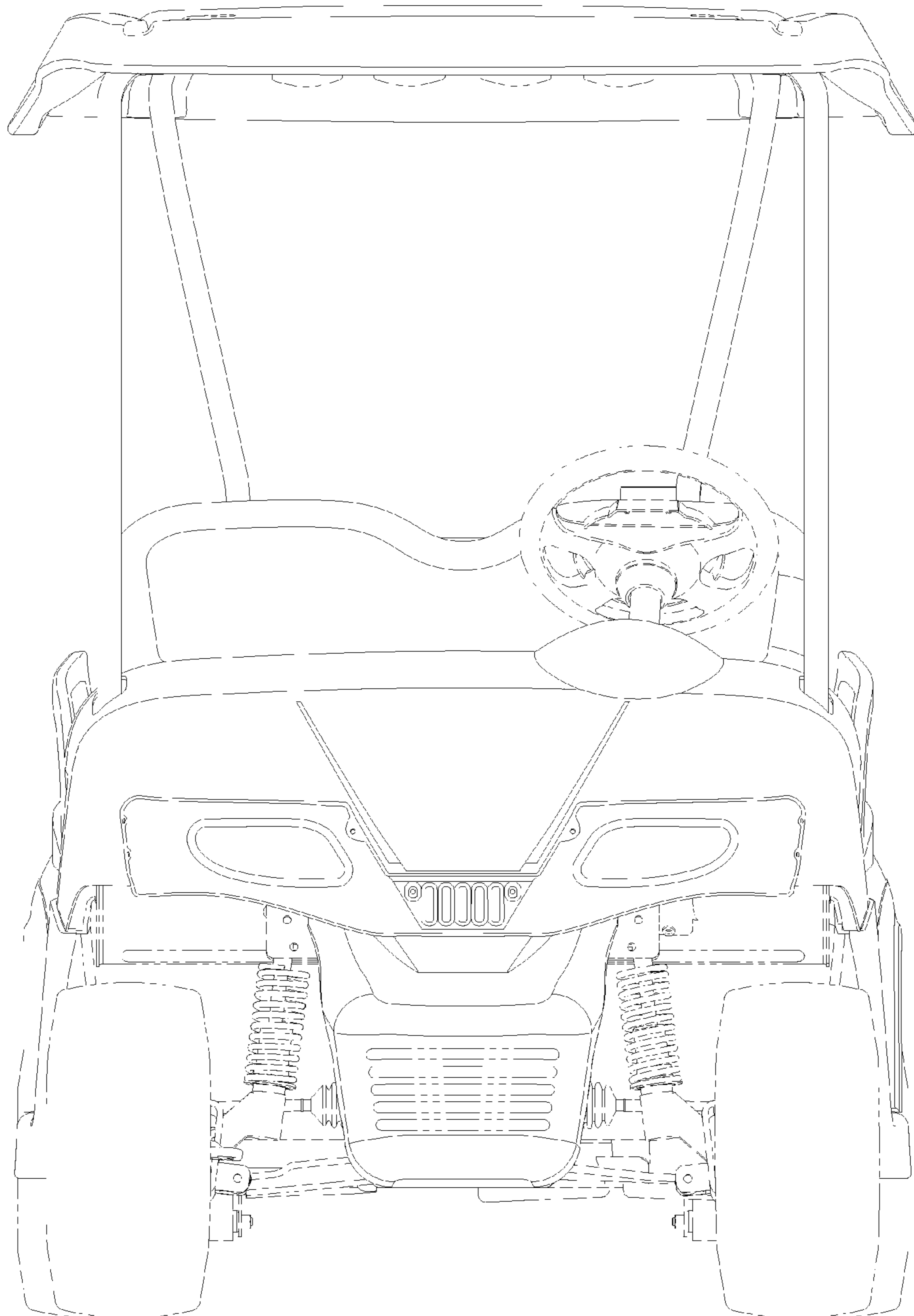


Fig-2

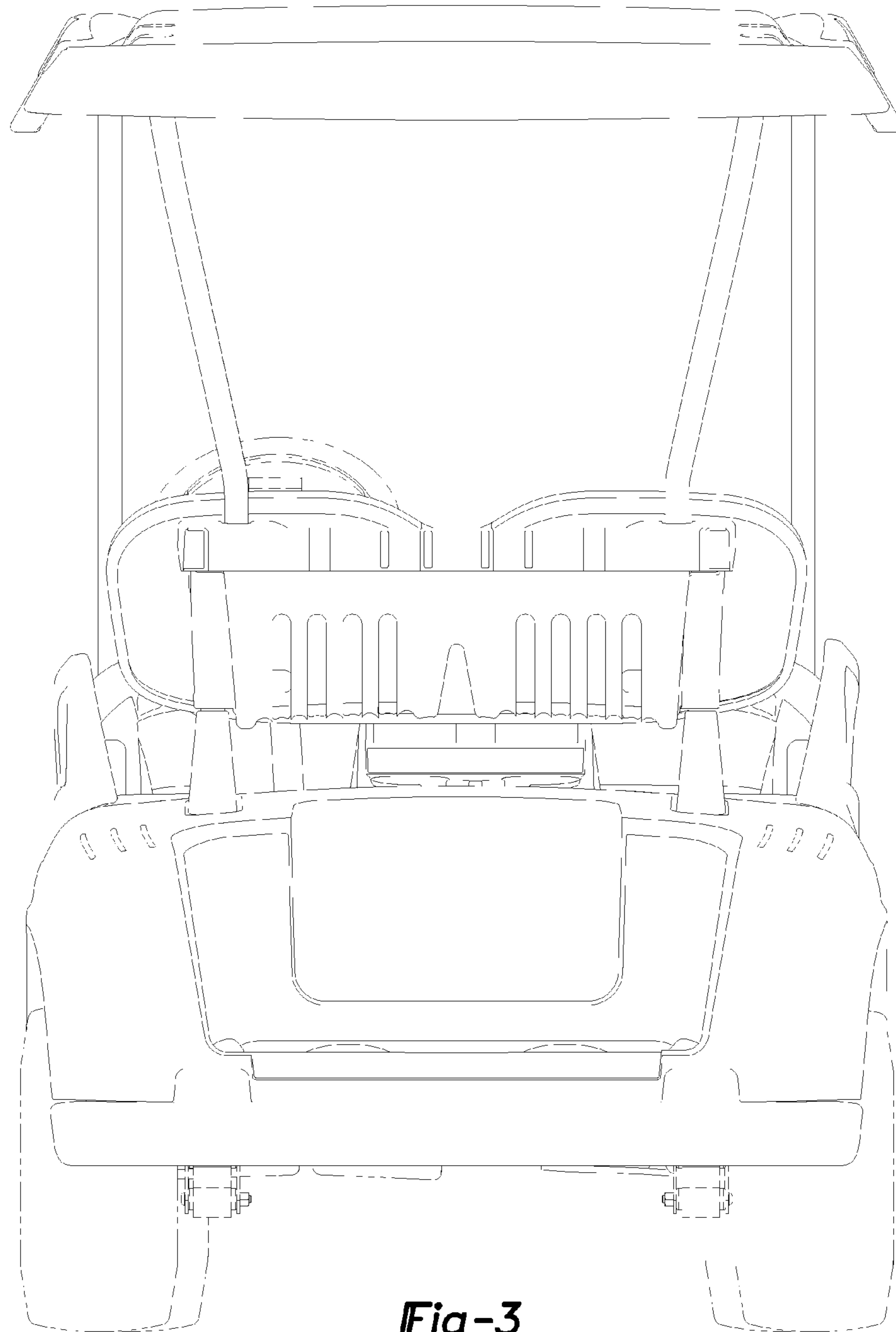
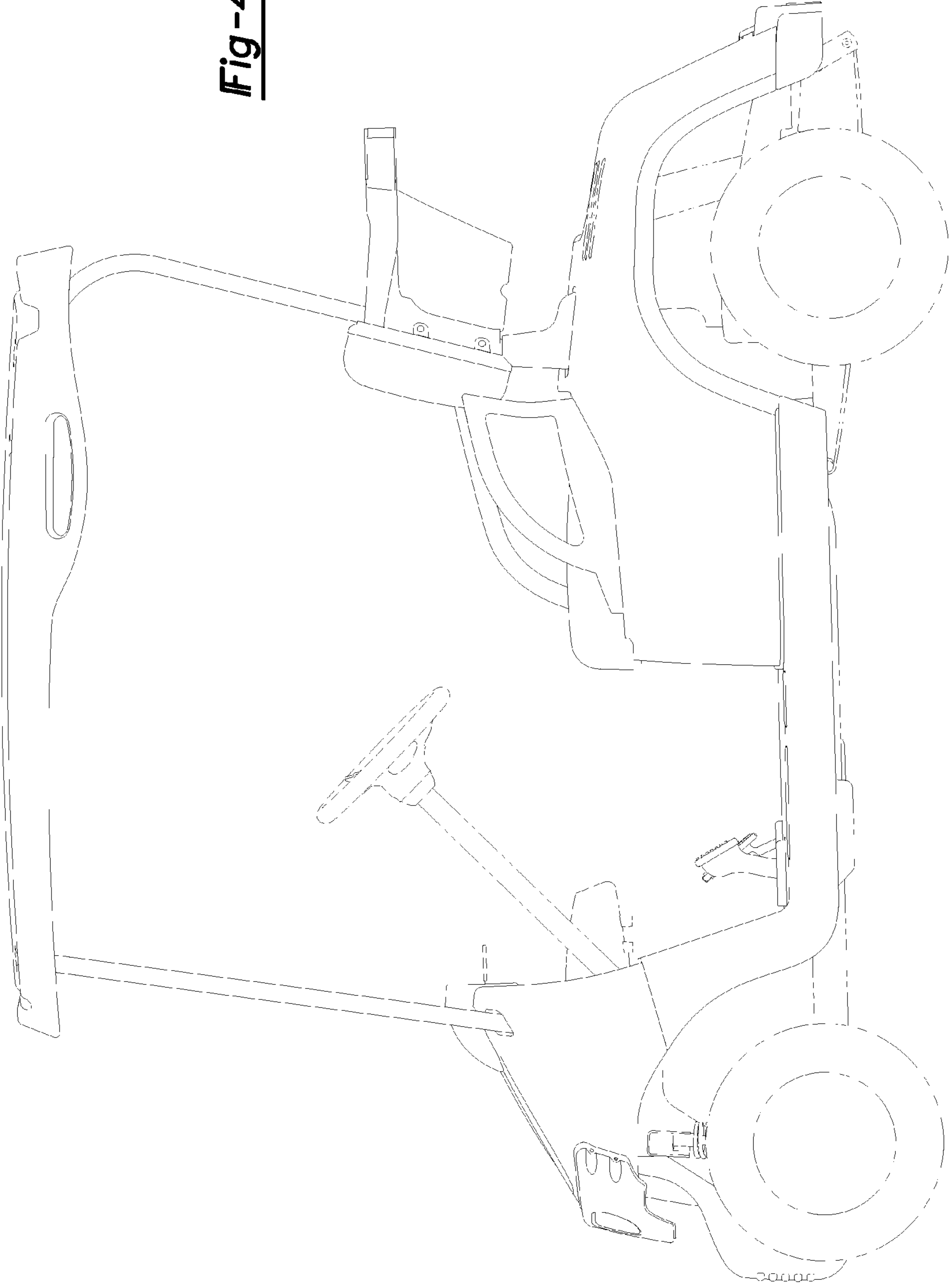
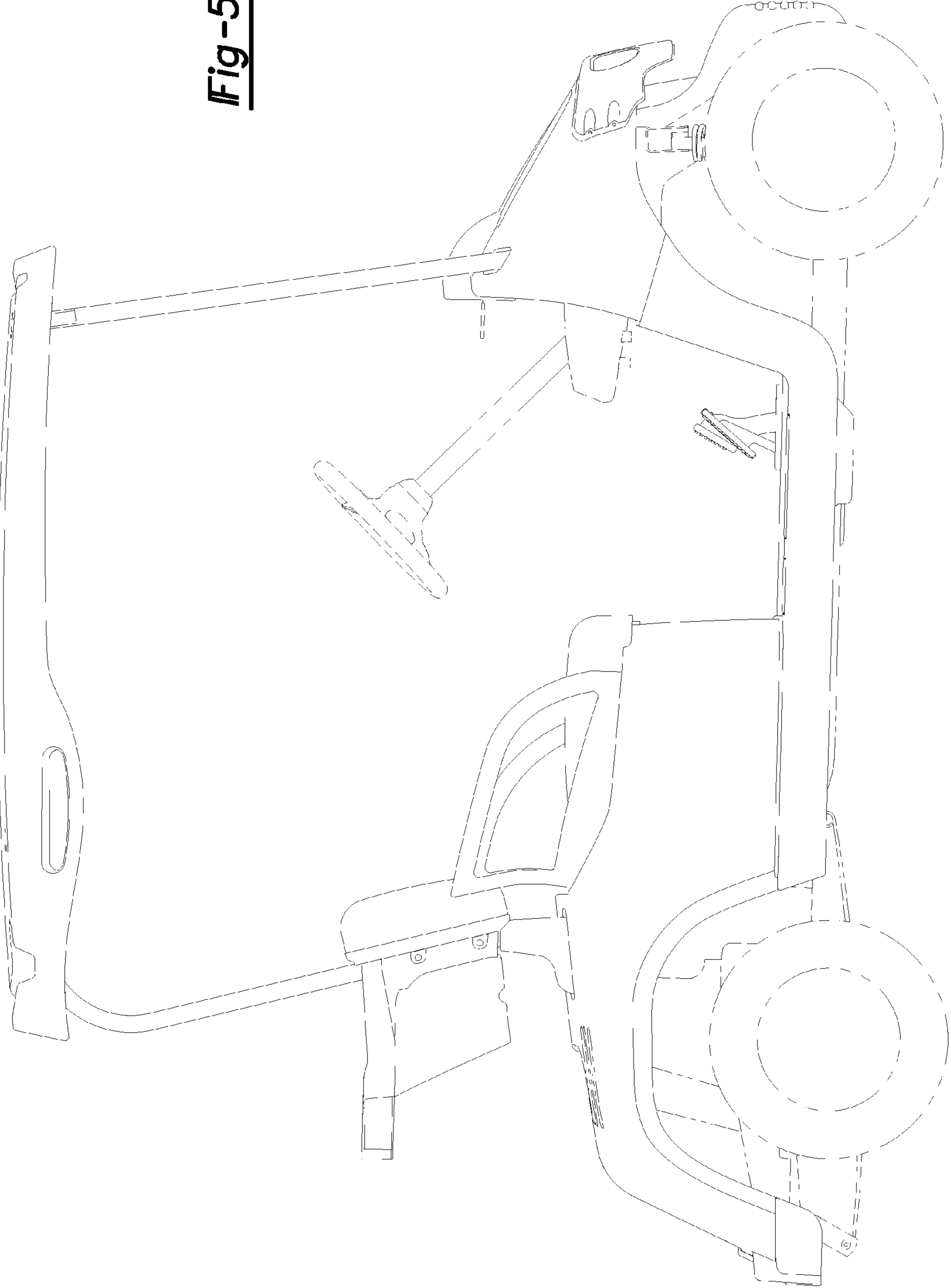


Fig-3

**Fig-4**



**Fig-5**



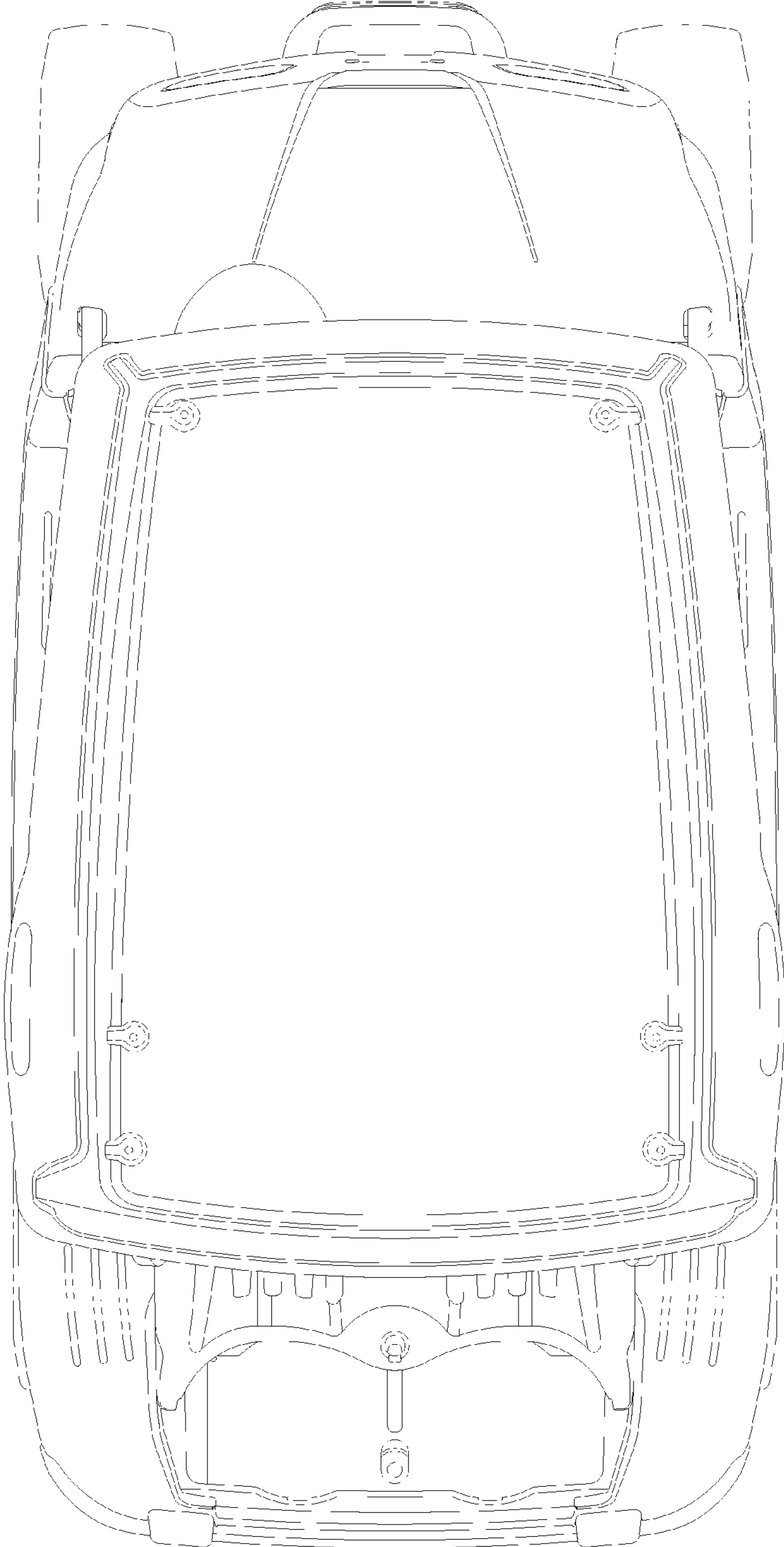


Fig-6