



US00D600587S

(12) **United States Design Patent**  
**Urquico**

(10) **Patent No.:** **US D600,587 S**

(45) **Date of Patent:** **\*\* \*Sep. 22, 2009**

(54) **PYX CARRIER**

(76) Inventor: **Benny Saddi Urquico**, 4111 Country Club Dr., Lakewood, CA (US) 90712

(\*) Notice: This patent is subject to a terminal disclaimer.

(\*\*) Term: **14 Years**

(21) Appl. No.: **29/282,396**

(22) Filed: **Jul. 18, 2007**

(51) **LOC (9) Cl.** ..... **11-01**

(52) **U.S. Cl.** ..... **D11/79**

(58) **Field of Classification Search** ..... D11/1-2, D11/40-41, 43-50, 53, 56, 60, 63, 65, 67, D11/75-78.1, 86, 89, 95-105, 108-109, 115-116; 63/1.11, 1.12, 1.13, 1.14, 1.16, 1.18, 13, 63/14.1, 35, 38, 39

See application file for complete search history.

(56) **References Cited**

**U.S. PATENT DOCUMENTS**

D23,884 S *	12/1894	Keller	.....	D11/97
D37,804 S *	2/1906	Stachowski	.....	D11/102
D47,989 S *	10/1915	Breuer	.....	D23/269
D48,004 S *	10/1915	Mueller	.....	D23/269
D355,144 S *	2/1995	Cord	.....	D11/81
D480,182 S *	9/2003	McAnally	.....	D30/155
D518,754 S *	4/2006	Dias	.....	D11/96

\* cited by examiner

*Primary Examiner*—R. Seifert

(74) *Attorney, Agent, or Firm*—Loza & Loza, LLP; Christina Loza

(57) **CLAIM**

The ornamental design for a PYX carrier, as shown and described.

**DESCRIPTION**

FIG. 1 is a top side perspective view of a PYX carrier, showing my new design;

FIG. 2 is a top plan view thereof;

FIG. 3 is a bottom plan view thereof;

FIG. 4 is a front elevational view thereof;

FIG. 5 is a back elevational view thereof;

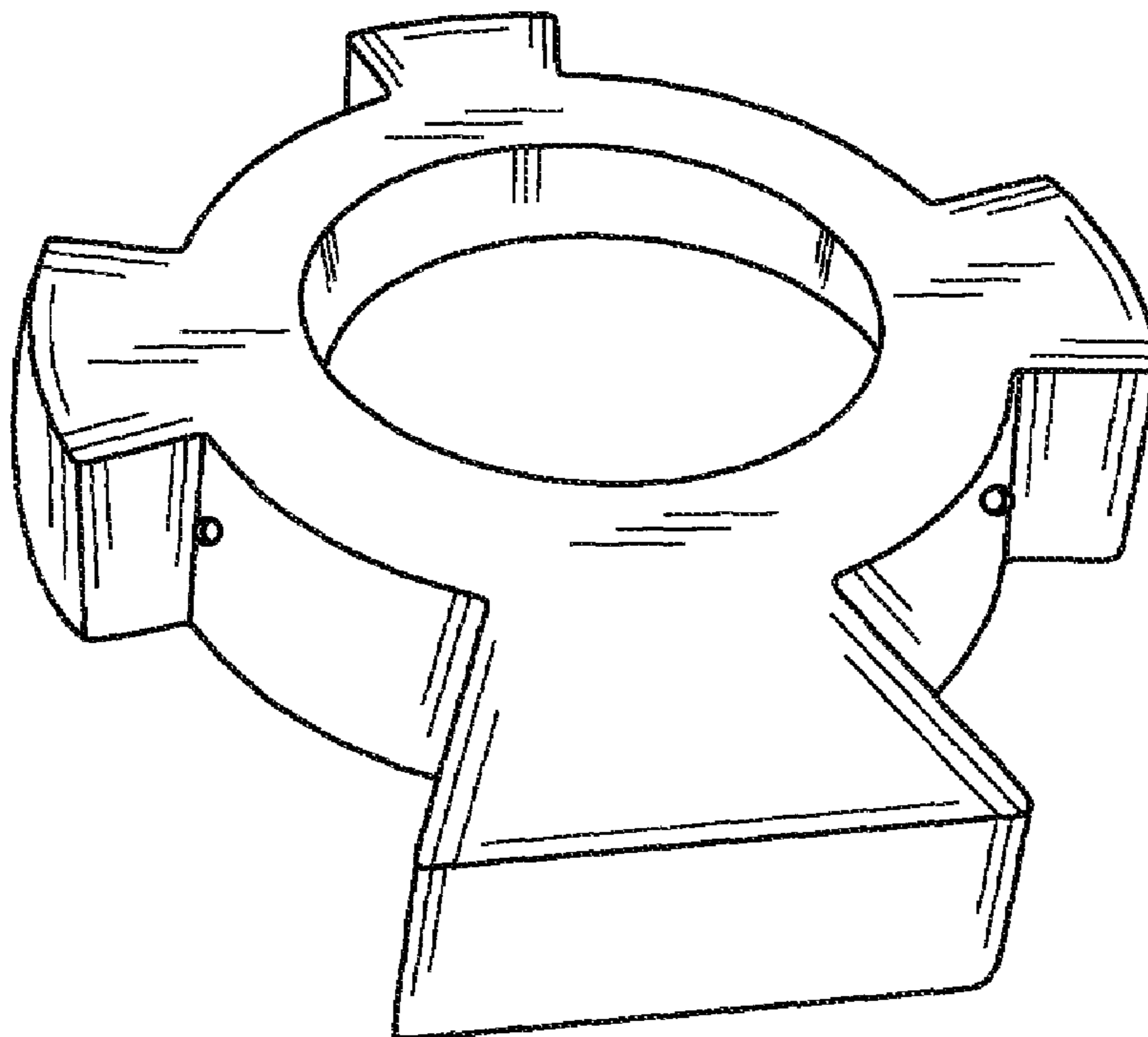
FIG. 6 is a side elevational view thereof, the opposite side of which is an identical mirror image;

FIG. 7 is a top side perspective view of the PYX carrier showing the PYX in the carrier; and,

FIG. 8 is a side perspective view of the PYX carrier without the cord.

The broken line showing of a cord in FIGS. 1-7 and a PYX in FIG. 7 is for illustrative purposes only and forms no part of the claimed design.

**1 Claim, 4 Drawing Sheets**



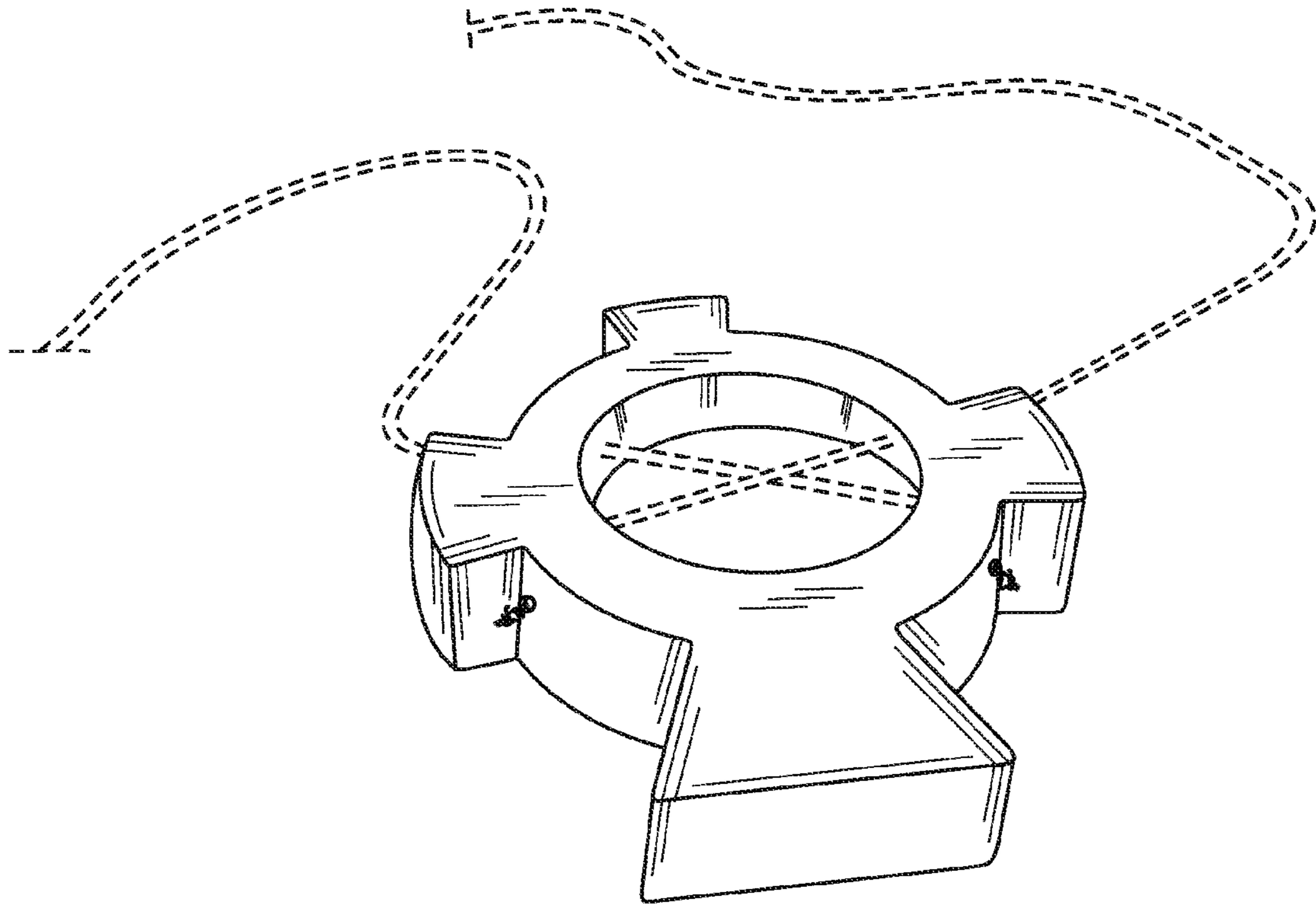


FIG. 1

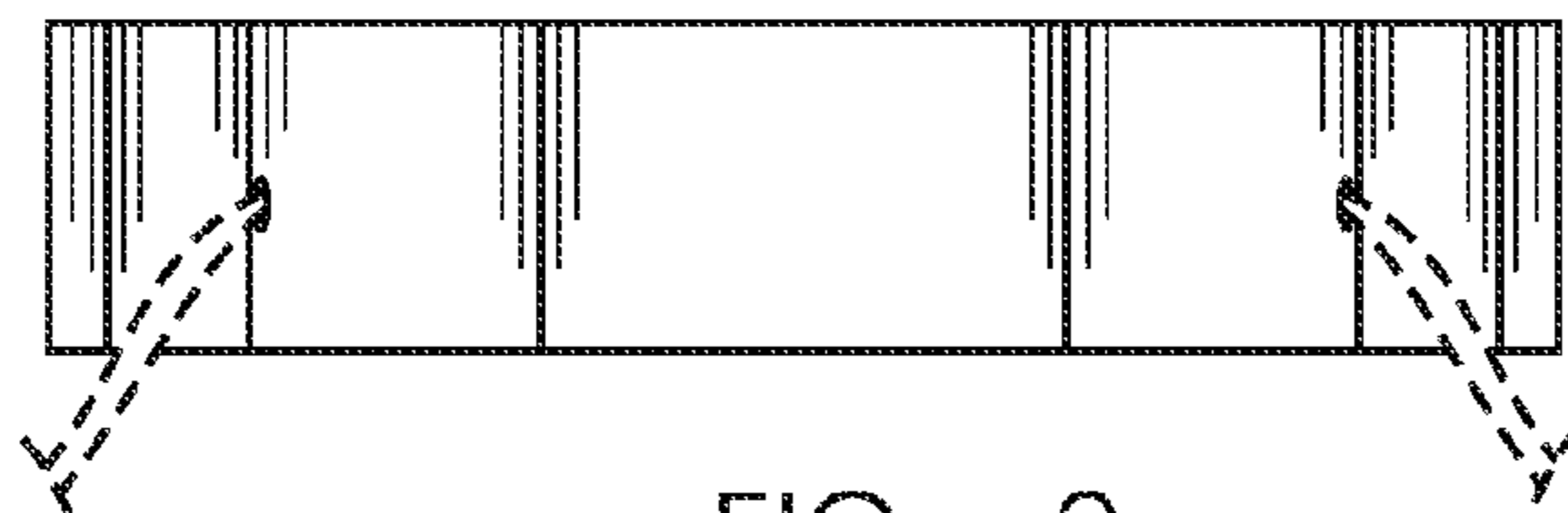


FIG. 2



FIG. 3

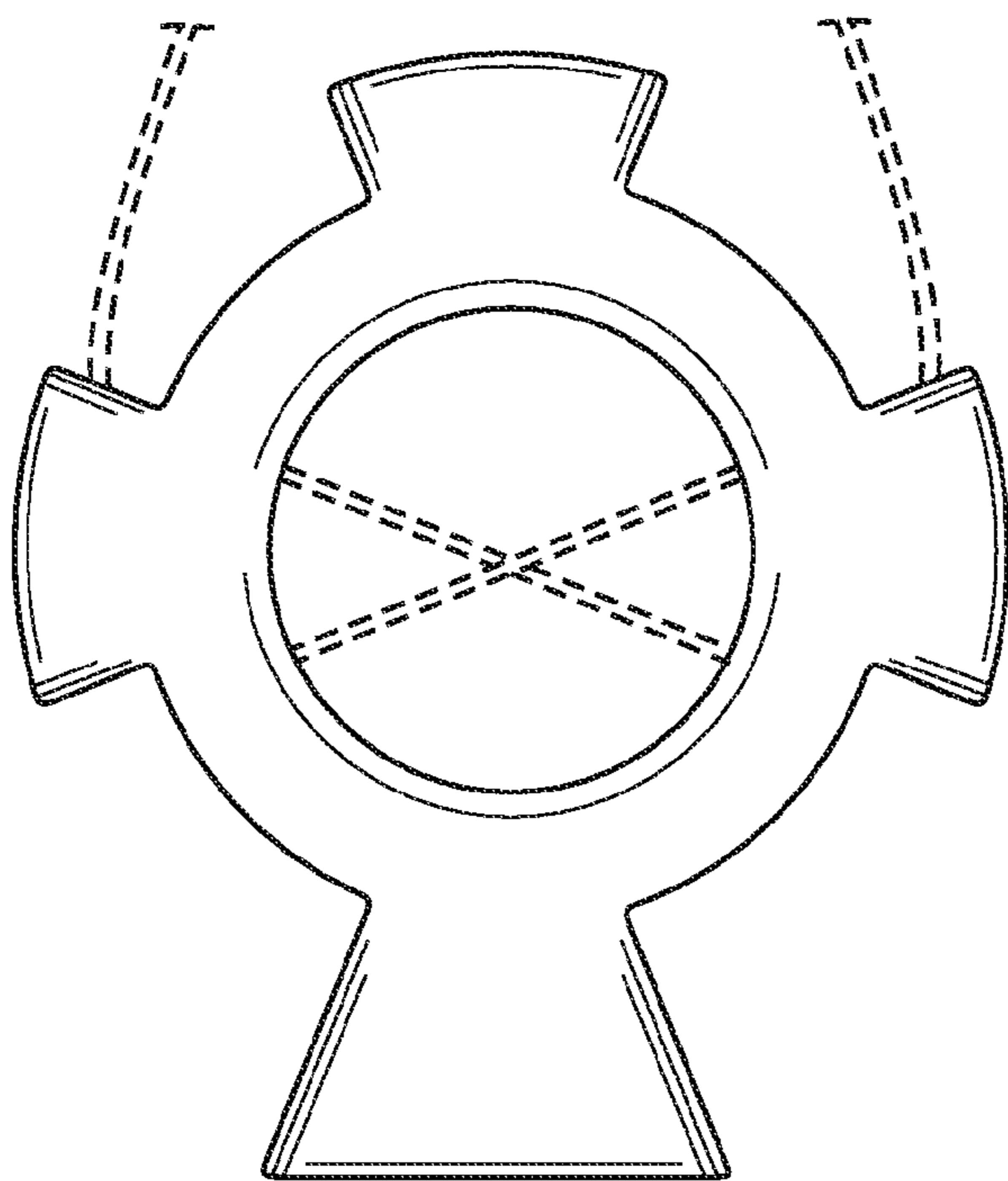


FIG. 4

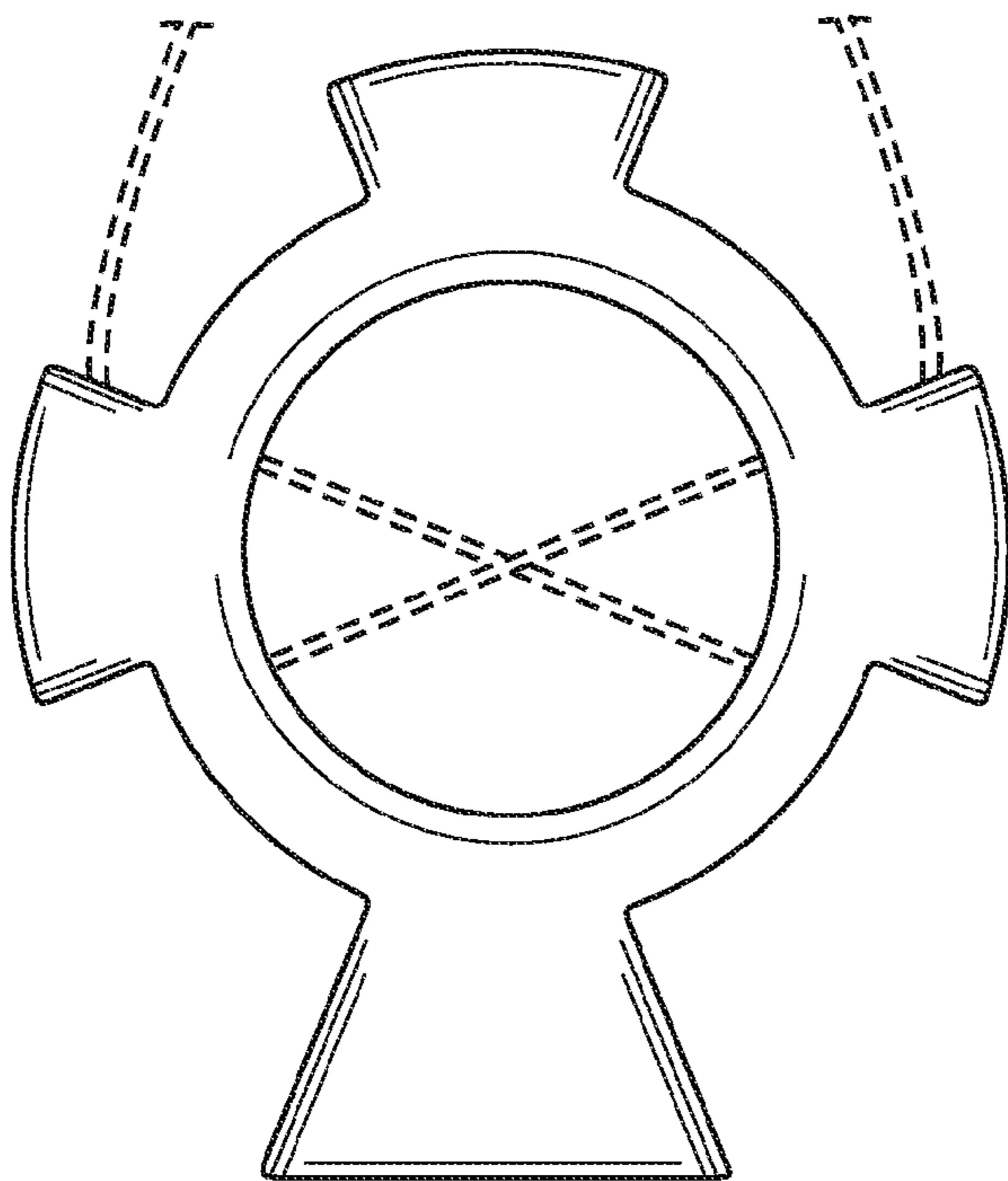


FIG. 5

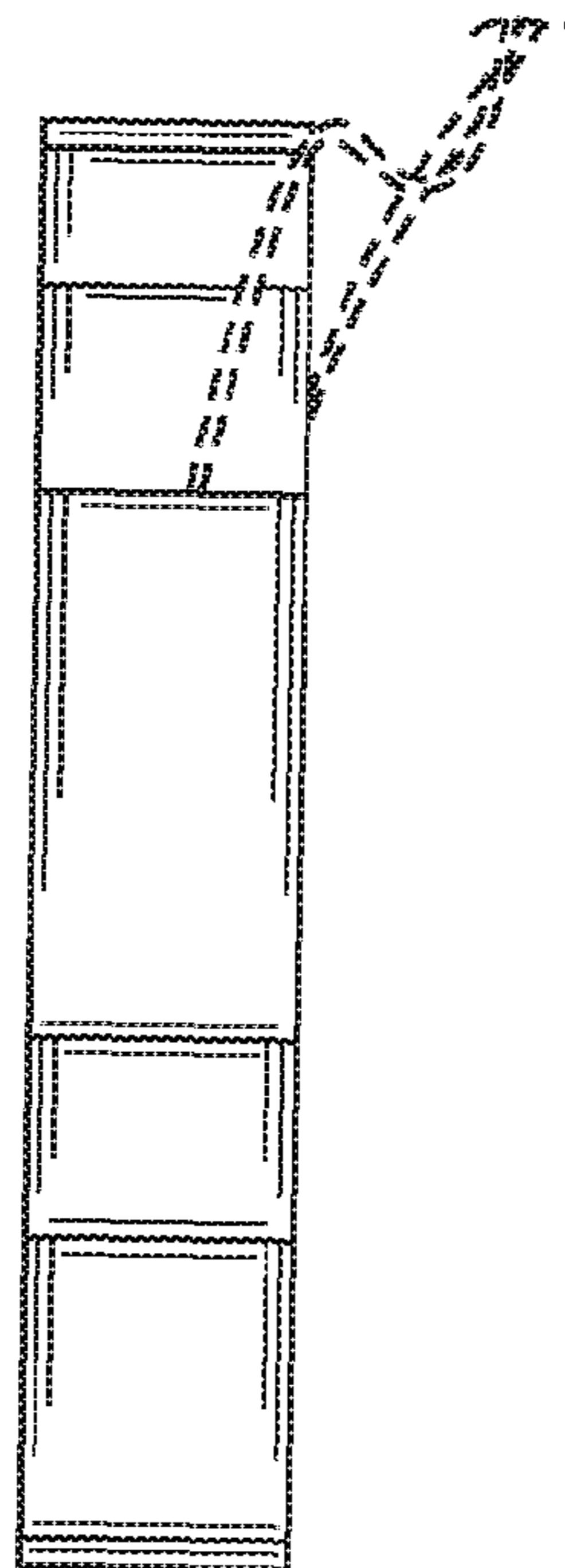


FIG. 6

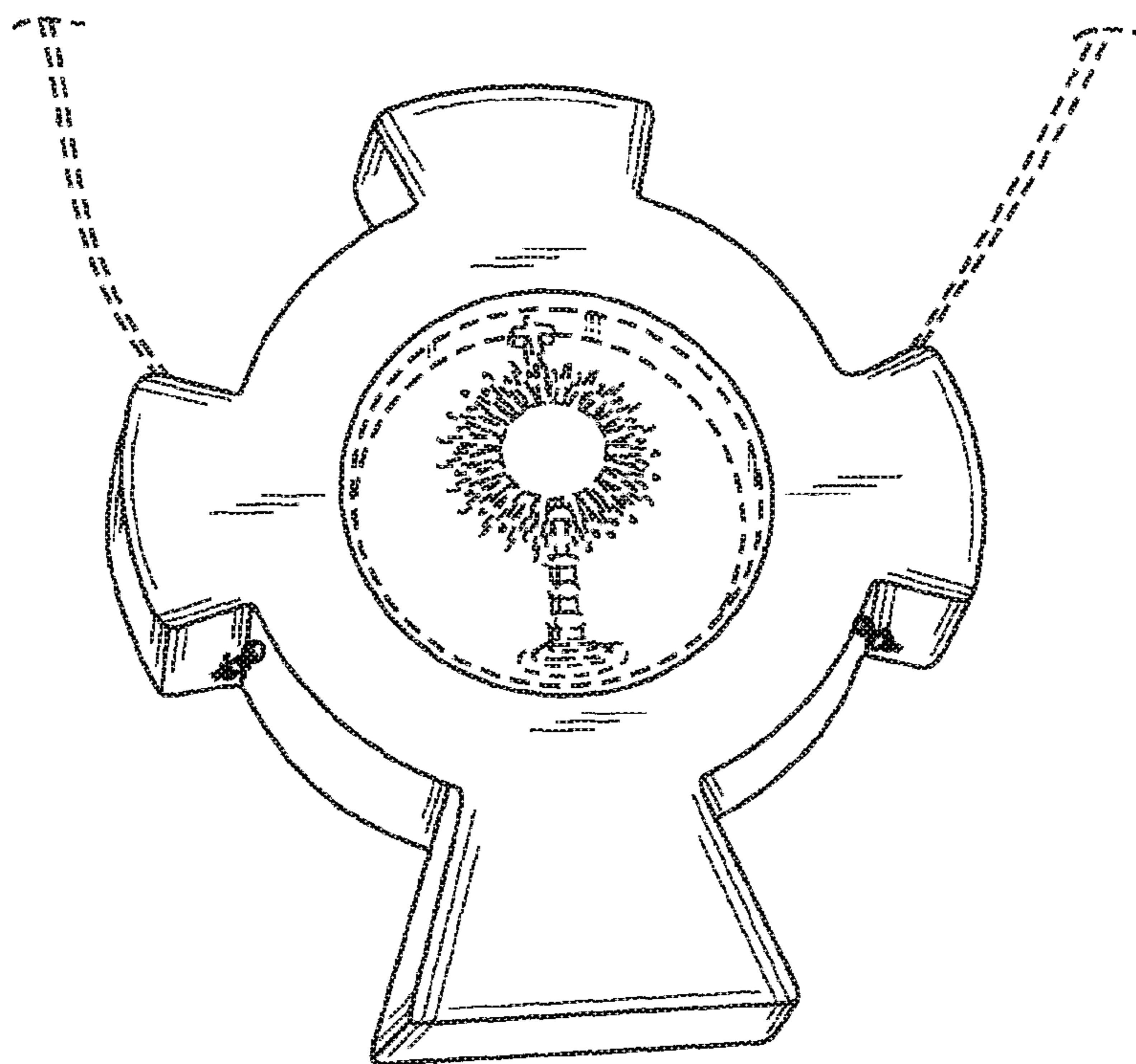


FIG. 7

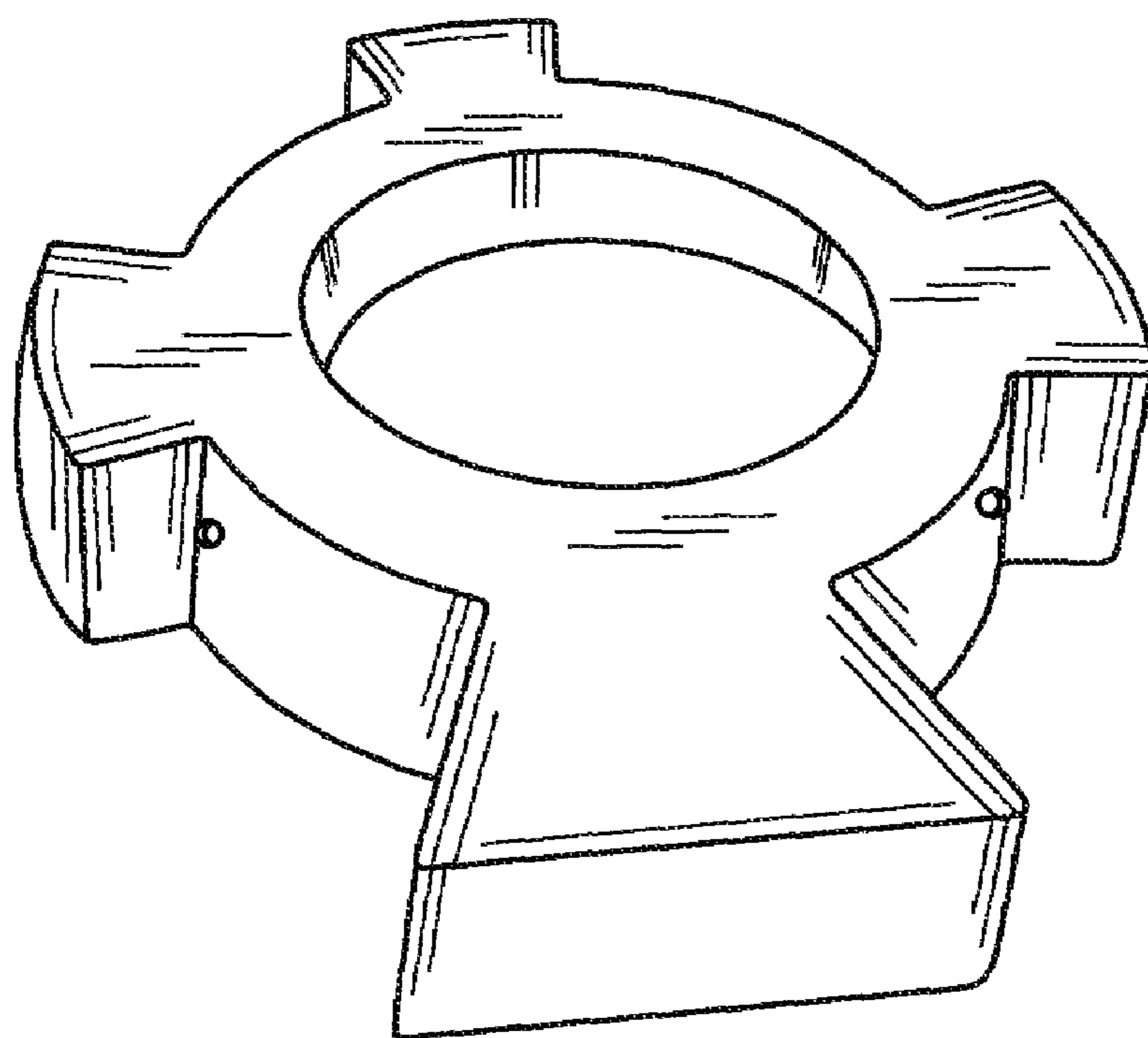


FIG. 8