



US00D600586S

(12) **United States Design Patent**  
**Nolan**

(10) **Patent No.:** **US D600,586 S**

(45) **Date of Patent:** **\*\* Sep. 22, 2009**

(54) **EARRING BACK CLASP**

D530,644 S \* 10/2006 Mehta ..... D11/92  
D574,745 S \* 8/2008 Nolan ..... D11/41  
D574,746 S \* 8/2008 Nolan ..... D11/41

(76) Inventor: **Phyllis Carol Nolan**, P.O. Box 220,  
19620 Murrell Rd., Tahlequah, OK (US)  
74464

\* cited by examiner

(\*\*) Term: **14 Years**

*Primary Examiner*—Cathron C Brooks

*Assistant Examiner*—Melanie Levy

(21) Appl. No.: **29/323,839**

(74) *Attorney, Agent, or Firm*—Fellers, Snider, Blankenship,  
Lailey & Tippens, P.C.; Dennis D. Brown

(22) Filed: **Sep. 2, 2008**

(57) **CLAIM**

(51) **LOC (9) Cl.** ..... **11-01**

The ornamental design for an earring back clasp, as shown  
and described.

(52) **U.S. Cl.** ..... **D11/41**

(58) **Field of Classification Search** ..... D11/40-45,  
D11/47, 48, 49, 79, 80, 86, 89, 90, 91, 92,  
D11/93, 94, 117, 120, 121, 122, 139, 143,  
D11/144, 151; 63/3, 3.1, 3.2, 4, 5.1, 7, 10,  
63/11, 15, 15.7, 18, 21, 35, 36, 37, 38

See application file for complete search history.

**DESCRIPTION**

FIG. 1 is a perspective view of an earring back clasp illustrating my new design.

FIG. 2 is a front elevational view thereof, the rear elevational view being a mirror image of this view.

FIG. 3 is a right side elevational view thereof, the left side elevational view being a mirror image of this view.

FIG. 4 is a top plan view thereof; and,

FIG. 5 is a bottom plan view thereof.

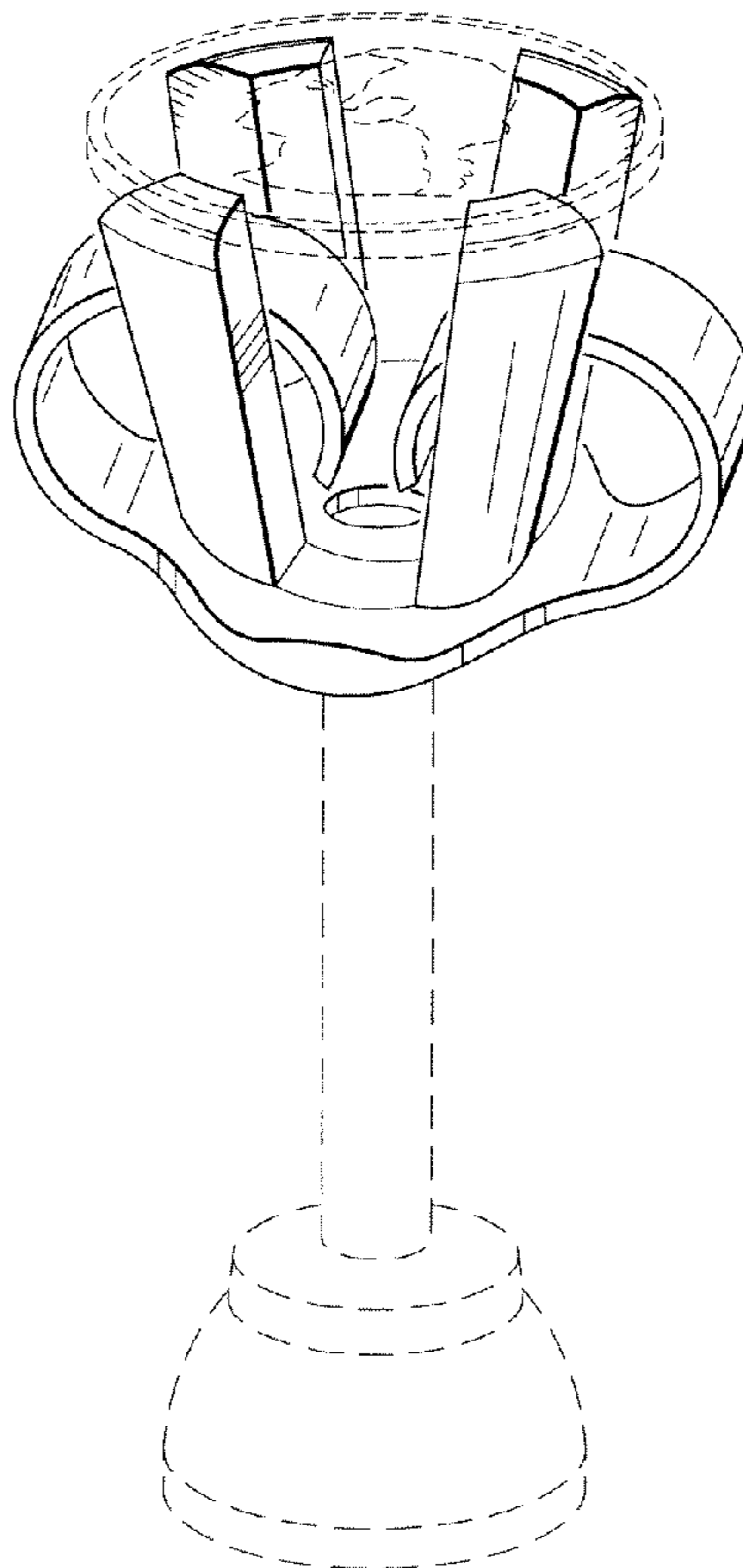
The broken lines shown in the drawings represent unclaimed portions of the design and form no part thereof.

(56) **References Cited**

U.S. PATENT DOCUMENTS

- 2,069,598 A \* 2/1937 Arpels ..... 63/29.1
- D339,763 S \* 9/1993 Nalbandian ..... D11/91
- 5,365,754 A \* 11/1994 Nalbandian ..... 63/26
- D379,074 S \* 5/1997 Udko ..... D11/91
- D391,888 S \* 3/1998 Fox ..... D11/41
- D429,658 S \* 8/2000 Biagi ..... D11/41
- D516,453 S \* 3/2006 Kayamori et al. .... D11/40

**1 Claim, 2 Drawing Sheets**



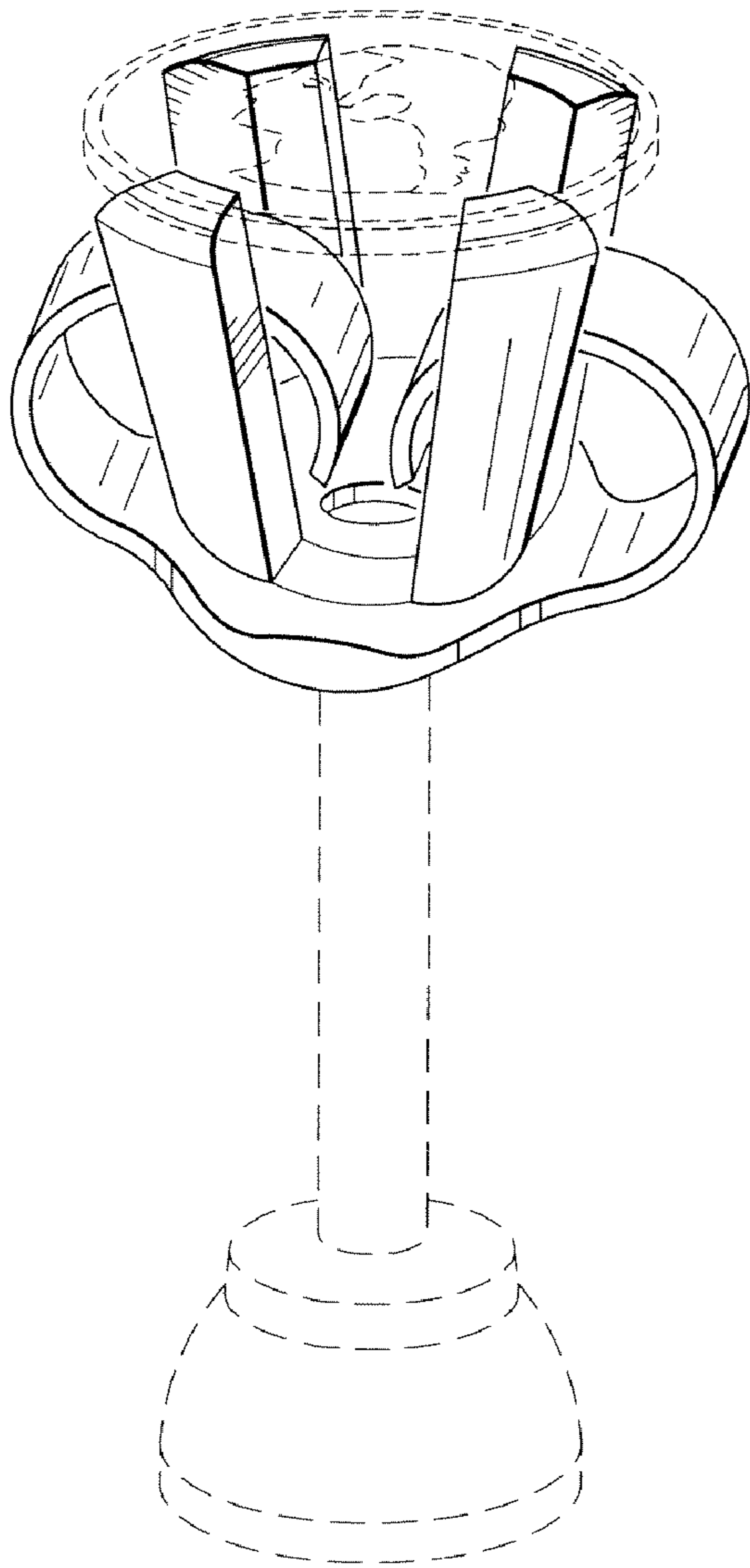


FIG. 1

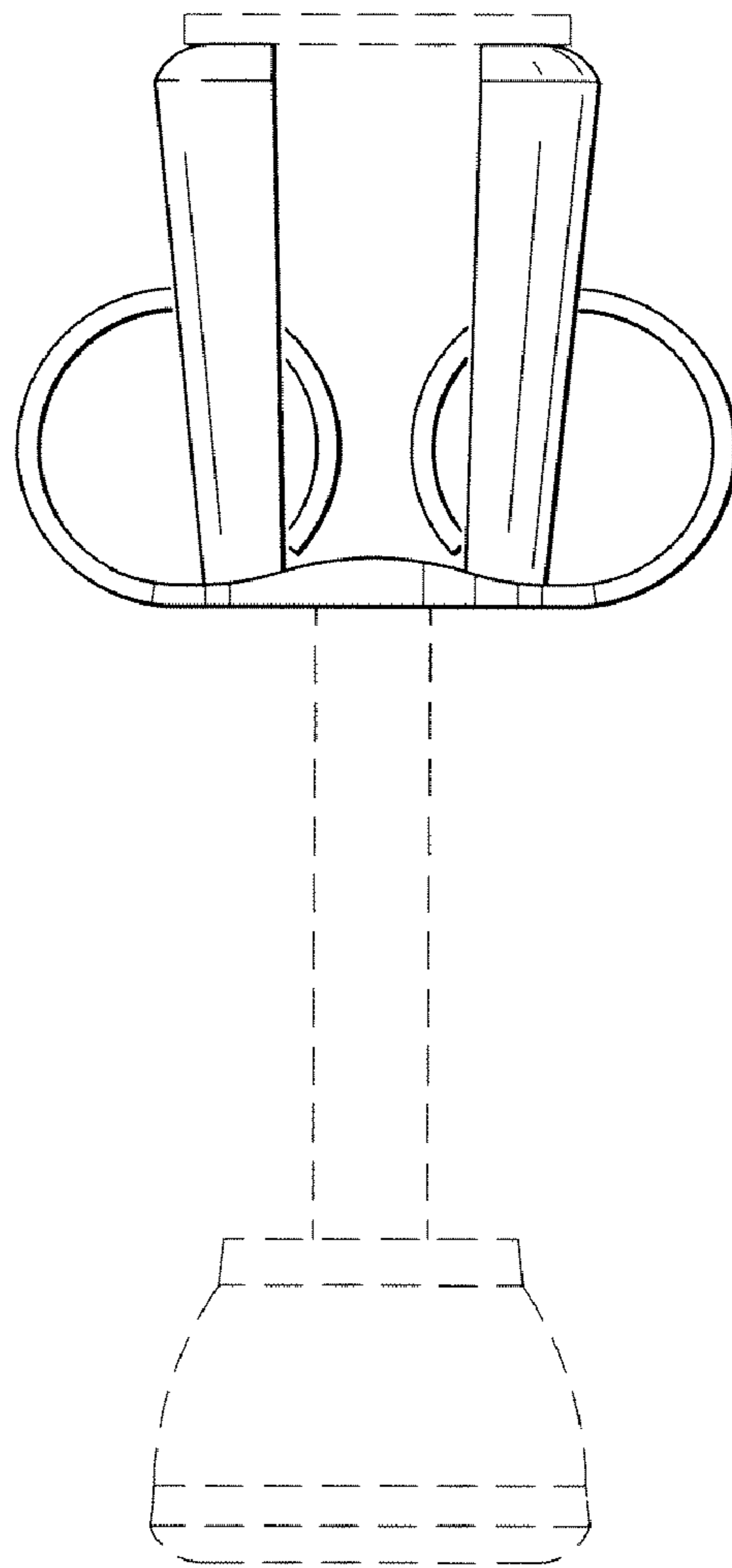


FIG. 2

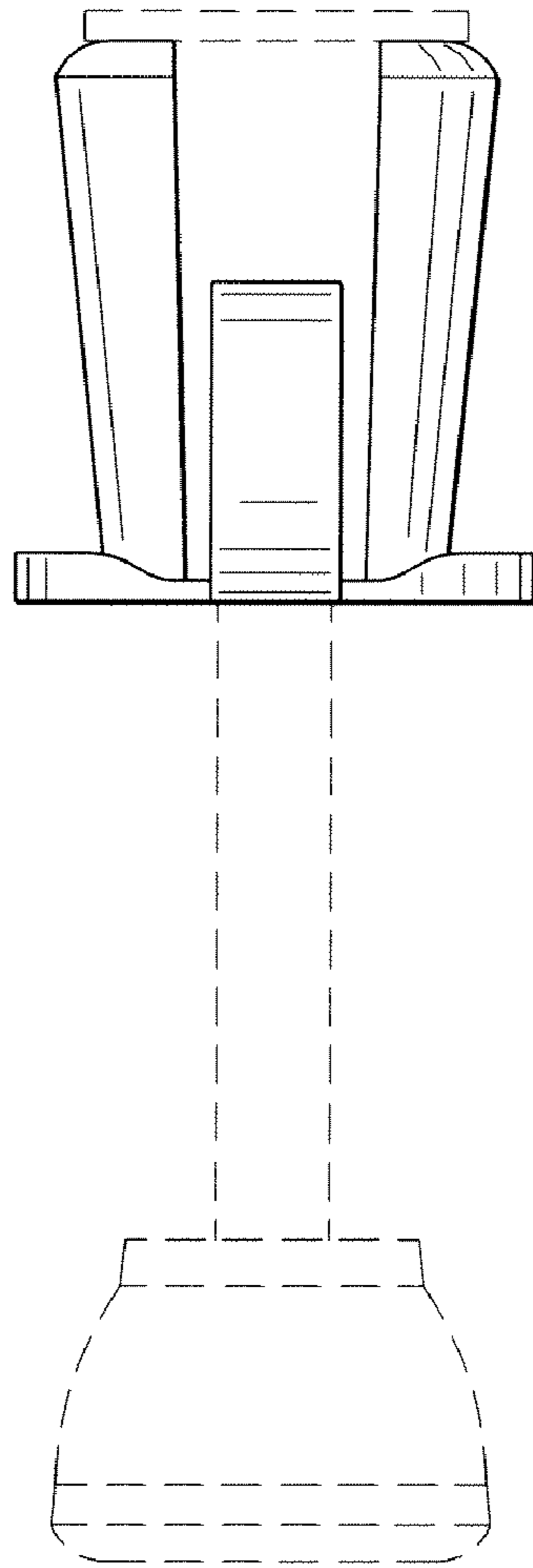


FIG. 3

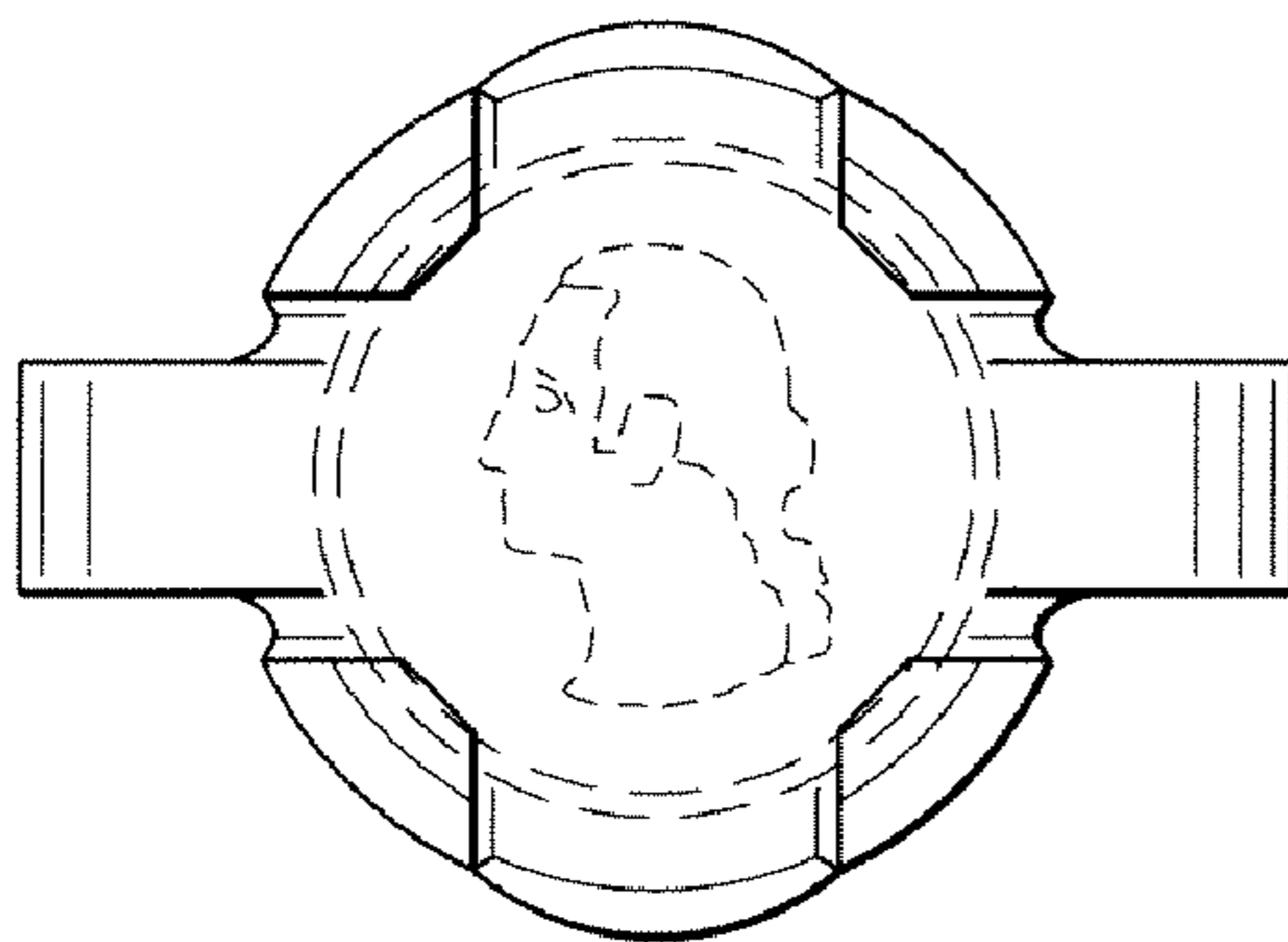


FIG. 4

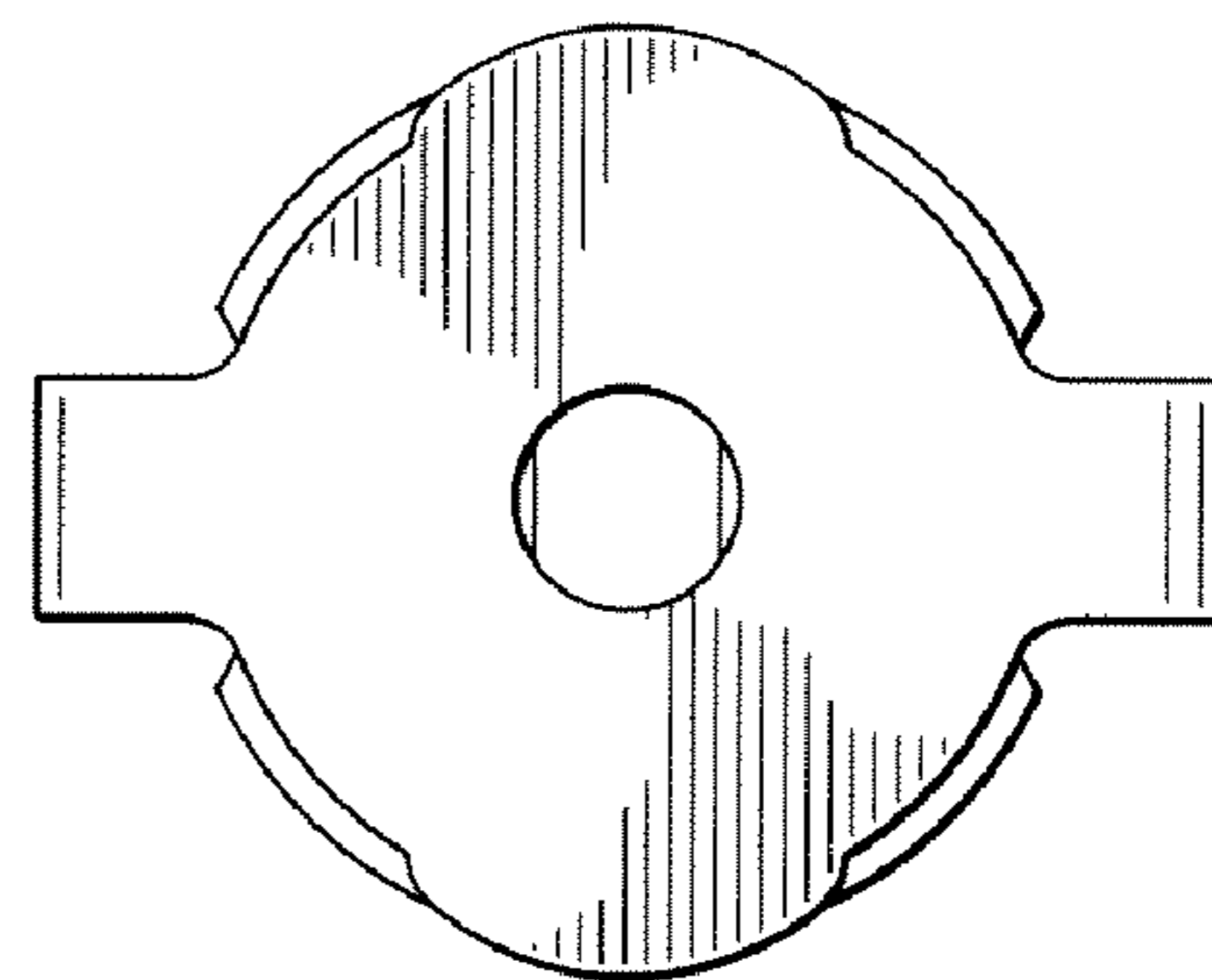


FIG. 5