



US00D600585S

(12) **United States Design Patent**
Fox

(10) **Patent No.:** **US D600,585 S**

(45) **Date of Patent:** **** Sep. 22, 2009**

(54) **RING SHANK**

(74) *Attorney, Agent, or Firm*—Italia IP; James A. Italia

(76) Inventor: **Joel Fox**, 52530 Grape Rd., Granger, IN
(US) 46530

(57) **CLAIM**

The ornamental design for a ring shank, as shown and described.

(**) Term: **14 Years**

(21) Appl. No.: **29/332,559**

(22) Filed: **Feb. 19, 2009**

DESCRIPTION

(51) **LOC (9) Cl.** **11-01**

(52) **U.S. Cl.** **D11/26**

(58) **Field of Classification Search** D11/26–39,
D11/89–94; 63/15, 15.1–15.4, 15.45, 15.5,
63/15.6, 15.65, 15.7, 26–27

See application file for complete search history.

FIG. 1 is a perspective view of a ring shank, showing my new design;

FIG. 2 is a top plan view of the invention;

FIG. 3 is a bottom plan view of the invention;

FIG. 4 is a left-side elevational view of the invention;

FIG. 5 is a right-side elevational view of the invention;

FIG. 6 is a front elevational view of the invention;

FIG. 7 is a rear elevational view of the invention;

FIG. 8 is a perspective view of the invention, the broken lines represent unclaimed portions of the design and form no part thereof; and,

FIG. 9 is a perspective view of the invention, the broken lines represent unclaimed portions of the design and form no part thereof.

(56) **References Cited**

U.S. PATENT DOCUMENTS

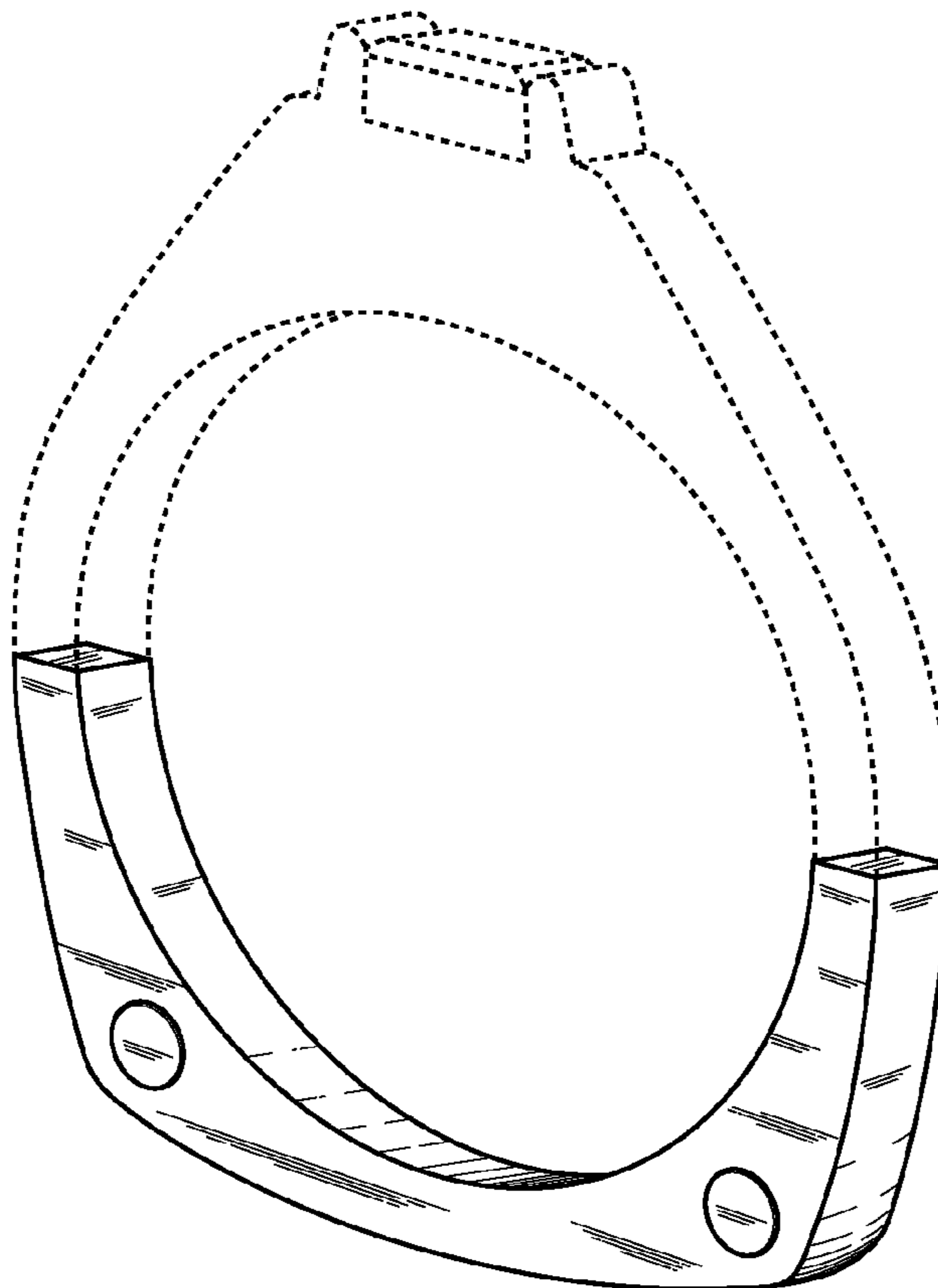
D172,012 S *	4/1954	Erlanger	D11/86
D423,393 S *	4/2000	Morris	D11/26
D560,135 S *	1/2008	Kohl	D11/26
D567,130 S *	4/2008	Keating	D11/35

* cited by examiner

Primary Examiner—Cathron C Brooks

Assistant Examiner—Melanie Levy

1 Claim, 3 Drawing Sheets



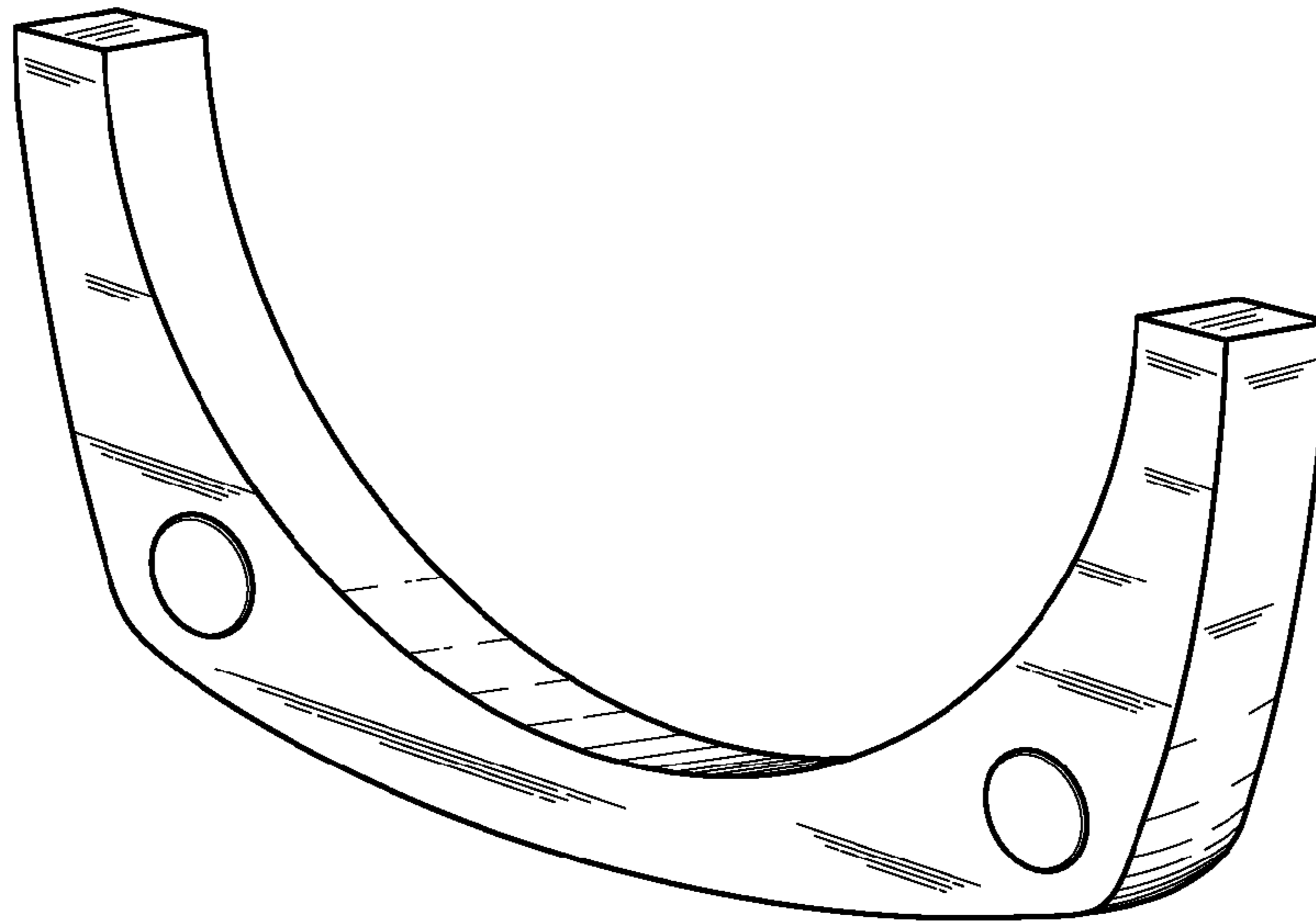


FIG. 1

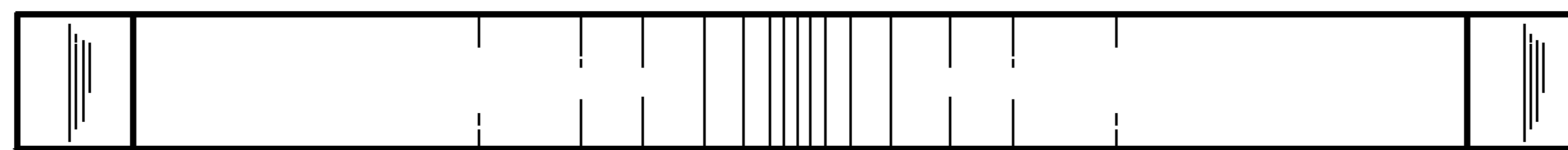


FIG. 2



FIG. 3

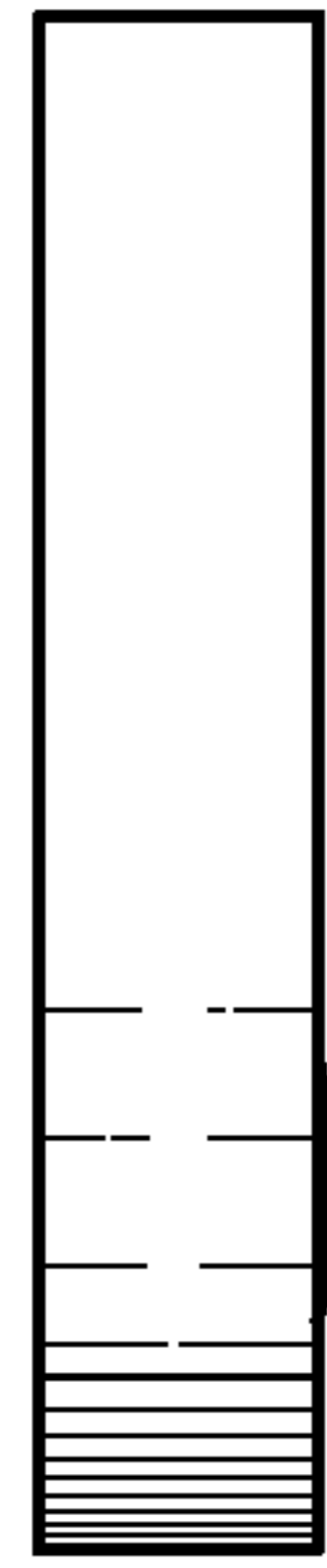


FIG. 4

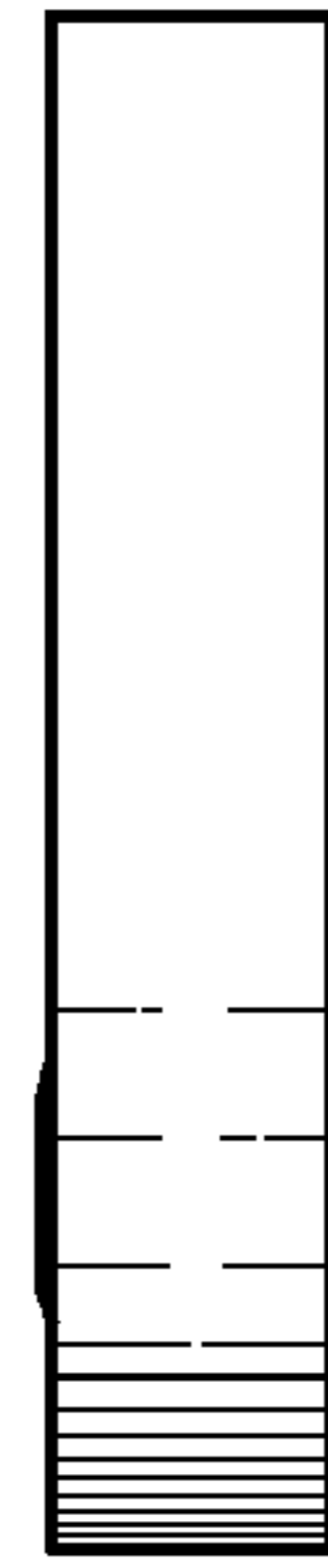


FIG. 5

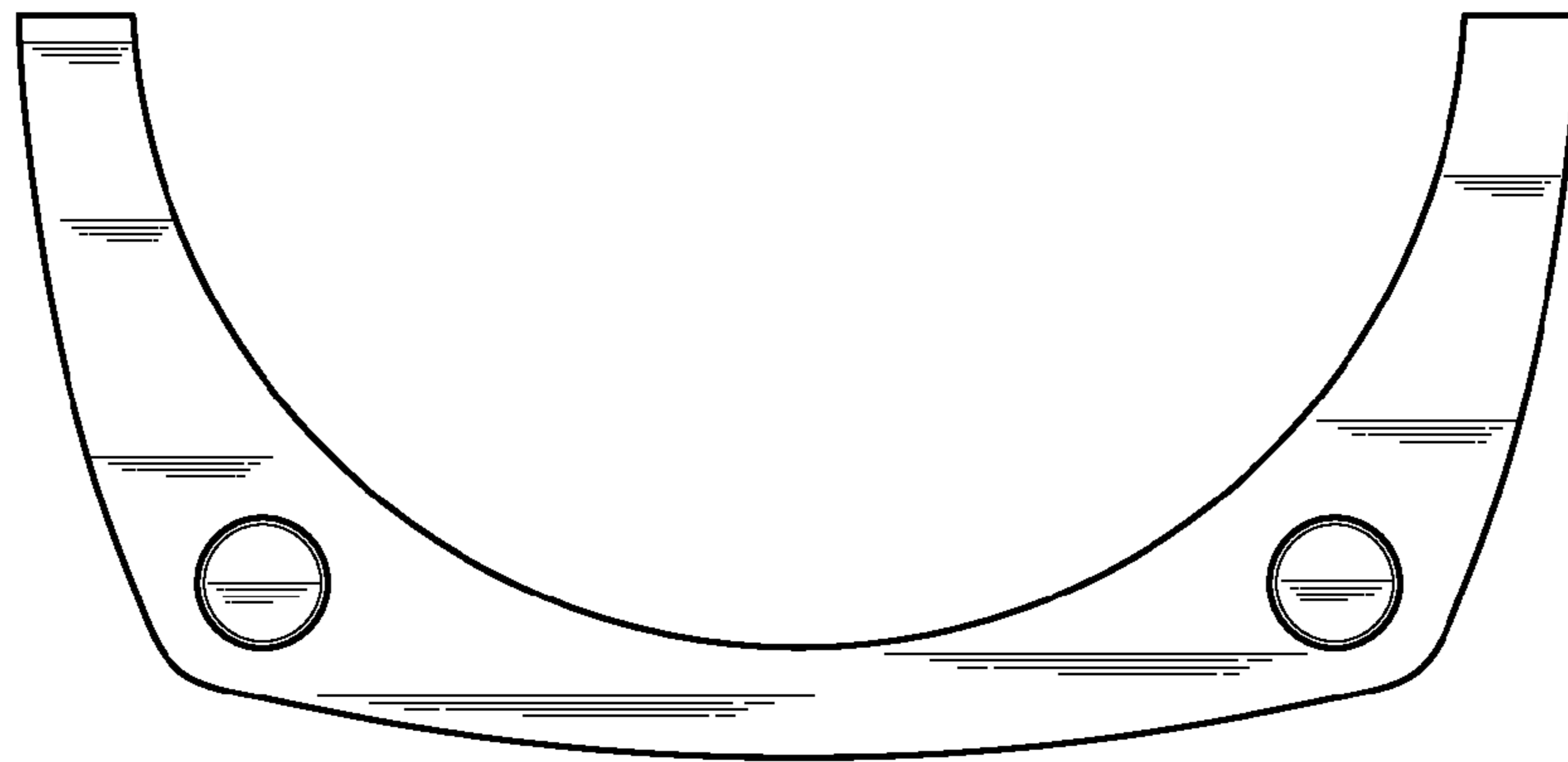


FIG. 6

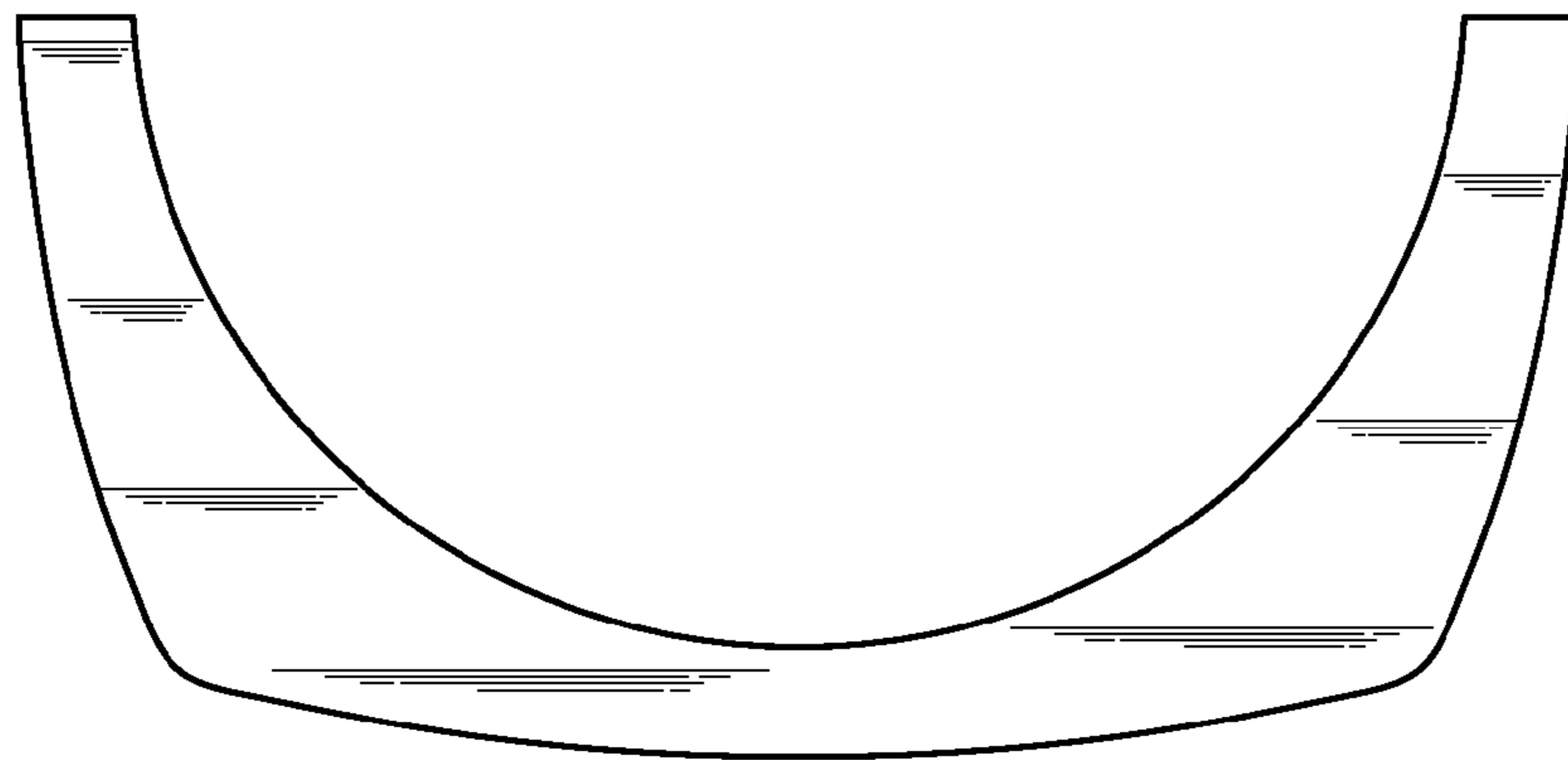


FIG. 7

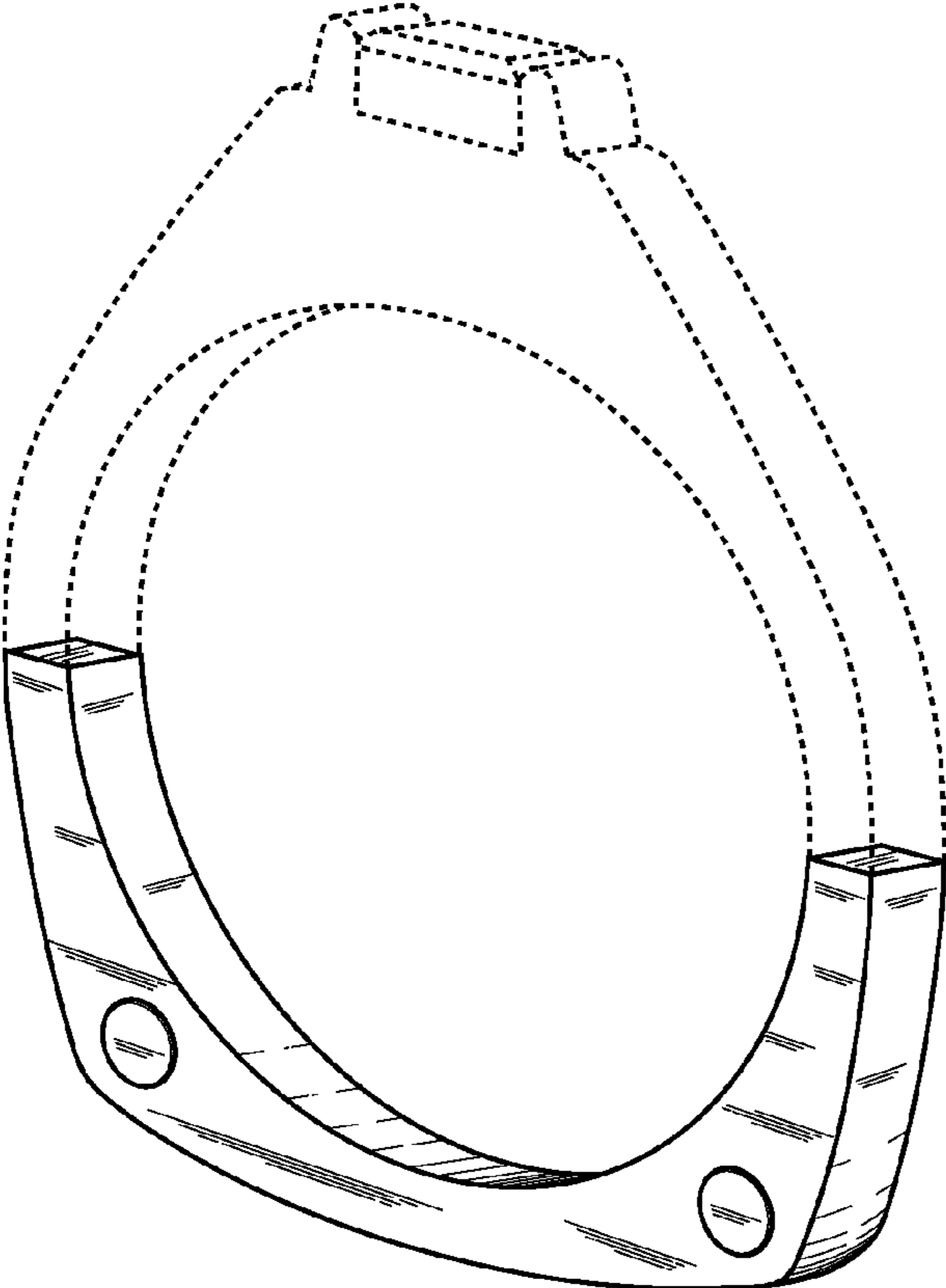


FIG. 8

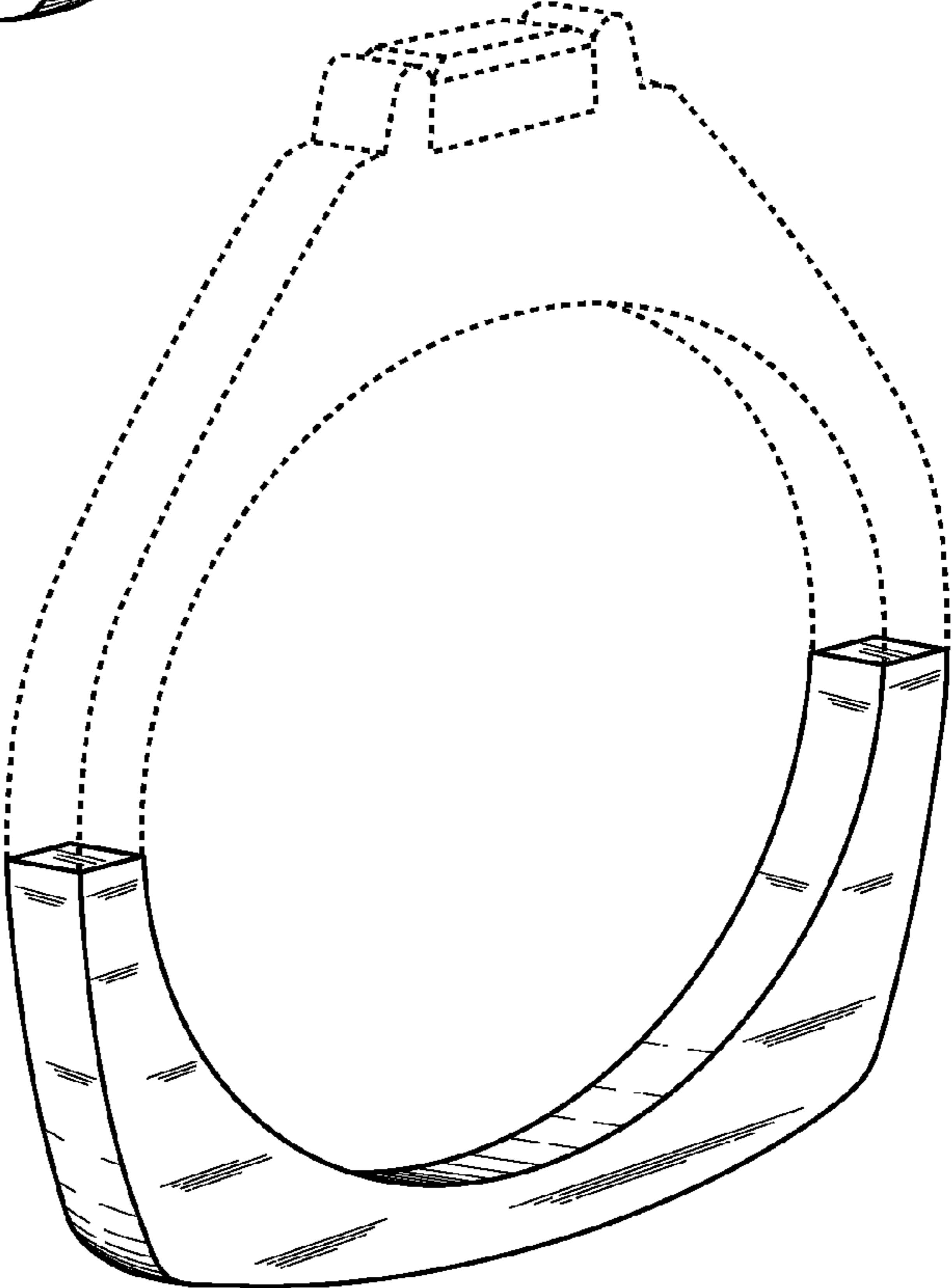


FIG. 9