



US00D600584S

(12) **United States Design Patent**  
**Lyons**

(10) **Patent No.:** **US D600,584 S**

(45) **Date of Patent:** **\*\* Sep. 22, 2009**

(54) **WARNING LIGHT ASSEMBLY AND FLANGE**

(75) Inventor: **Jon H. Lyons**, Haddam, CT (US)

(73) Assignee: **Whelen Engineering Company, Inc.**,  
Chester, CT (US)

(\*\*) Term: **14 Years**

(21) Appl. No.: **29/308,561**

(22) Filed: **Jun. 23, 2008**

(51) **LOC (9) Cl.** ..... **10-05**

(52) **U.S. Cl.** ..... **D10/114**

(58) **Field of Classification Search** ..... D10/109,  
D10/113, 114; 362/235, 227, 485; D26/80,  
D26/139, 28-31, 60, 119, 120  
See application file for complete search history.

(56) **References Cited**

**U.S. PATENT DOCUMENTS**

D118,717 S *	1/1940	Alm	.....	D26/120
3,093,320 A *	6/1963	Knapp	.....	362/227
D205,957 S *	10/1966	Nagel	.....	D26/28
D215,117 S *	9/1969	Stahl	.....	D26/28
D221,106 S *	7/1971	Tixier	.....	D26/28
4,020,047 A *	4/1977	Burland	.....	362/235
D246,131 S *	10/1977	Schifrin	.....	D26/28
D282,687 S *	2/1986	McMahon	.....	D26/139
D352,914 S *	11/1994	Sours	.....	D10/114
D375,180 S *	10/1996	Lyons	.....	D26/28
D402,576 S *	12/1998	Yang et al.	.....	D10/111

D483,511 S *	12/2003	Lay et al.	.....	D26/80
D530,437 S *	10/2006	Neufeglise et al.	.....	D26/28
D542,948 S *	5/2007	Columbro	.....	D26/28
D564,108 S *	3/2008	Lassen et al.	.....	D26/28
2005/0190553 A1 *	9/2005	Lynch et al.	.....	362/227

\* cited by examiner

*Primary Examiner*—Caron Veynar

*Assistant Examiner*—George D Kirschbaum

(74) *Attorney, Agent, or Firm*—Alix, Yale & Ristas, LLP

(57) **CLAIM**

The ornamental design for the warning light assembly and flange, as shown and described.

**DESCRIPTION**

FIG. 1 is a front perspective view of a warning light assembly and flange showing my new design;

FIG. 2 is a front view of the warning light assembly of FIG. 1;

FIG. 3 is a rear view, partially illustrated in broken lines, of the warning light assembly of FIG. 1;

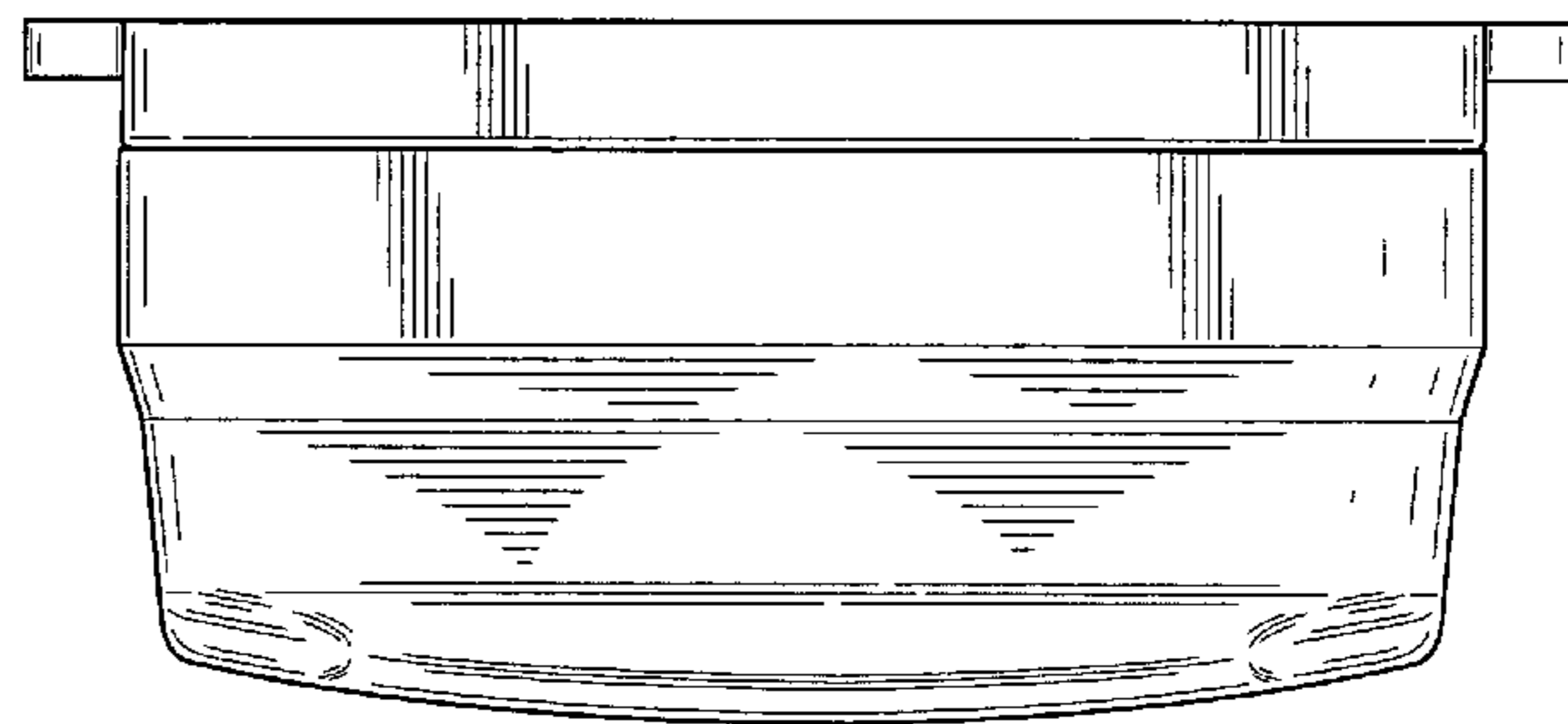
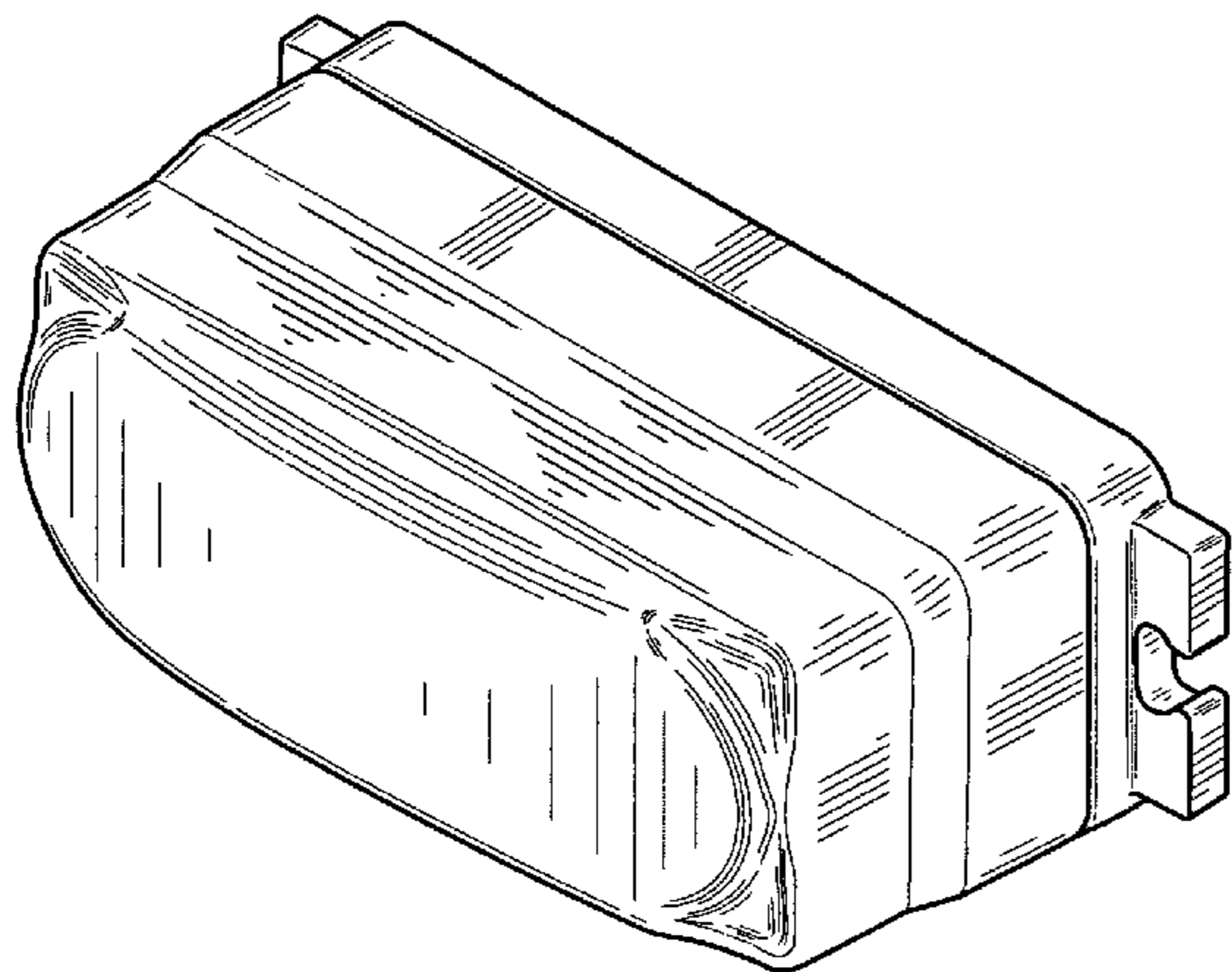
FIG. 4 is a top plan view of the warning light assembly of FIG. 1;

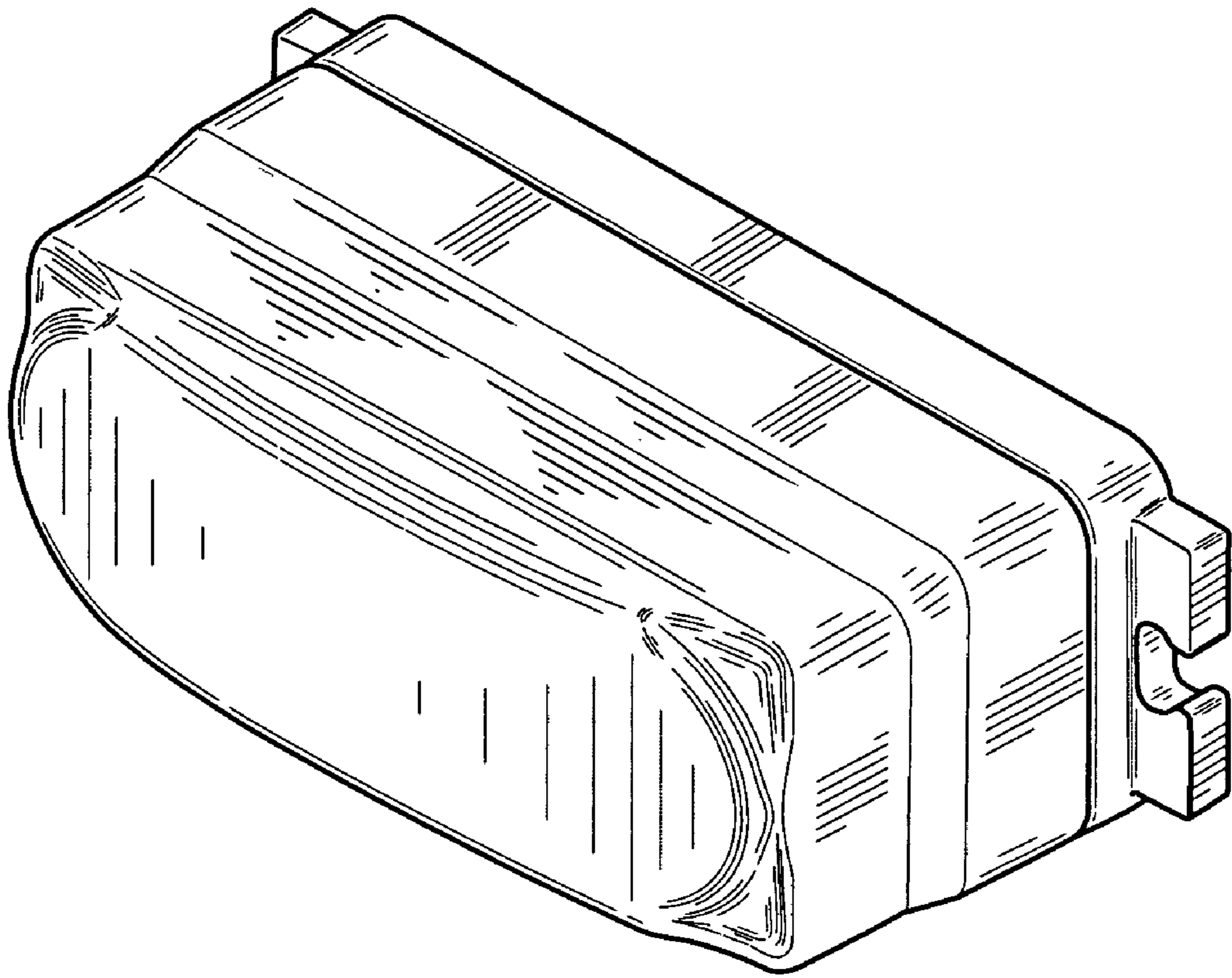
FIG. 5 is a bottom plan view of the warning light assembly in FIG. 1; and,

FIG. 6 is a left side view of the warning light assembly of FIG. 1, the opposite right side view being a mirror image thereof.

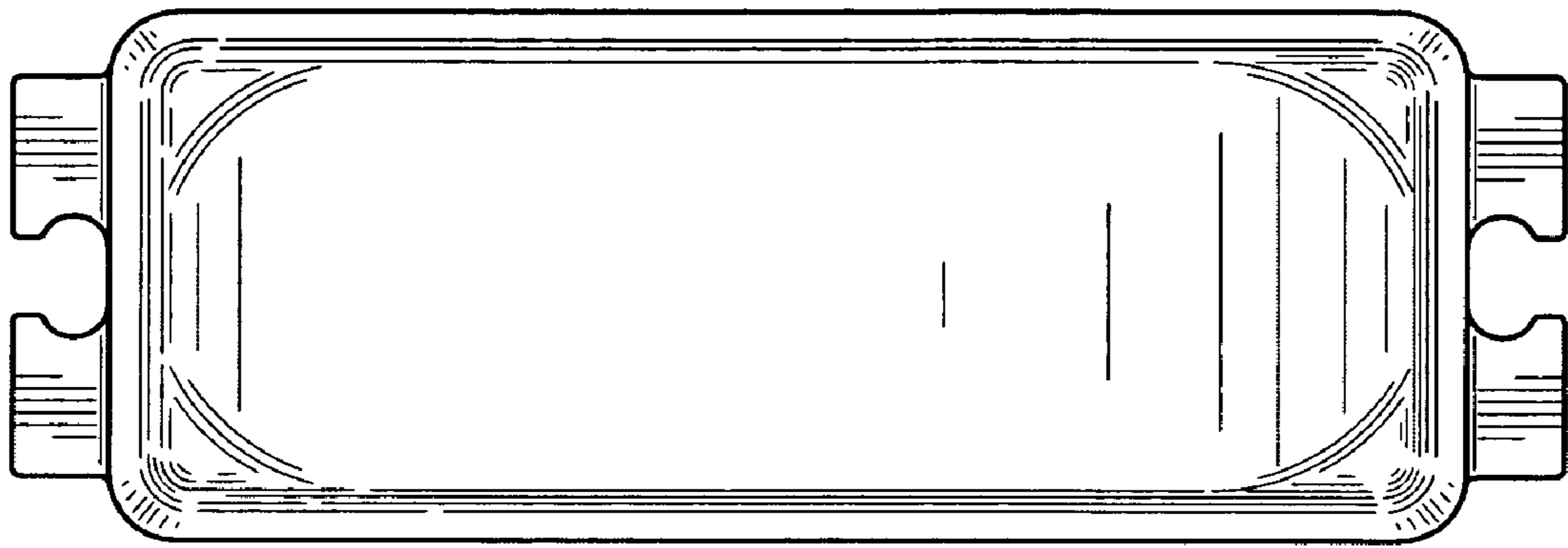
No claim is made to the portions shown in broken lines.

**1 Claim, 6 Drawing Sheets**

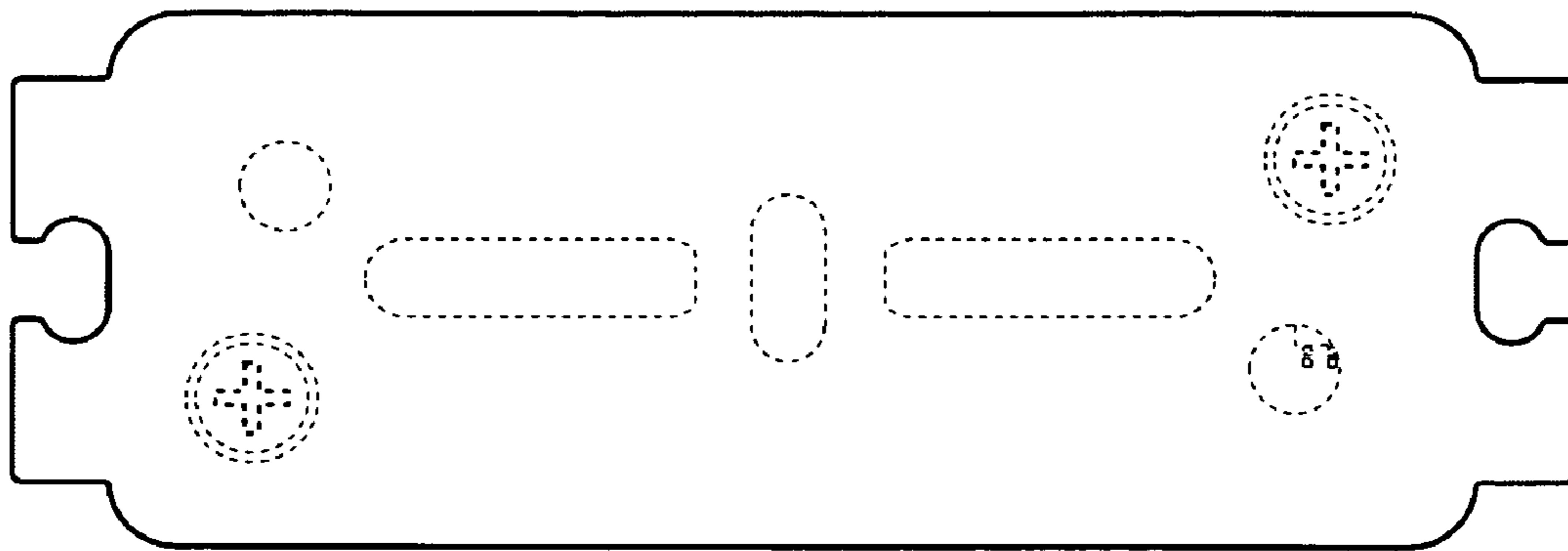




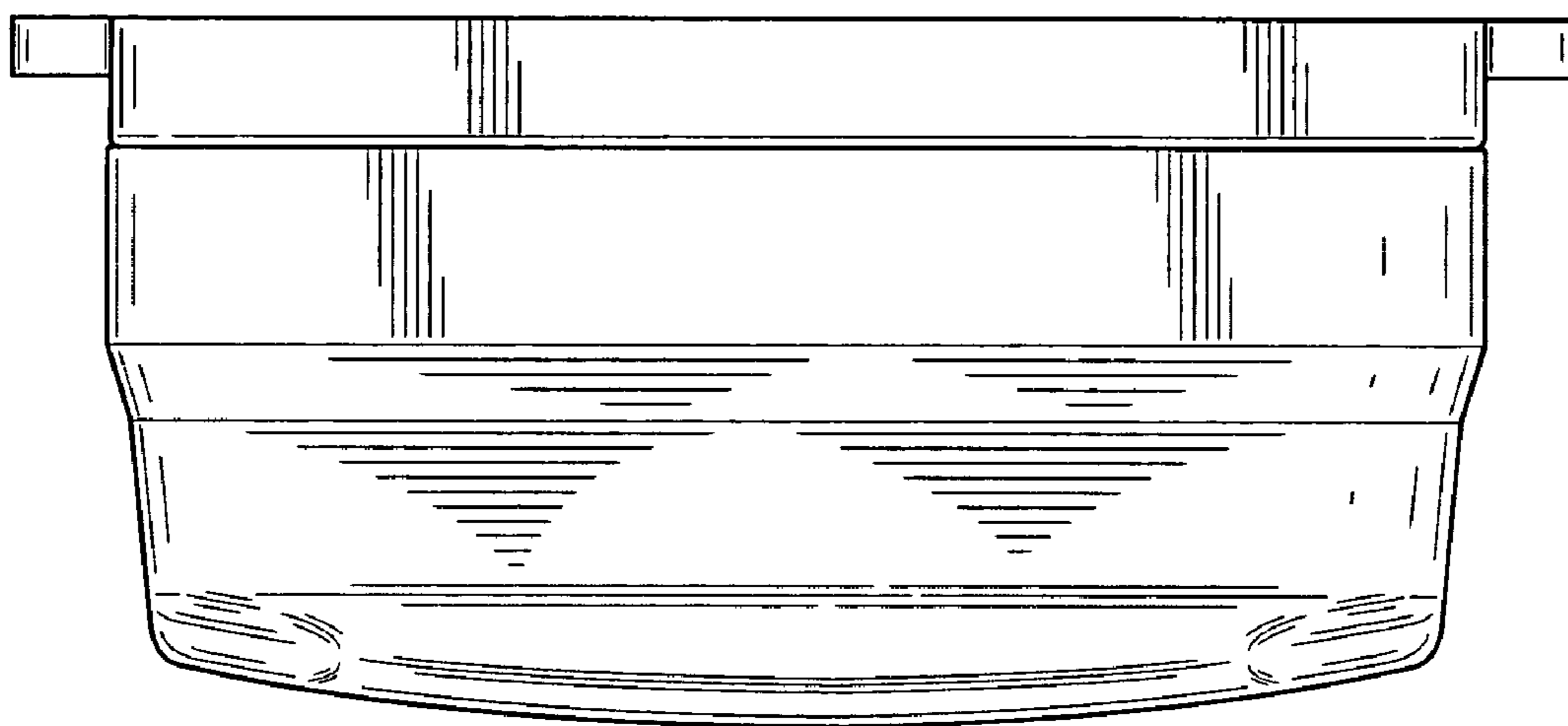
**FIG. 1**



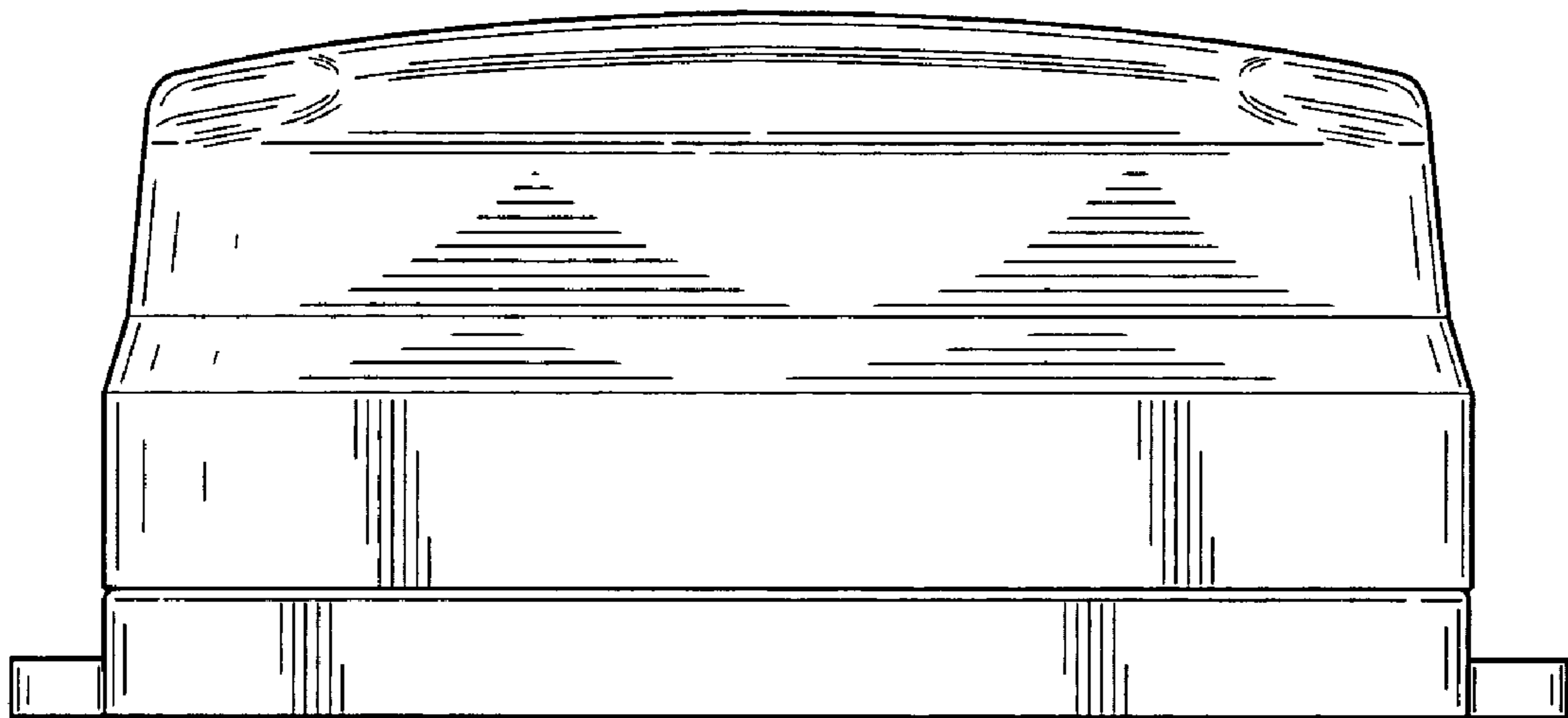
**FIG. 2**



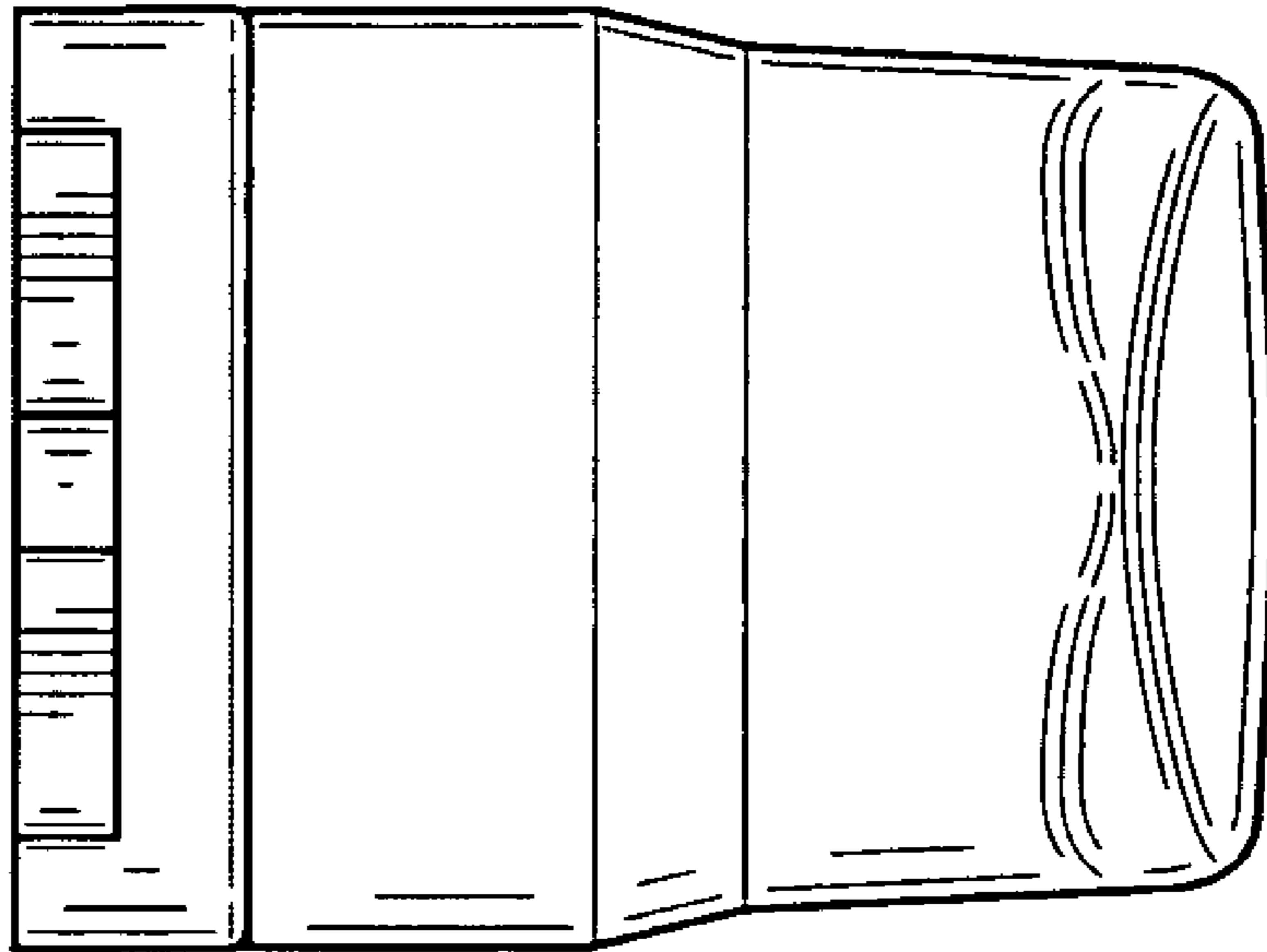
**FIG. 3**



**FIG. 4**



**FIG. 5**



**FIG. 6**