



(12) **United States Design Patent**
Wounder

(10) **Patent No.:** **US D600,580 S**
(45) **Date of Patent:** **** Sep. 22, 2009**

(54) **END CAP FOR CHROMATOGRAPHY COLUMN ASSEMBLY**

(75) Inventor: **Sven Wounder**, Uppsala (SE)

(73) Assignee: **GE Healthcare Bio-Sciences AB**, Uppsala (SE)

(**) Term: **14 Years**

(21) Appl. No.: **29/323,381**

(22) Filed: **Aug. 25, 2008**

(30) **Foreign Application Priority Data**

Feb. 28, 2008 (SE) 2008/0117

(51) **LOC (9) Cl.** **10-04**

(52) **U.S. Cl.** **D10/81**

(58) **Field of Classification Search** D10/81, D10/103; D24/224, 216; D9/435, 445, 452, D9/454; 210/198.2, 656, 402.02; 250/281-288, 250/427, 294, 292, 382, 384, 385.1; 422/102, 422/99, 58; 530/350, 412; 702/27

See application file for complete search history.

(56) **References Cited**

U.S. PATENT DOCUMENTS

D320,949 S * 10/1991 Kopf D10/81
D500,555 S * 1/2005 Hellstrom D10/81
D500,856 S * 1/2005 Hellstrom D10/81

* cited by examiner

Primary Examiner—Antoine D Davis

(74) *Attorney, Agent, or Firm*—Yonggang Ji

(57) **CLAIM**

The ornamental design for an end cap for a chromatography column assembly, as shown and described.

DESCRIPTION

FIG. 1 is a perspective view of the end cap for a chromatography column assembly showing our new design.

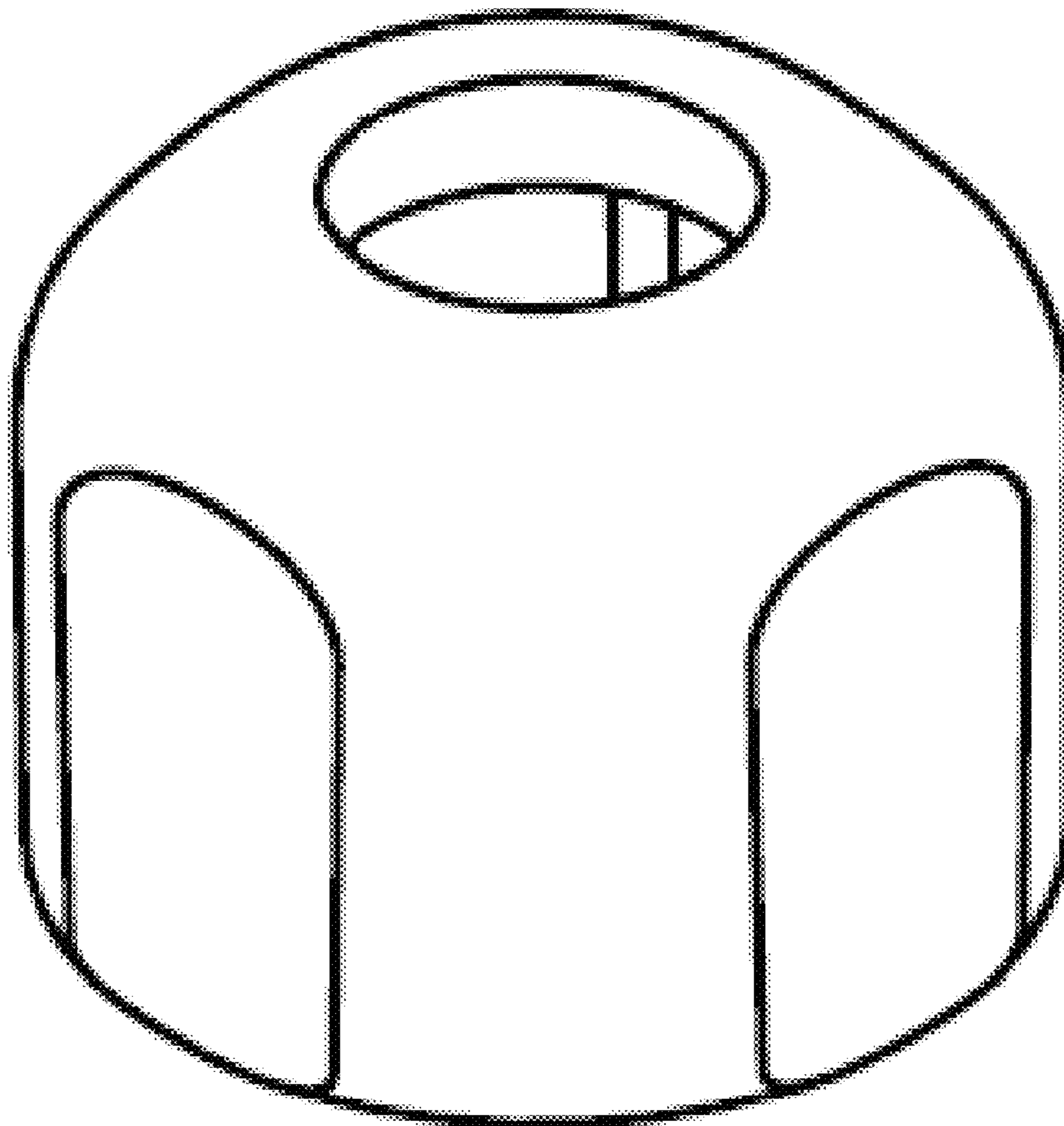
FIG. 2 is another perspective view of the end cap of FIG. 1.

FIG. 3 is a front view of the end cap of FIG. 1.

FIG. 4 is a top plan view of the end cap of FIG. 1; and,

FIG. 5 is a bottom plan view of the end cap of FIG. 1.

1 Claim, 1 Drawing Sheet



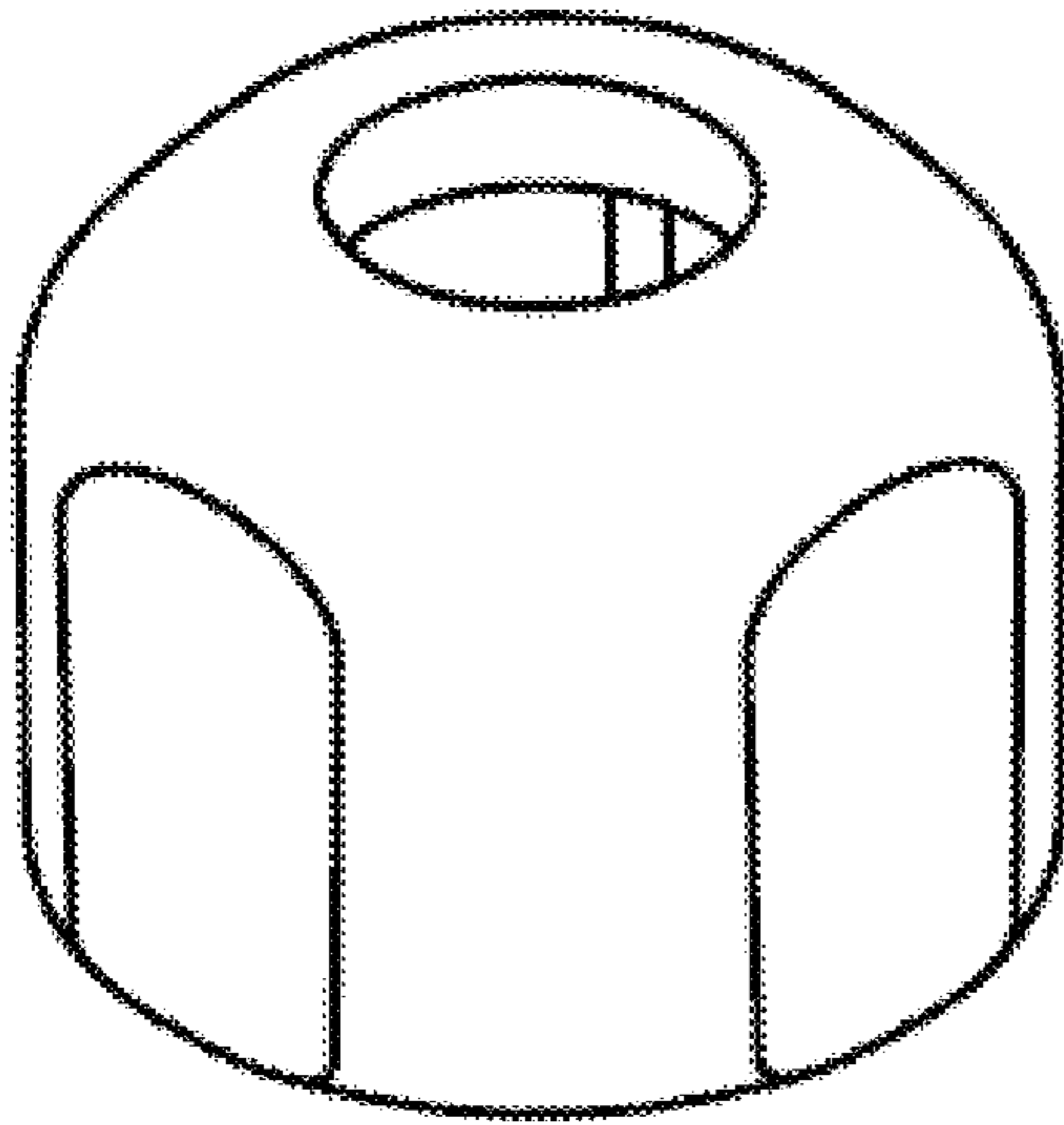


Fig. 1

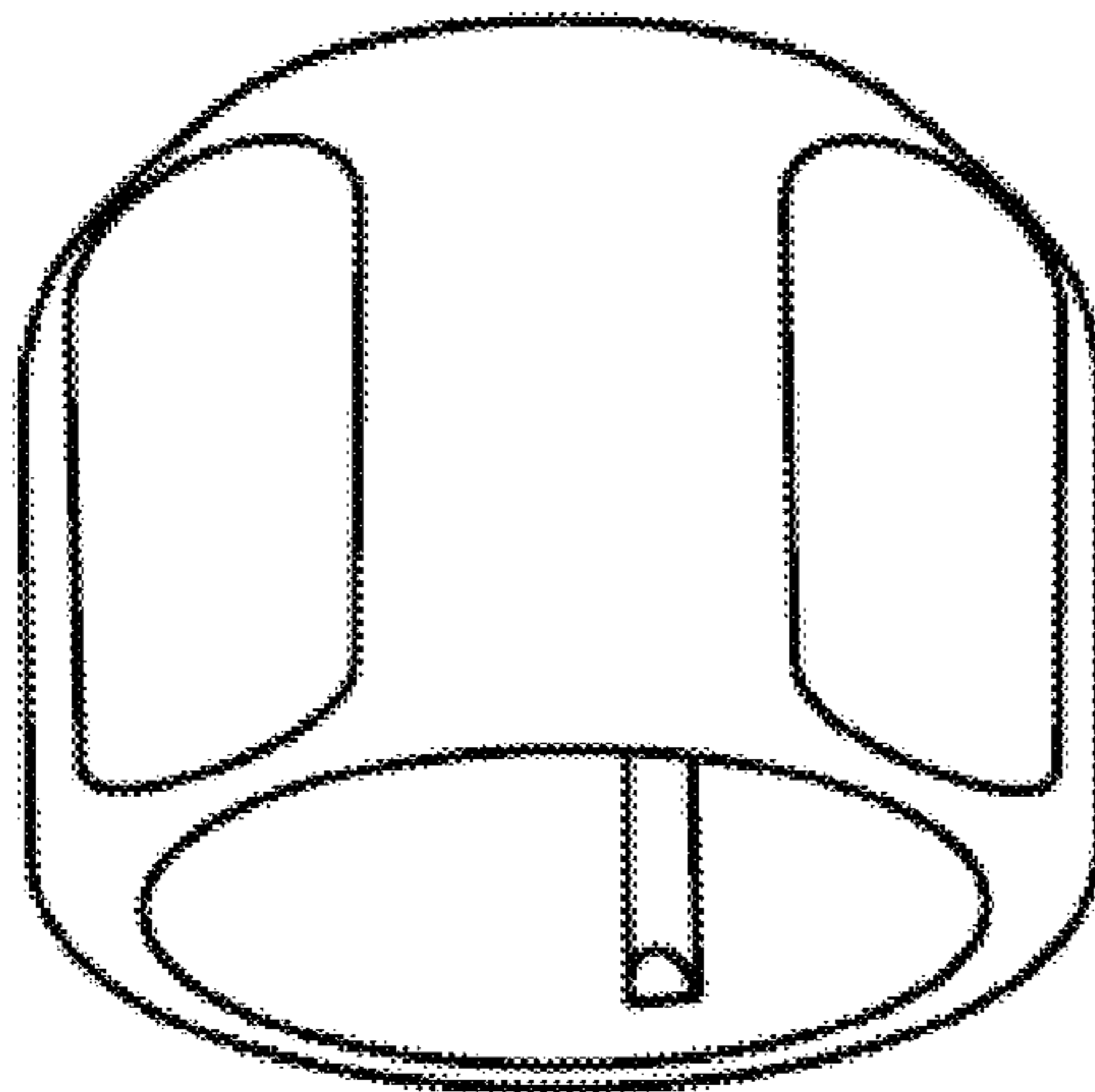


Fig. 2

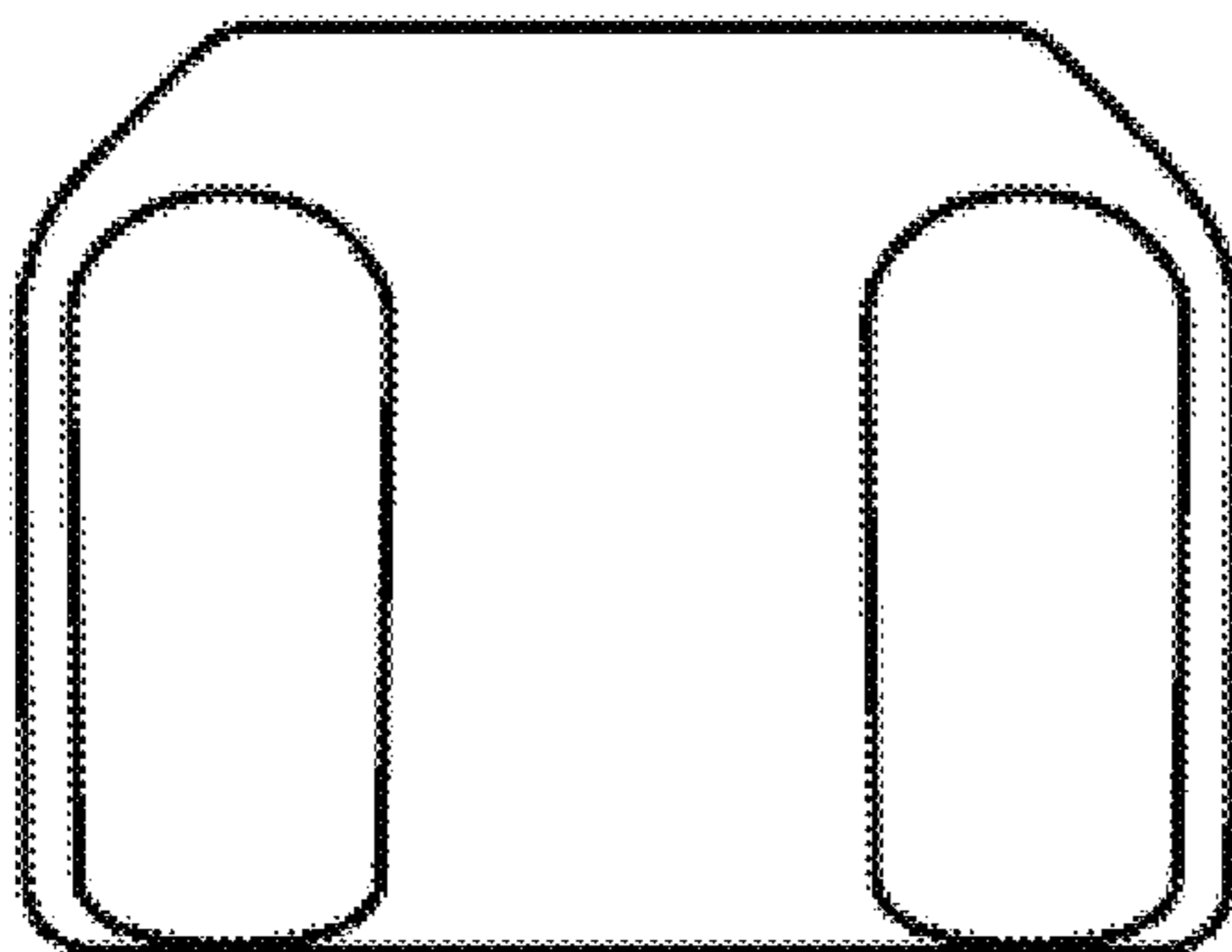


Fig. 3

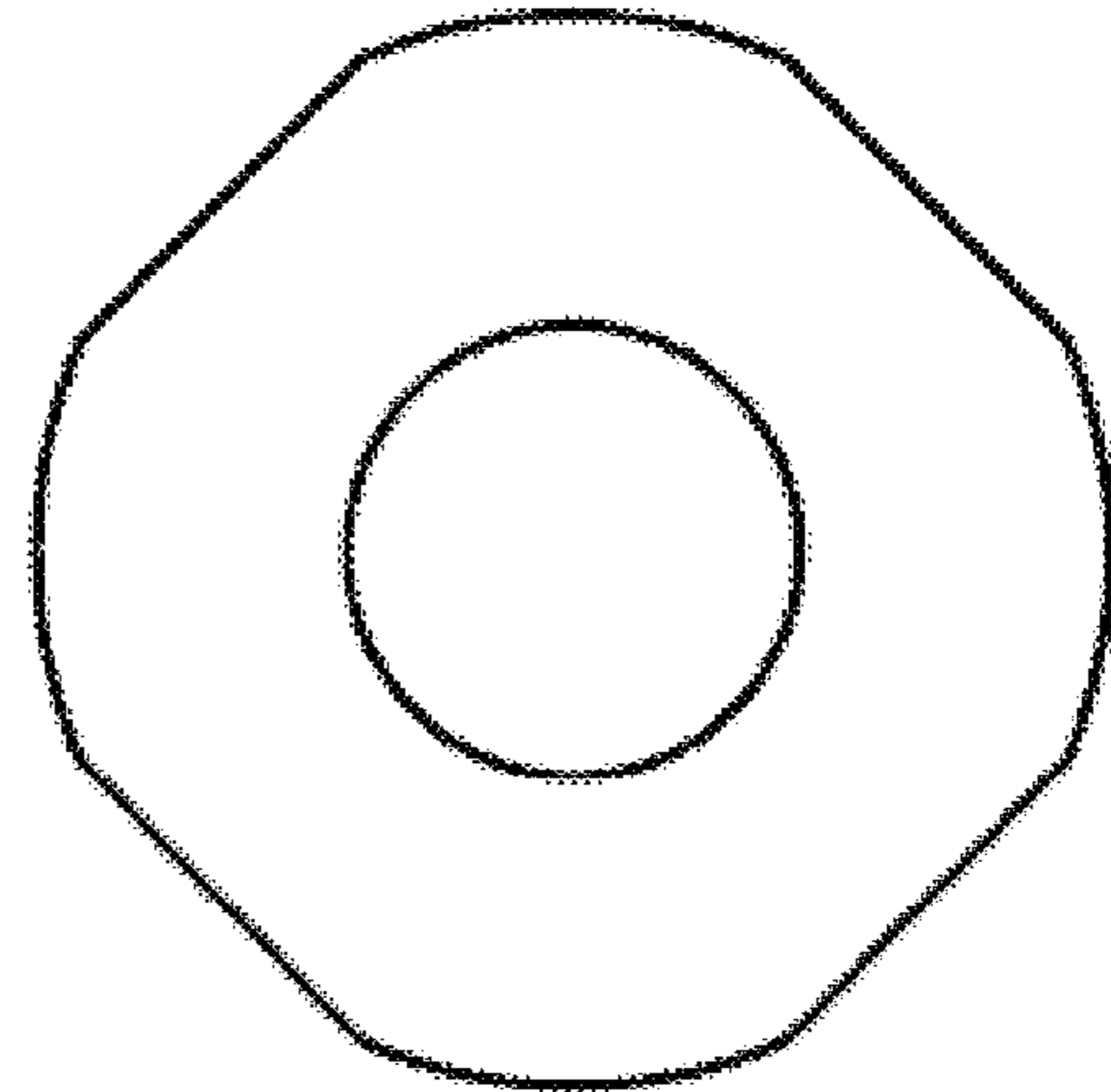


Fig. 4

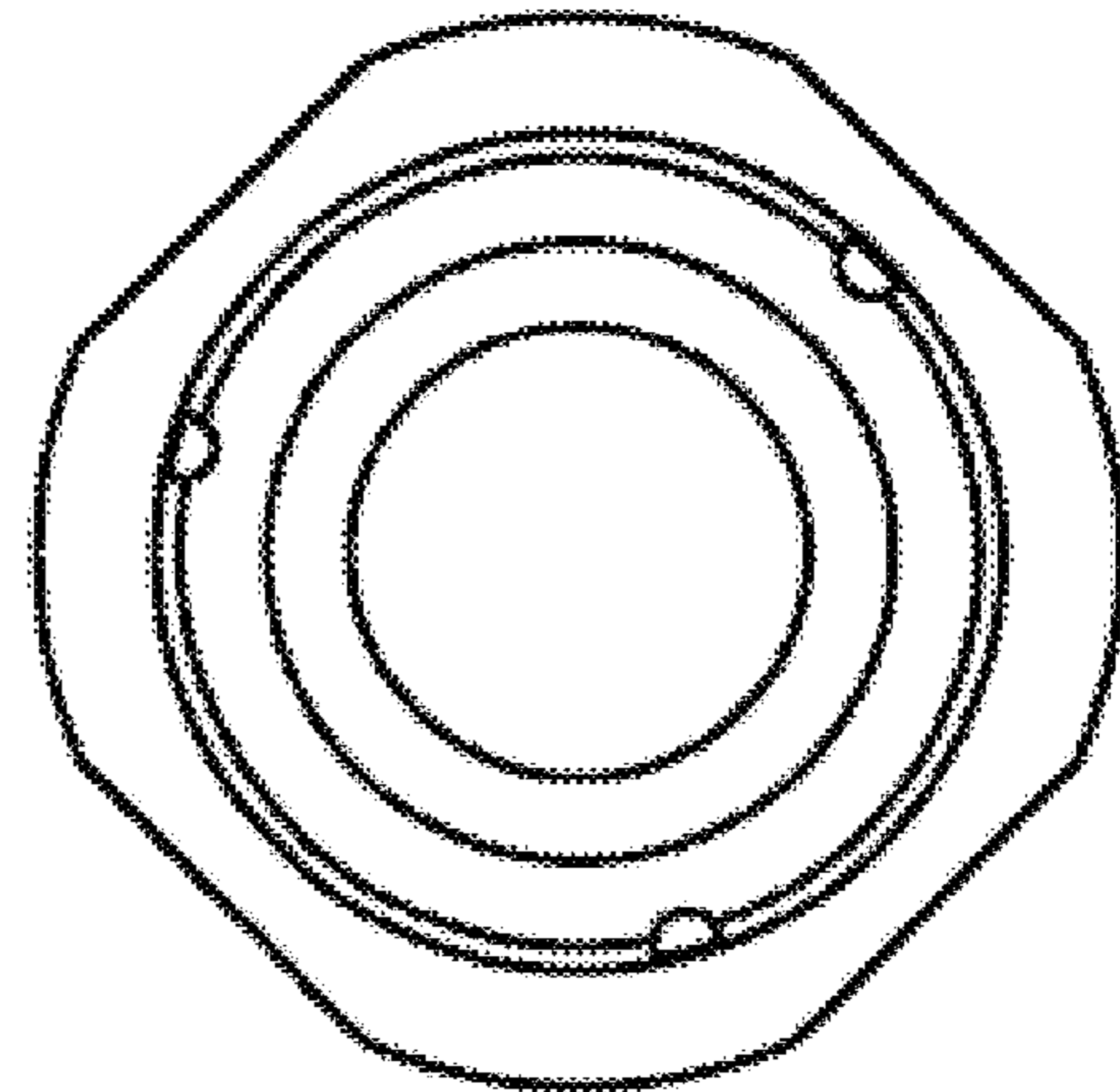


Fig. 5