



US00D600577S

(12) **United States Design Patent**
Lloyd et al.

(10) **Patent No.:** **US D600,577 S**

(45) **Date of Patent:** **** Sep. 22, 2009**

(54) **ELECTRICAL TESTER WITH DISPLAY SCREEN**

D472,827 S * 4/2003 Harju et al. D10/78

(75) Inventors: **Matthew Lloyd**, Bristol (GB); **Richard Cuthbert**, Bristol (GB)

(73) Assignee: **Global Design Solutions Limited**, Bristol (GB)

(**) Term: **14 Years**

(21) Appl. No.: **29/324,905**

(22) Filed: **Sep. 23, 2008**

(51) **LOC (9) Cl.** **10-04**

(52) **U.S. Cl.** **D10/79; D10/75**

(58) **Field of Classification Search** D10/75,
D10/78, 79; 324/539, 540, 620, 628, 542,
324/556; 379/21, 60, 66, 96

See application file for complete search history.

(56) **References Cited**

U.S. PATENT DOCUMENTS

4,314,383	A *	2/1982	Epstein	D10/78
4,536,705	A *	8/1985	Hayes	324/556
5,280,251	A	1/1994	Strangio		
5,436,554	A	7/1995	Decker, Jr.		
6,020,822	A *	2/2000	Marshall	324/556
6,356,084	B1 *	3/2002	Levine	324/556
6,437,580	B1 *	8/2002	Gale	324/555
6,538,452	B2 *	3/2003	Madsen et al.	324/542

OTHER PUBLICATIONS

Search Report dated Aug. 20, 2007 for Great Britain Application No. 0708329.8, 1 pg.

“Soco Cable Tester,” Roadie Tools.com, <http://roadietools.com/socotesterlg.html>, printed Aug. 17, 2007, 2 pgs.

* cited by examiner

Primary Examiner—Antoine D Davis

(74) *Attorney, Agent, or Firm*—Shumaker & Sieffert, P.A.

(57) **CLAIM**

The ornamental design for an electrical tester with display screen, as shown and described.

DESCRIPTION

FIG. 1 is a perspective view of the electrical tester that includes a display screen for displaying resistance values or other parameters associated with the electrical tester.

FIGS. 2 and 3 are respective side views of the electrical tester.

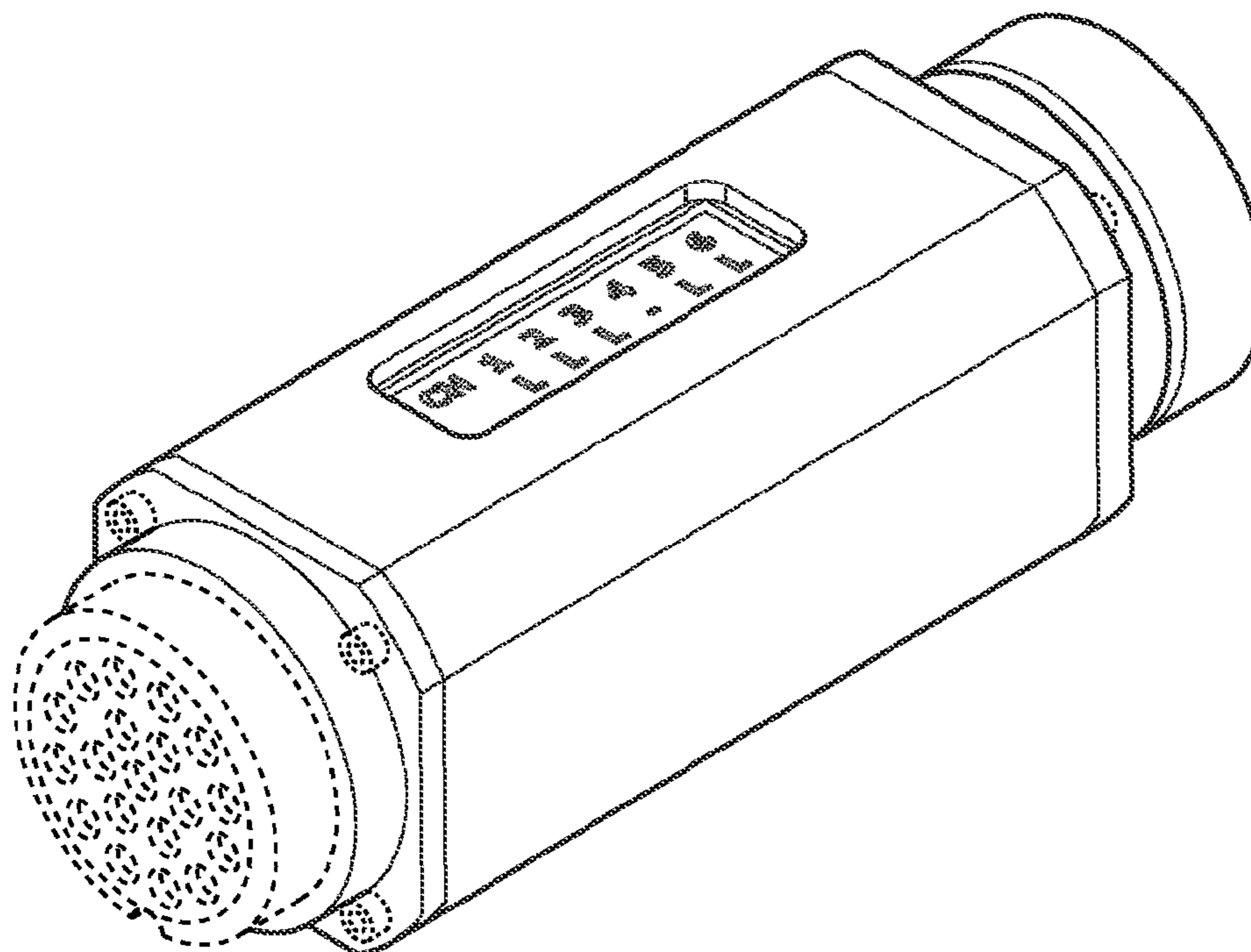
FIG. 4 is a bottom view of the electrical tester.

FIG. 5 is a top view the electrical tester, which illustrates the display screen; and,

FIGS. 6 and 7 are end views of the electrical tester illustrating exemplary connector elements.

The portions of the drawings of the electrical tester shown in broken line portions are for illustrative purposes and form no part of the claimed design.

1 Claim, 6 Drawing Sheets



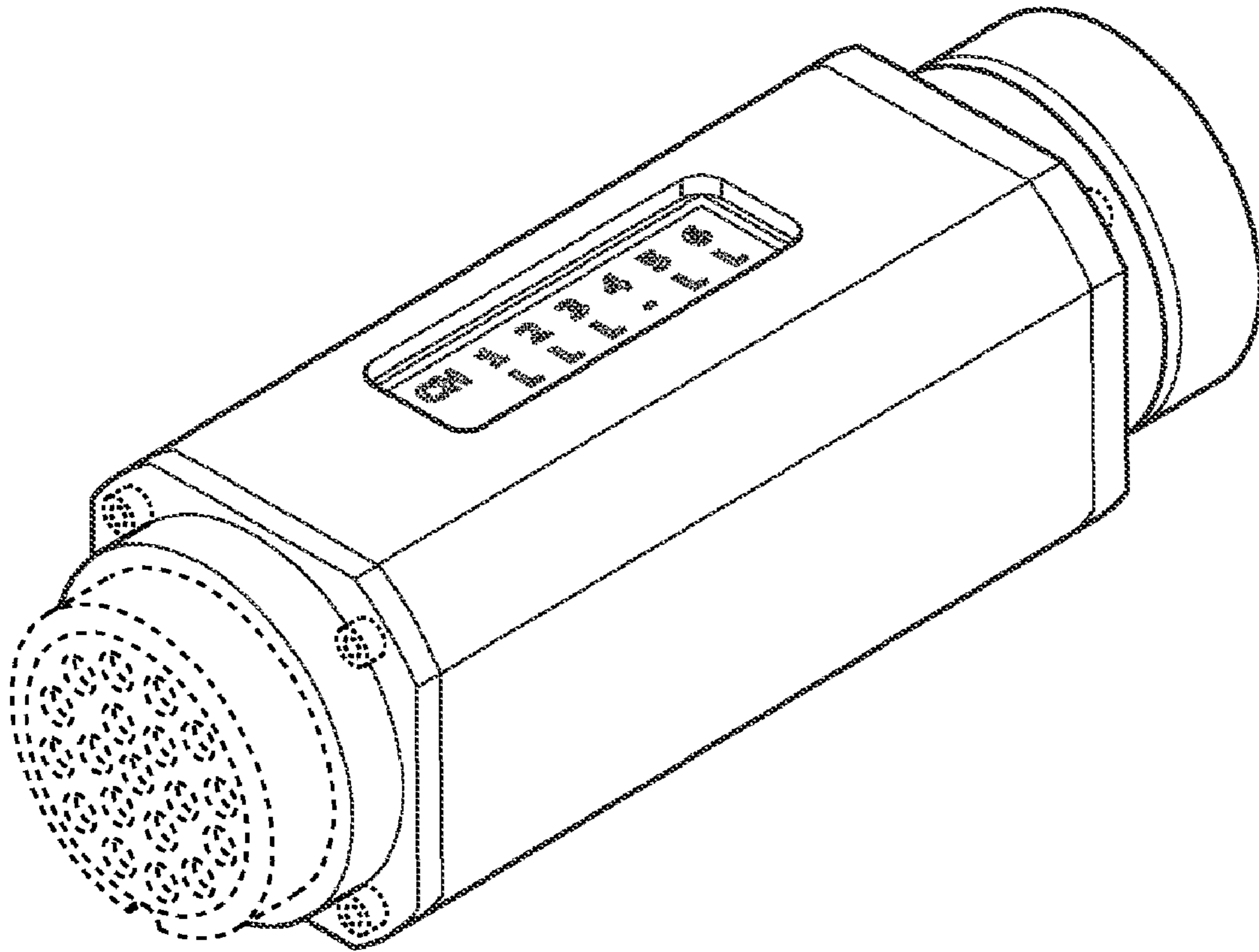


FIG. 1

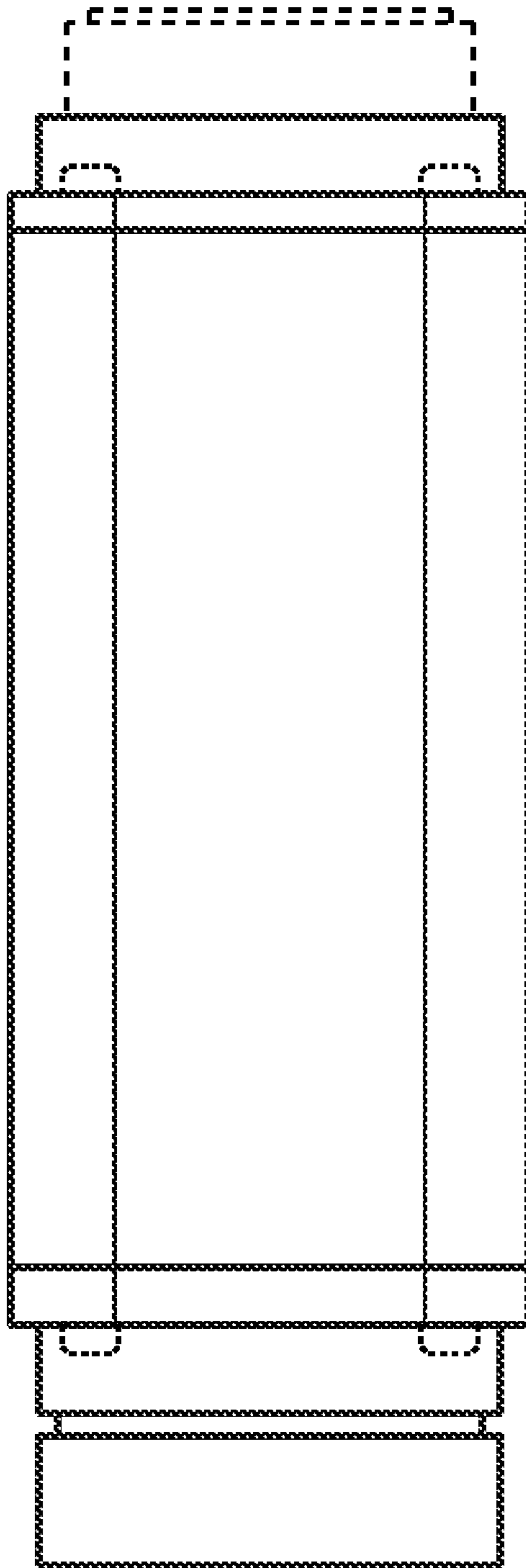


FIG. 2

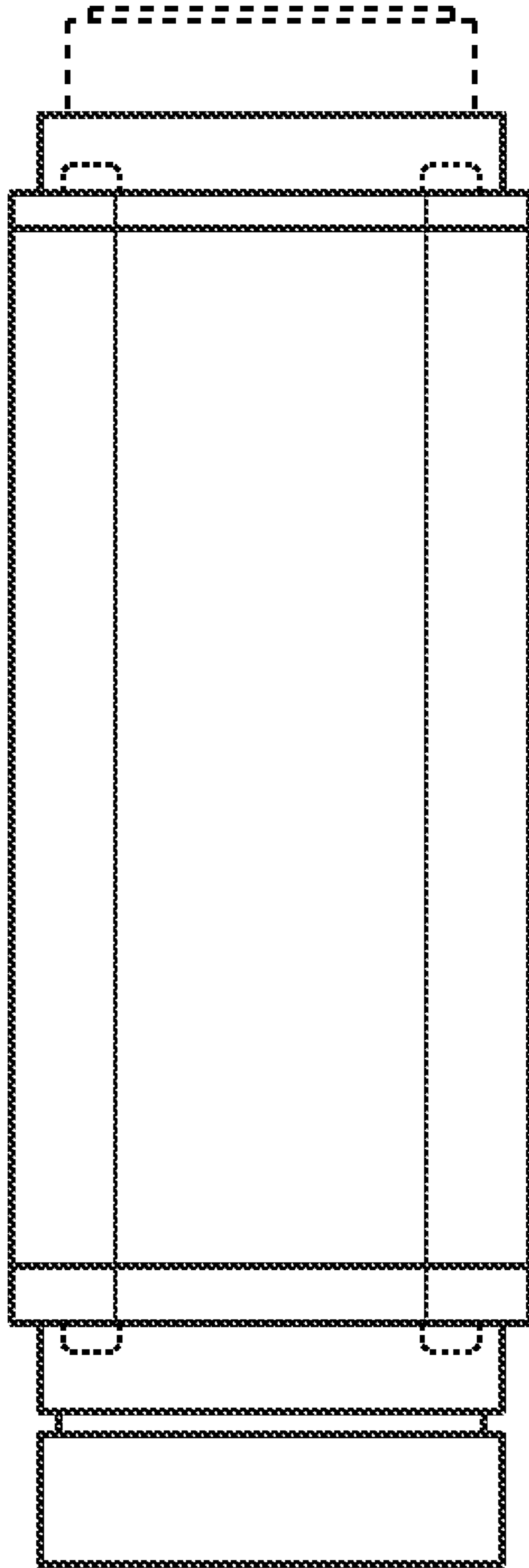


FIG. 3

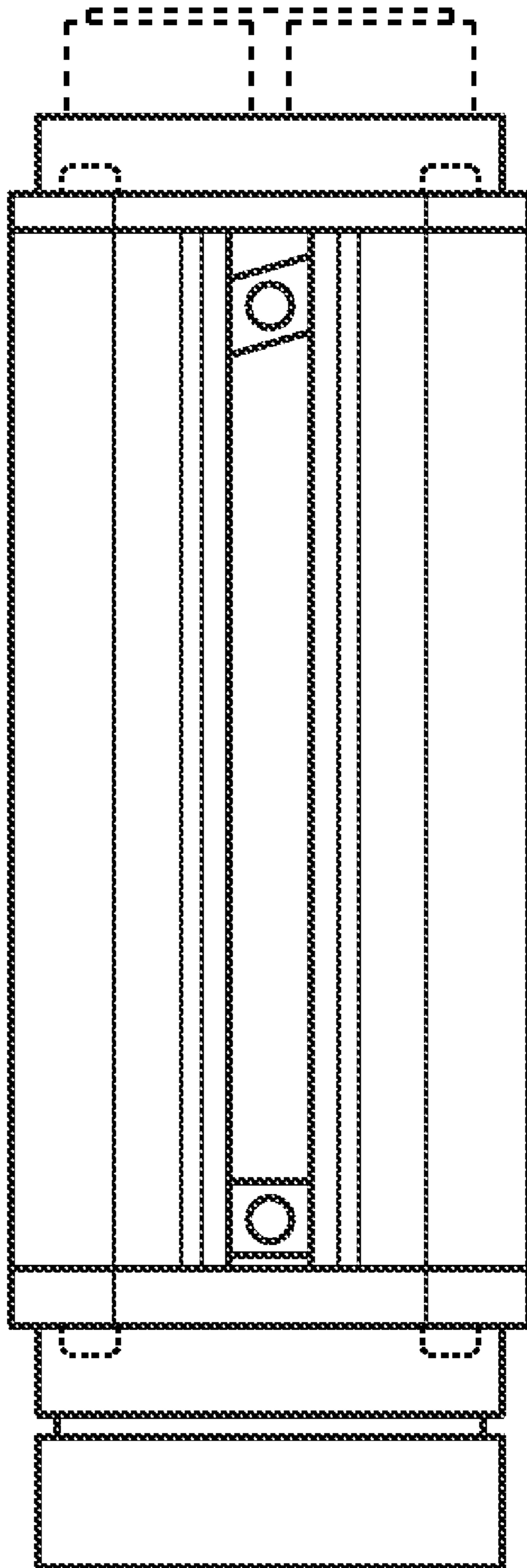


FIG. 4

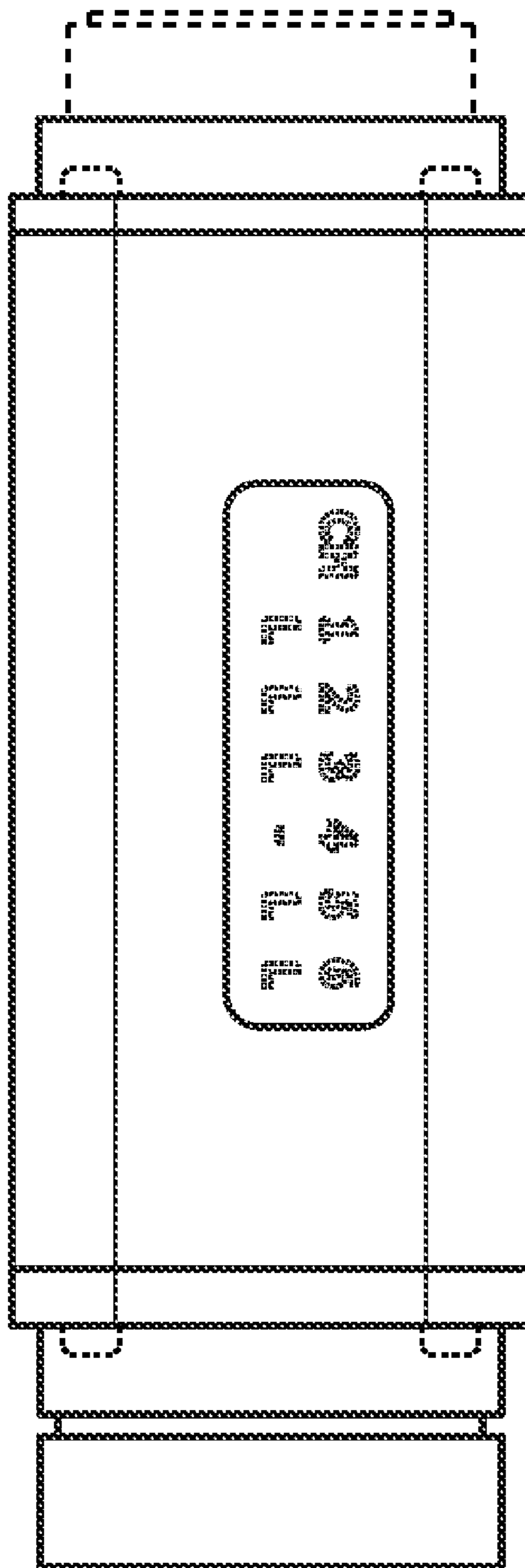


FIG. 5

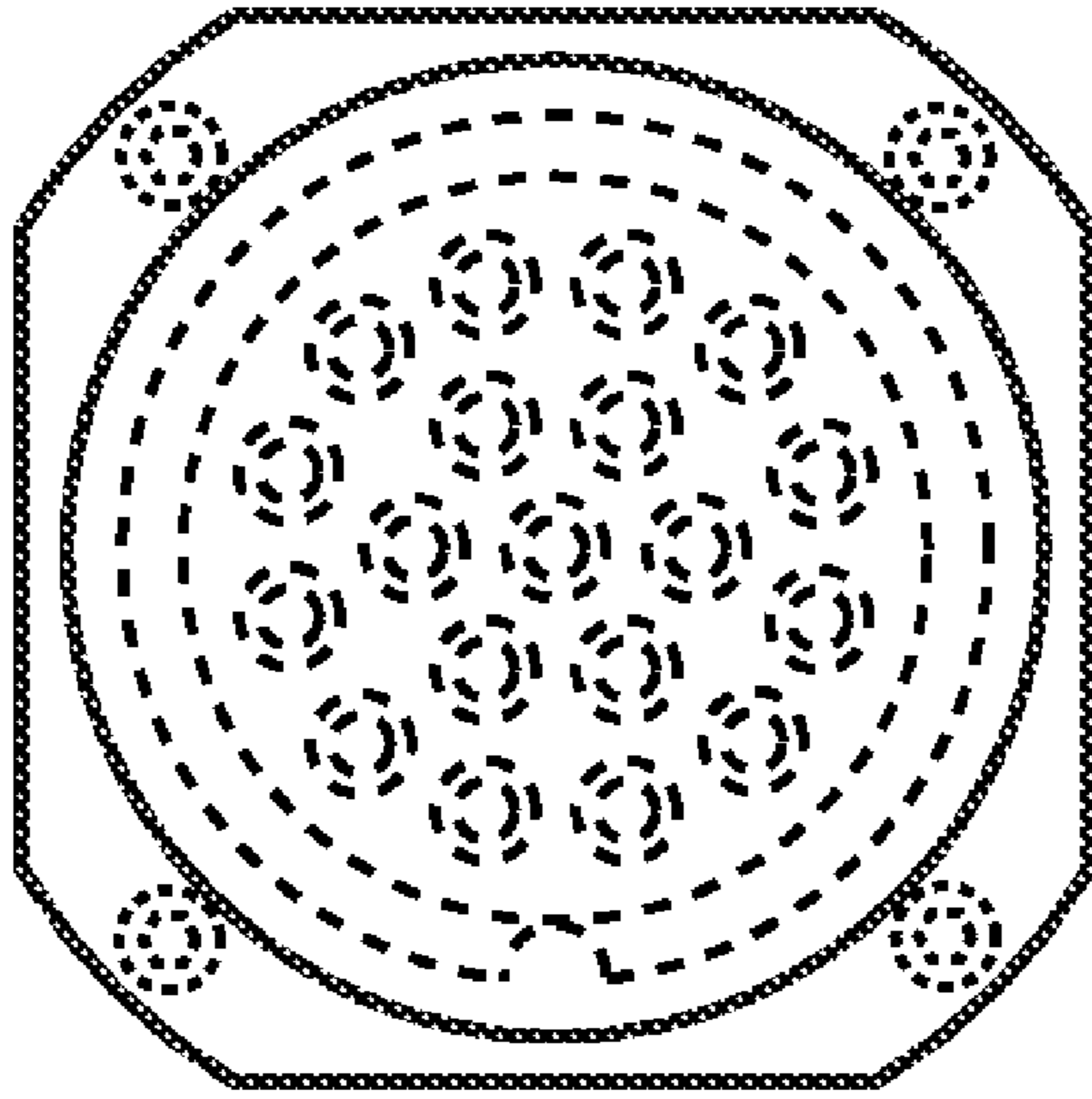


FIG. 6

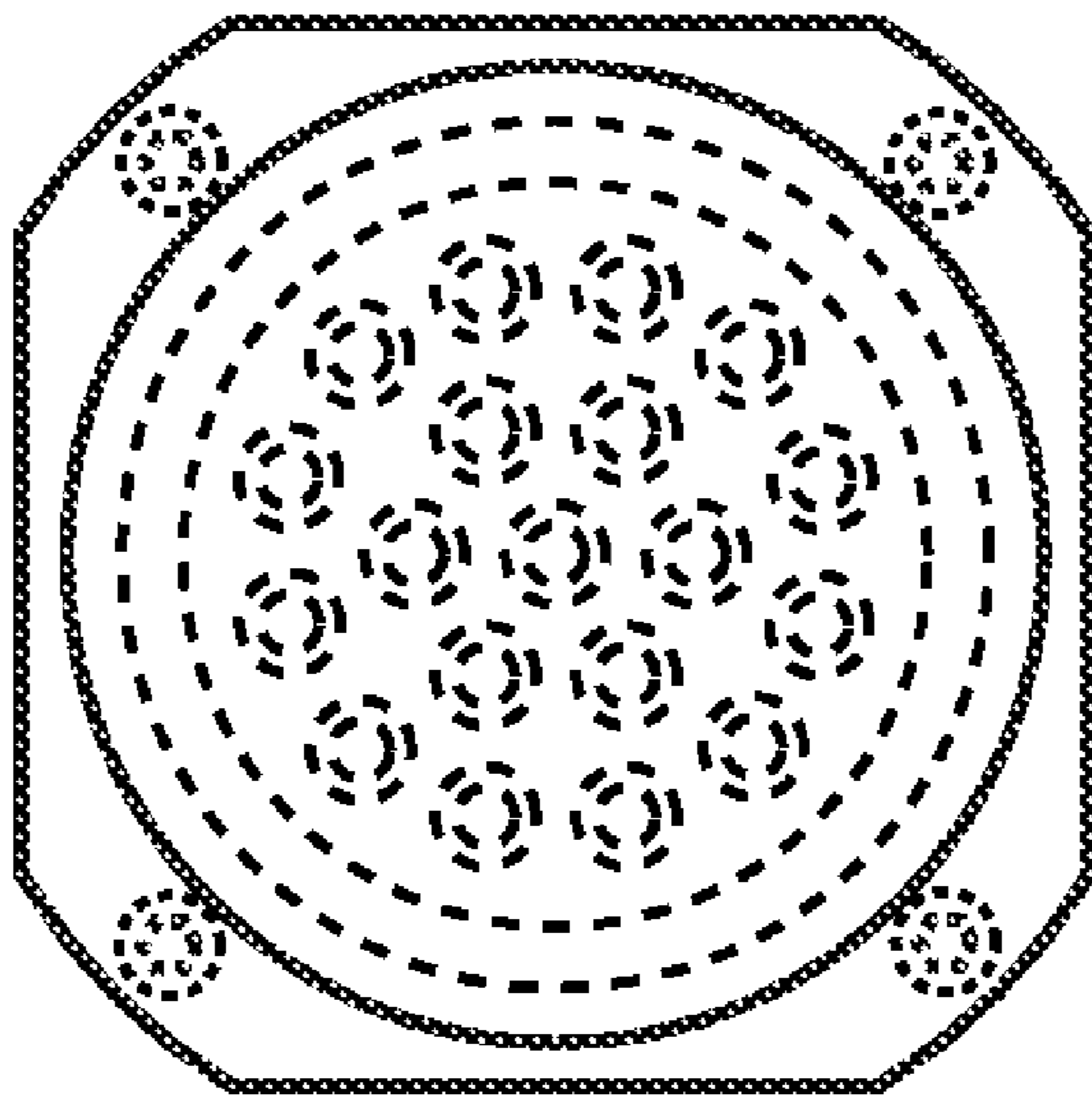


FIG. 7