

US00D600576S

(12) **United States Design Patent**
Marcoz

(10) **Patent No.:** **US D600,576 S**
(45) **Date of Patent:** **** Sep. 22, 2009**

(54) **CURRENT SENSOR**

(75) Inventor: **Benjamin Marcoz**,
Collonges-sous-Saleve (FR)
(73) Assignee: **Liaisons Electroniques-Mecaniques**
Lem SA, Plan-Les-Ouates (CH)
(**) Term: **14 Years**
(21) Appl. No.: **29/310,072**
(22) Filed: **Jul. 24, 2008**

(30) **Foreign Application Priority Data**

Jan. 25, 2008 (CH) 134730

(51) **LOC (9) Cl.** **10-04**
(52) **U.S. Cl.** **D10/79; D10/75**
(58) **Field of Classification Search** D10/75,
D10/78, 79; 324/117 H, 117 R
See application file for complete search history.

(56) **References Cited**

U.S. PATENT DOCUMENTS

D401,171 S * 11/1998 Cattaneo D10/78
6,005,383 A * 12/1999 Savary et al. 324/117 H
D420,297 S * 2/2000 Cattaneo D10/78
D494,078 S * 8/2004 Vuillermoz D10/75
D505,870 S * 6/2005 Vuillermoz D10/75
D506,153 S * 6/2005 Morel D10/78
D510,881 S * 10/2005 Morel D10/78
D511,112 S * 11/2005 Takada D10/75
2008/0048642 A1 * 2/2008 Aratani et al. 324/117 H

* cited by examiner

Primary Examiner—Antoine D Davis
(74) *Attorney, Agent, or Firm*—Baker & Daniels LLP

(57) **CLAIM**

The ornamental design for a current sensor, as shown and described.

DESCRIPTION

FIG. 1 is an end view of the first embodiment;
FIG. 2 is a top view of the first embodiment;

FIG. 3 is a side plan view of the first embodiment;
FIG. 4 is a bottom plan view of the first embodiment;
FIG. 5 is an end view opposite to that of FIG. 1;
FIG. 6 is a side perspective view of the first embodiment;
FIG. 7 is a side perspective view taken from the same side as shown in FIG. 3;
FIG. 8 is an end view of the second embodiment;
FIG. 9 is a top view of the second embodiment;
FIG. 10 is a side plan view of the second embodiment;
FIG. 11 is a bottom plan view of the second embodiment;
FIG. 12 is an end view opposite to that of FIG. 8;
FIG. 13 is a side perspective view of the second embodiment;
FIG. 14 is a side perspective view taken from the same side as shown in FIG. 10;
FIG. 15 is an end view of the third embodiment;
FIG. 16 is a top view of the third embodiment;
FIG. 17 is a side plan view of the third embodiment;
FIG. 18 is a bottom plan view of the third embodiment;
FIG. 19 is an end view opposite to that of FIG. 15;
FIG. 20 is a side perspective view of the third embodiment;
FIG. 21 is a side perspective view taken from the same side as shown in FIG. 17;
FIG. 22 is an end view of the fourth embodiment;
FIG. 23 is a top view of the fourth embodiment;
FIG. 24 is a side plan view of the fourth embodiment;
FIG. 25 is a bottom plan view of the fourth embodiment;
FIG. 26 is an end view opposite to that of FIG. 22;
FIG. 27 is a side perspective view of the fourth embodiment;
FIG. 28 is a side perspective view taken from the same side as shown in FIG. 24;
FIG. 29 is an end view of the fifth embodiment;
FIG. 30 is a top view of the fifth embodiment;
FIG. 31 is a side plan view of the fifth embodiment;
FIG. 32 is a bottom plan view of the fifth embodiment;
FIG. 33 is an end view opposite to that of FIG. 29;

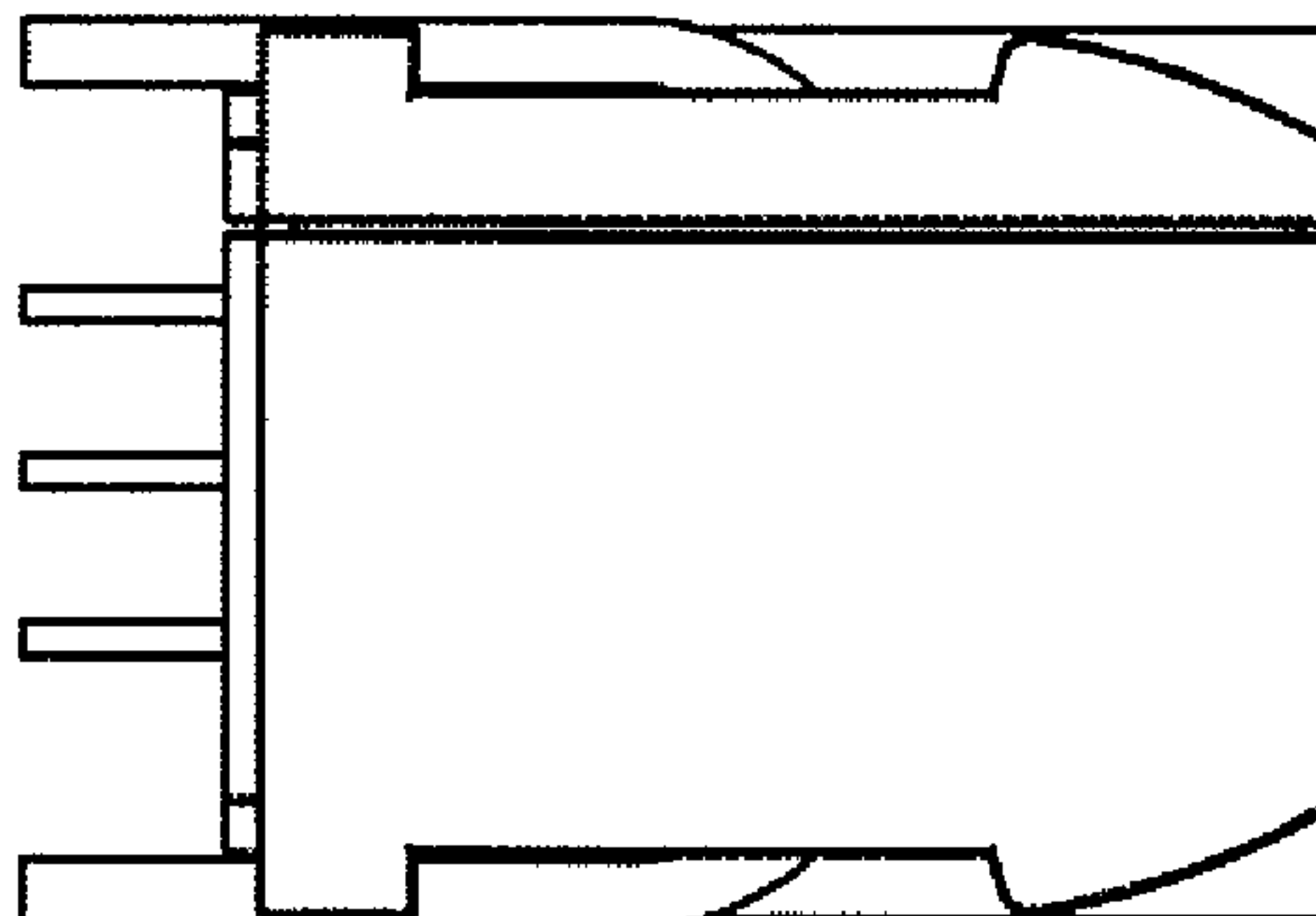


FIG. 34 is a side perspective view of the fifth embodiment;
FIG. 35 is a side perspective view taken from the same side as shown in FIG. 32;
FIG. 36 is an end view of the sixth embodiment;
FIG. 37 is a top view of the sixth embodiment;
FIG. 38 is a side plan view of the sixth embodiment;
FIG. 39 is a bottom plan view of the sixth embodiment;
FIG. 40 is an end view opposite to that of FIG. 36;
FIG. 41 is a side perspective view of the sixth embodiment;
FIG. 42 is a side perspective view taken from the same side as shown in FIG. 39;
FIG. 43 is an end view of the seventh embodiment;
FIG. 44 is a top view of the seventh embodiment;
FIG. 45 is a side plan view of the seventh embodiment;
FIG. 46 is a bottom plan view of the seventh embodiment;

FIG. 47 is an end view opposite to that of FIG. 43;
FIG. 48 is a side perspective view of the seventh embodiment;
FIG. 49 is a side perspective view taken from the same side as shown in FIG. 46;
FIG. 50 is an end view of the eighth embodiment;
FIG. 51 is a top view of the eighth embodiment;
FIG. 52 is a side plan view of the eighth embodiment;
FIG. 53 is a bottom plan view of the eighth embodiment;
FIG. 54 is an end view opposite to that of FIG. 50;
FIG. 55 is a side perspective view of the eighth embodiment;
and,
FIG. 56 is a side perspective view taken from the same side as shown in FIG. 53.

1 Claim, 8 Drawing Sheets

FIG. 1

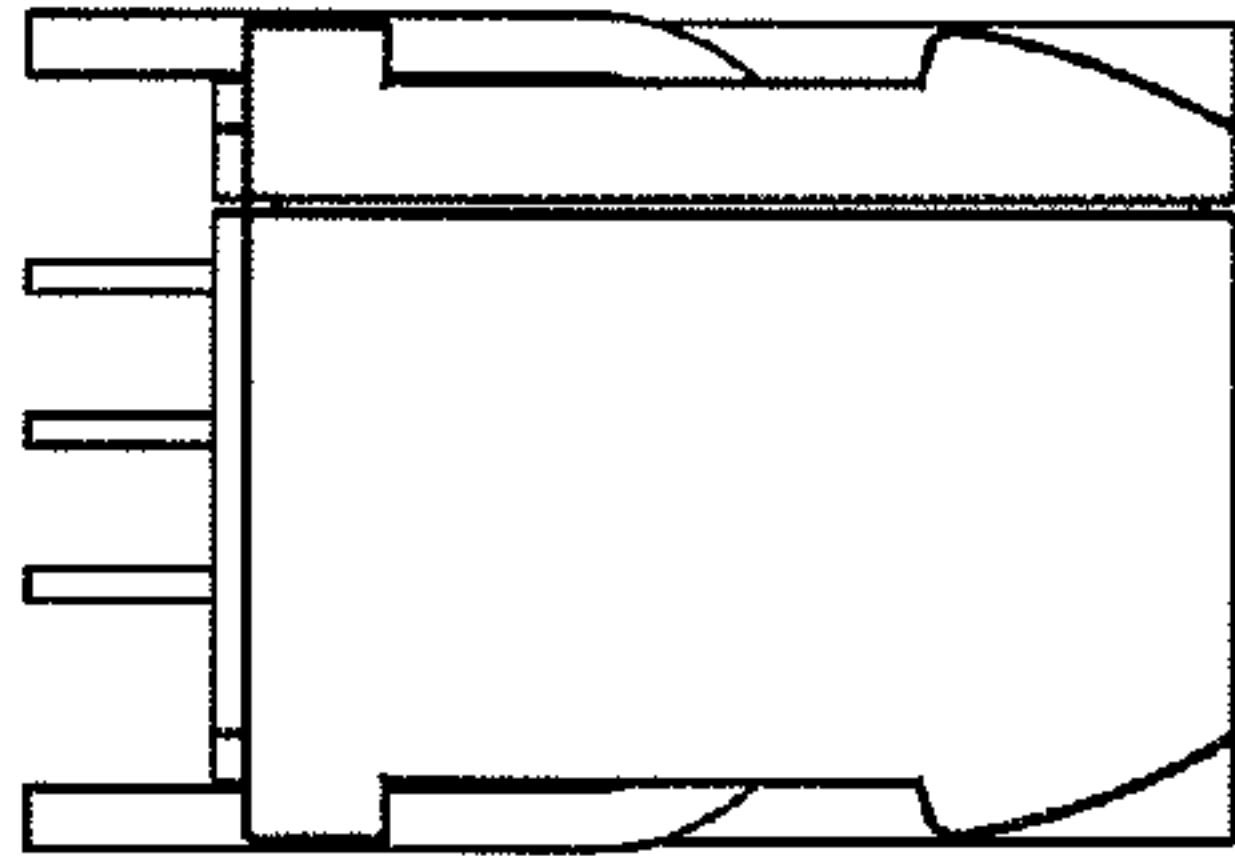


FIG. 2

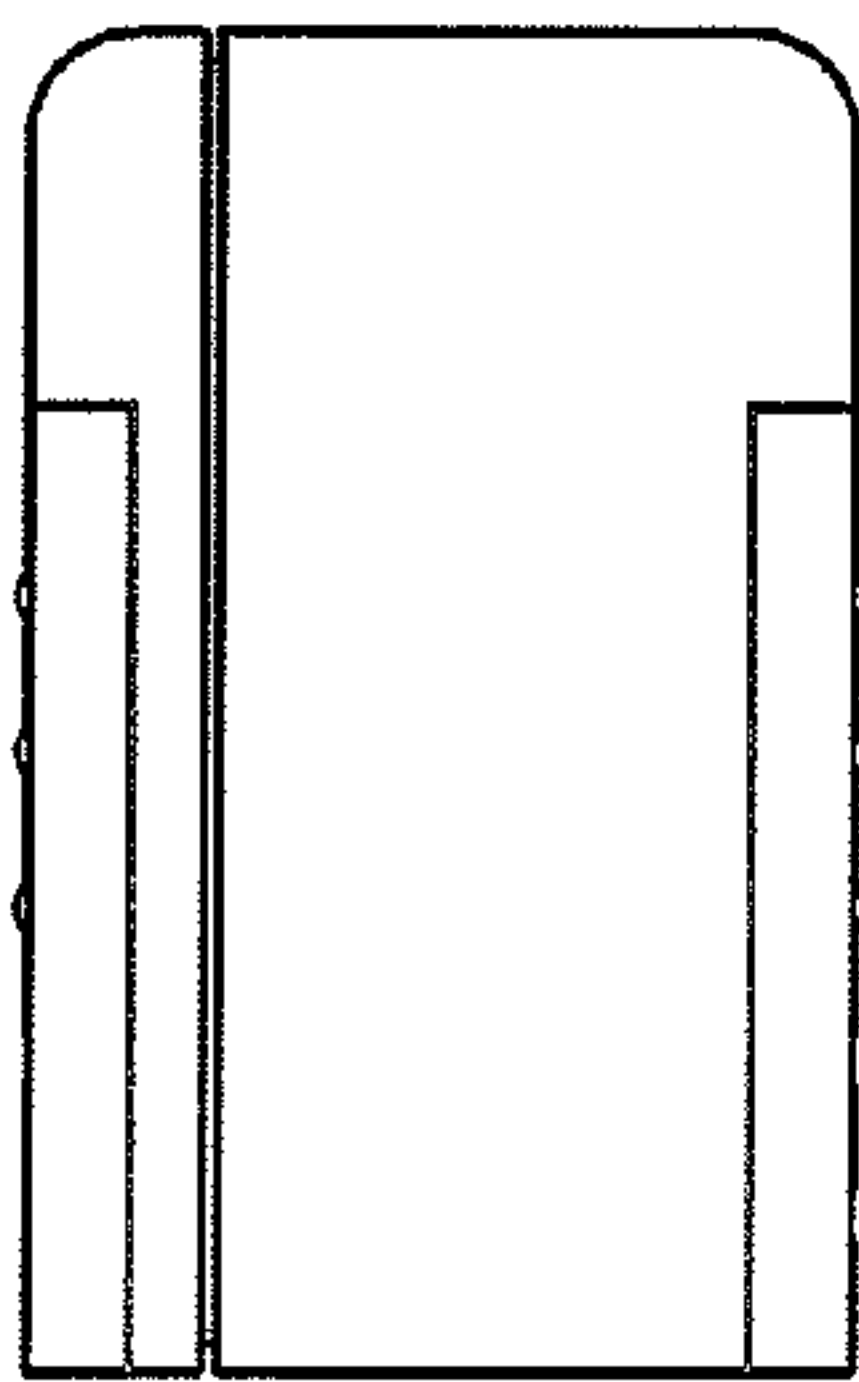


FIG. 3

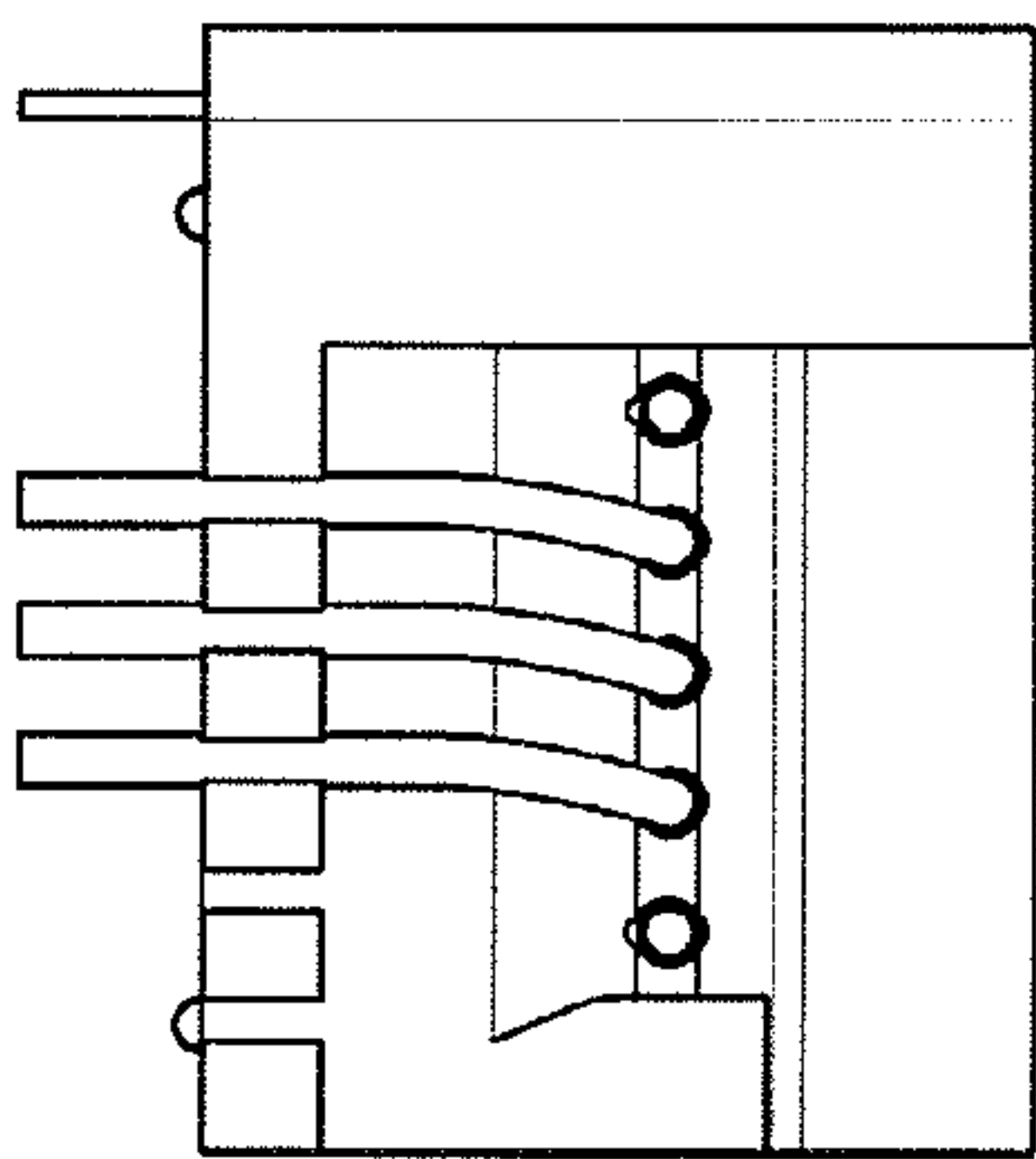


FIG. 4

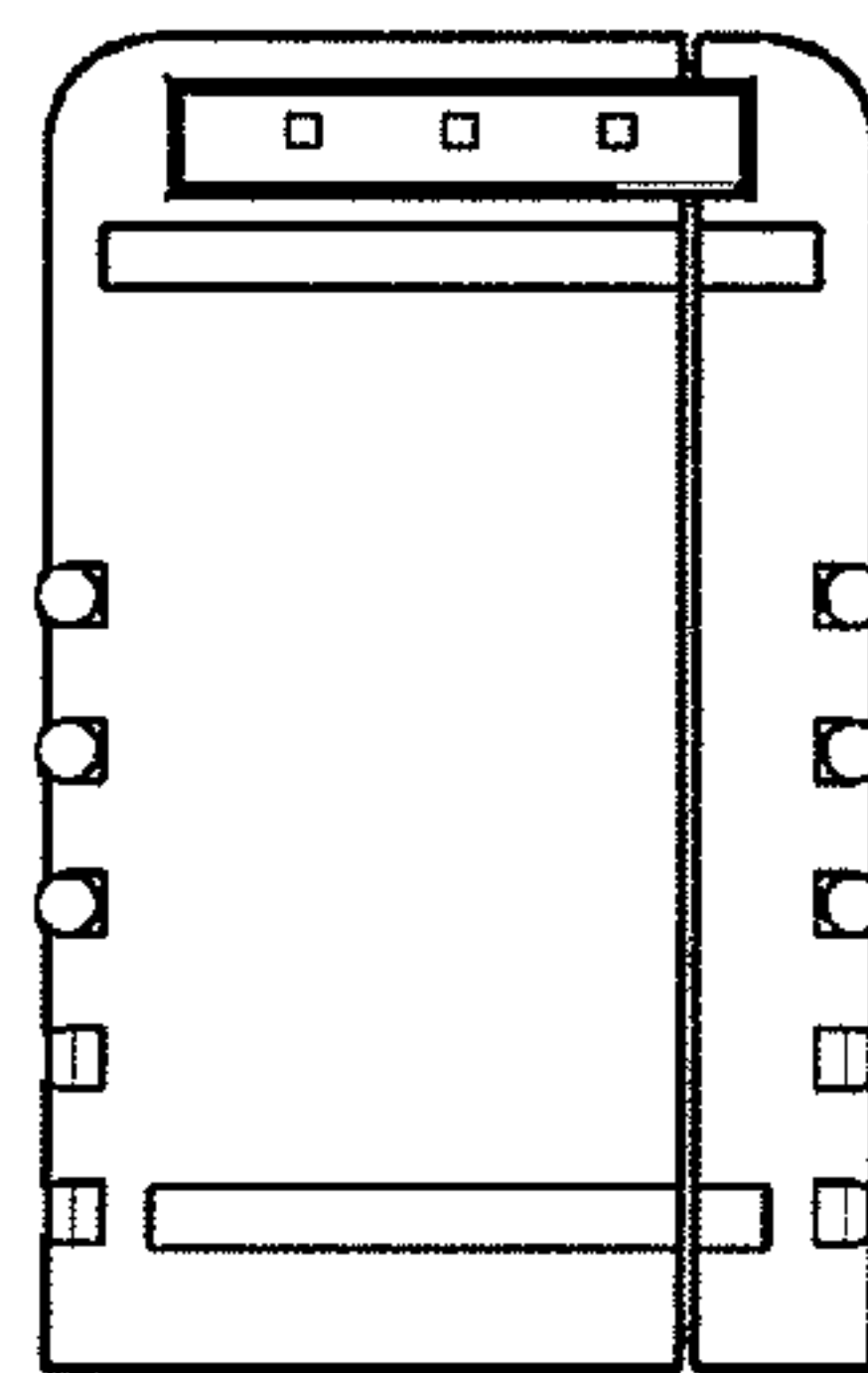


FIG. 5

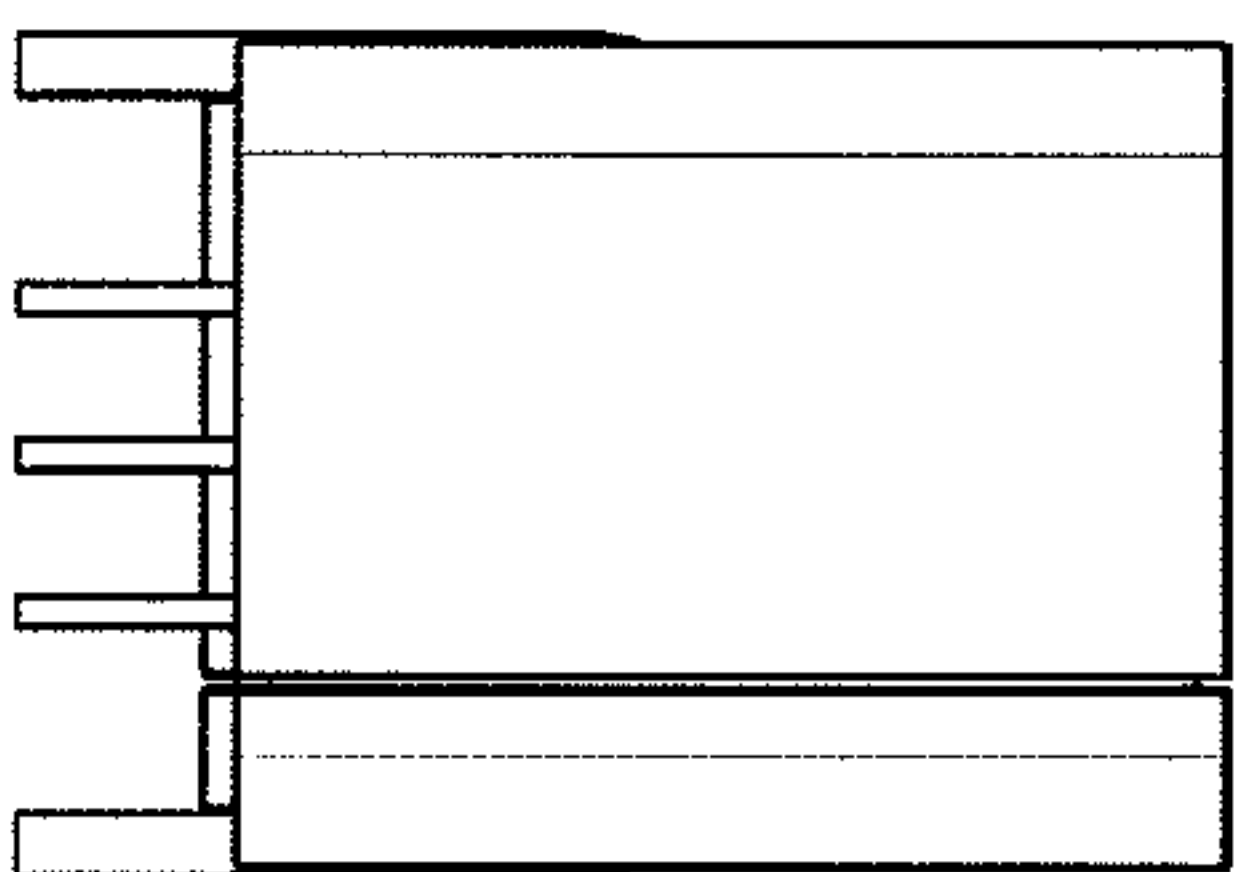


FIG. 6

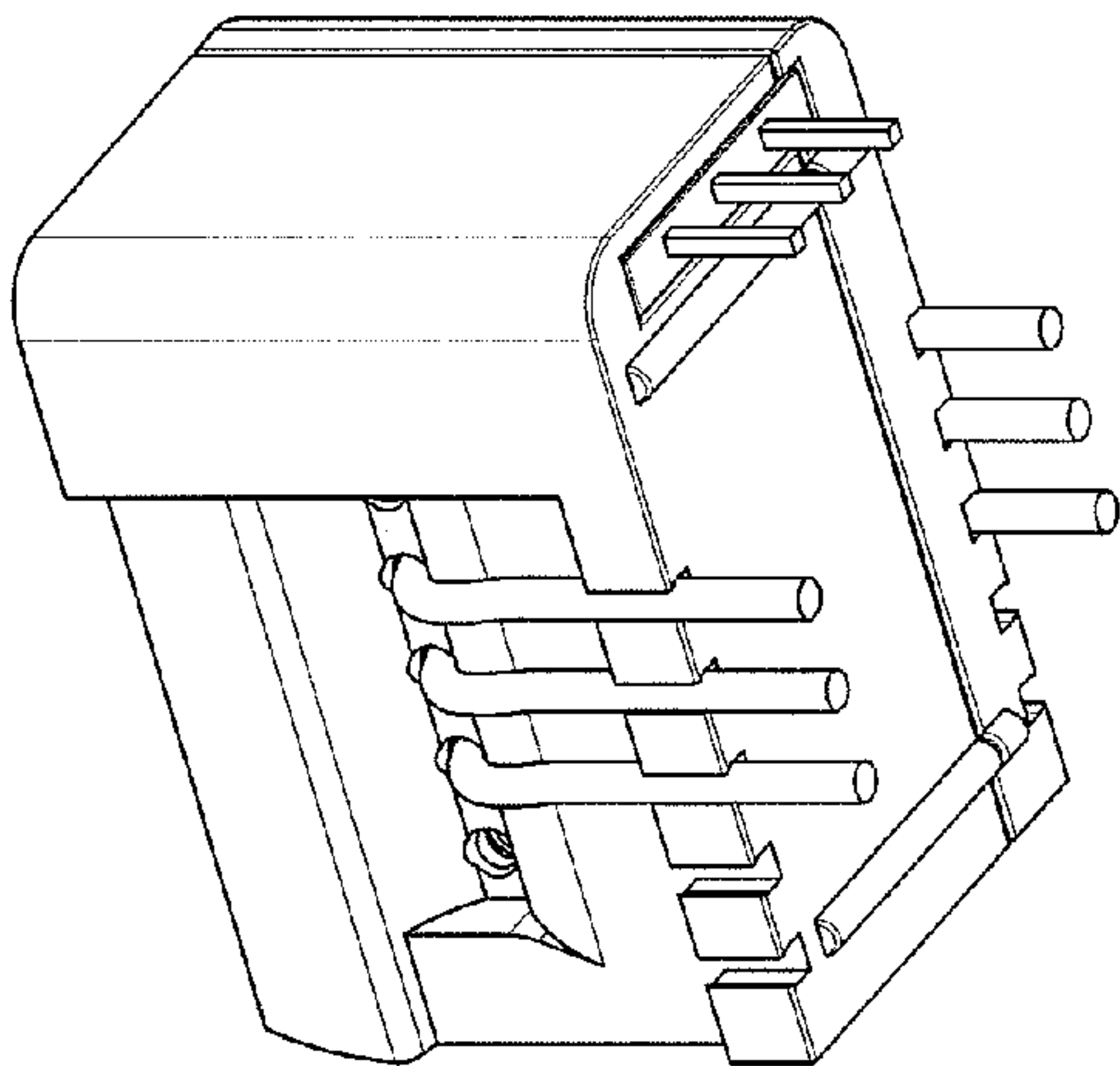


FIG. 7

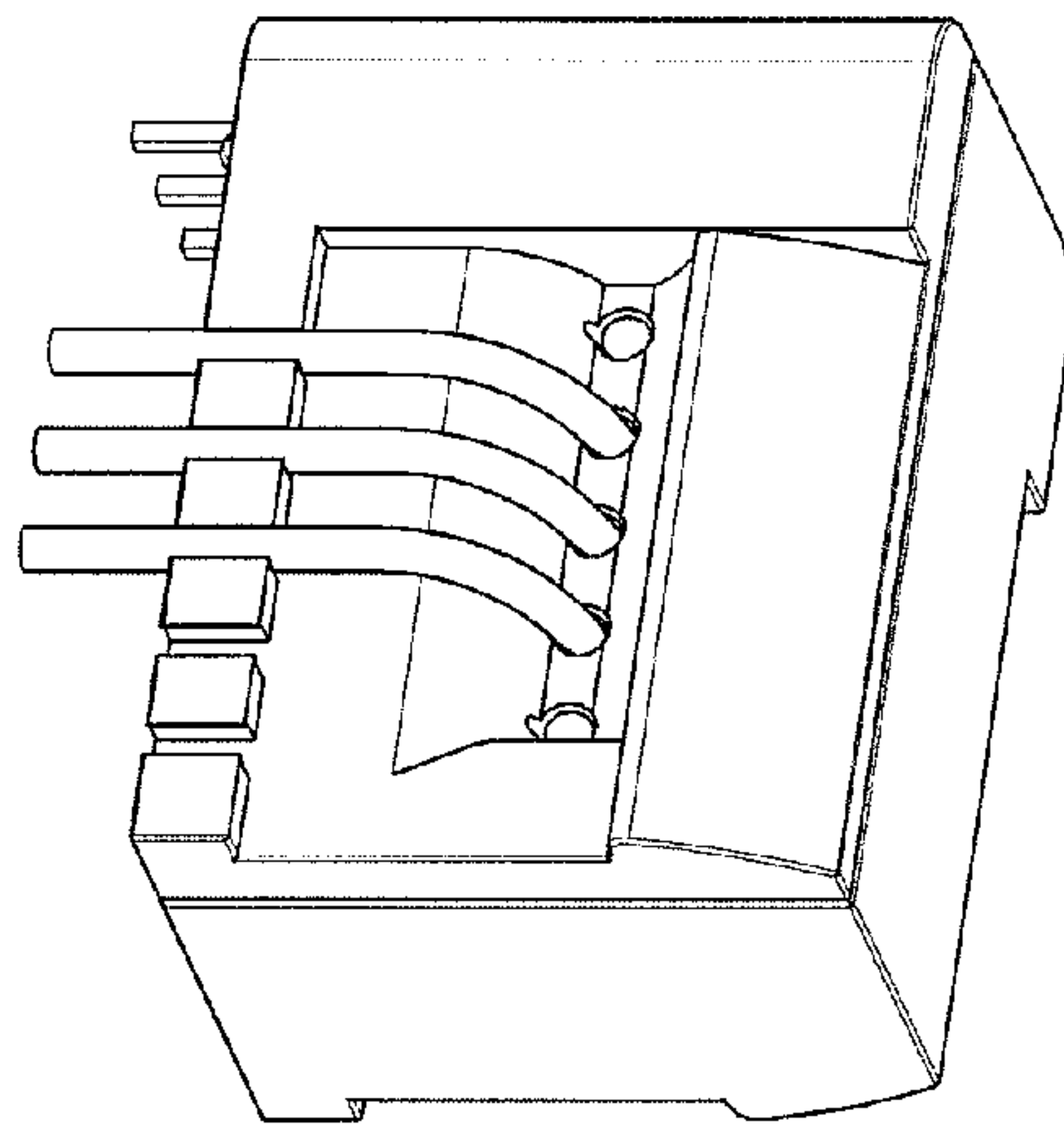


FIG. 8

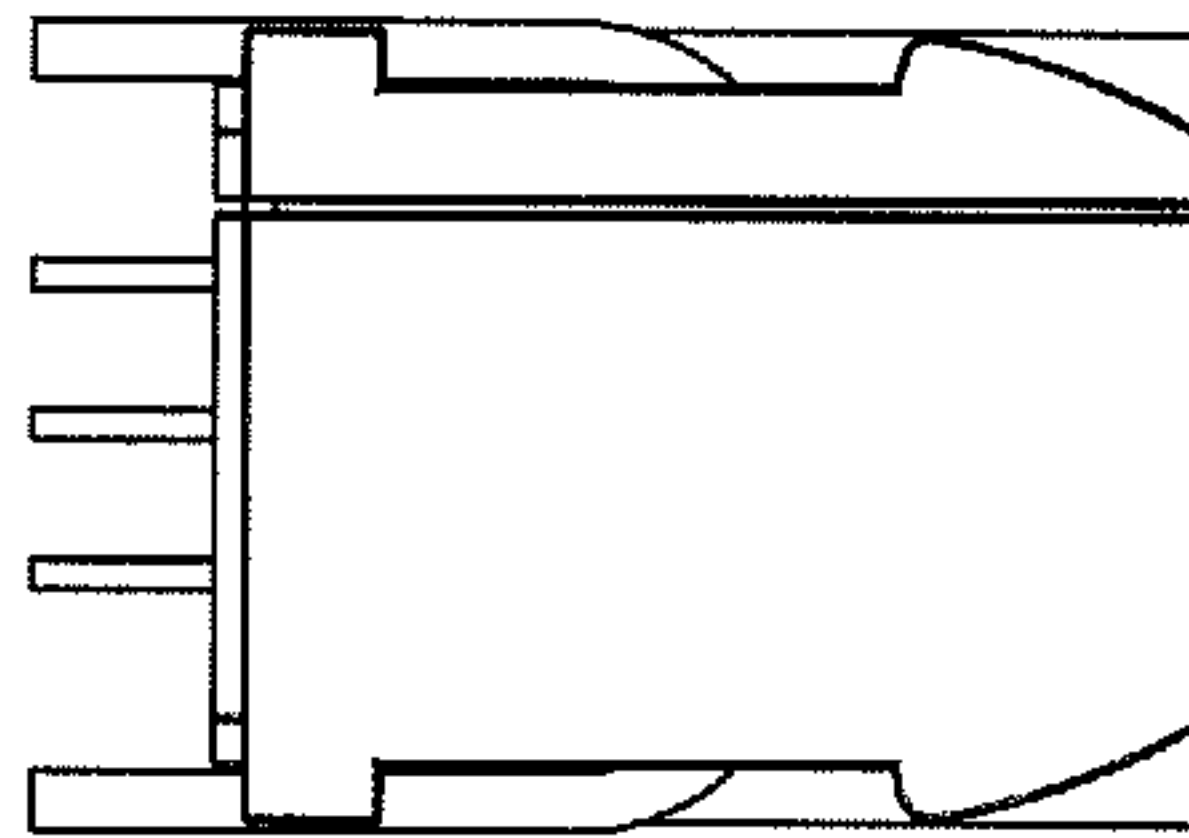


FIG. 9

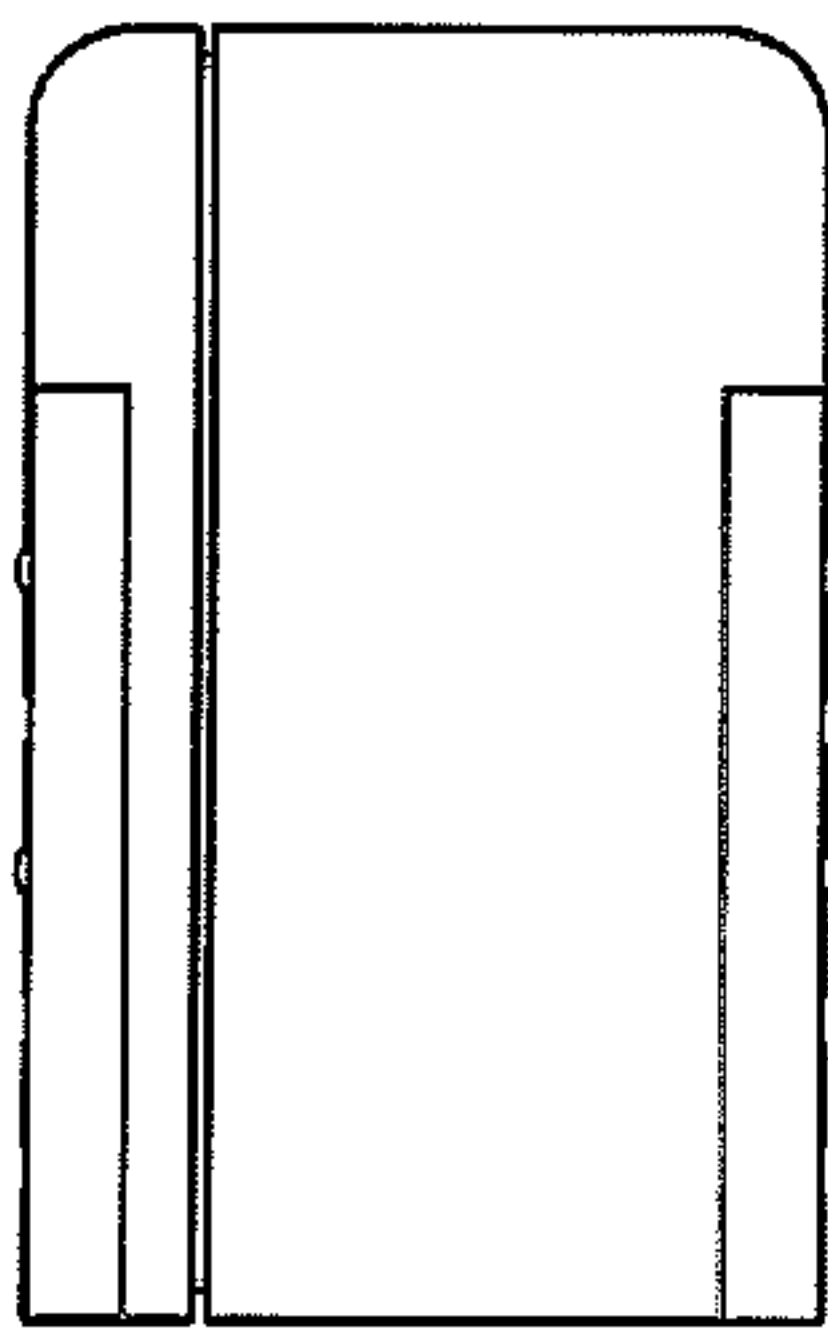


FIG. 10

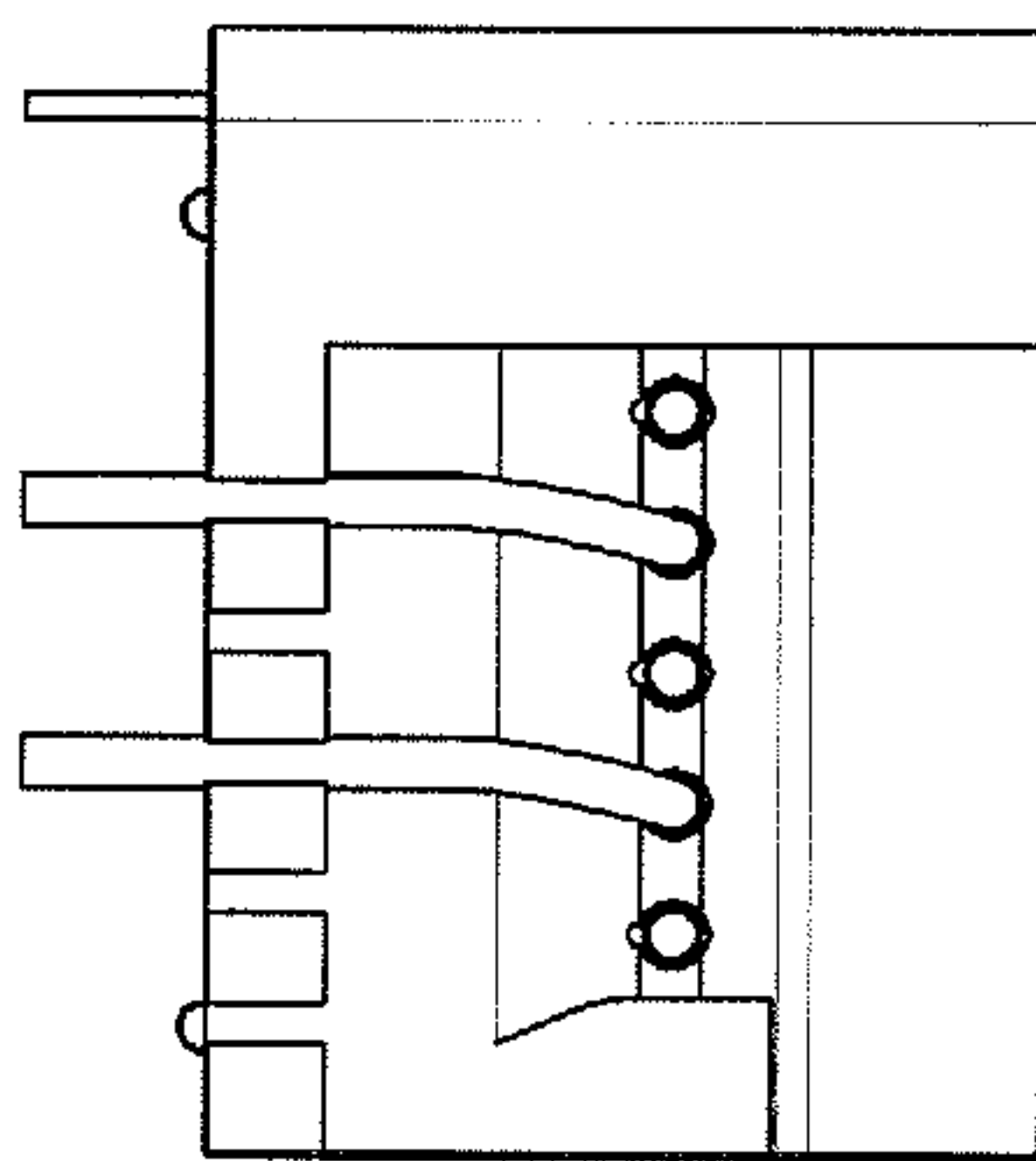


FIG. 11

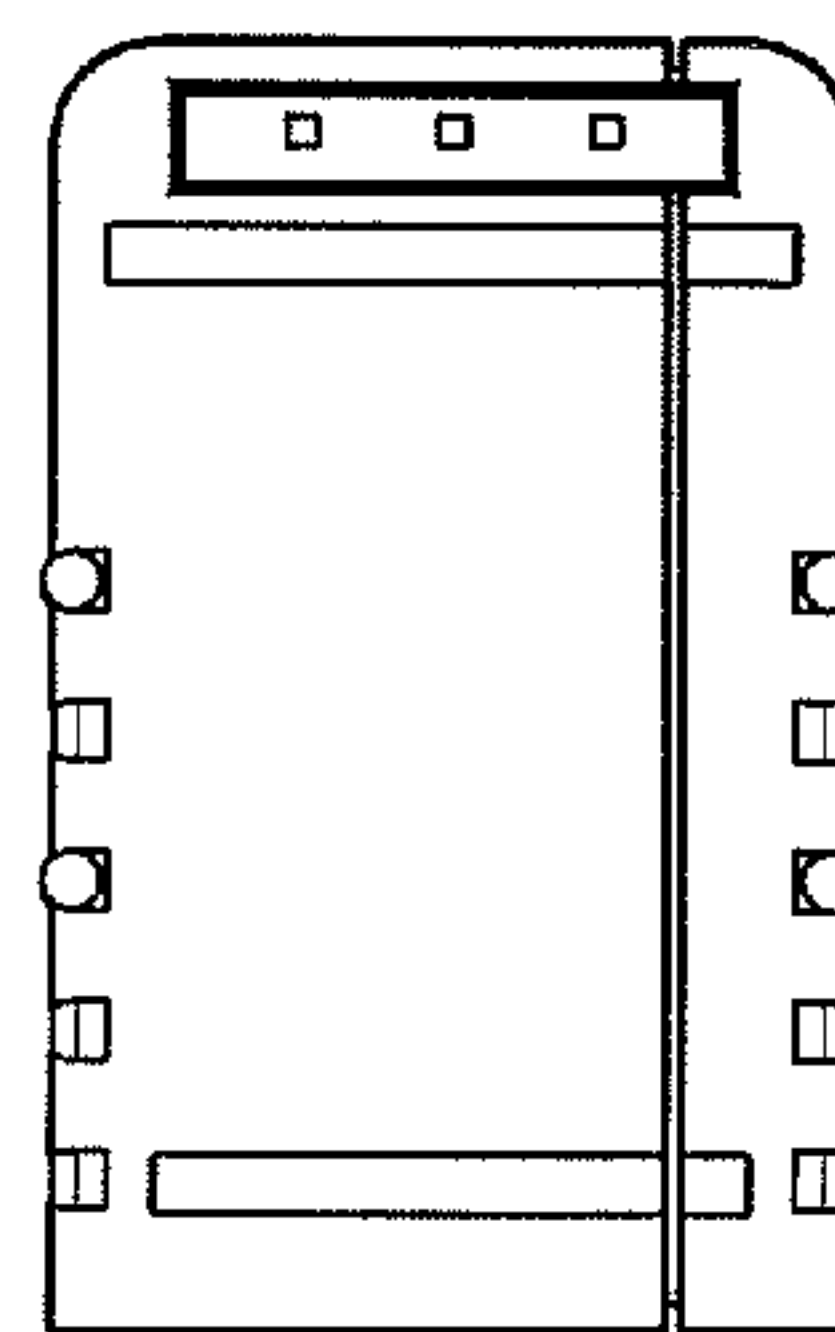


FIG. 12

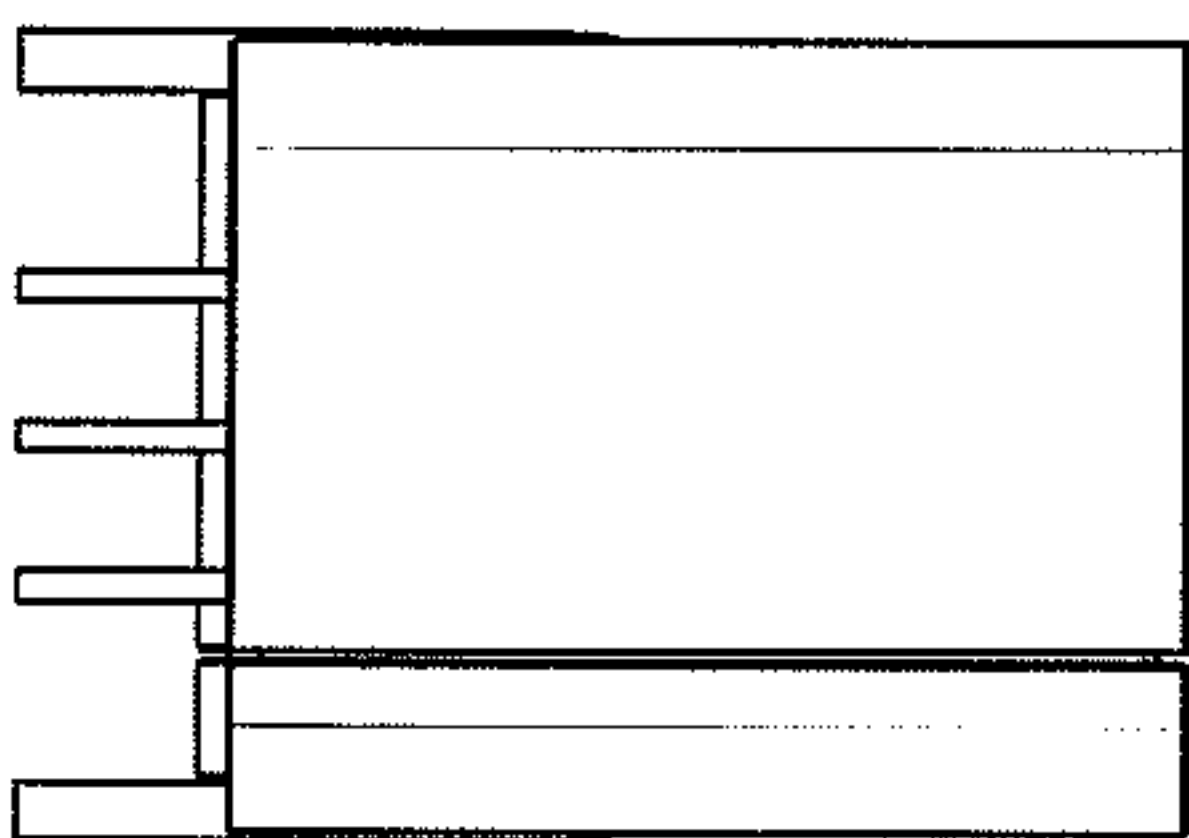


FIG. 13

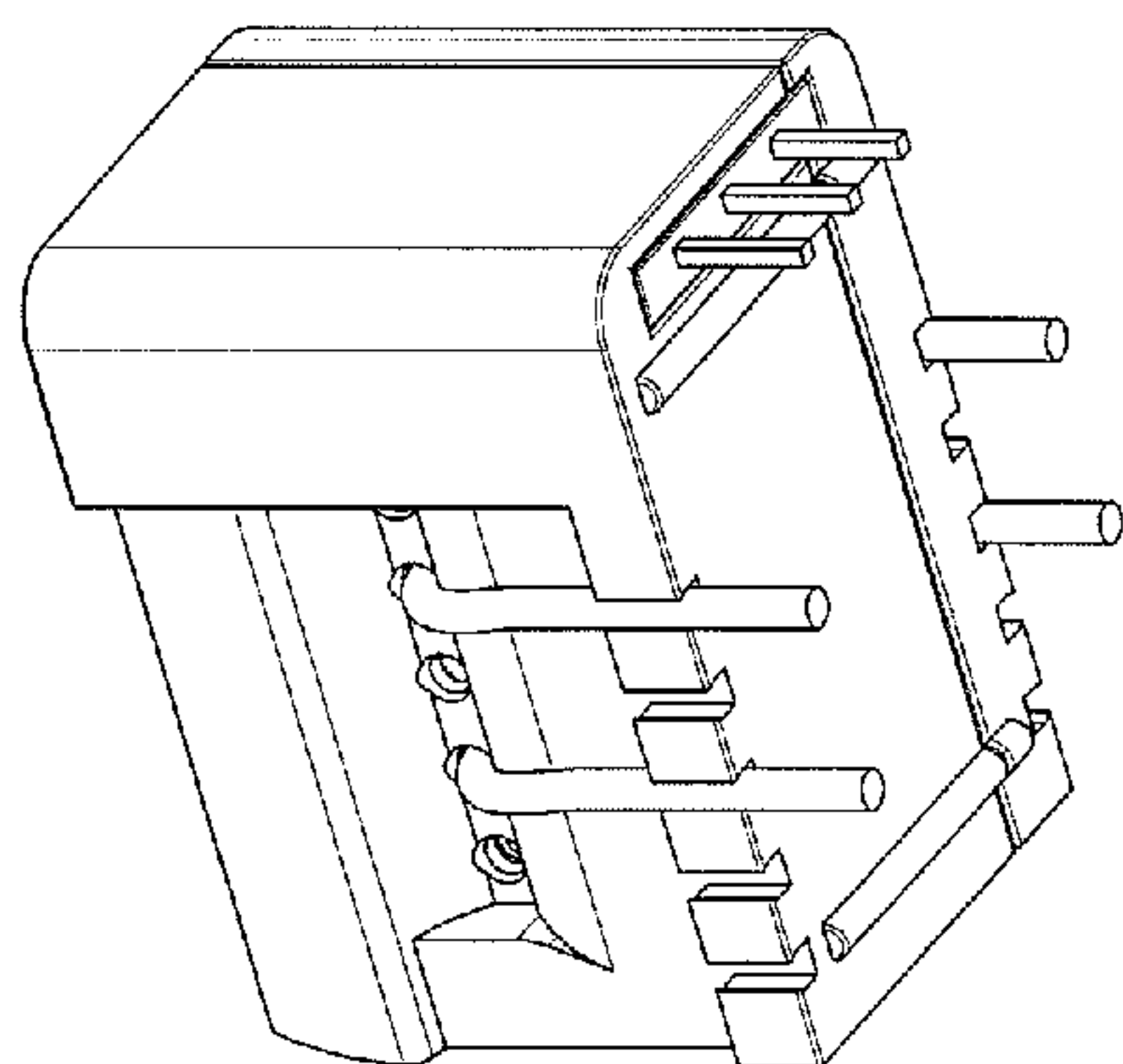


FIG. 14

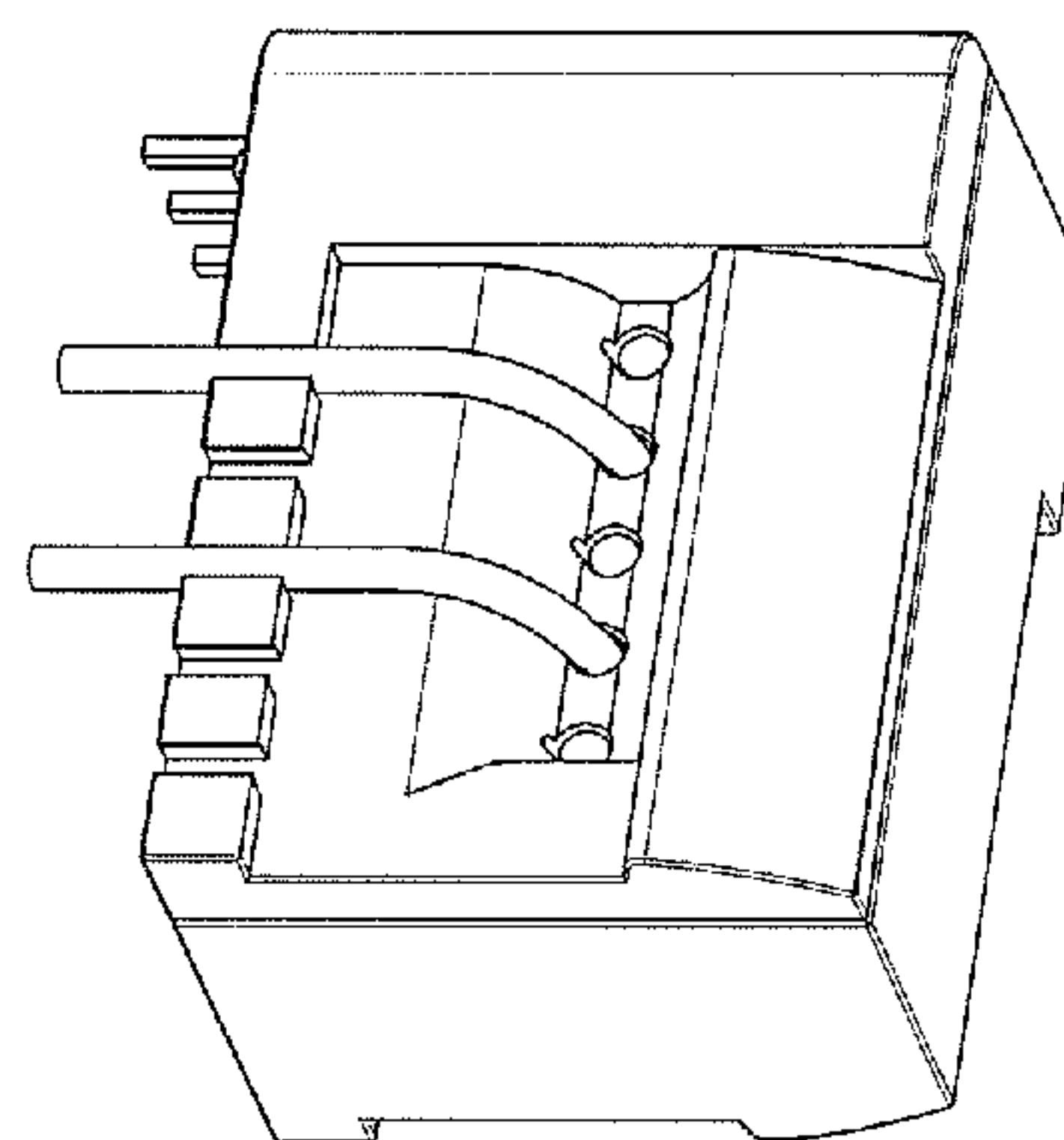


FIG.15

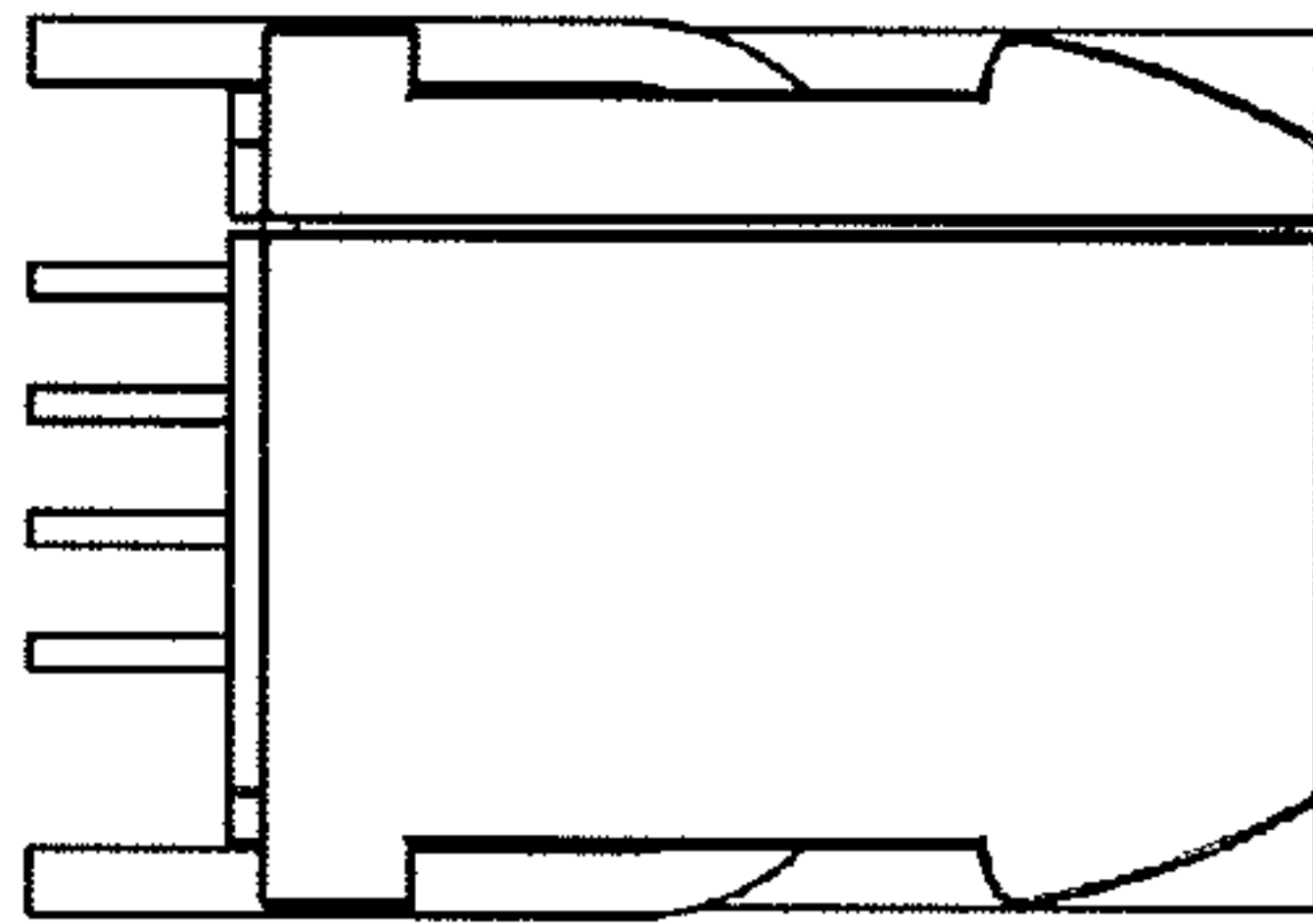


FIG.16

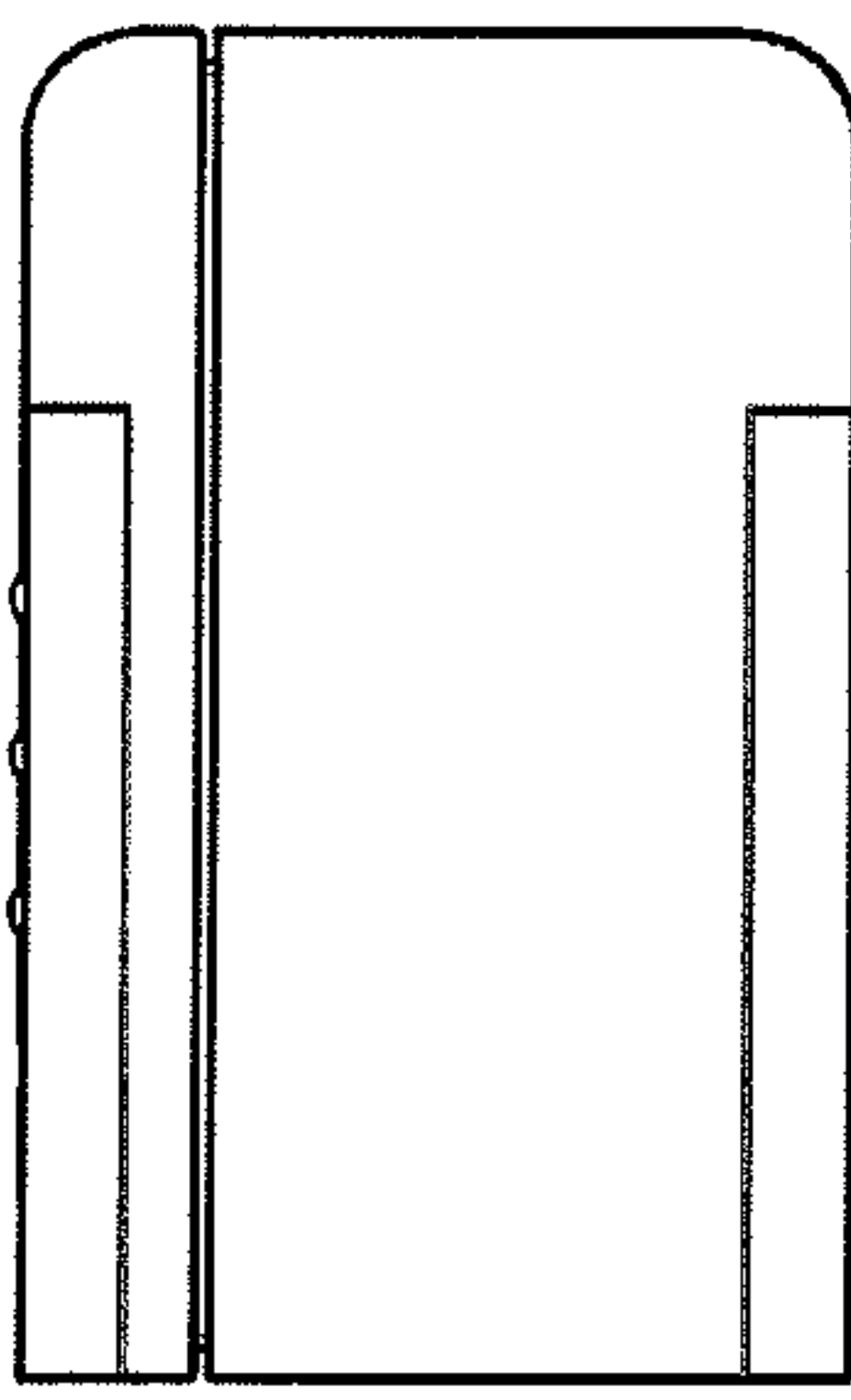


FIG.17

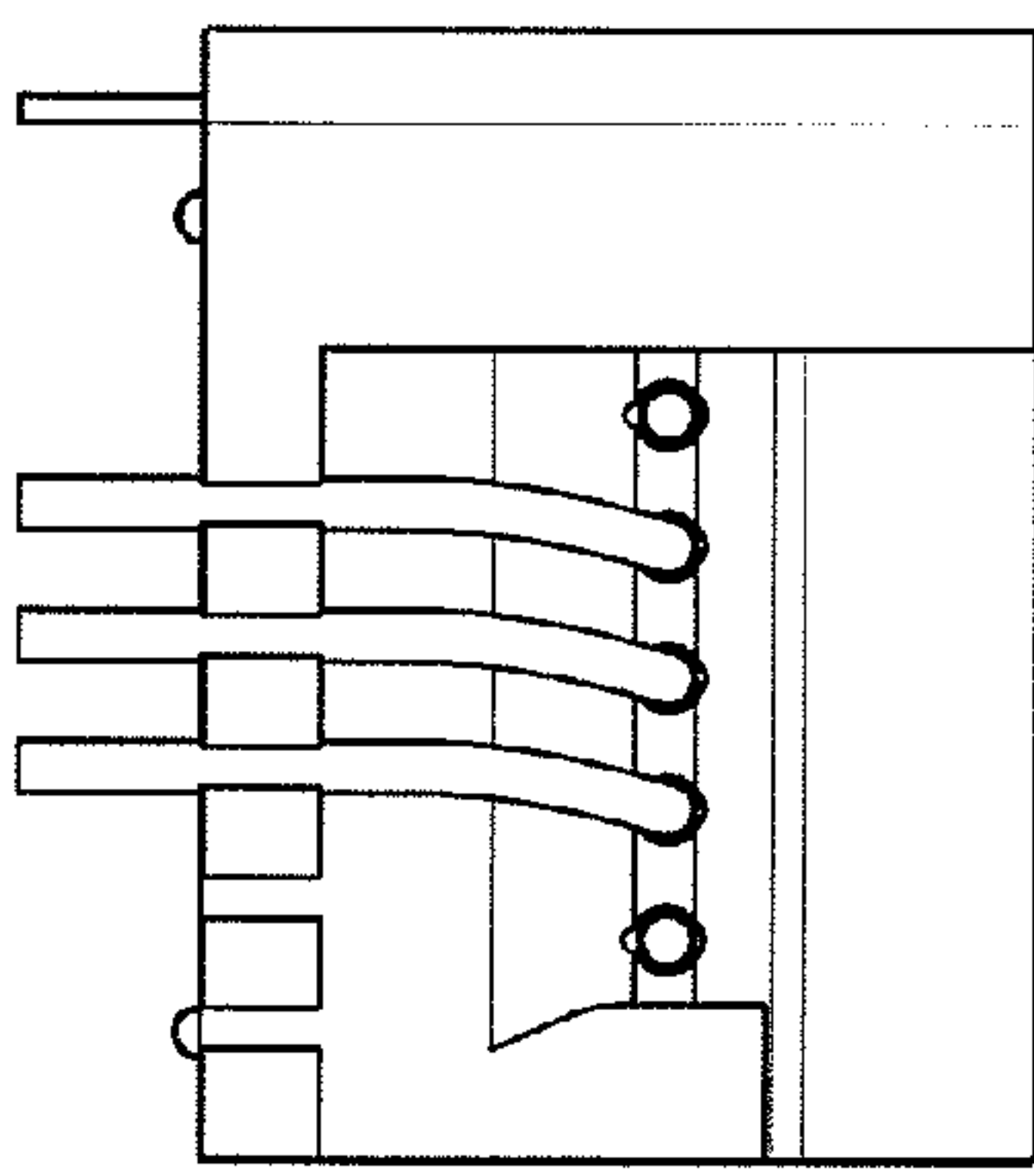


FIG. 18

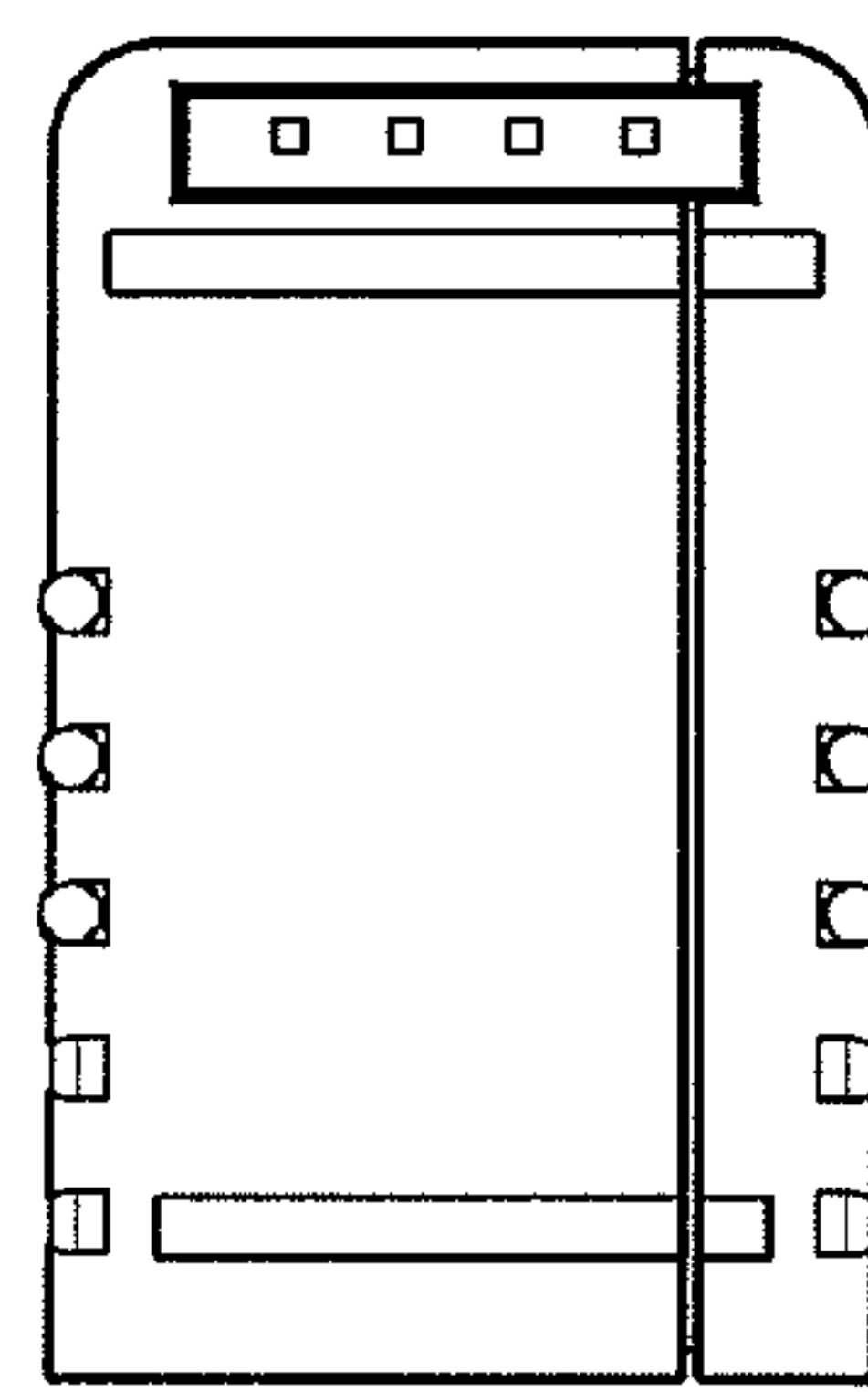


FIG. 19

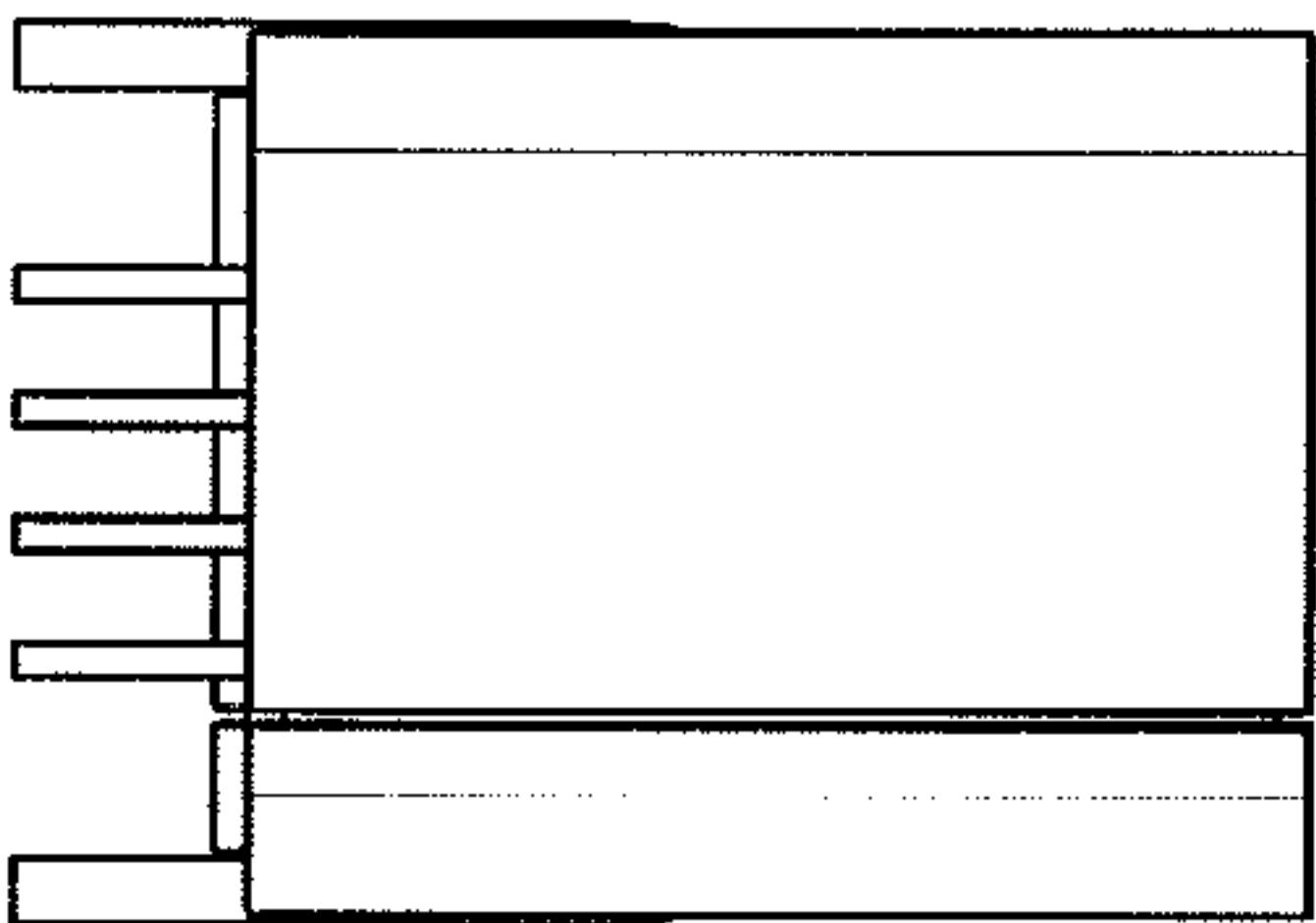


FIG. 20

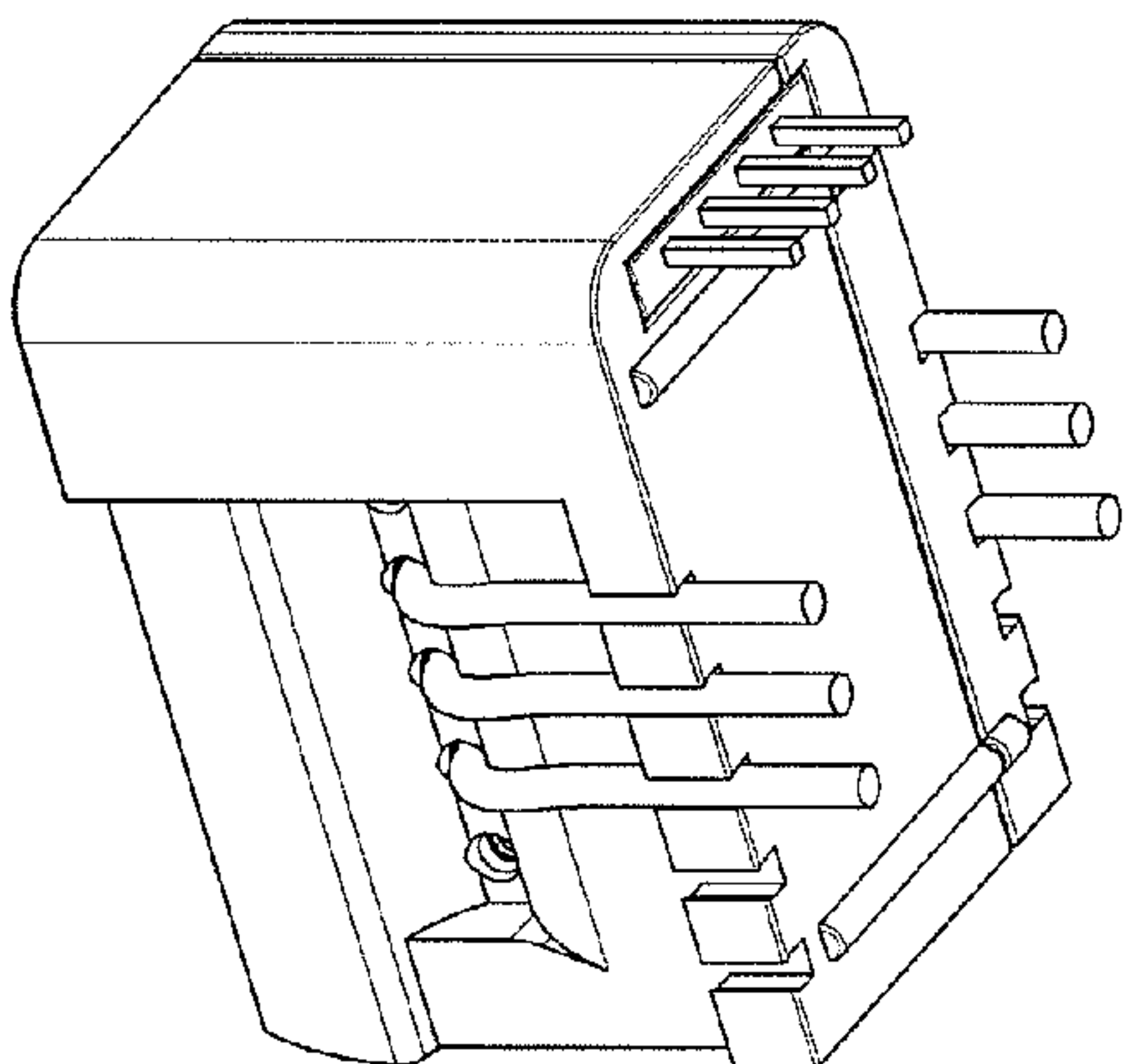


FIG. 21

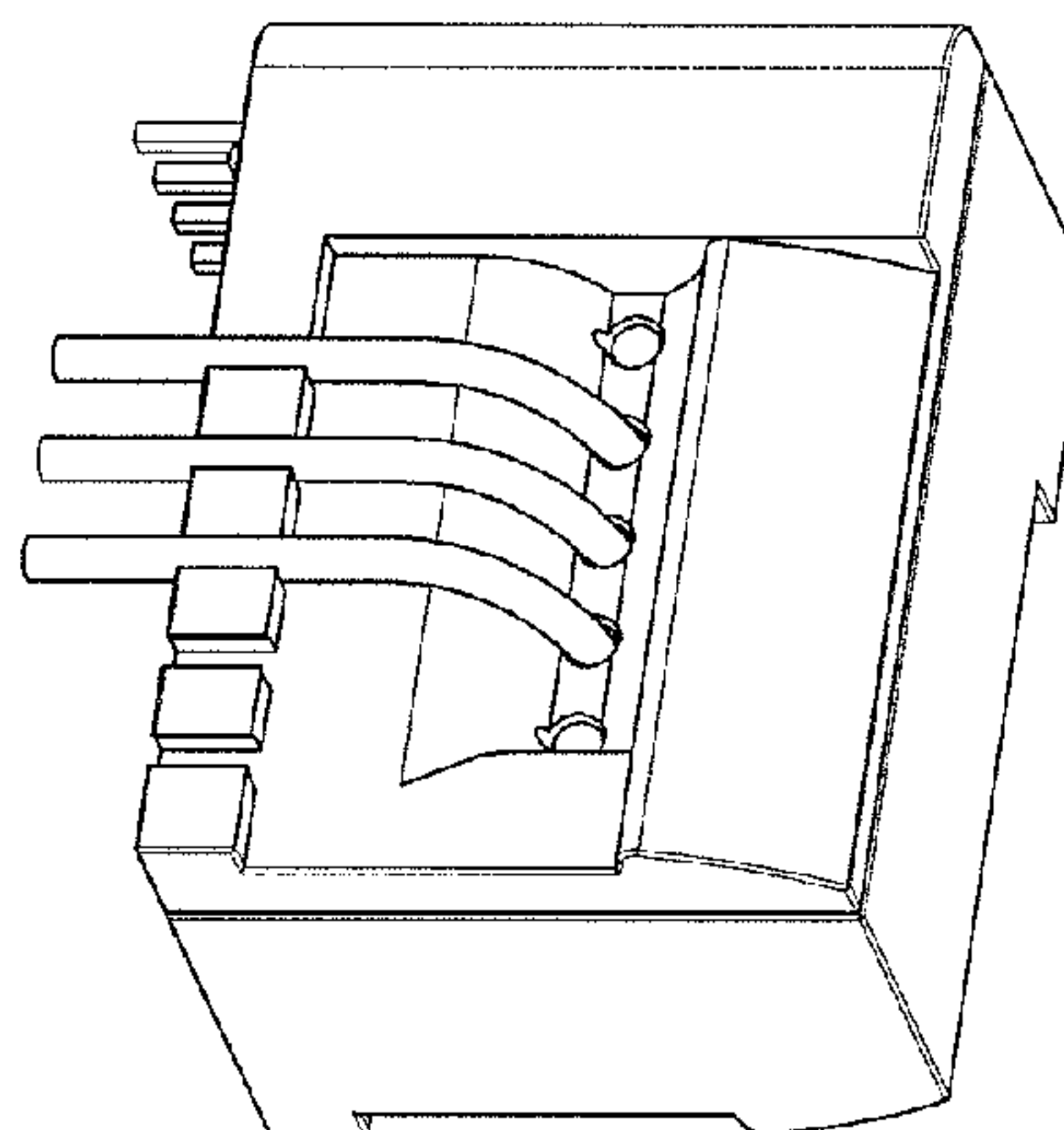


FIG. 22

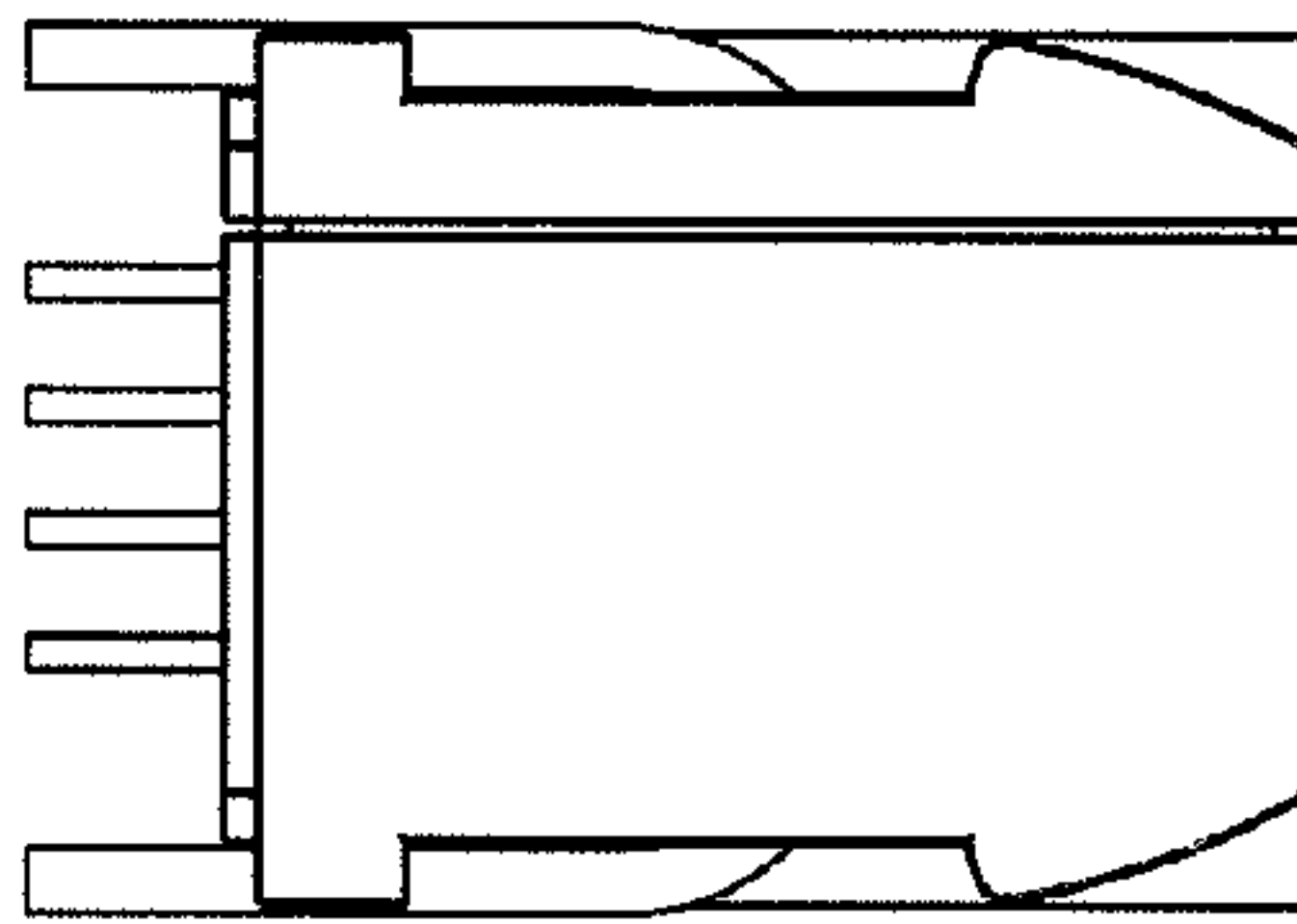


FIG. 23

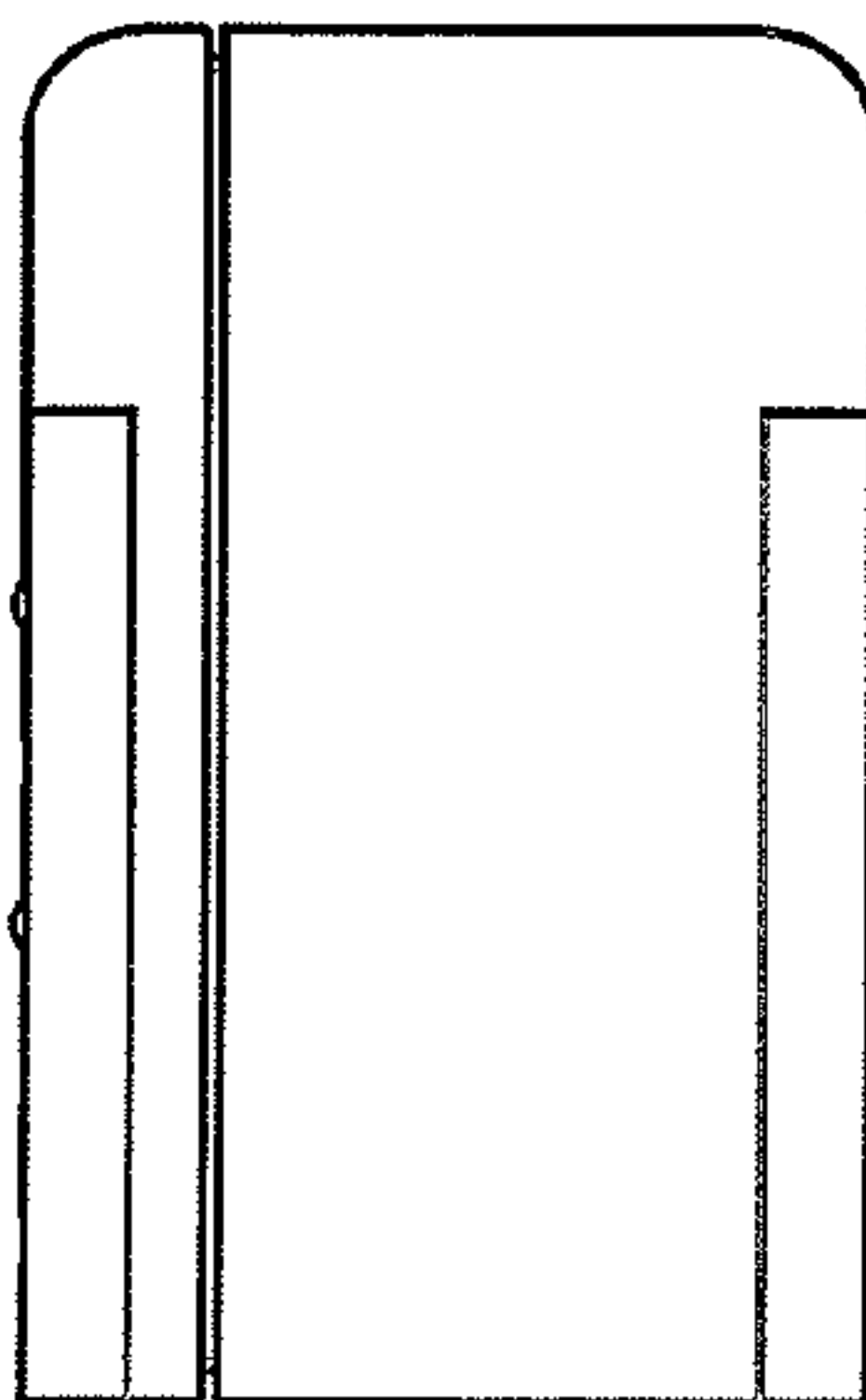


FIG. 24

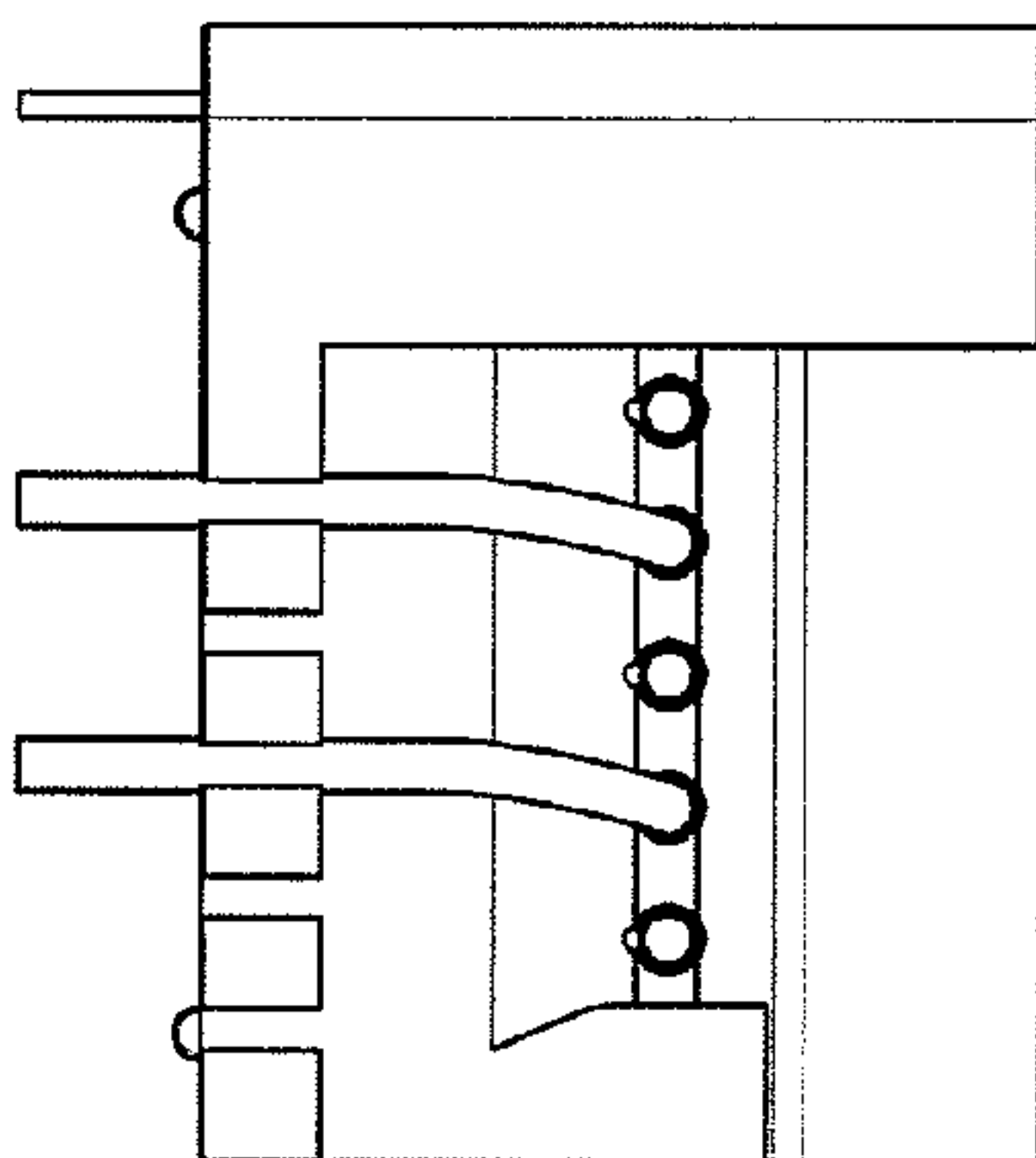


FIG. 25

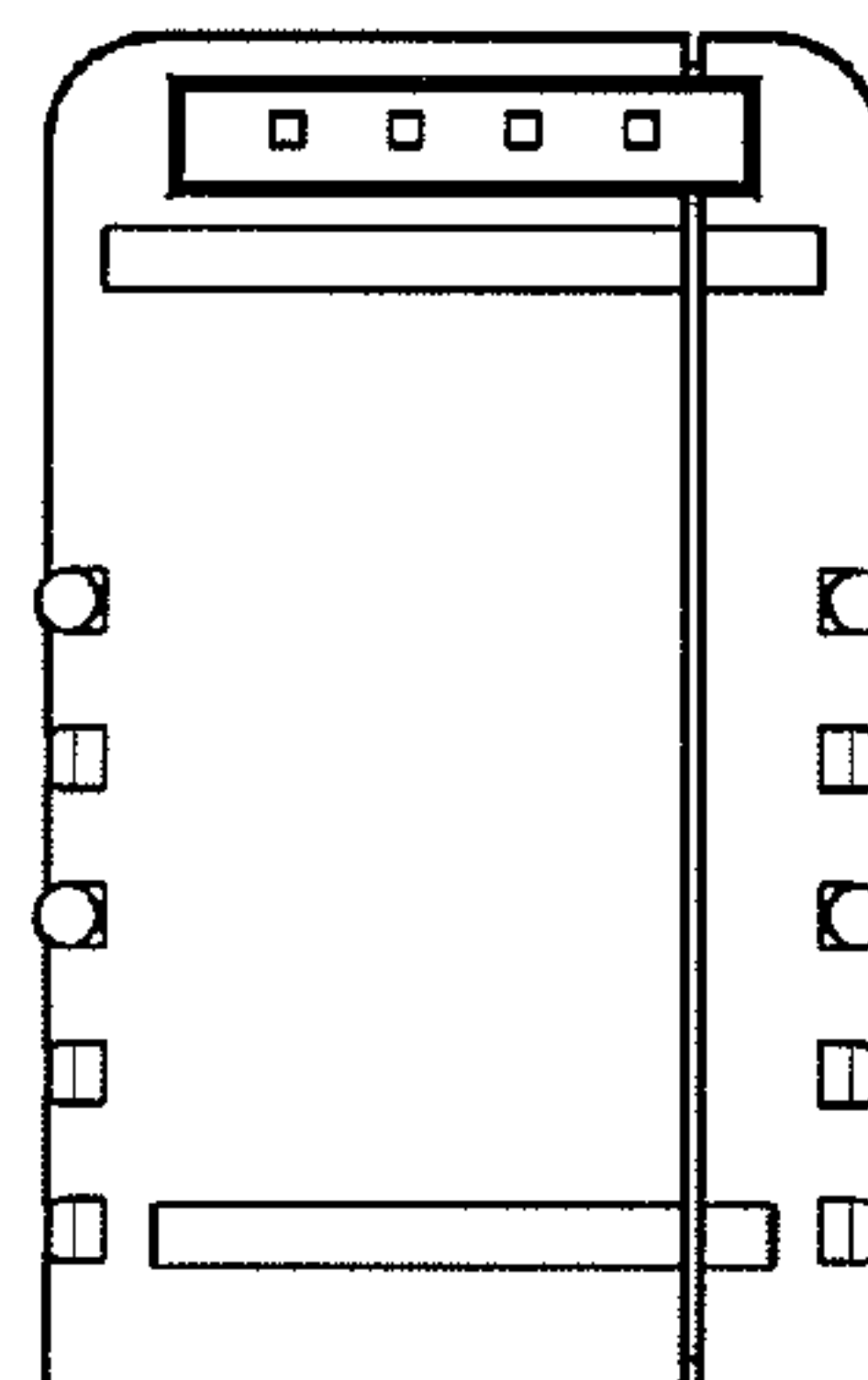


FIG. 26

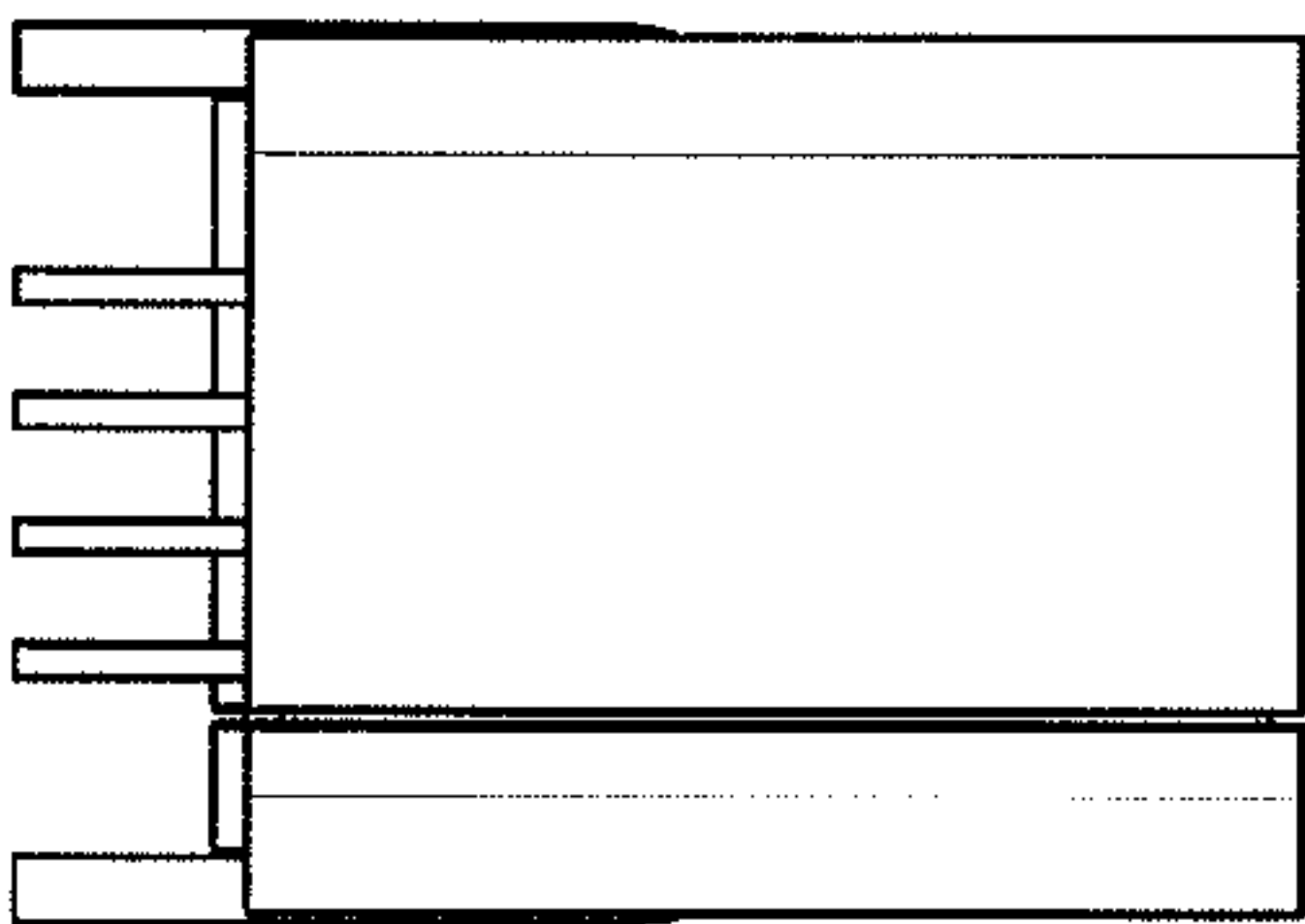


FIG. 27

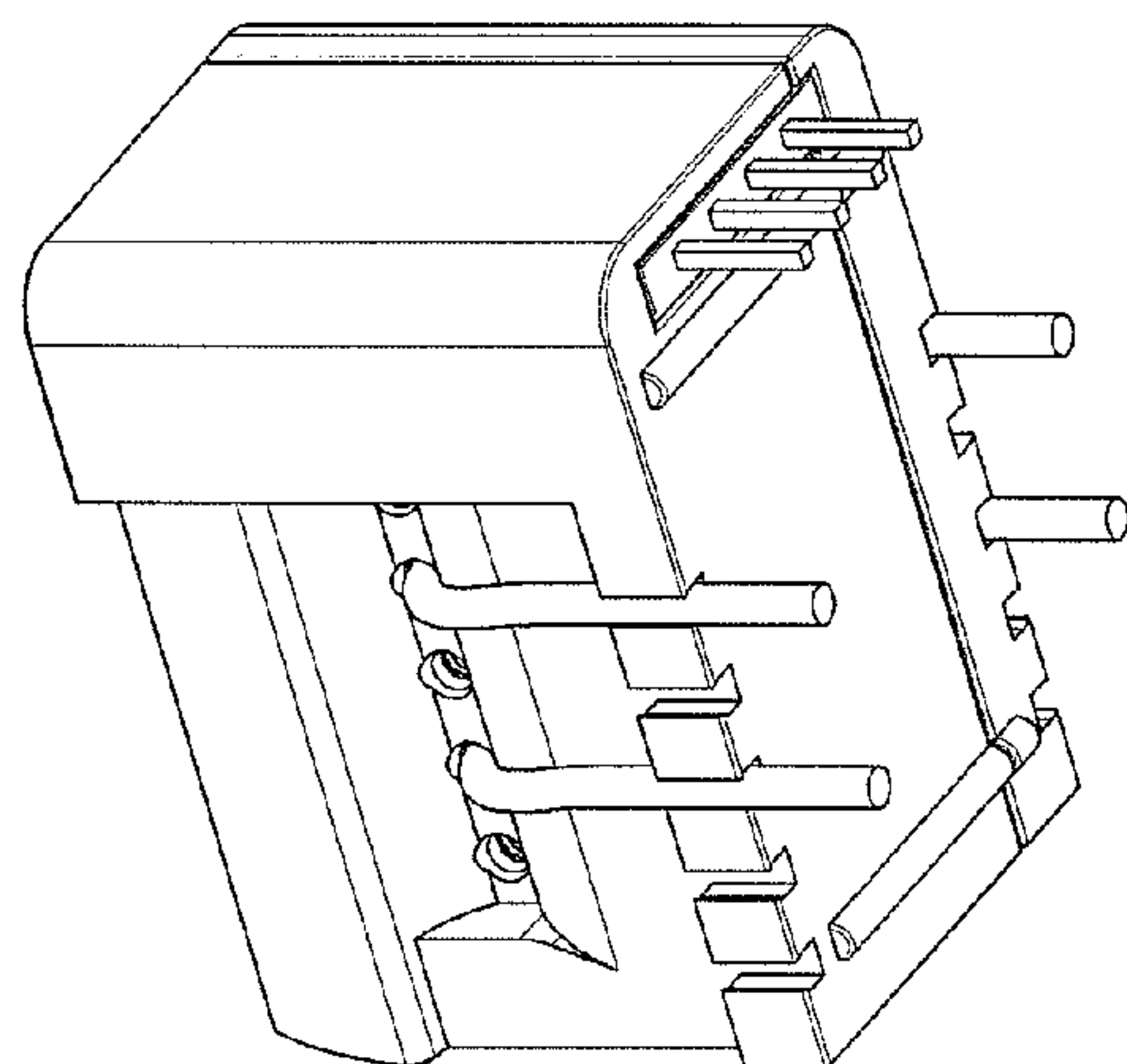


FIG. 28

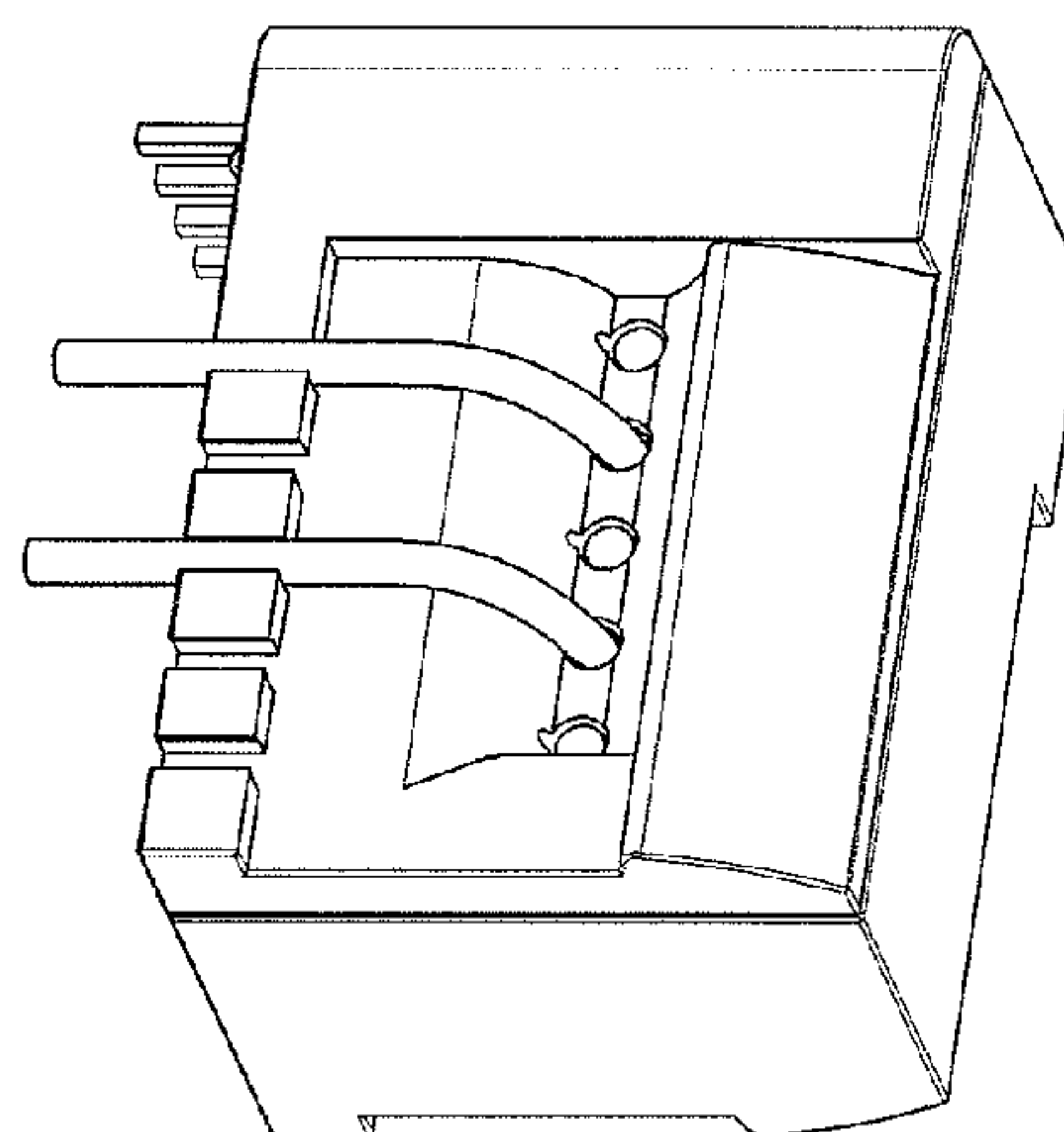


FIG. 29

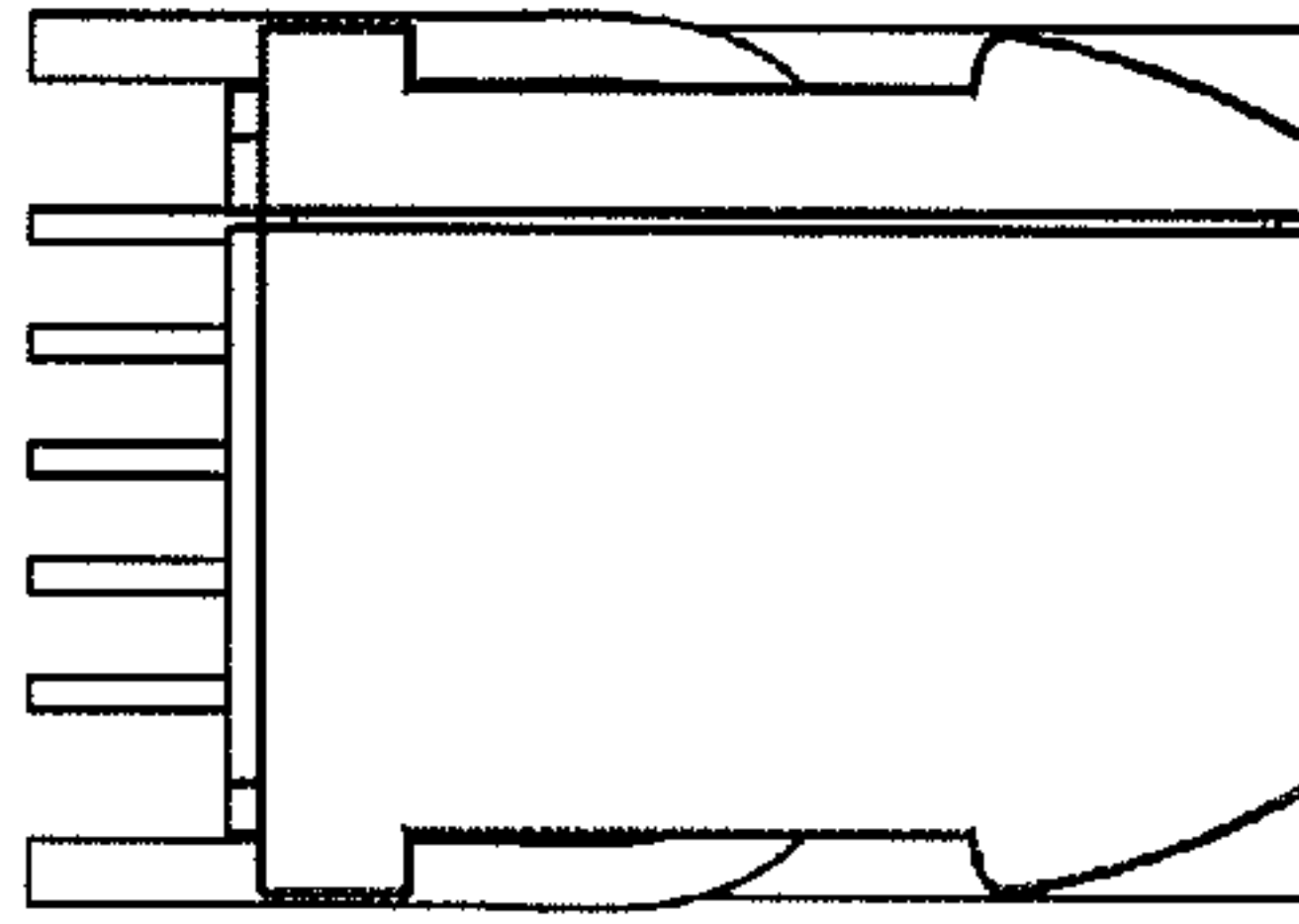


FIG. 30

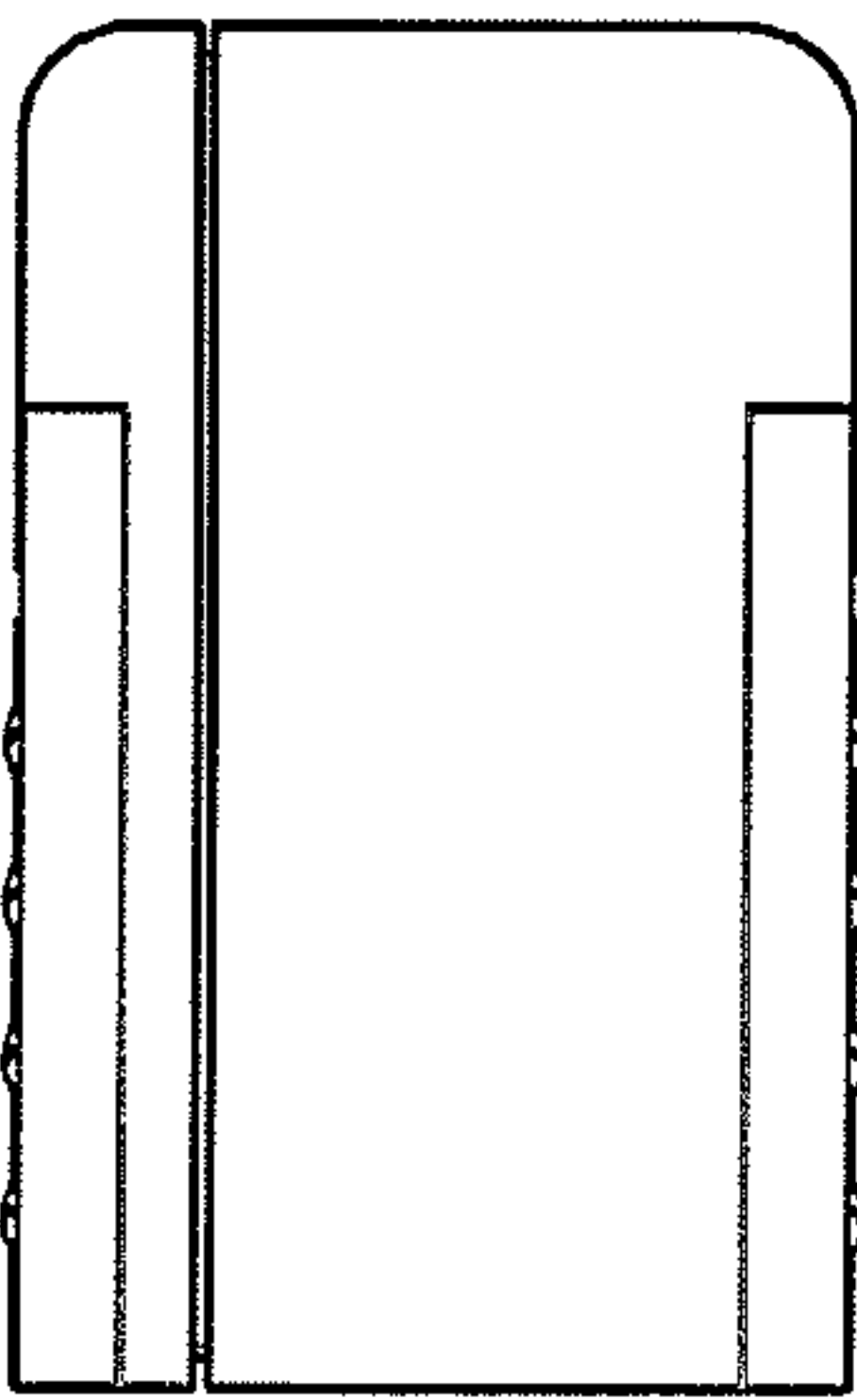


FIG. 31

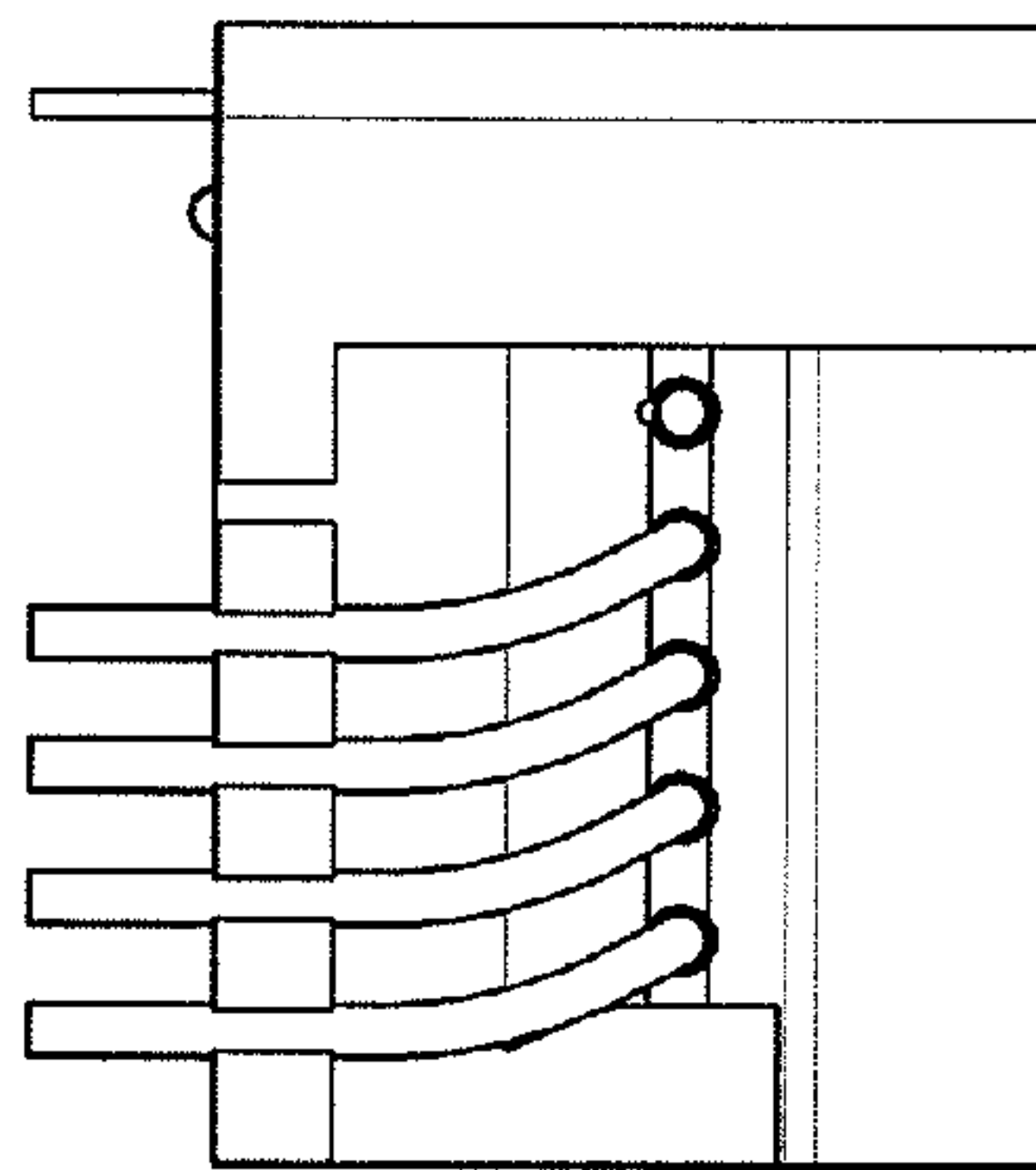


FIG. 32

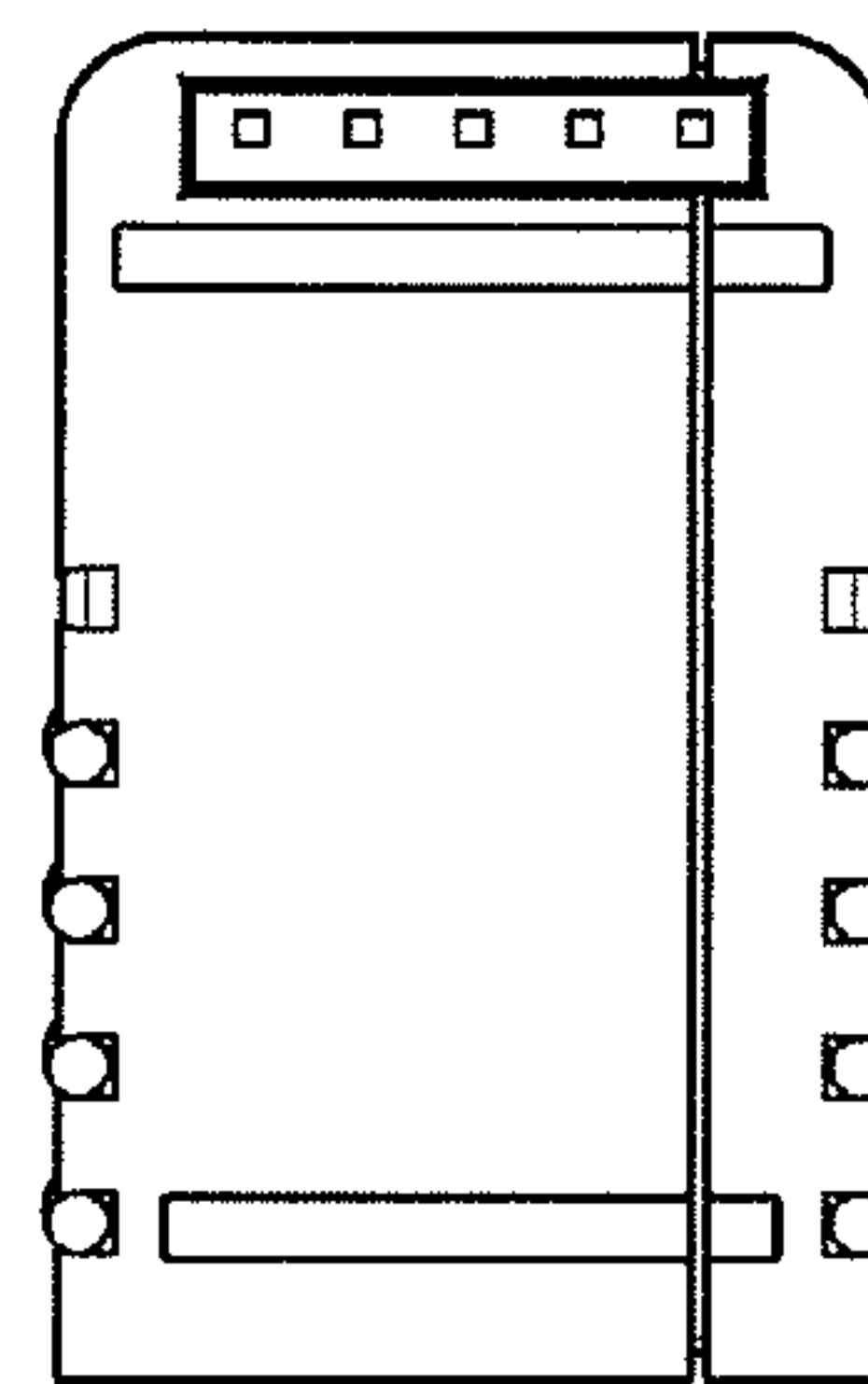


FIG. 33

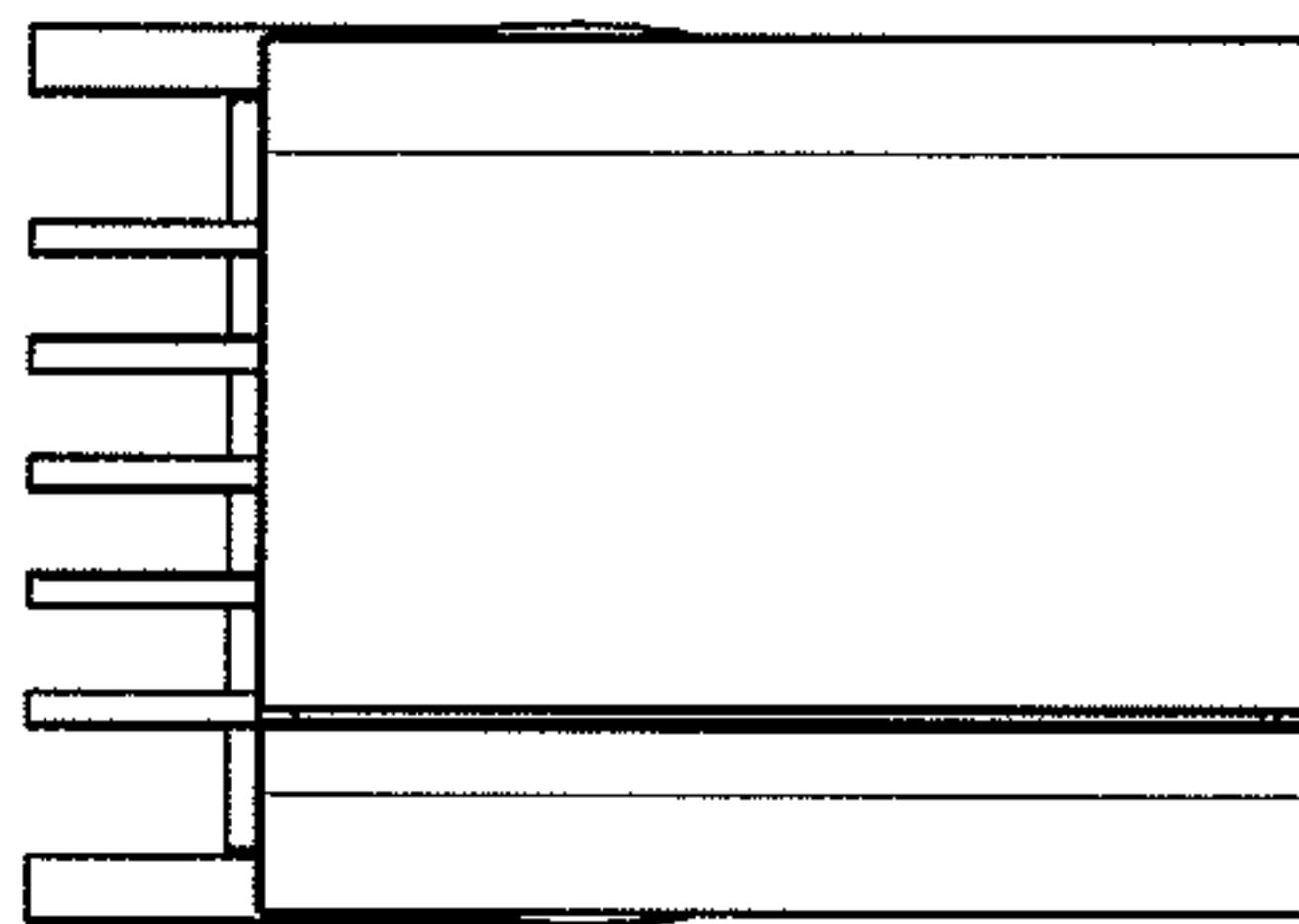


FIG. 34

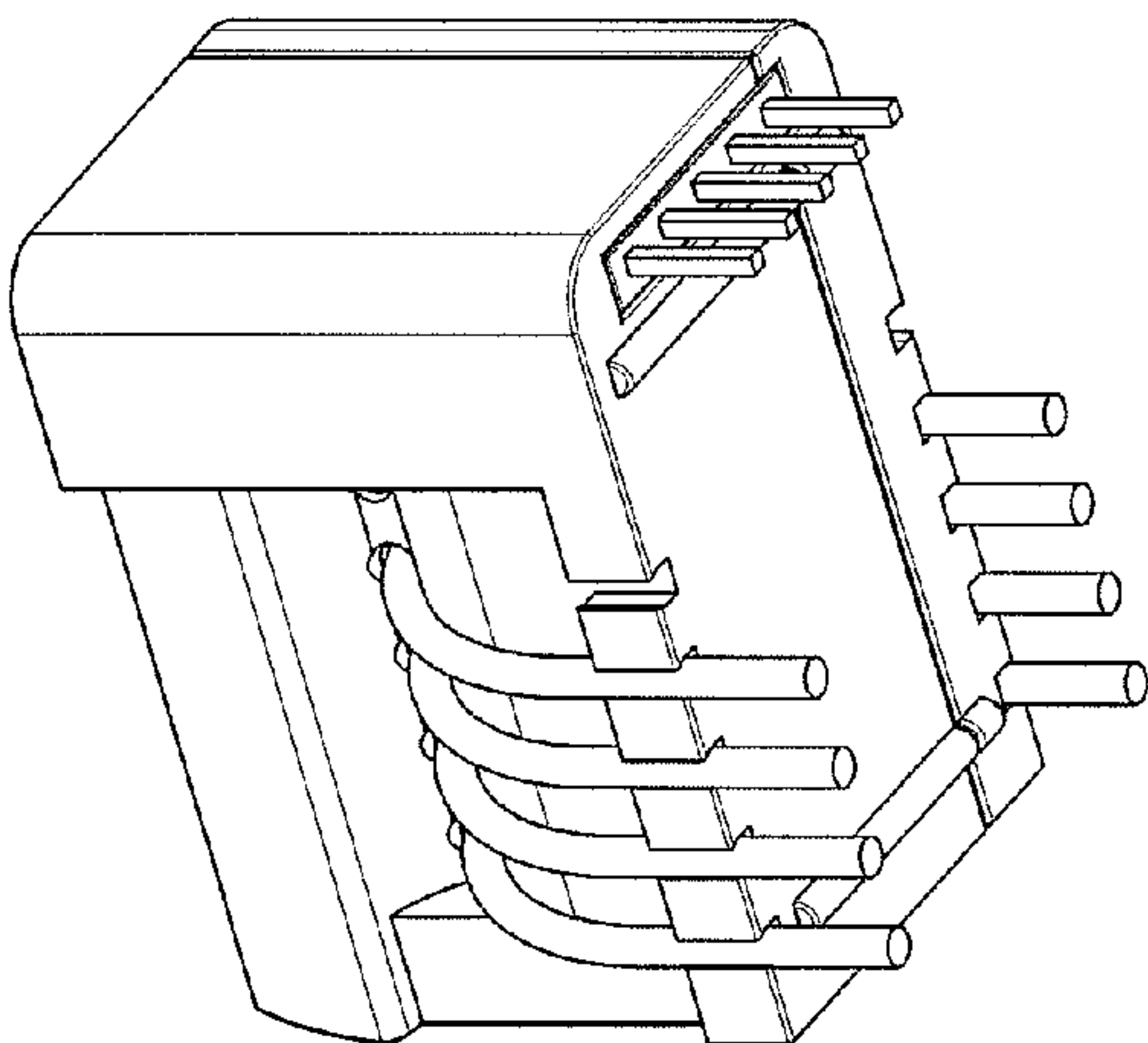


FIG. 35

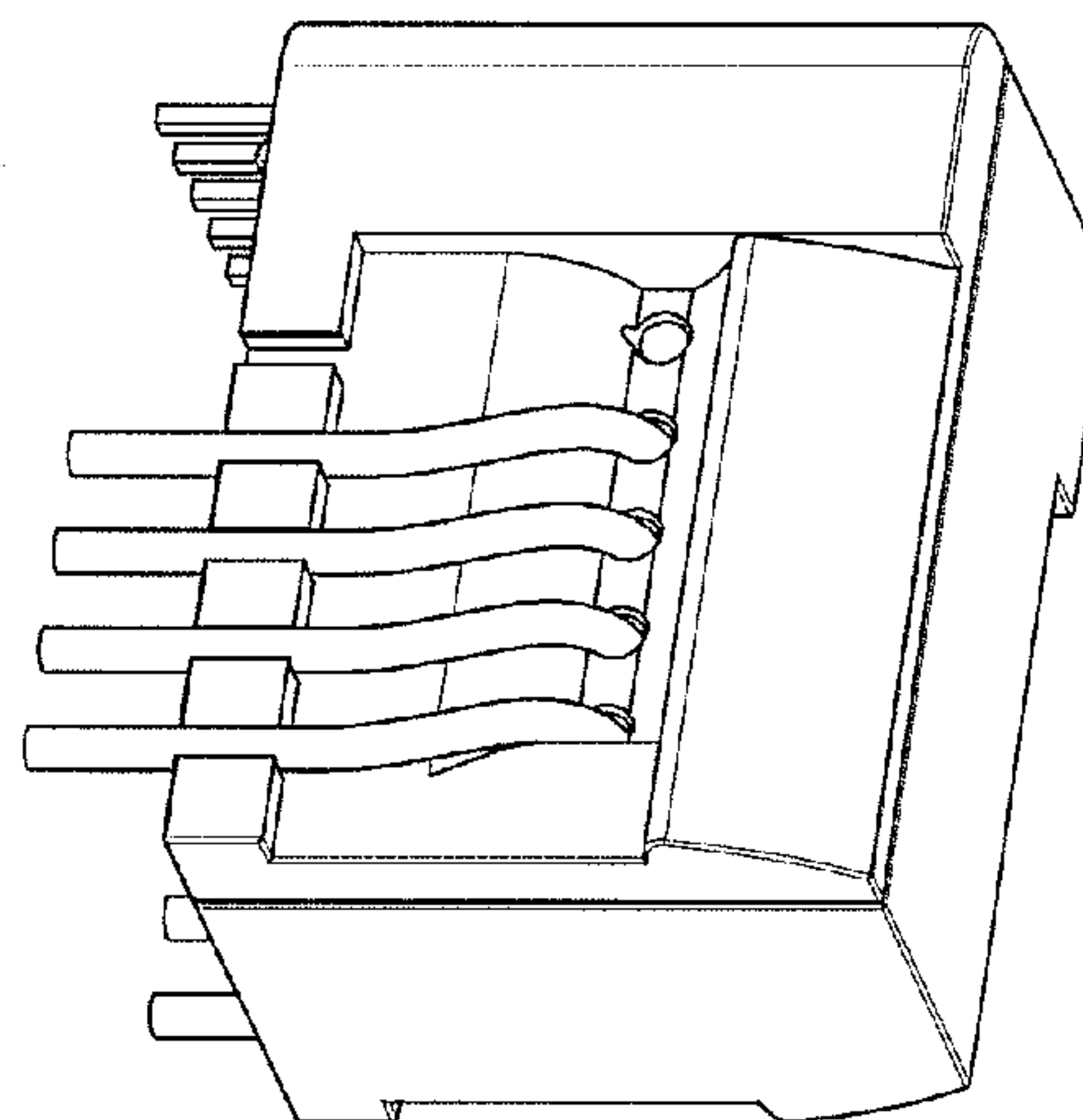


FIG. 36

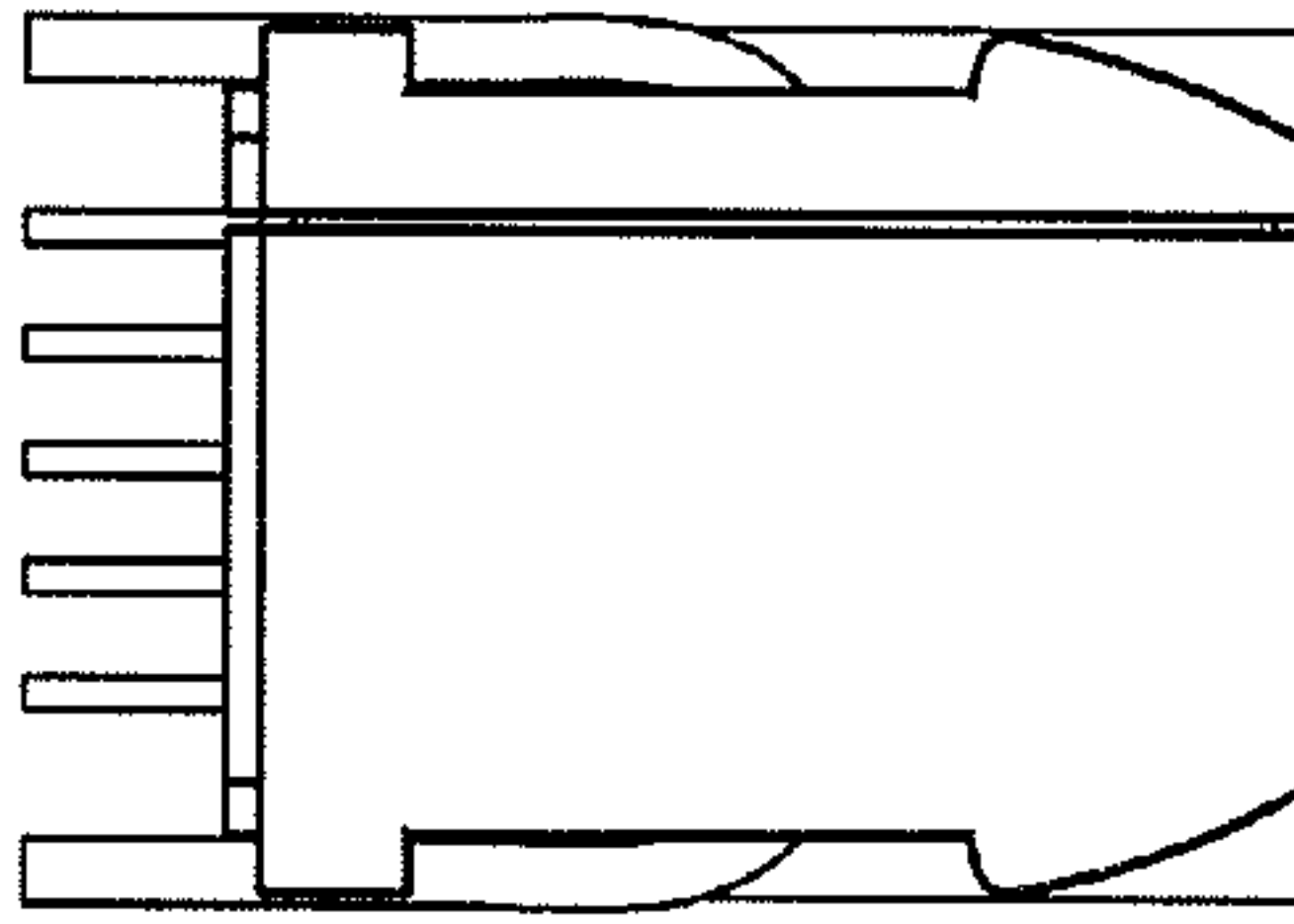


FIG. 37

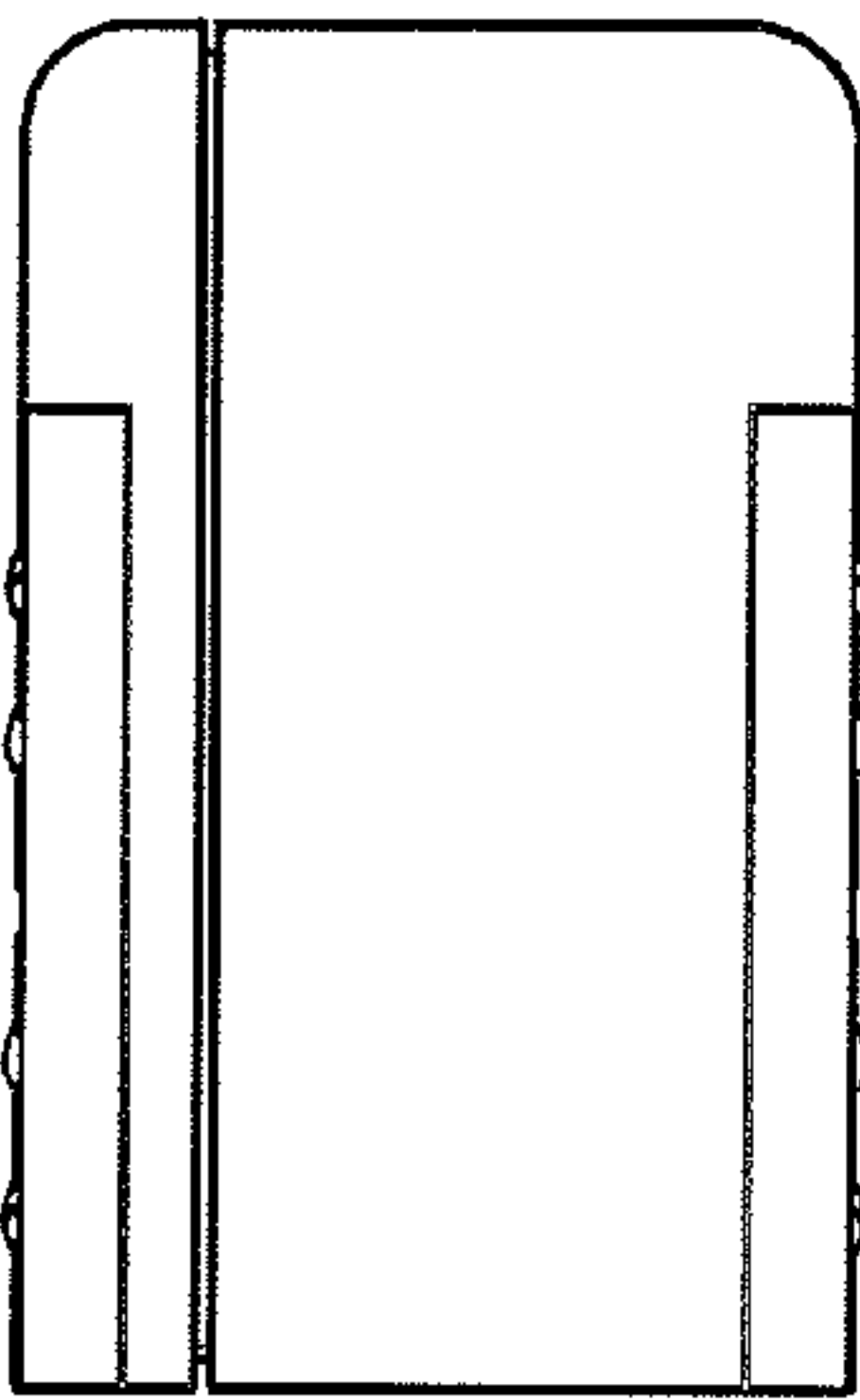


FIG. 38

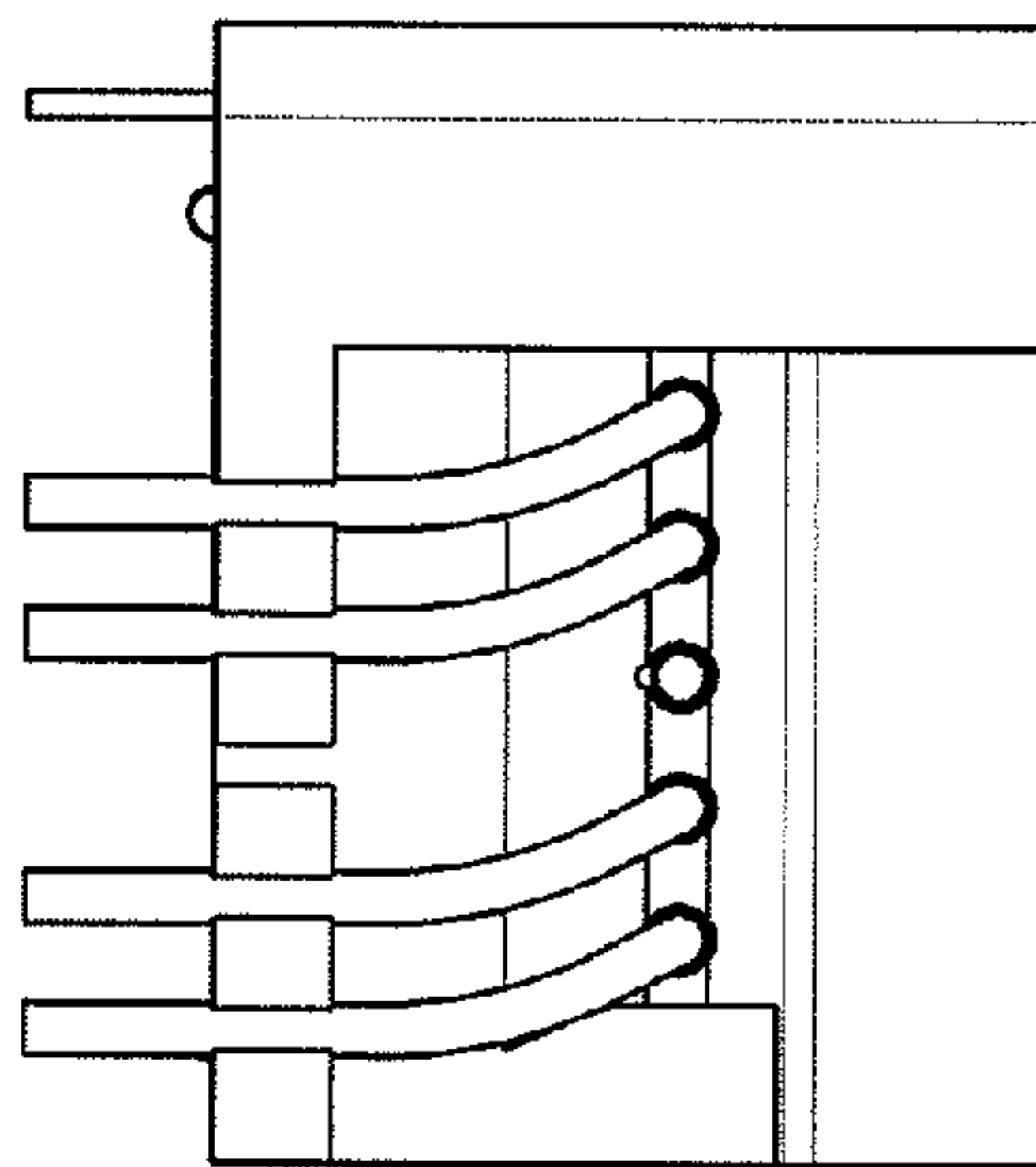


FIG. 39

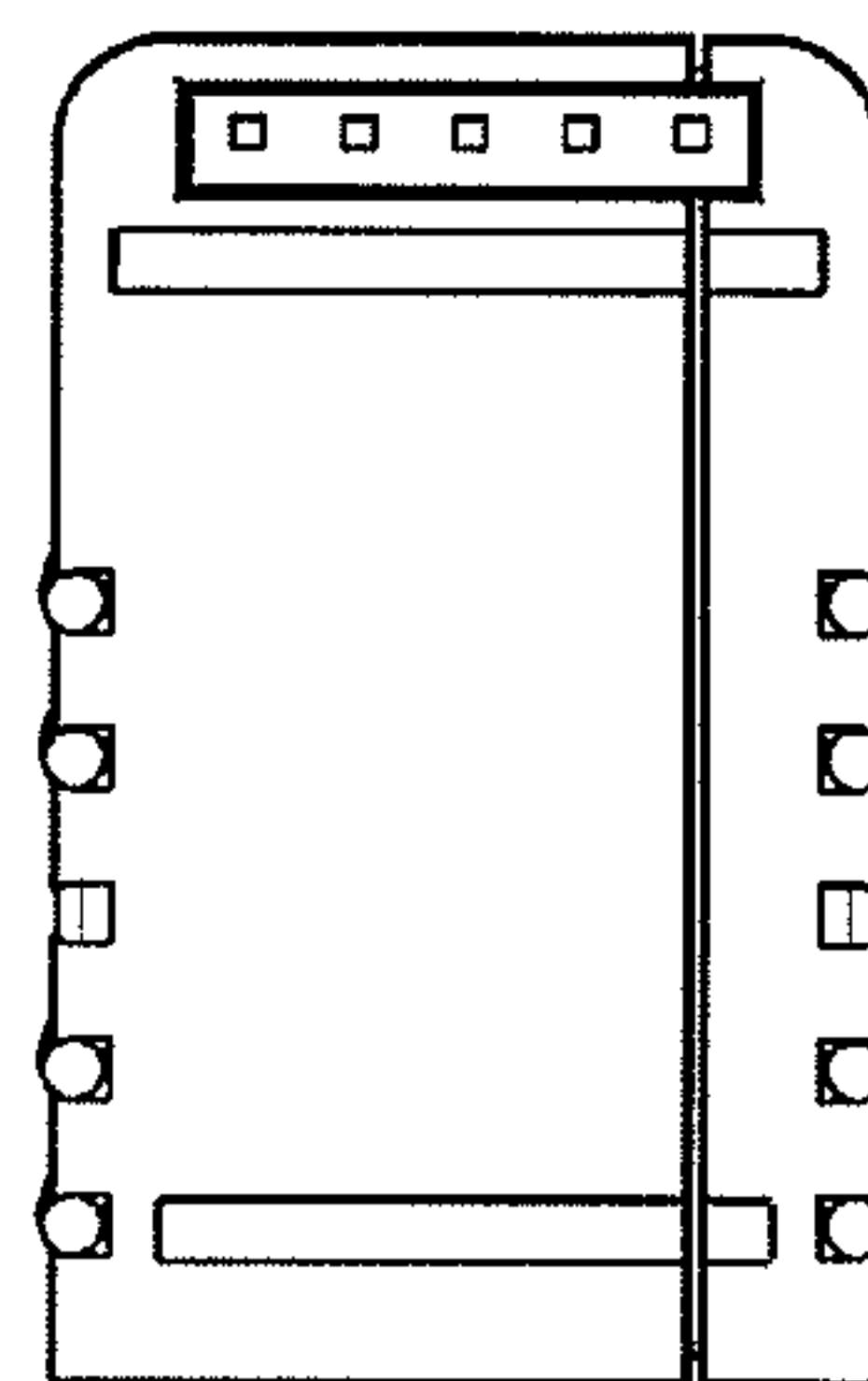


FIG. 40

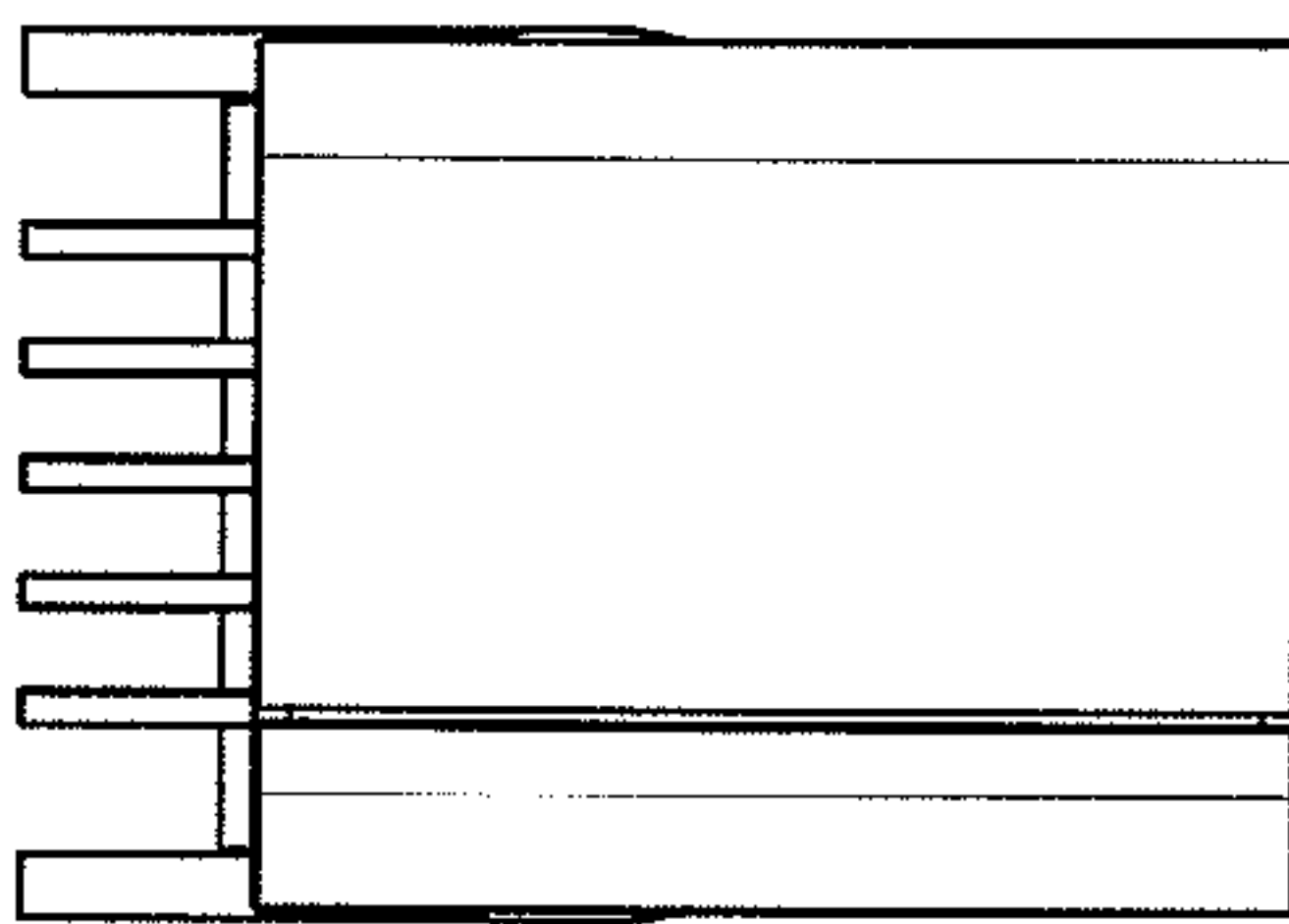


FIG. 41

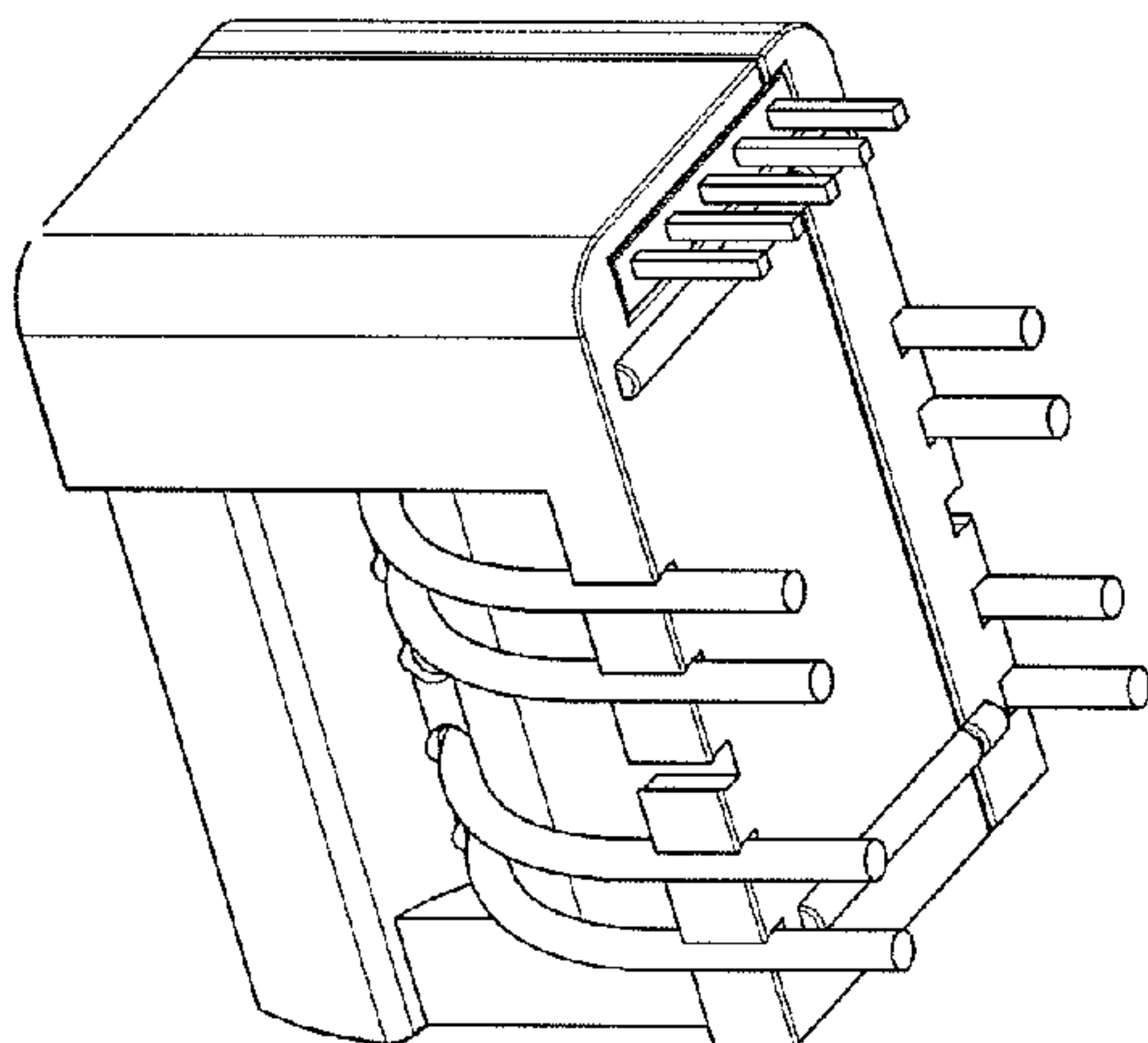


FIG. 42

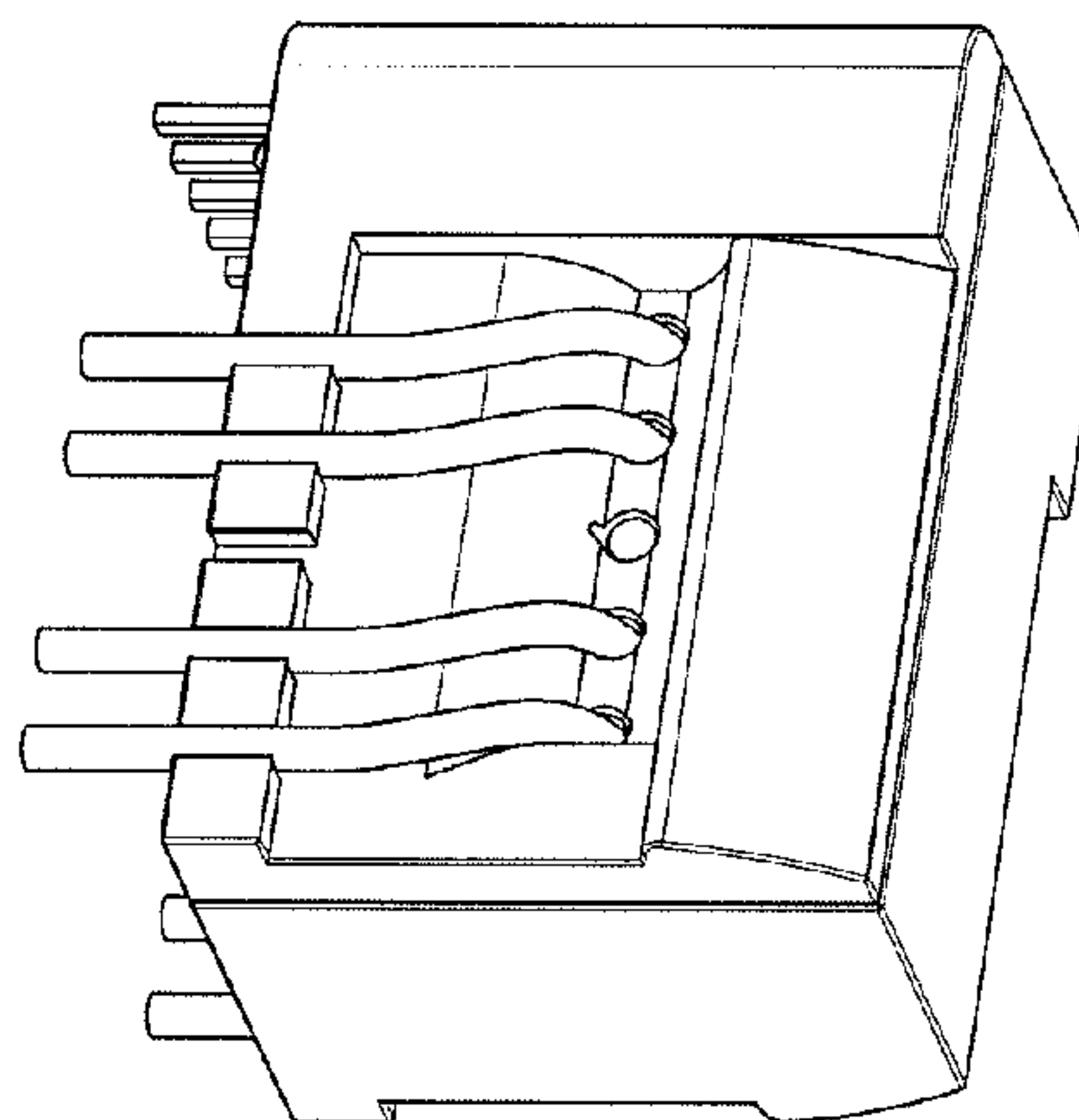


FIG. 43

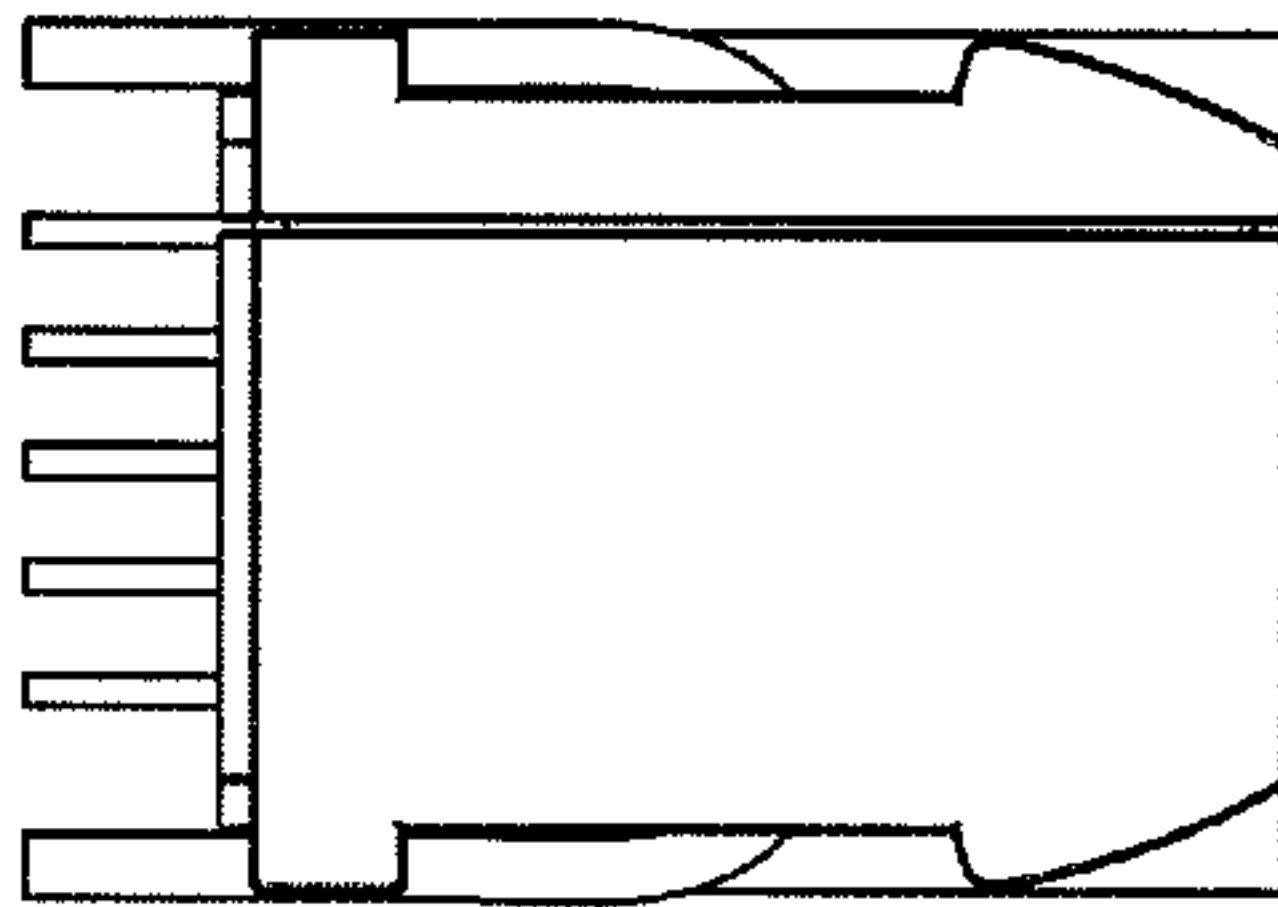


FIG. 44

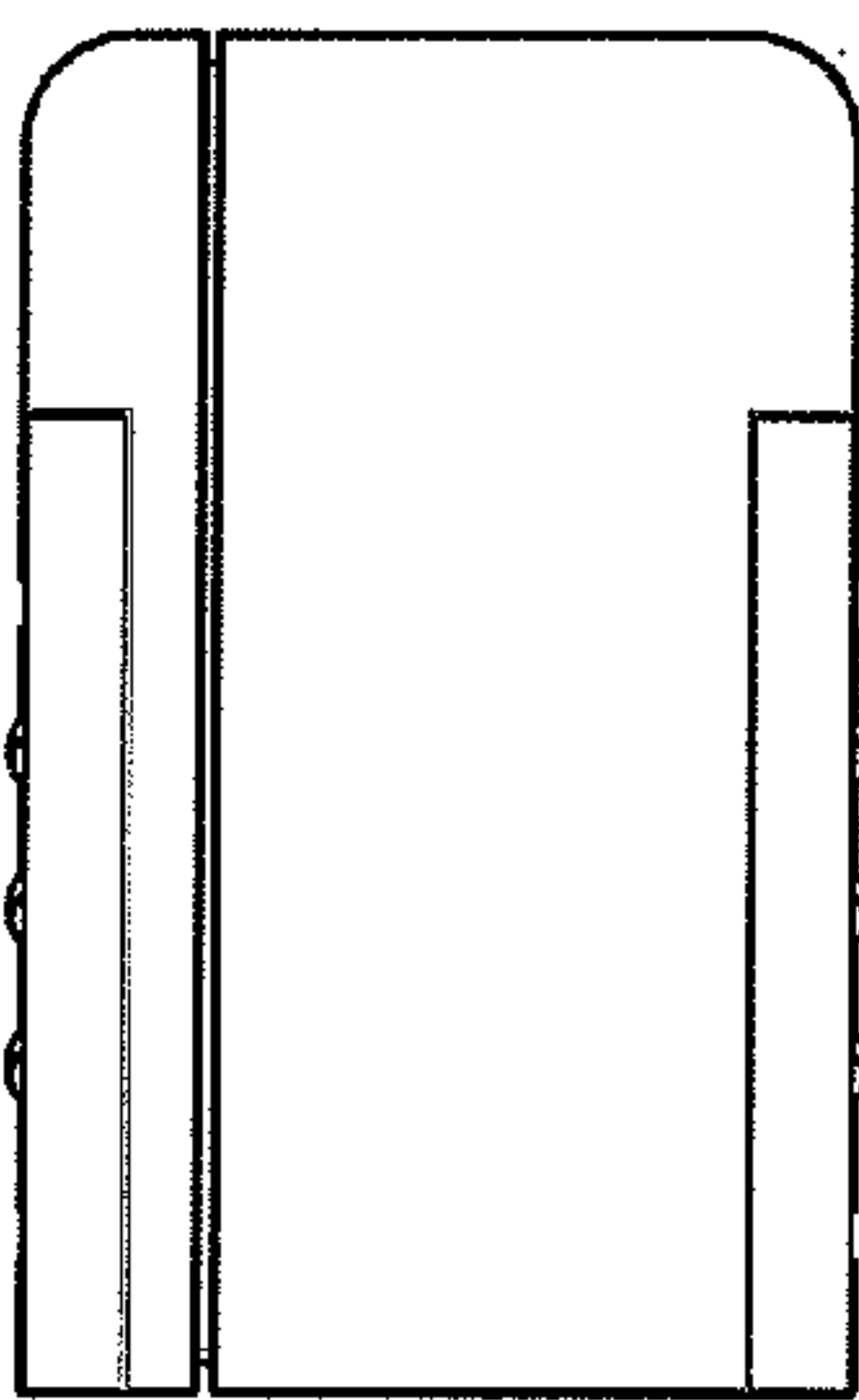


FIG. 45

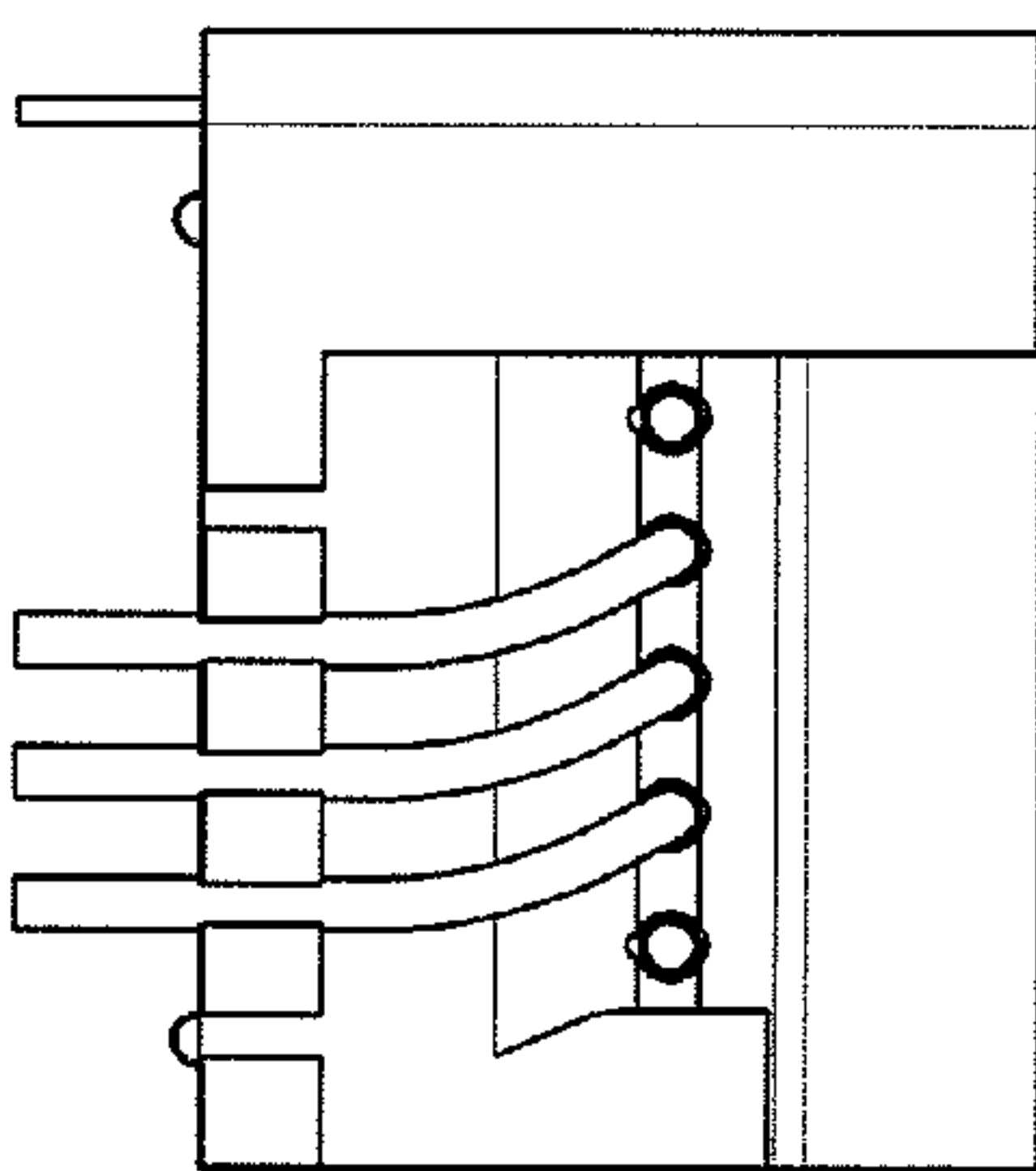


FIG. 46

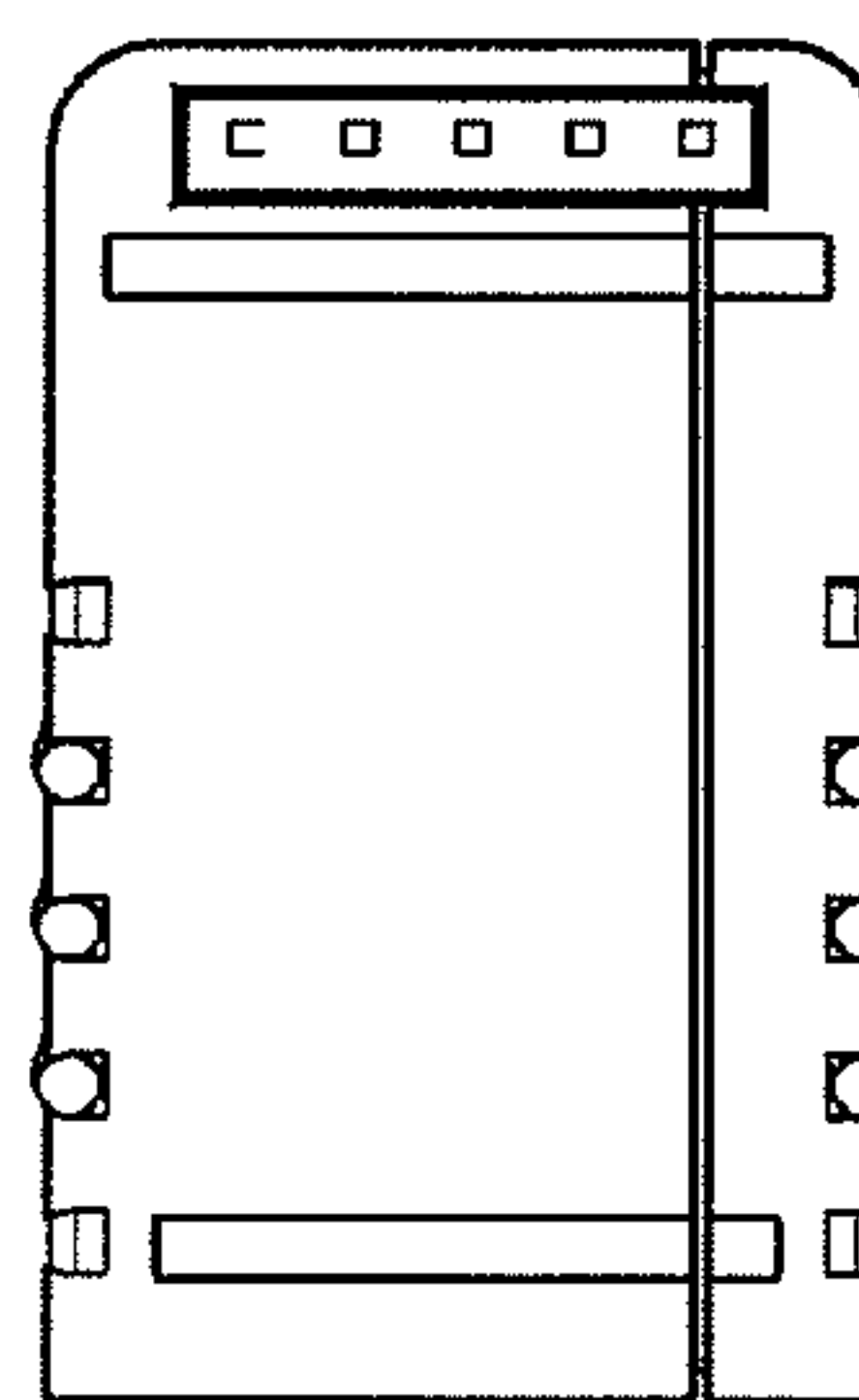


FIG. 47

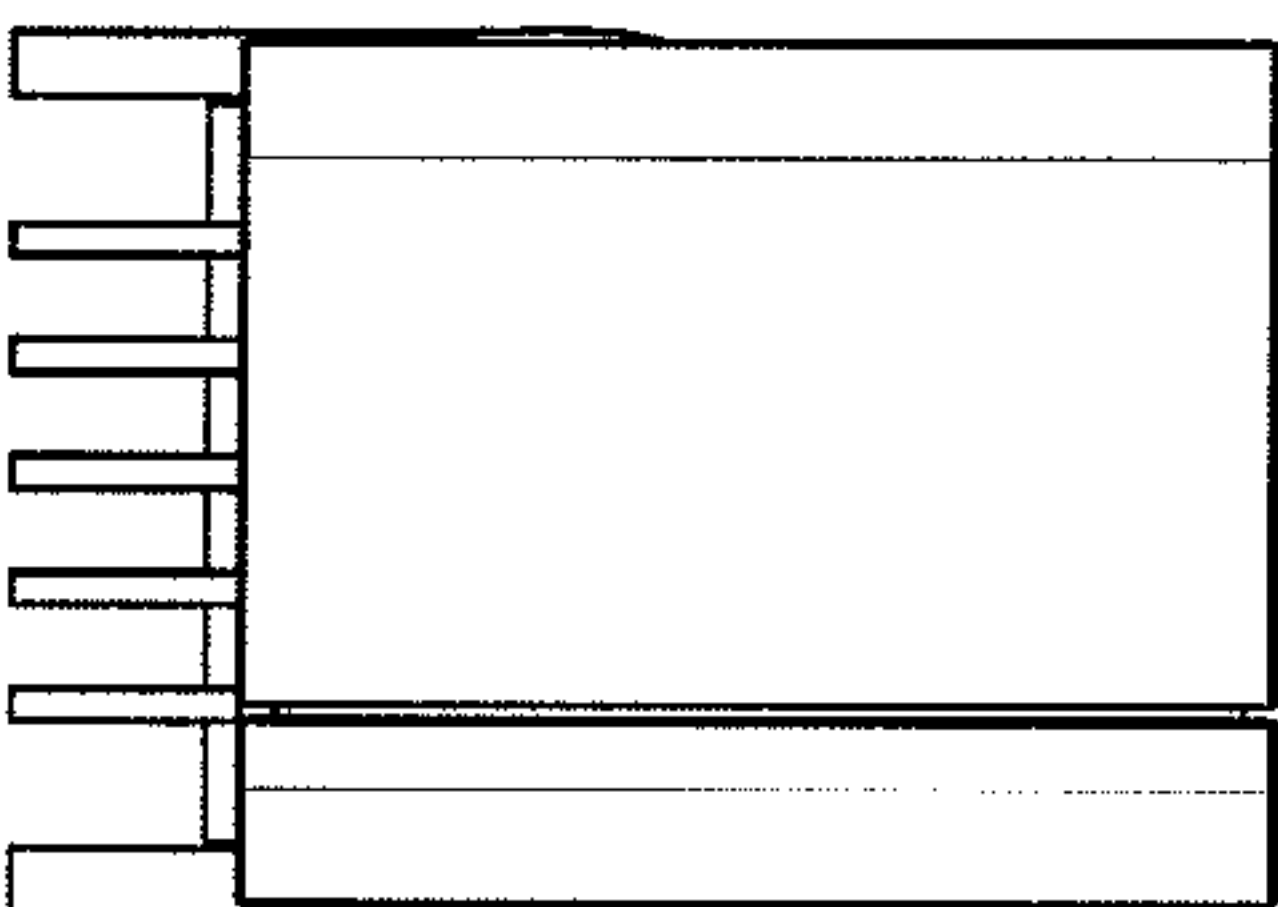


FIG. 49

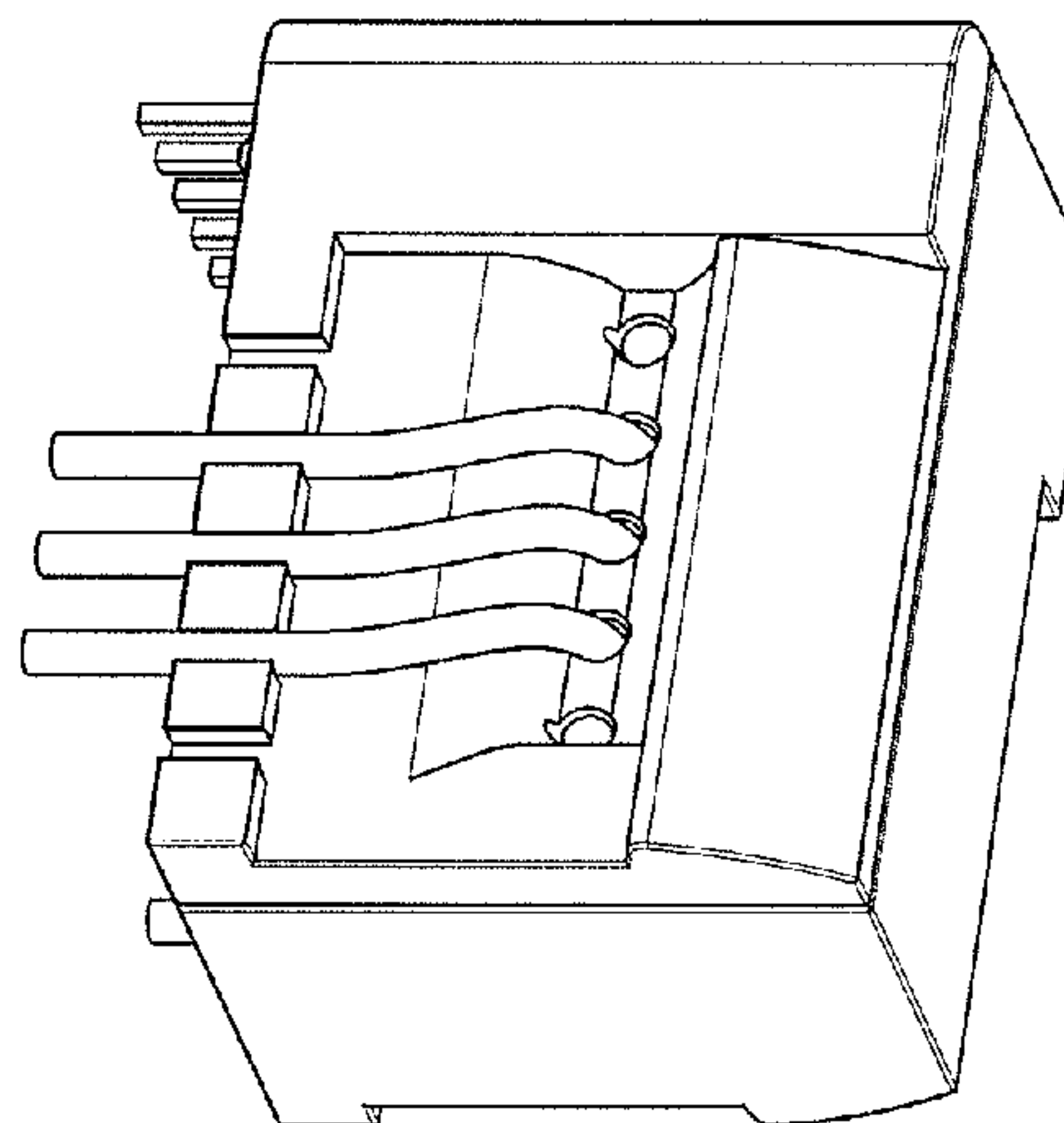


FIG. 48

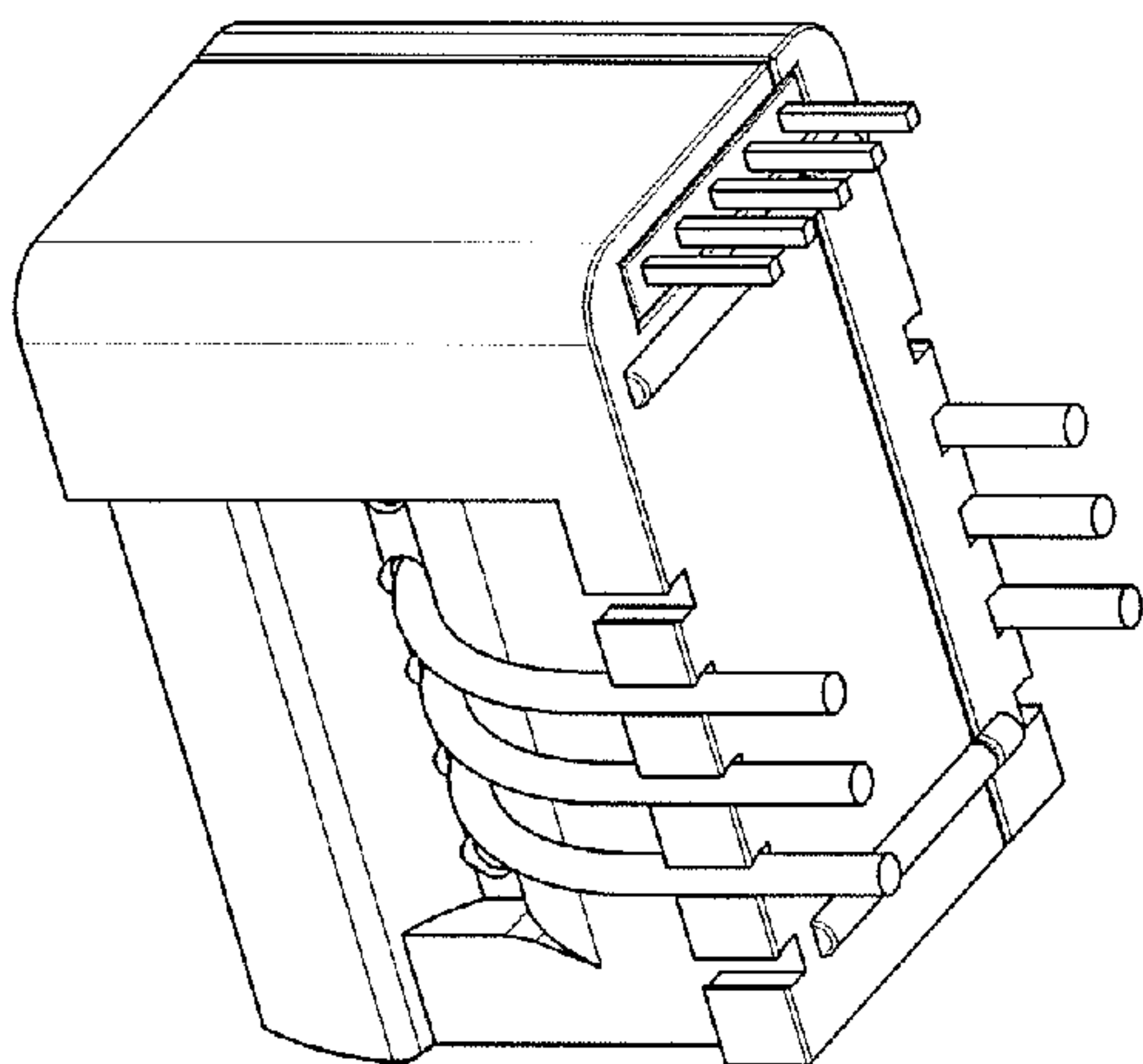


FIG. 50

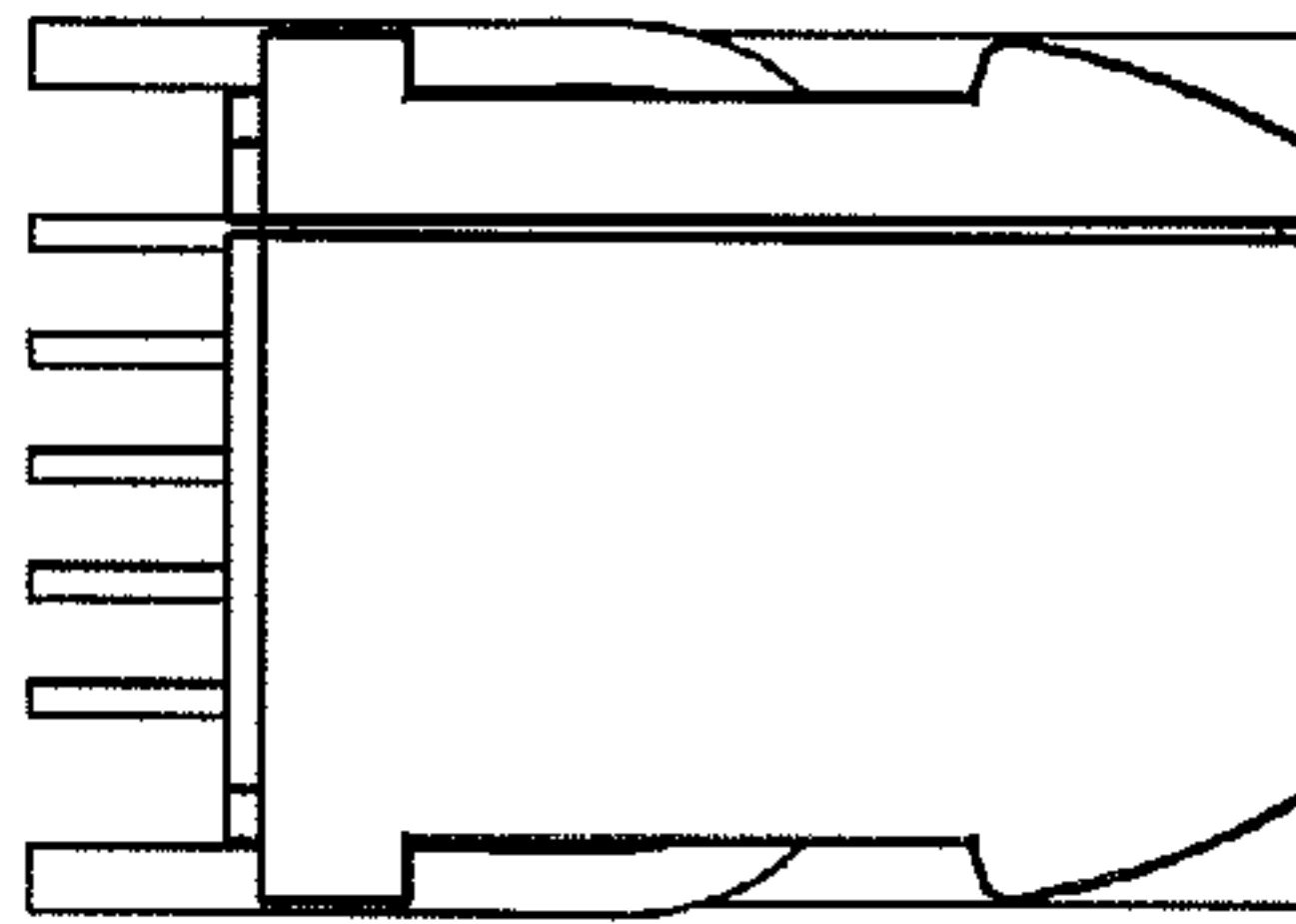


FIG. 51

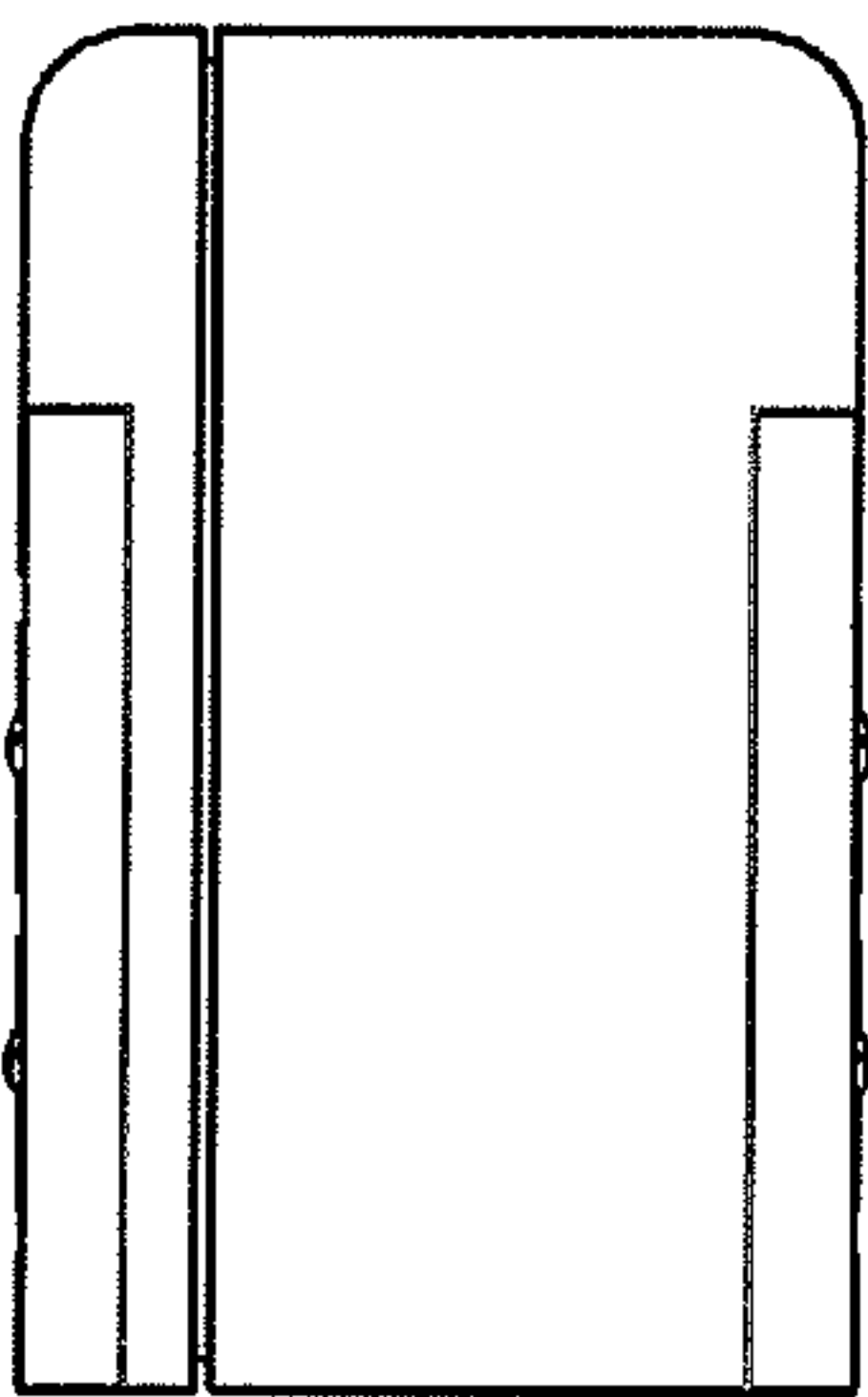


FIG. 52

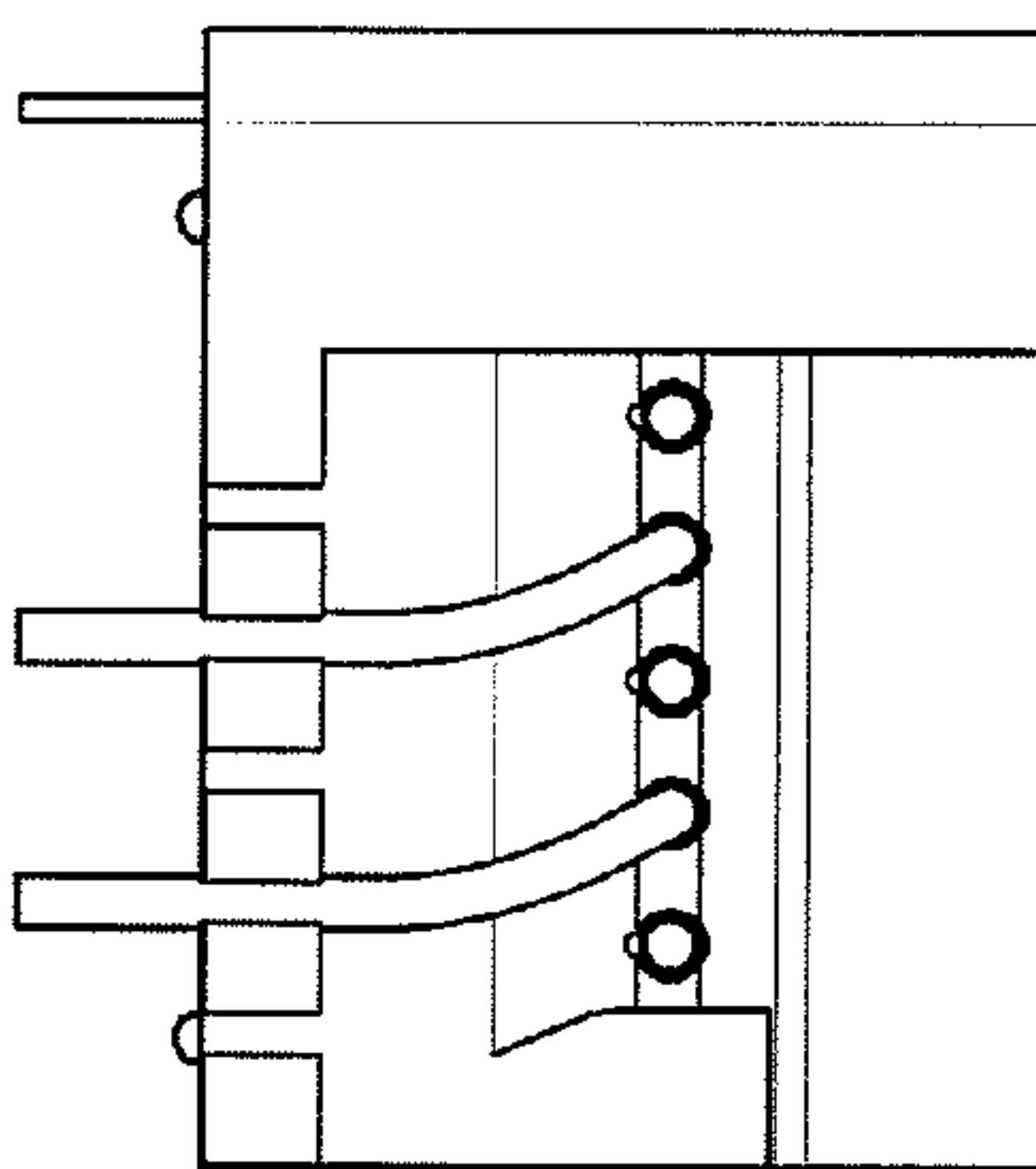


FIG. 53

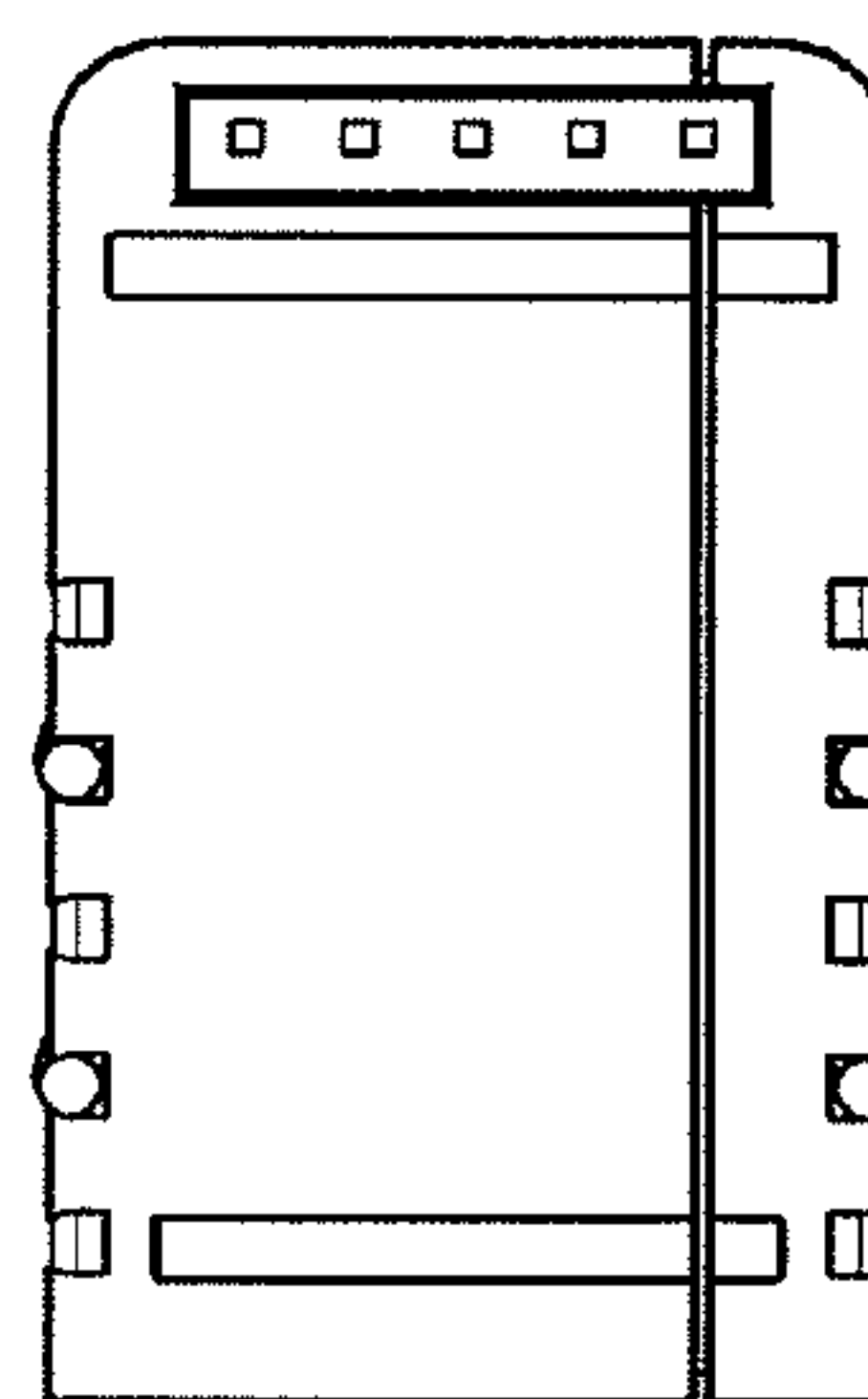


FIG. 54

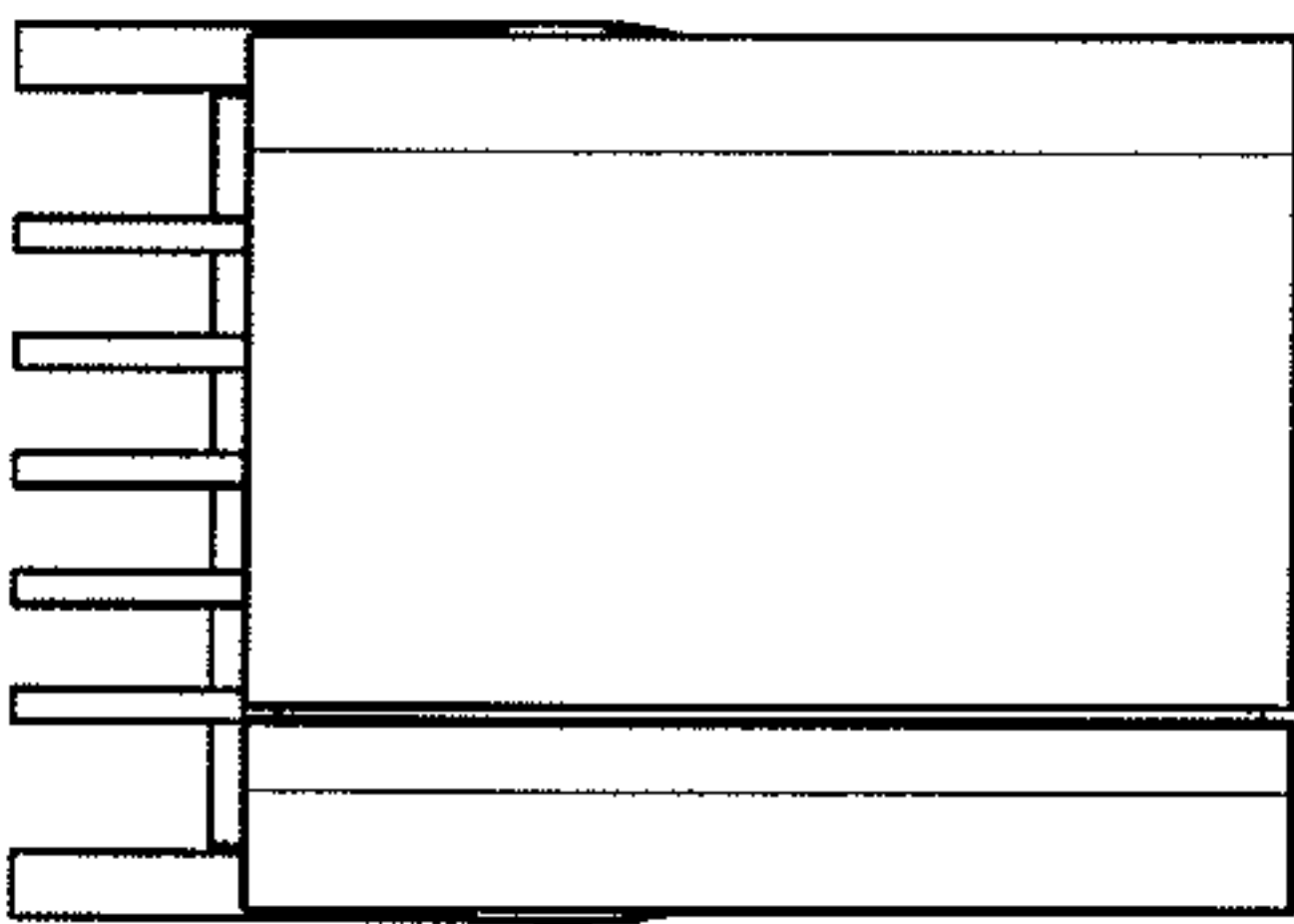


FIG. 56

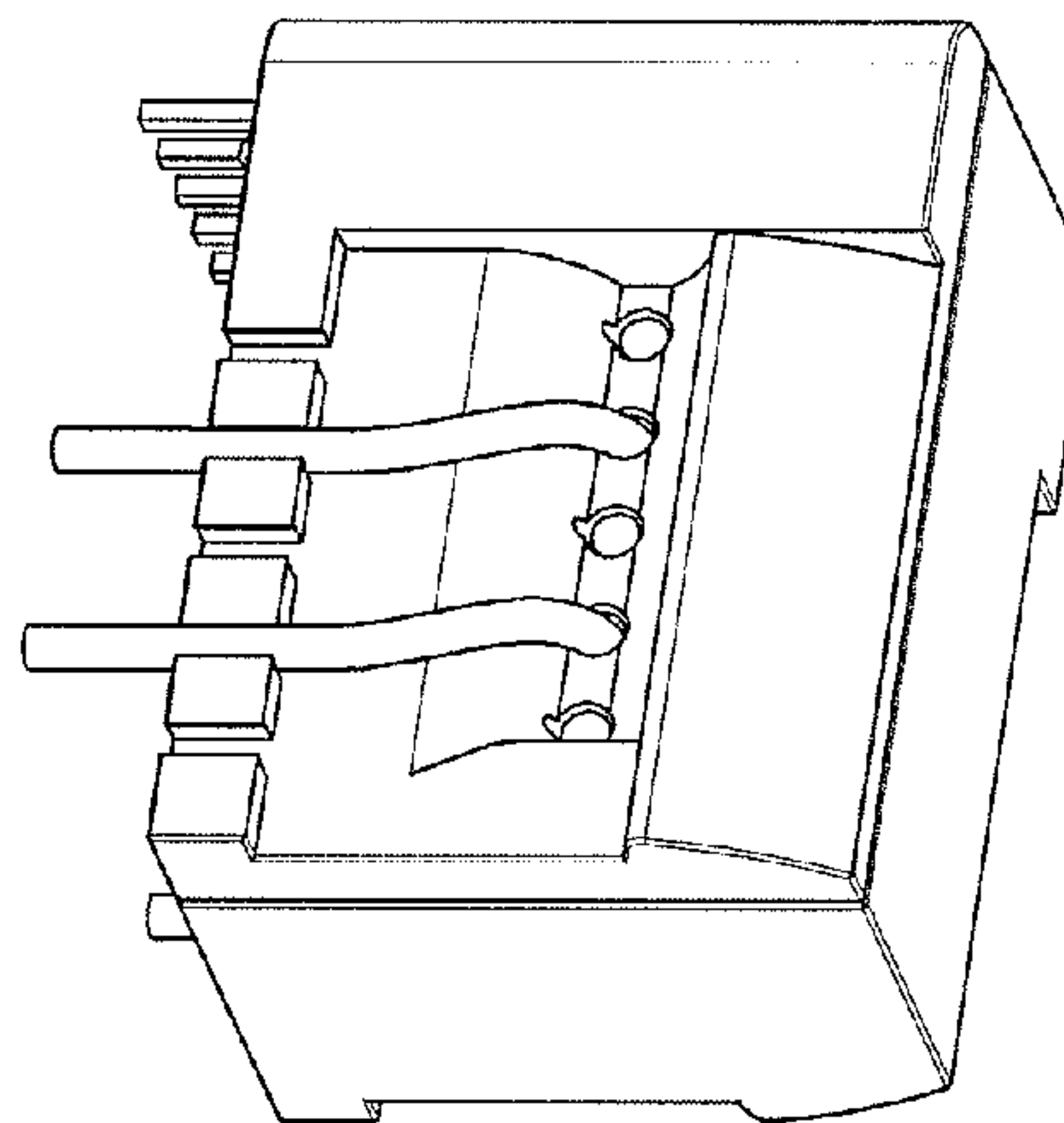


FIG. 55

