



US00D600575S

(12) **United States Design Patent**  
**Janky**

(10) **Patent No.:** **US D600,575 S**

(45) **Date of Patent:** **\*\* Sep. 22, 2009**

(54) **FIBER SOURCE**

D530,233 S \* 10/2006 Janky ..... D10/78  
D580,805 S \* 11/2008 Lagerberg et al. .... D10/78

(75) Inventor: **Sena E. R. Janky**, Sammamish, WA  
(US)

\* cited by examiner

(73) Assignee: **Fluke Corporation**, Everett, WA (US)

*Primary Examiner*—Antoine D Davis

(74) *Attorney, Agent, or Firm*—patenttm.us

(\*\*) Term: **14 Years**

(57) **CLAIM**

(21) Appl. No.: **29/324,627**

I claim the ornamental design for a fiber source, as shown and described.

(22) Filed: **Sep. 16, 2008**

(51) **LOC (9) Cl.** ..... **10-04**

(52) **U.S. Cl.** ..... **D10/78**

(58) **Field of Classification Search** ..... D10/78;  
250/227.14, 227.15; 365/73.1; 385/31, 89,  
385/134, 147

See application file for complete search history.

**DESCRIPTION**

FIG. 1 is a perspective view of the design for a fiber source;

FIG. 2 is a top view of the design of FIG. 1;

FIG. 3 is a right side view of the design of FIG. 1, the left side view being a mirror image thereof;

FIG. 4 is a bottom view of the design of FIG. 1;

FIG. 5 is a front end view of the design of FIG. 1; and,

FIG. 6 is a rear end view of the design of FIG. 1.

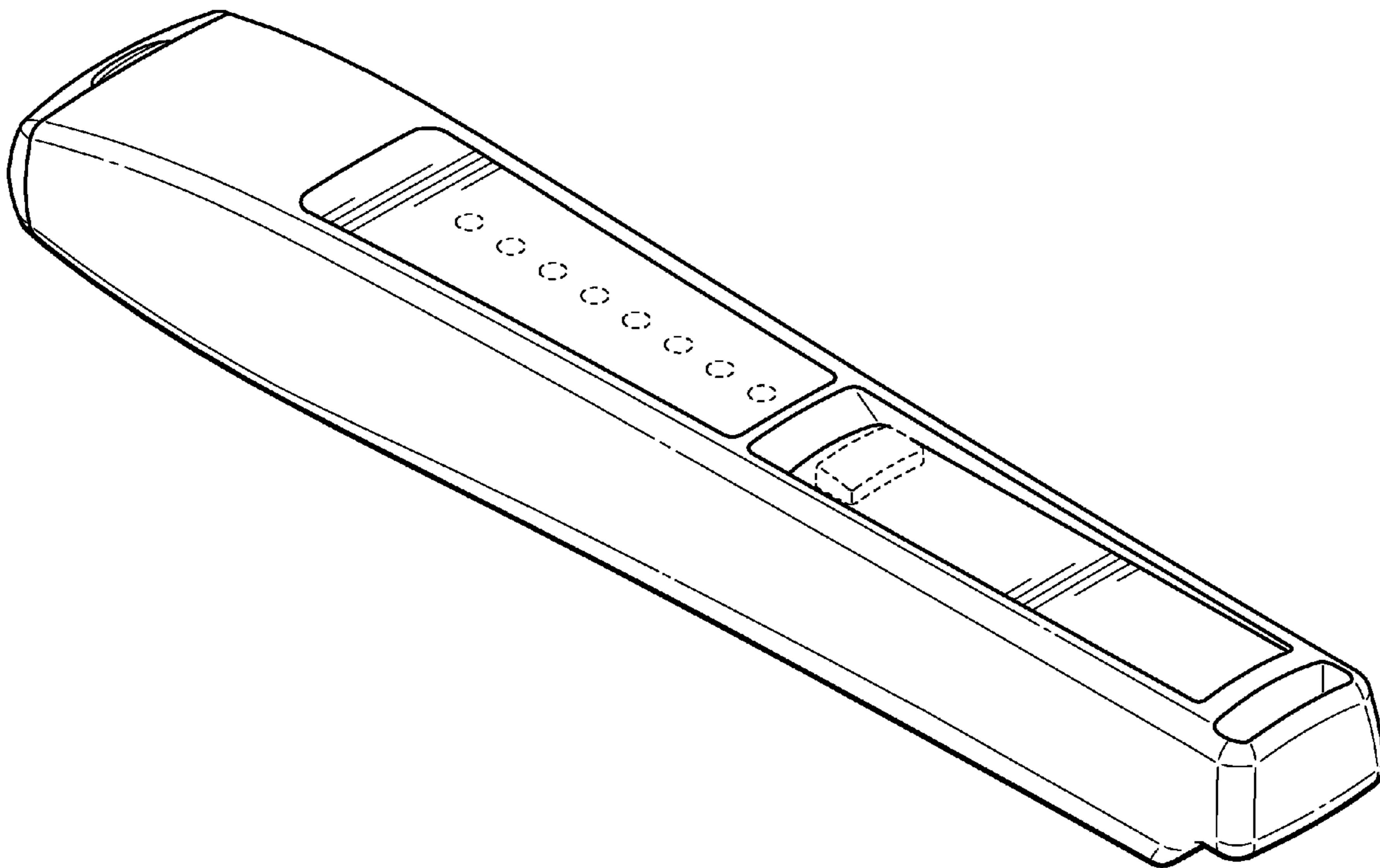
The broken lines showing in FIGS. 1 and 2 are for illustrative purposes only and forms no part of the claimed design.

(56) **References Cited**

**U.S. PATENT DOCUMENTS**

D446,736 S \* 8/2001 Chen ..... D10/78  
D497,817 S \* 11/2004 Lord ..... D10/78  
D518,397 S \* 4/2006 Sydlowski et al. .... D10/78  
D520,888 S \* 5/2006 Sydlowski et al. .... D10/78

**1 Claim, 2 Drawing Sheets**



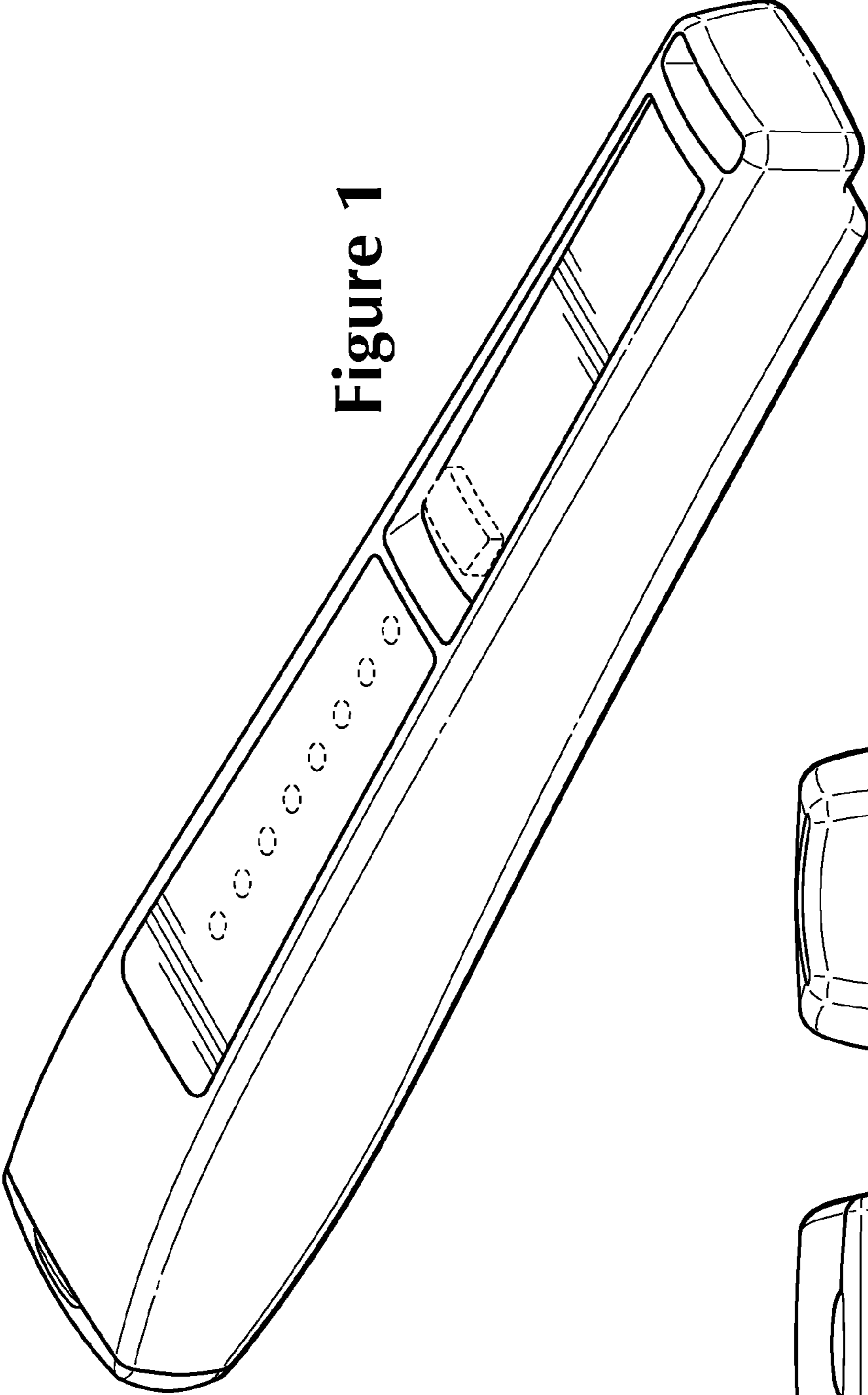


Figure 1

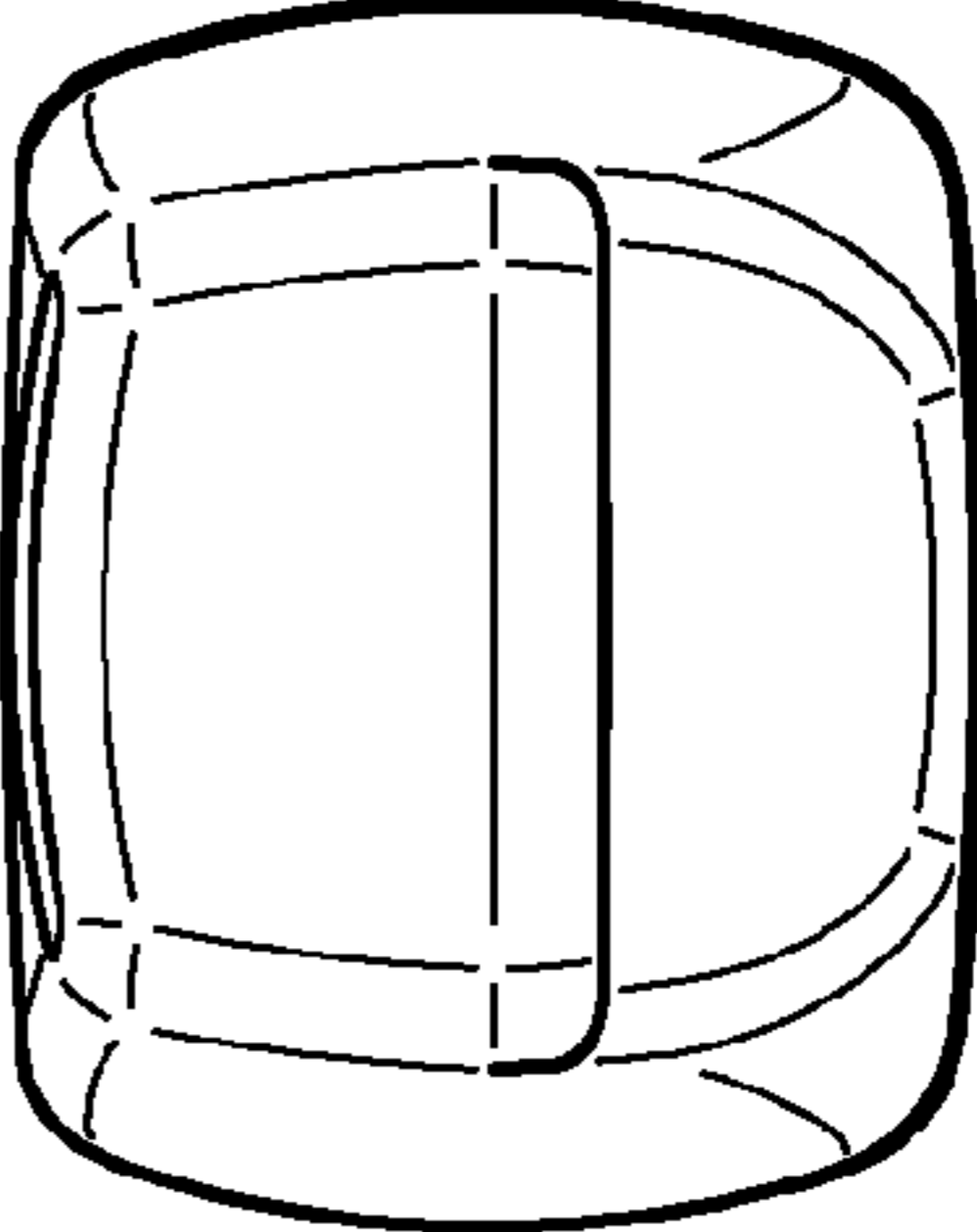


Figure 6

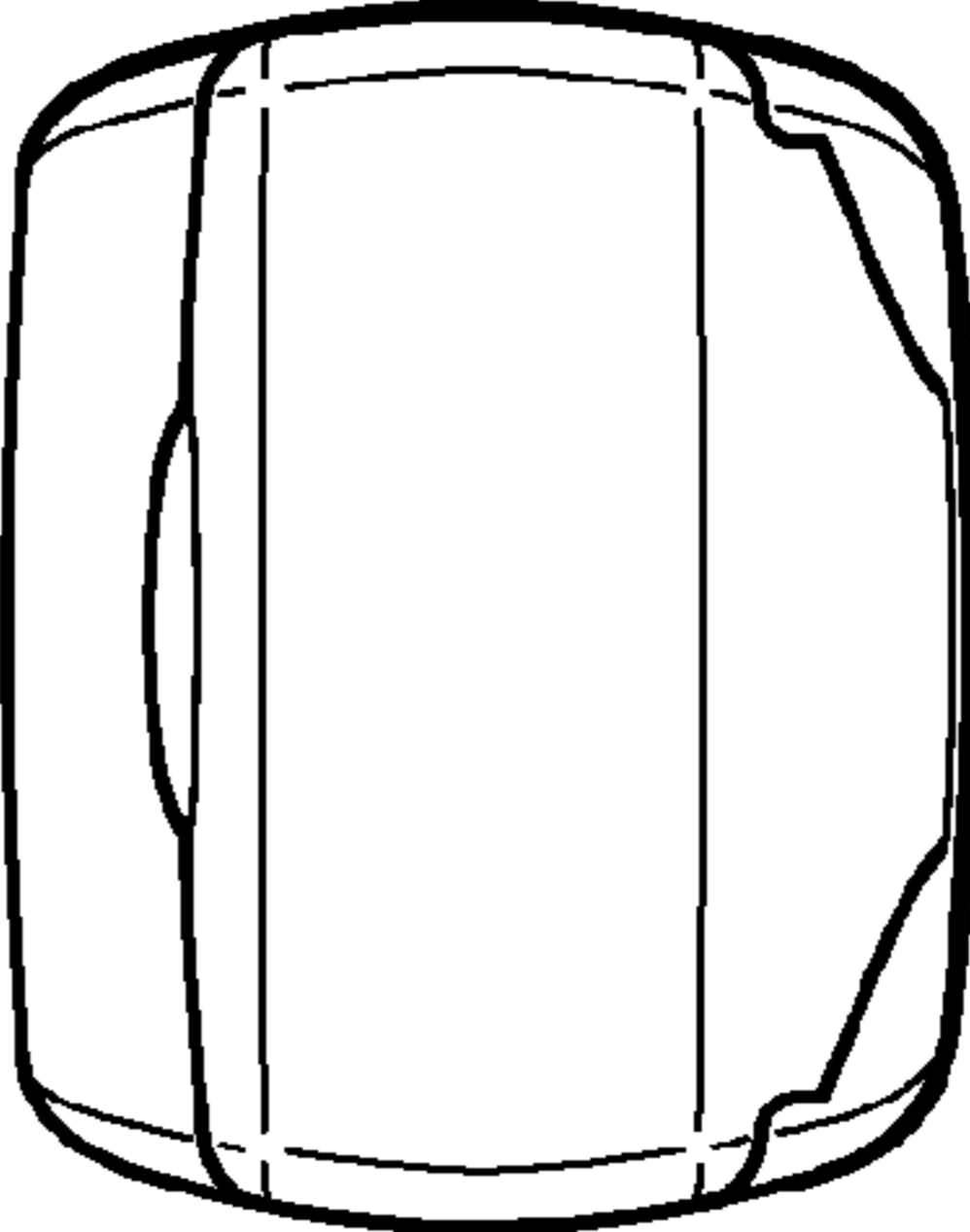


Figure 5

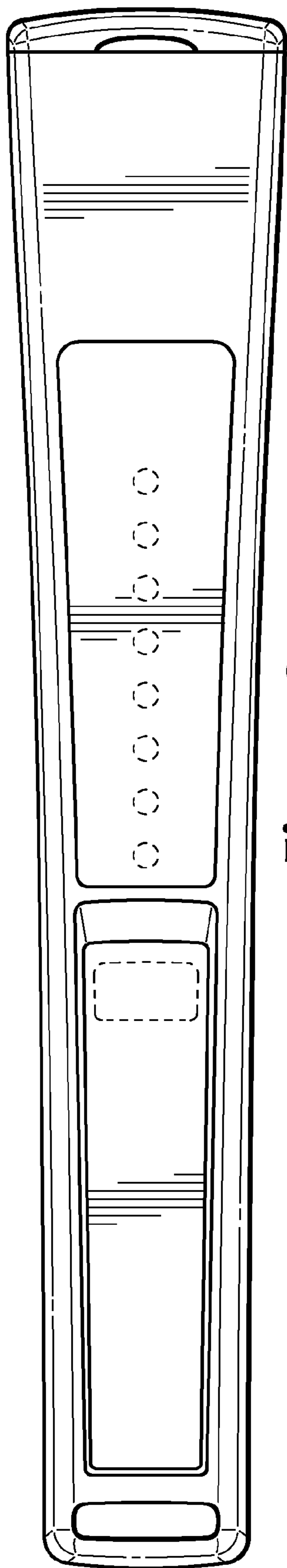


Figure 2

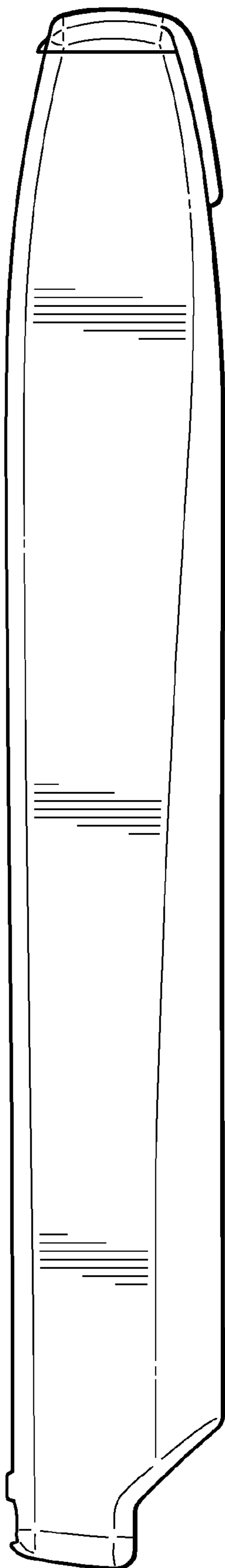


Figure 3

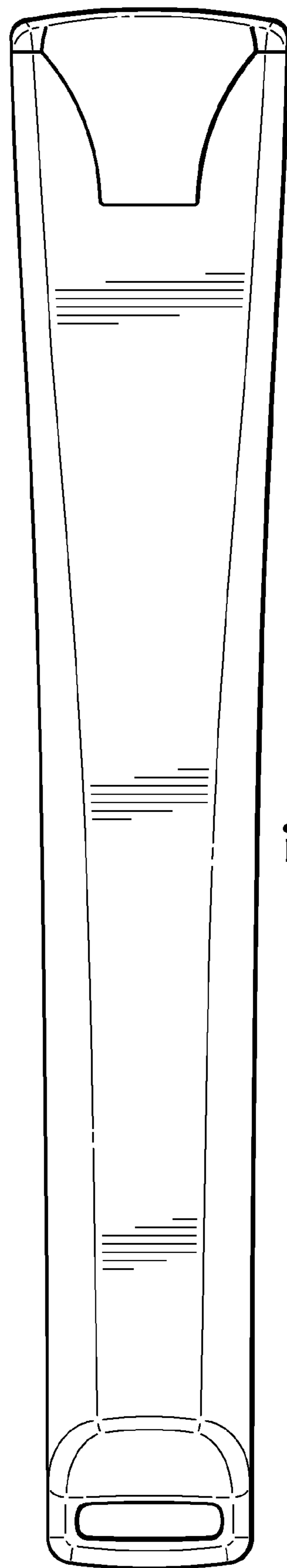


Figure 4